

US00D507245S

(12) **United States Design Patent**
Savicki, Jr. et al.

(10) **Patent No.: US D507,245 S**
(45) **Date of Patent: ** Jul. 12, 2005**

(54) **ELECTRICAL DEVICE**

(75) Inventors: **Gerald R. Savicki, Jr.**, Canastota, NY (US); **Kenneth D. Vought**, Syracuse, NY (US); **Yann Kulp**, Liverpool, NY (US)

(73) Assignee: **Pass & Seymar, Inc.**, Syracuse, NY (US)

(**) Term: **14 Years**

(21) Appl. No.: **29/213,073**

(22) Filed: **Sep. 13, 2004**

Related U.S. Application Data

(60) Division of application No. 29/198,262, filed on Jan. 27, 2004, and a continuation of application No. 10/726,137, filed on Dec. 2, 2003, and a continuation of application No. 10/726,128, filed on Dec. 2, 2003.

(51) **LOC (8) Cl.** **13-03**

(52) **U.S. Cl.** **D13/169**

(58) **Field of Search** D13/169, 170, D13/171, 174, 177, 164, 139.1, 139; D8/350, 353; 200/1 R, 6 R, 5 A, 5 R, 296, 302.3, 315, 330, 334, 339, 341, 520, 525, 553; 335/205; 439/491, 535

(56) **References Cited**

U.S. PATENT DOCUMENTS

D210,590 S * 3/1968 Edmission D8/353

3,432,611 A	*	3/1969	Gaines et al.	174/66
4,221,941 A	*	9/1980	Genovese	200/457
4,242,551 A	*	12/1980	Sorenson	200/302.3
D302,546 S	*	8/1989	Ellis, Jr.	D13/164
D331,742 S	*	12/1992	Fujiyoshi	D13/169
5,414,231 A	*	5/1995	Sato et al.	200/1 R
D394,042 S	*	5/1998	Hwang	D13/171
5,783,787 A	*	7/1998	Data	200/5 R
5,895,888 A	*	4/1999	Arenas et al.	174/66
6,309,248 B1	*	10/2001	King	439/535
D472,525 S	*	4/2003	Barone	D13/169
6,586,694 B2	*	7/2003	Shotey et al.	200/333

* cited by examiner

Primary Examiner—Stella Reid
Assistant Examiner—Selina Sikder
(74) *Attorney, Agent, or Firm*—William Greener; Bond, Schoeneck & King PLLC

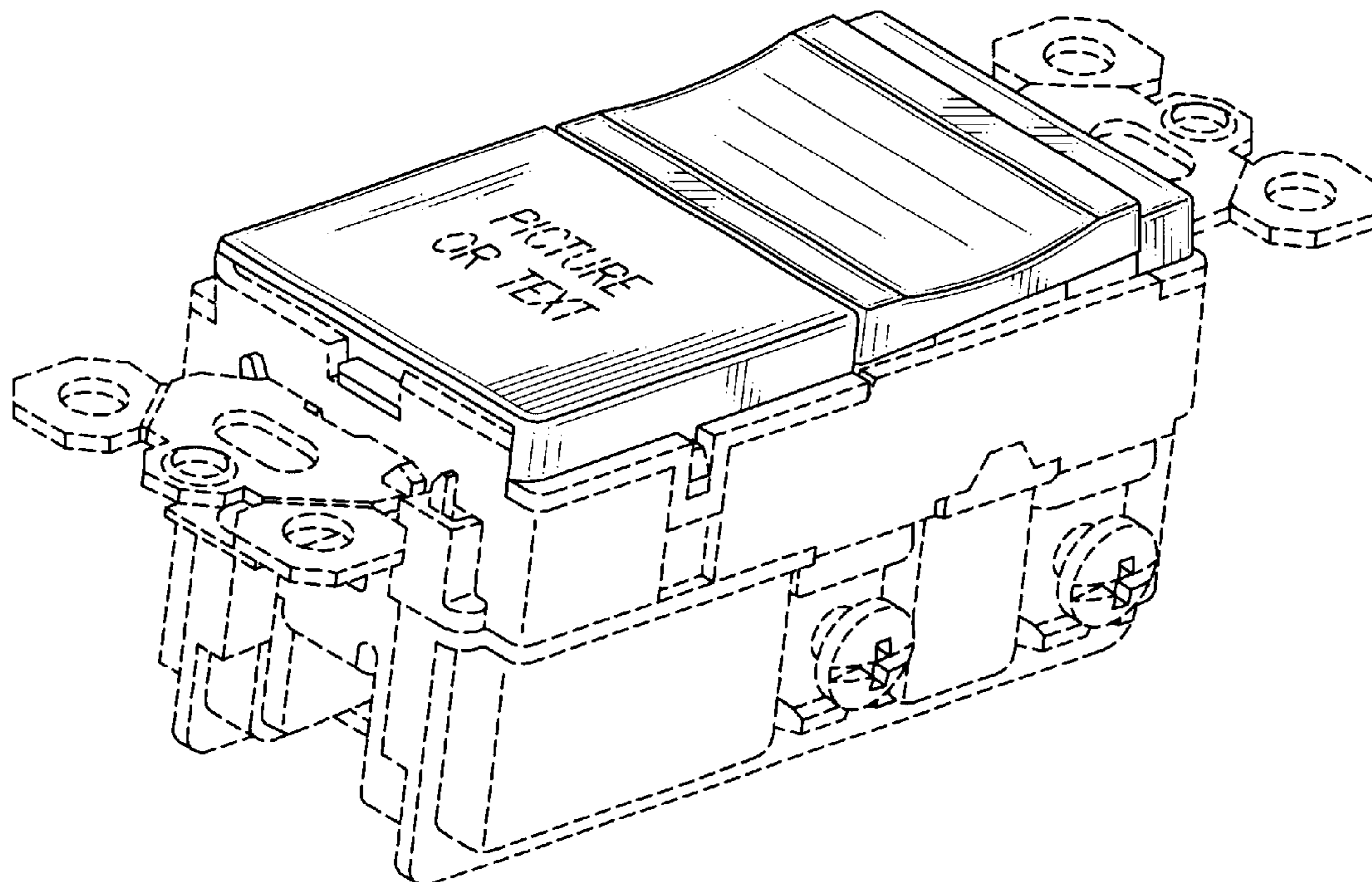
(57) **CLAIM**

The ornamental design for an electrical device, as shown and described.

DESCRIPTION

FIG. 1 is a perspective view of an electrical device showing our new design; and, FIG. 2 is a front elevation view of the electrical device. In FIGS. 1 and 2, the broken line illustrations of the environmental structure form no part of the claimed invention.

1 Claim, 1 Drawing Sheet



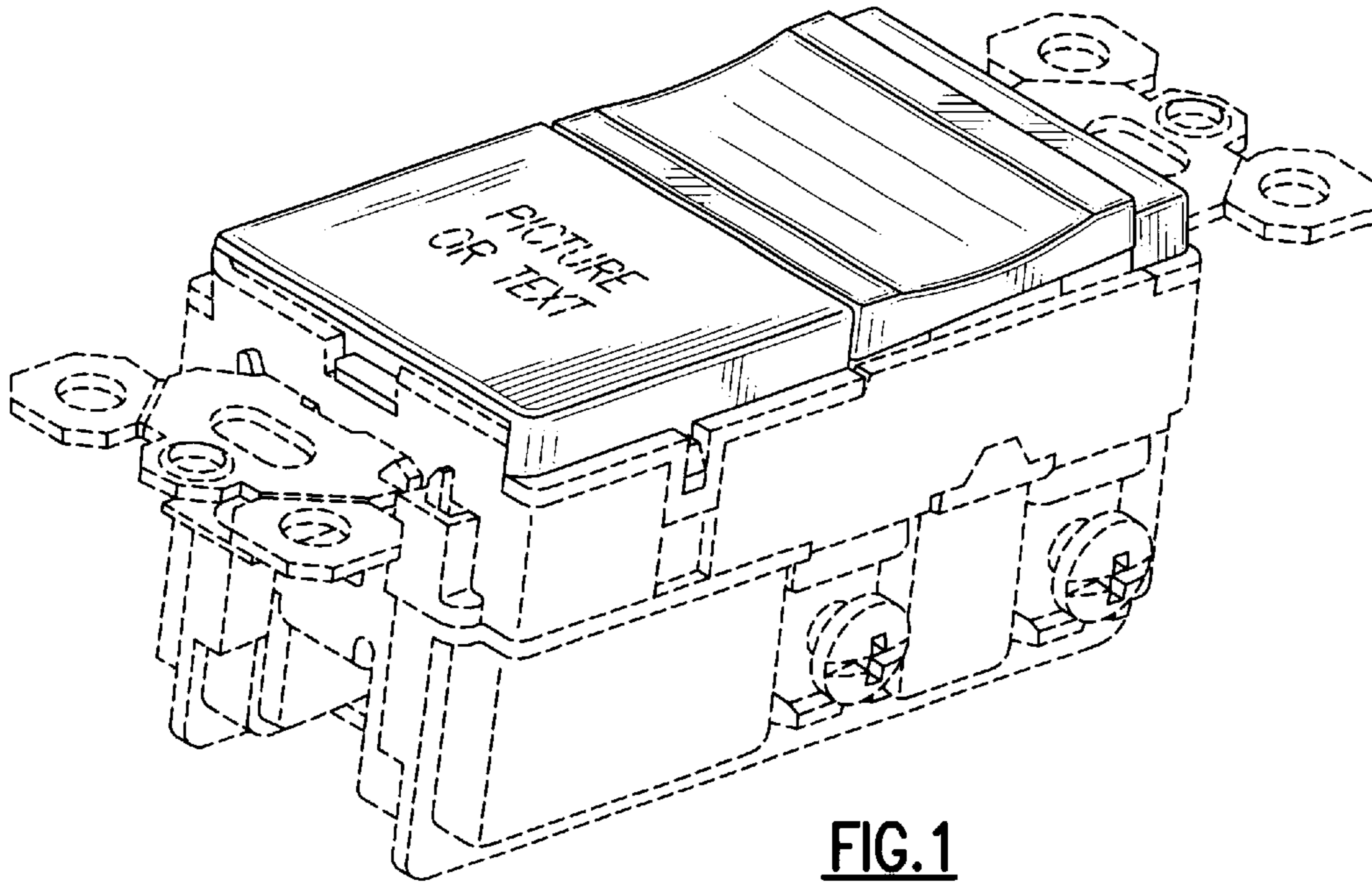


FIG. 1

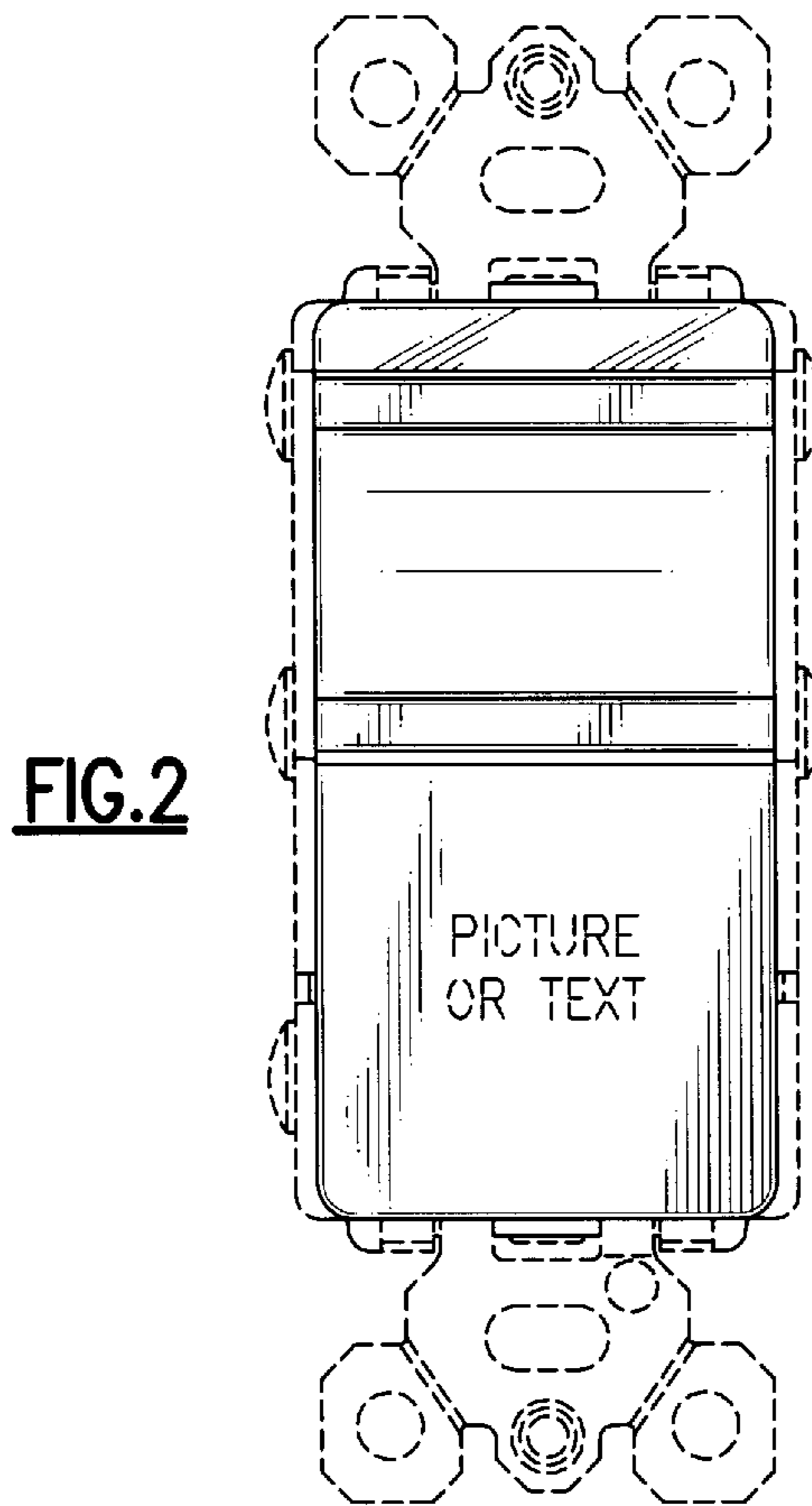


FIG. 2

UNITED STATES PATENT AND TRADEMARK OFFICE
CERTIFICATE OF CORRECTION

PATENT NO. : Des. 507,245 S
DATED : July 12, 2005
INVENTOR(S) : Savicki, Jr. et al.

Page 1 of 1

It is certified that error appears in the above-identified patent and that said Letters Patent is hereby corrected as shown below:

Title page.

Item [73], Assignee, should be -- **Pass & Seymour, Inc.** --.

Signed and Sealed this

Sixth Day of September, 2005

A handwritten signature in black ink on a light gray dotted background. The signature reads "Jon W. Dudas" in a cursive style.

JON W. DUDAS

Director of the United States Patent and Trademark Office