

US00D507244S

(12) **United States Design Patent**
Mayo et al.

(10) **Patent No.: US D507,244 S**
(45) **Date of Patent: ** Jul. 12, 2005**

(54) **INFRARED HAND-HELD REMOTE CONTROL**

(75) Inventors: **Noel Mayo**, Philadelphia, PA (US); **Joel S. Spira**, Coopersburg, PA (US); **Jason Killo**, Emmaus, PA (US)

(73) Assignee: **Lutron Electronics Co., Inc.**, Coopersburg, PA (US)

(**) Term: **14 Years**

(21) Appl. No.: **29/216,249**

(22) Filed: **Oct. 29, 2004**

Related U.S. Application Data

(62) Division of application No. 29/197,602, filed on Jan. 16, 2004, which is a division of application No. 29/168,047, filed on Sep. 25, 2002, now Pat. No. Des. 485,534, which is a division of application No. 29/141,438, filed on May 7, 2001, now Pat. No. Des. 462,332.

(51) **LOC (8) Cl. 13-03**

(52) **U.S. Cl. D13/168**

(58) **Field of Search** D13/162, 164, D13/168, 177; D8/353; D10/104, 106; D14/218, 155; 340/525, 825.22, 825.56, 825.69, 825.72, 988; 341/176; 348/734; 455/90.1, 151.1-151.4, 352-355

(56) **References Cited**

U.S. PATENT DOCUMENTS

D271,201 S 11/1983 Nordberg

D300,530 S	4/1989	Stagnitta
4,856,081 A	8/1989	Smith
D308,380 S	6/1990	Shim
D314,383 S	2/1991	Hafner
D331,760 S	12/1992	Renk, Jr.
D354,490 S	1/1995	Darbee et al.
5,481,256 A	1/1996	Darbee et al.
D368,263 S	3/1996	Hendricks
D370,663 S	6/1996	Swain et al.
D382,271 S	8/1997	Akwivu
D432,525 S	10/2000	Beecroft
D462,332 S	9/2002	Mayo et al.
6,587,067 B2	7/2003	Darbee et al.
D485,534 S	1/2004	Mayo et al.

Primary Examiner—Stella Reid

Assistant Examiner—Selina Sikder

(74) *Attorney, Agent, or Firm*—Ostrolenk, Faber, Gerb & Soffen, LLP

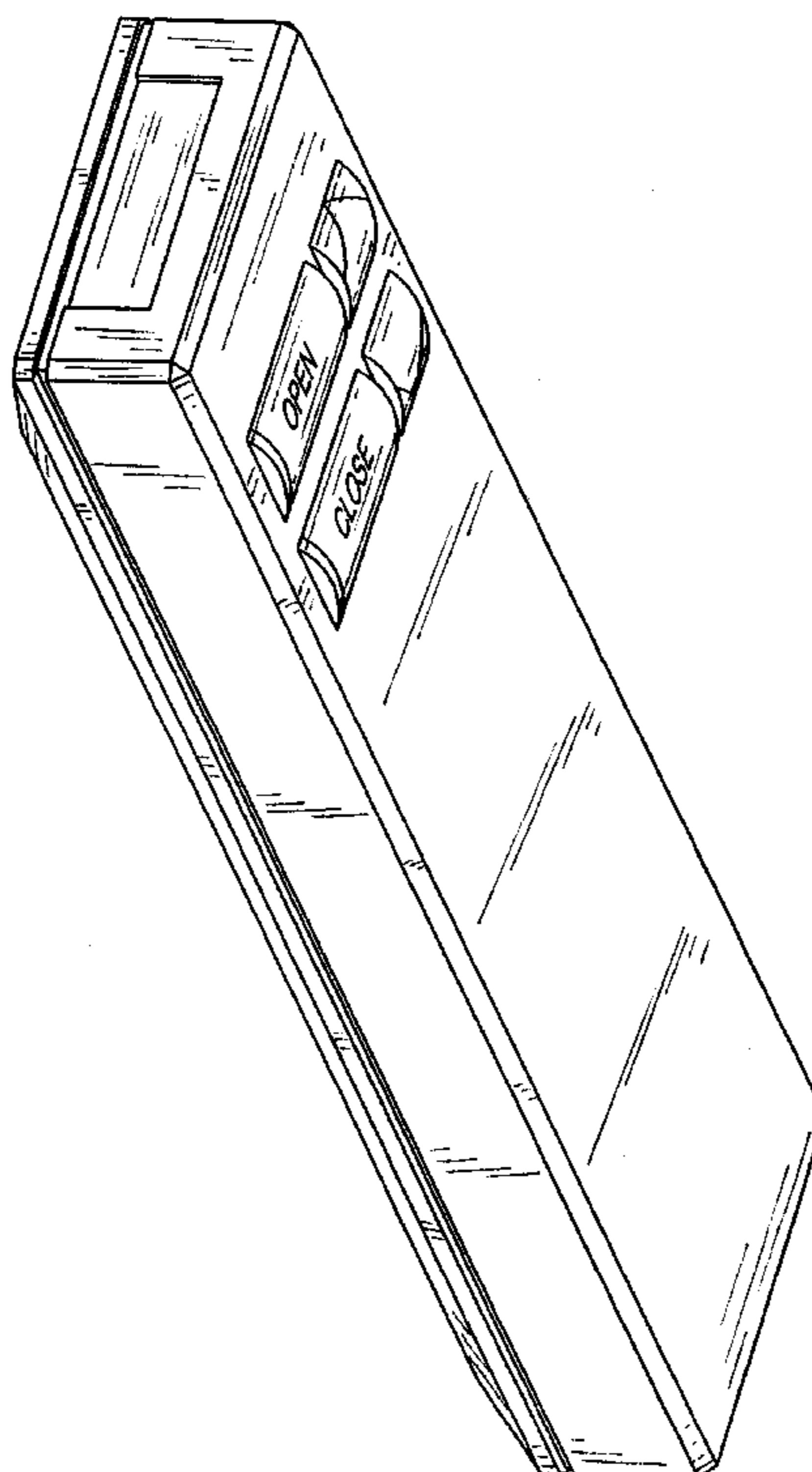
(57) **CLAIM**

The ornamental design for infrared hand-held remote control, as shown and described.

DESCRIPTION

FIG. 1 shows a perspective view of the invention; FIG. 2 is a front elevational view thereof; FIG. 3 is a rear elevational view thereof; FIG. 4 is a top plan view thereof; FIG. 5 is a bottom plan view thereof; FIG. 6 is a left-side elevational view thereof; and, FIG. 7 is a right-side elevational view.

1 Claim, 4 Drawing Sheets



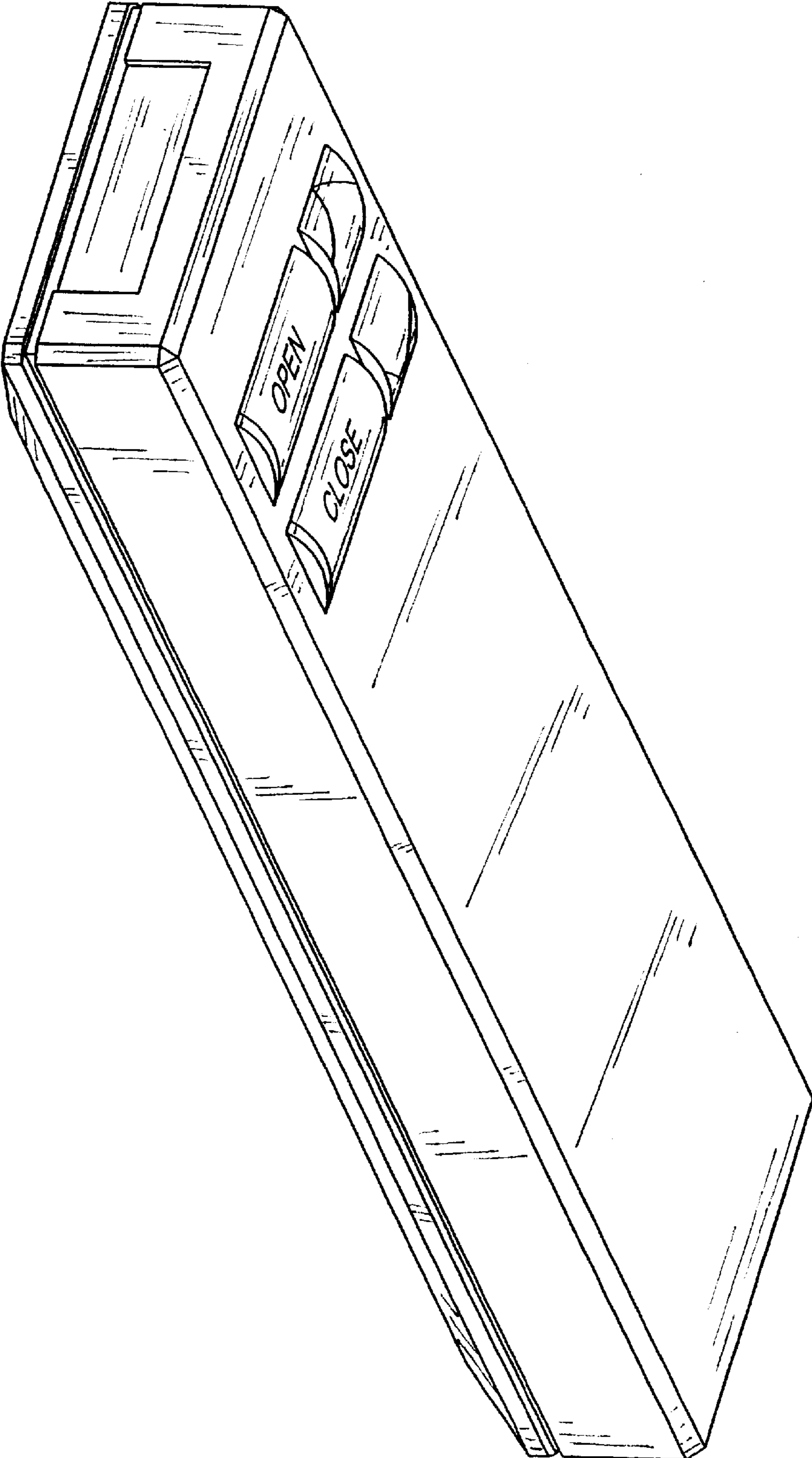


Fig. 1

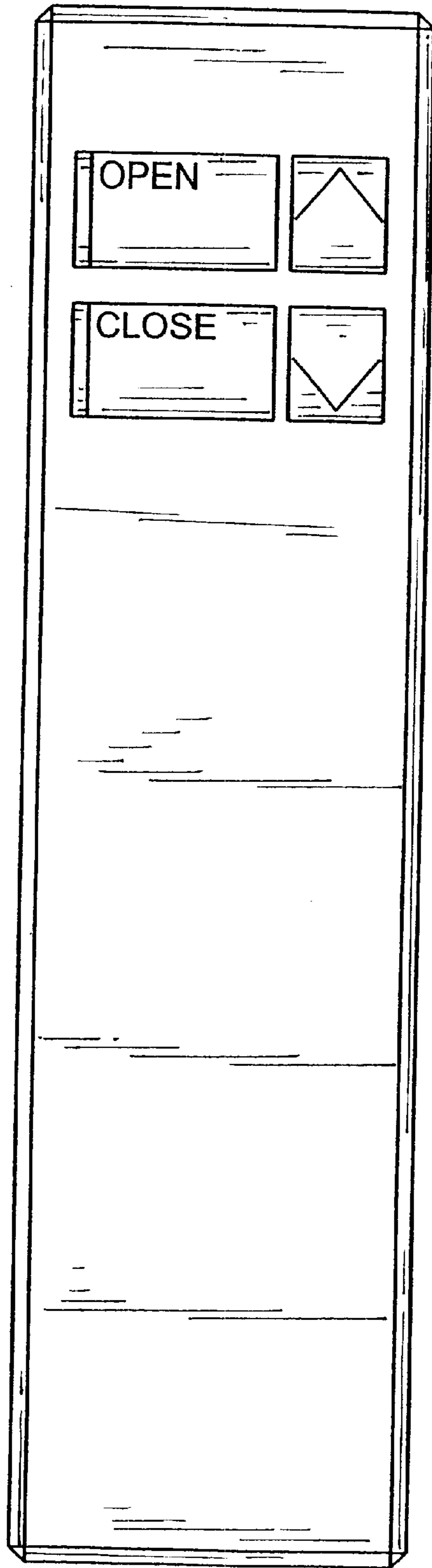


Fig. 2



Fig. 4



Fig. 5

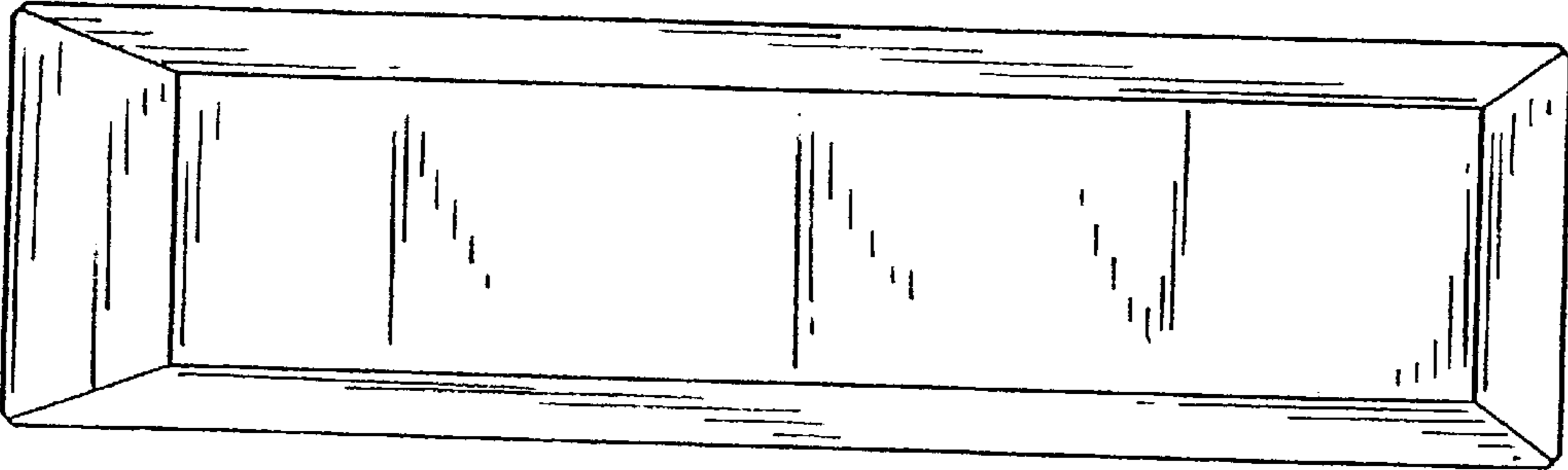


Fig. 3

Fig. 7

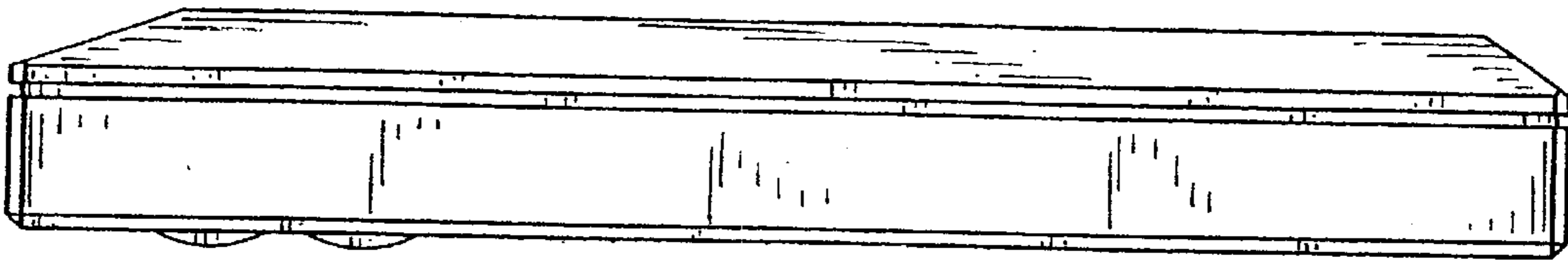


Fig. 6

