

US00D507241S

(12) **United States Design Patent**  
**Koessler**

(10) **Patent No.:** **US D507,241 S**  
(45) **Date of Patent:** **\*\* Jul. 12, 2005**

(54) **JUNCTION BOX**

(76) **Inventor:** **Juergen Koessler**, 902 - 1736 West  
10th Avenue, Vancouver, British  
Columbia (CA), V6J 2A6

(\*\*) **Term:** **14 Years**

(21) **Appl. No.:** **29/165,932**

(22) **Filed:** **Aug. 21, 2002**

(51) **LOC (8) Cl.** ..... **13-03**

(52) **U.S. Cl.** ..... **D13/152**

(58) **Field of Search** ..... D13/152, 184;  
D14/240; 220/3.8; 361/658; 174/50, 65 R

(56) **References Cited**

**U.S. PATENT DOCUMENTS**

D297,136 S	*	8/1988	Collins et al.	.....	D14/240
D312,460 S	*	11/1990	Smith	.....	D14/240
D335,650 S	*	5/1993	Powell et al.	.....	D13/152
D349,687 S	*	8/1994	Khoo et al.	.....	D13/162
D360,620 S	*	7/1995	Gehrs et al.	.....	D13/184
D367,646 S	*	3/1996	Schneider et al.	.....	D13/152
D385,850 S	*	11/1997	DiMichele	.....	D13/152
D399,190 S	*	10/1998	Dale et al.	.....	D13/184
5,959,250 A	*	9/1999	Daoud	.....	174/65 R
D463,412 S	*	9/2002	Bloemen	.....	D14/240

\* cited by examiner

*Primary Examiner*—Holly Baynham  
*Assistant Examiner*—Cynthia M. Chin

(74) *Attorney, Agent, or Firm*—Oyen Wiggs Green & Mutala

(57) **CLAIM**

The ornamental design for a junction box, as shown and described.

**DESCRIPTION**

FIG. 1 is an isometric view of the junction box in a closed configuration;

FIG. 2 is a different isometric view thereof;

FIG. 3 is a front elevation view thereof;

FIG. 4 is a rear elevation view thereof;

FIG. 5 is a top plan view thereof;

FIG. 6 is a bottom plan view thereof;

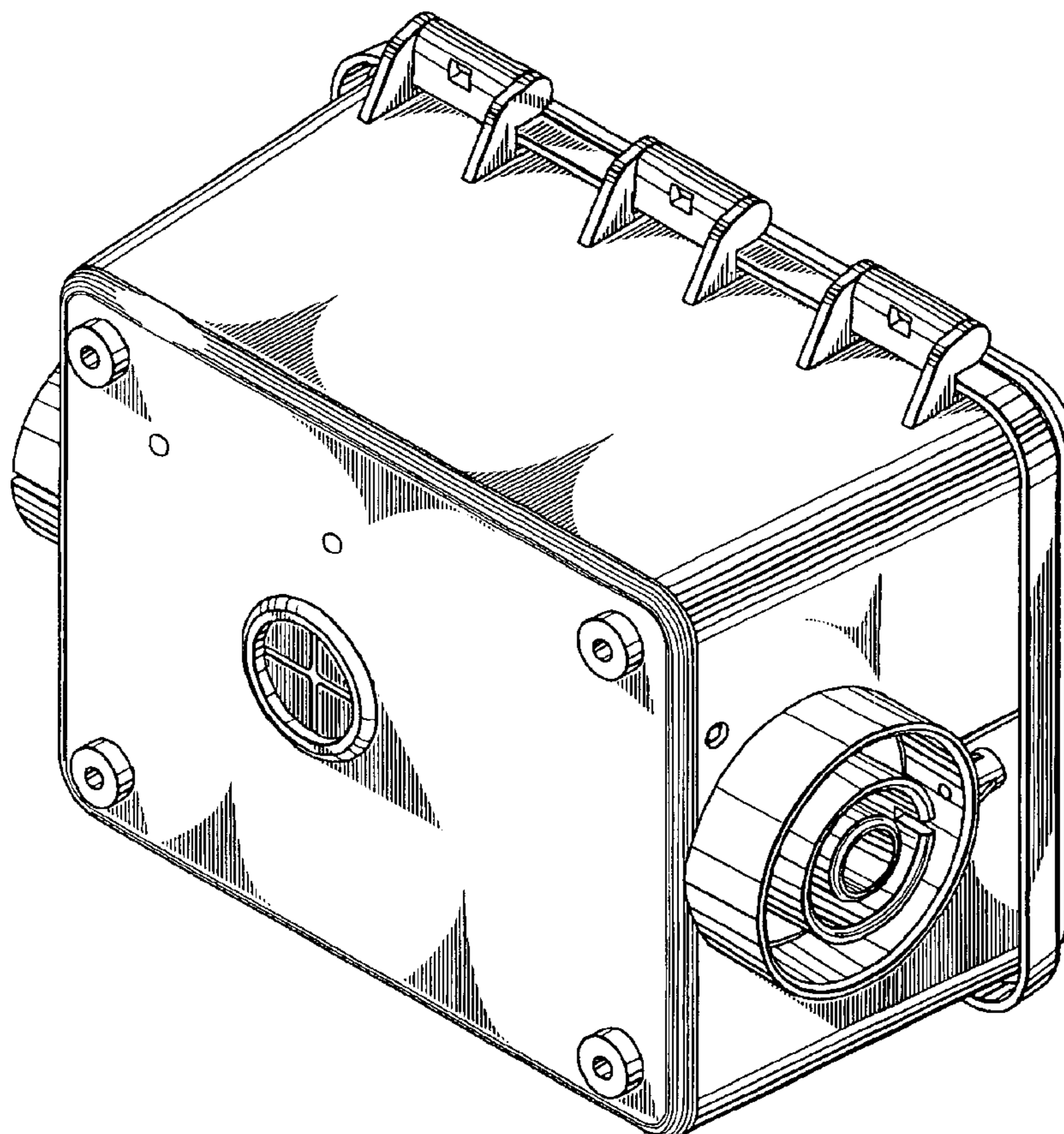
FIG. 7 is a left side elevation view thereof;

FIG. 8 is a right side elevation view thereof; and,

FIG. 9 is a plan view of the junction box in an open configuration showing the inside thereof.

The broken lines in FIGS. 1, 3, 4 and 9 are included for the purpose of illustrating portions of the junction box that form no part of the claimed design.

**1 Claim, 9 Drawing Sheets**



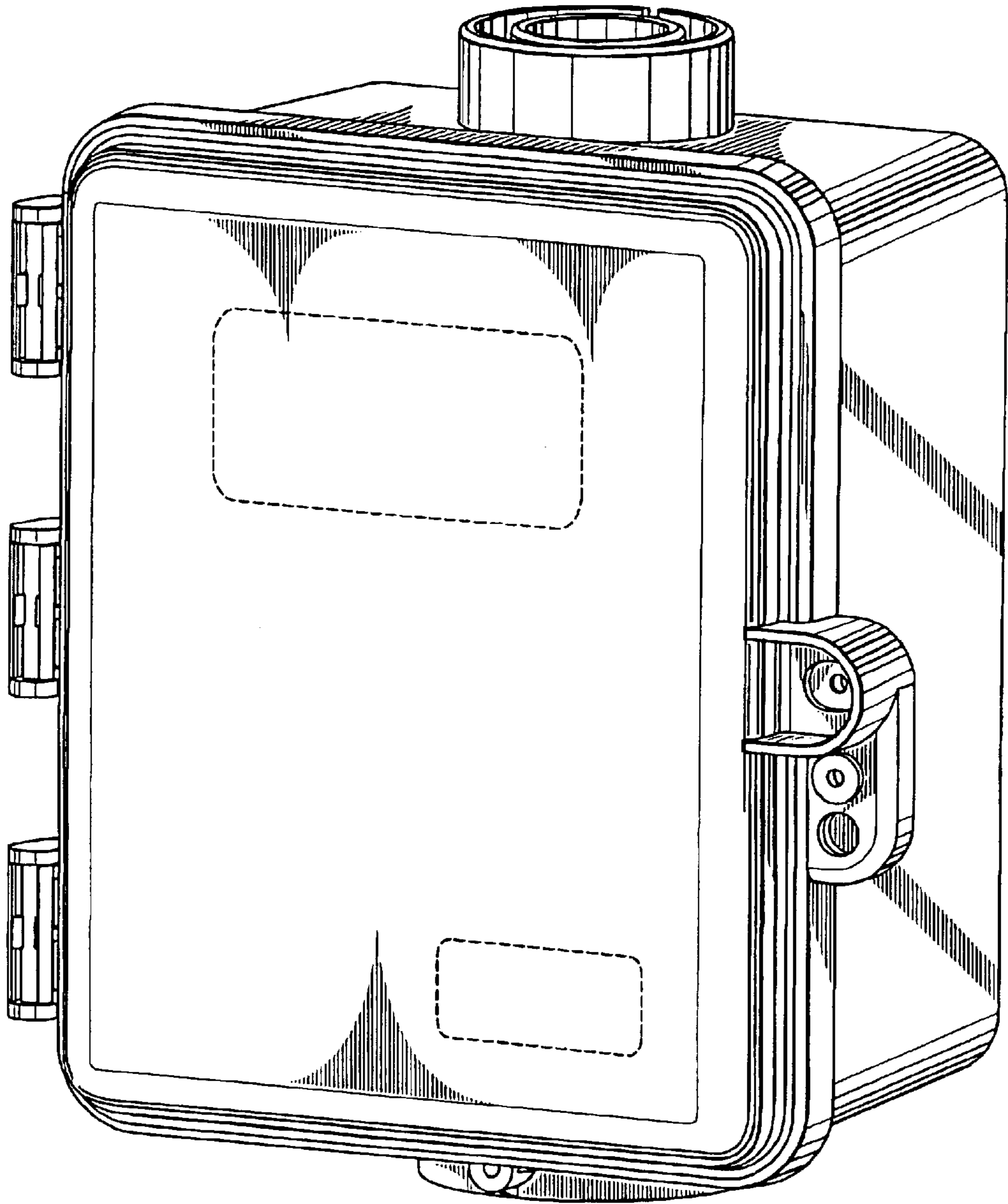


FIG. 1

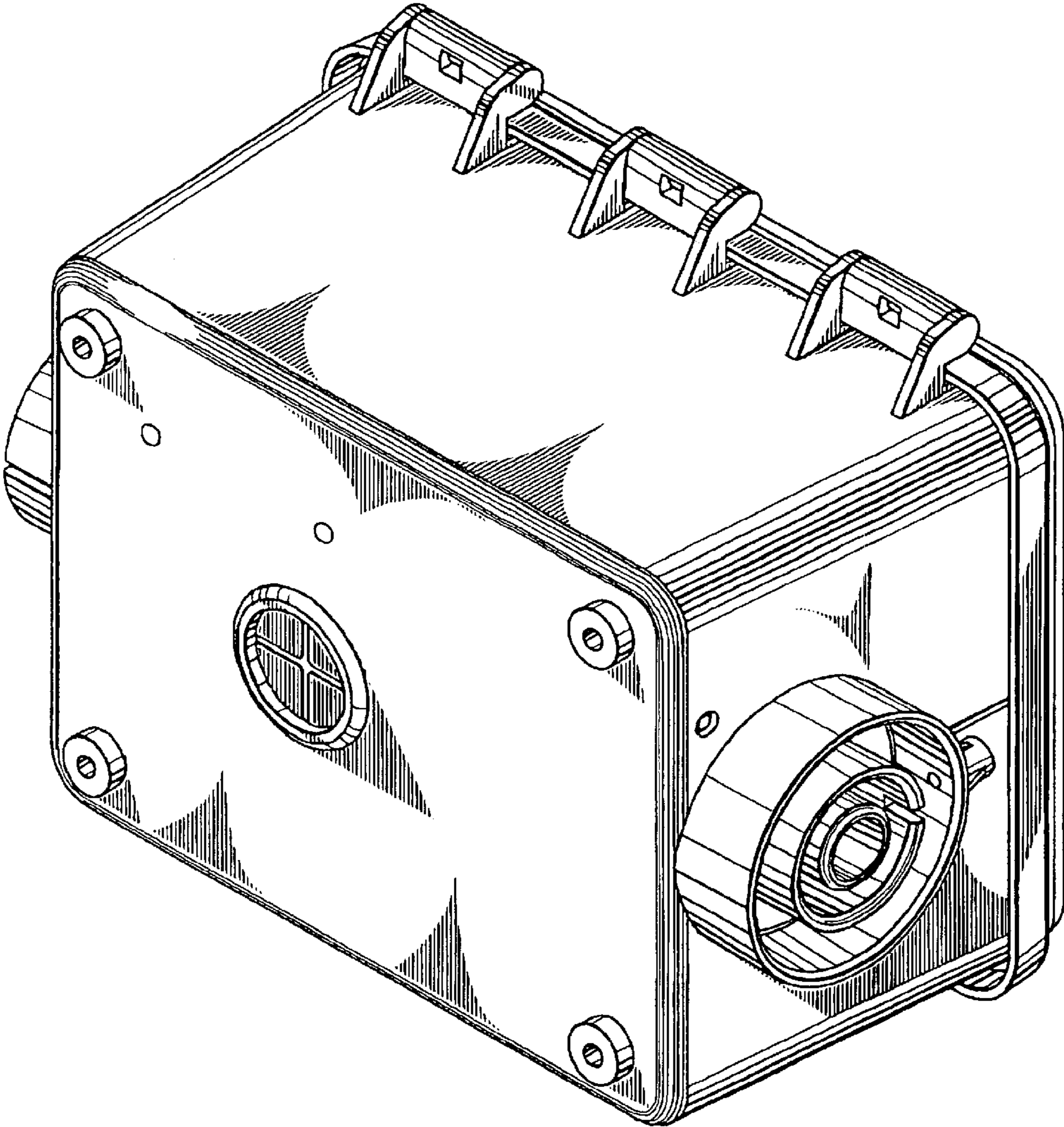


FIG. 2



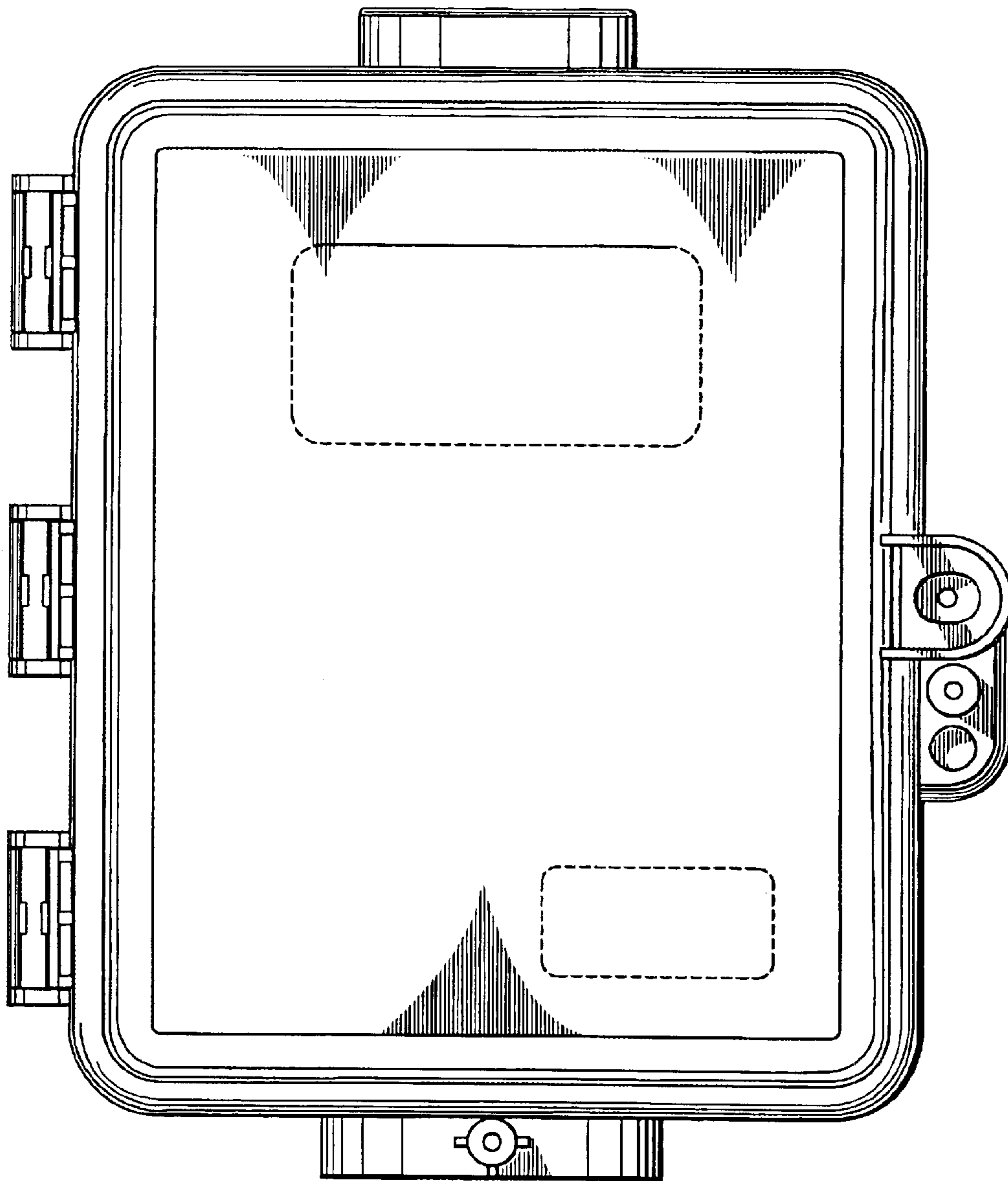


FIG. 3

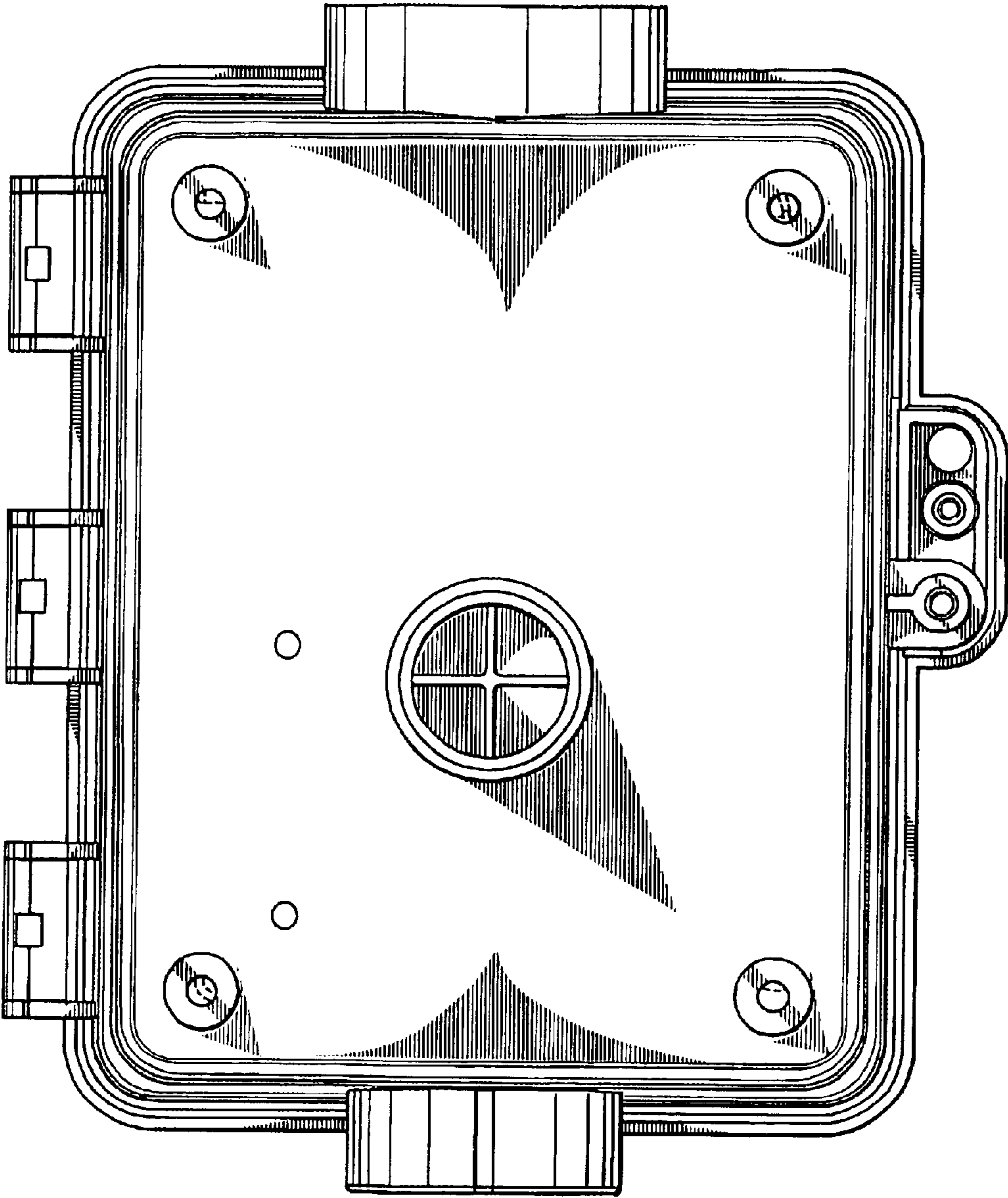
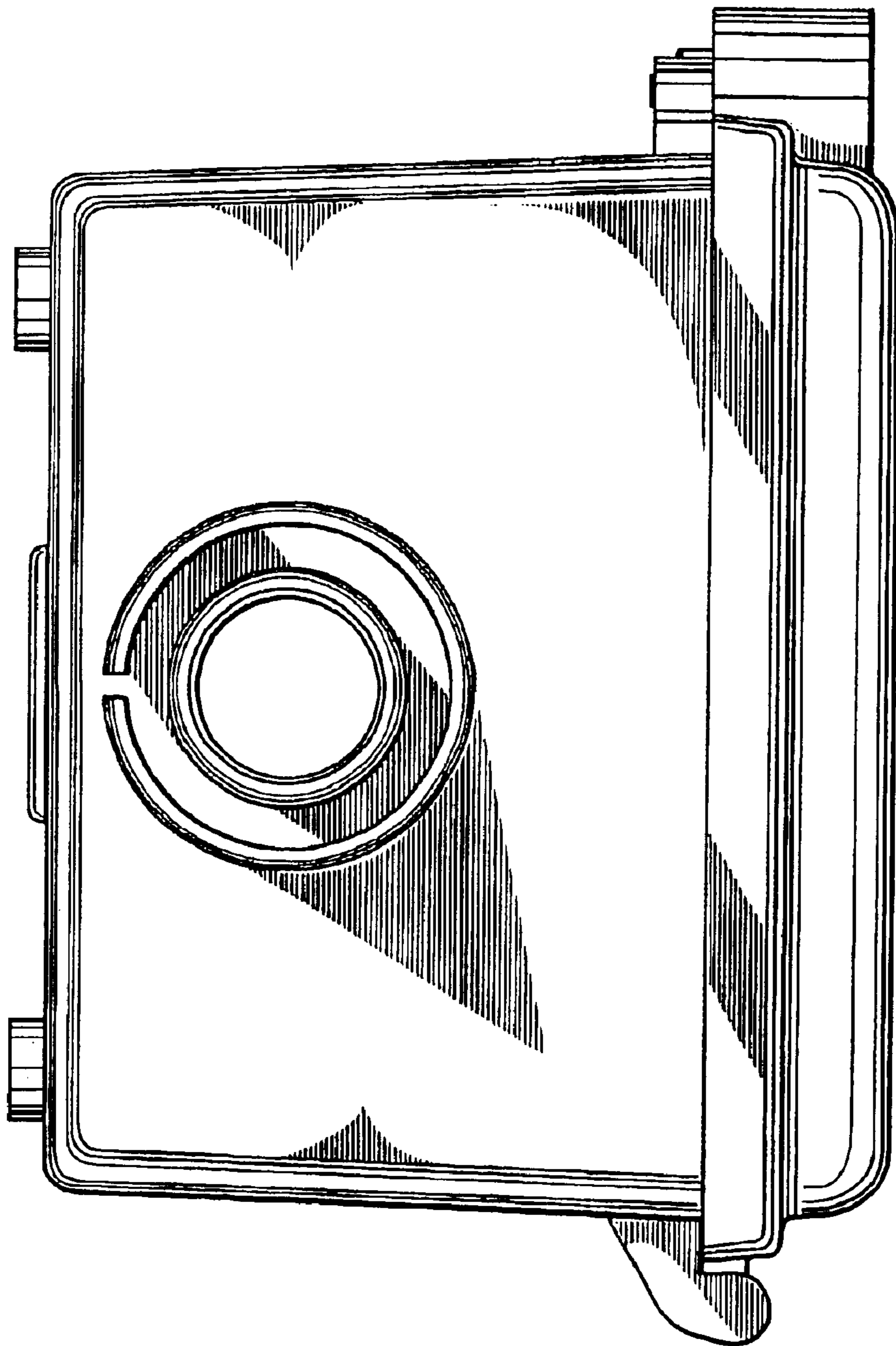
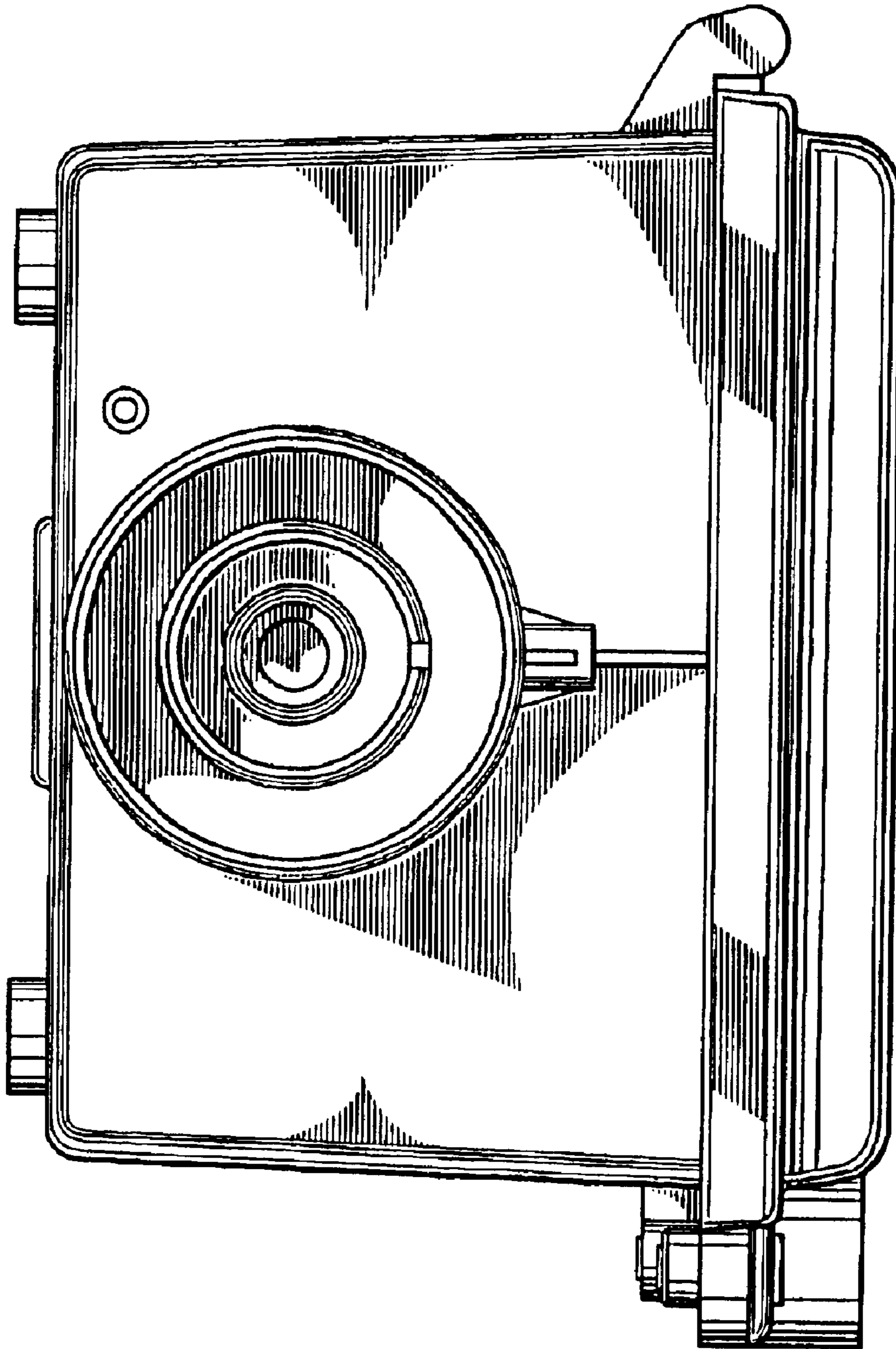


FIG. 4



**FIG. 5**



**FIG. 6**

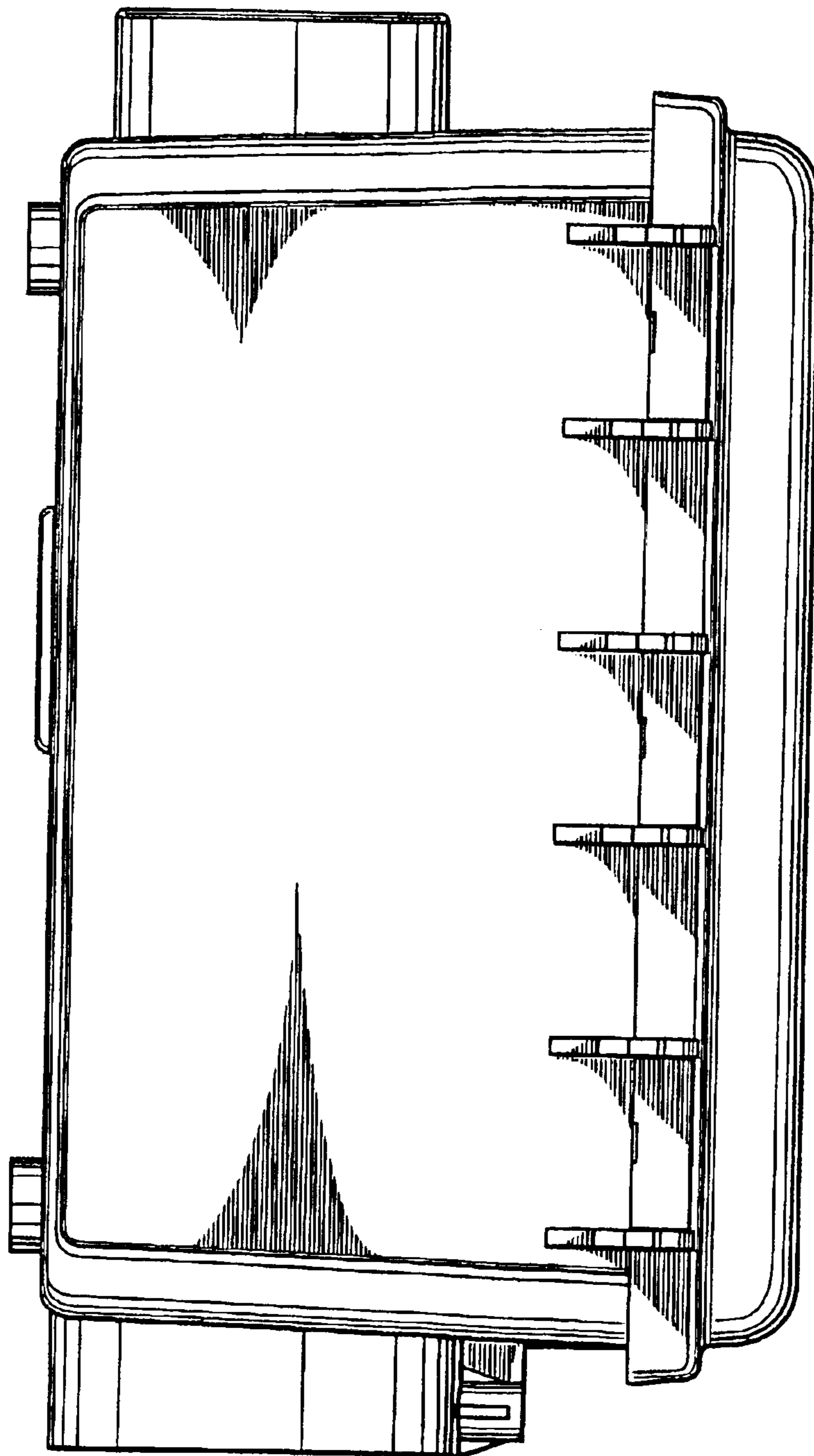


FIG. 7



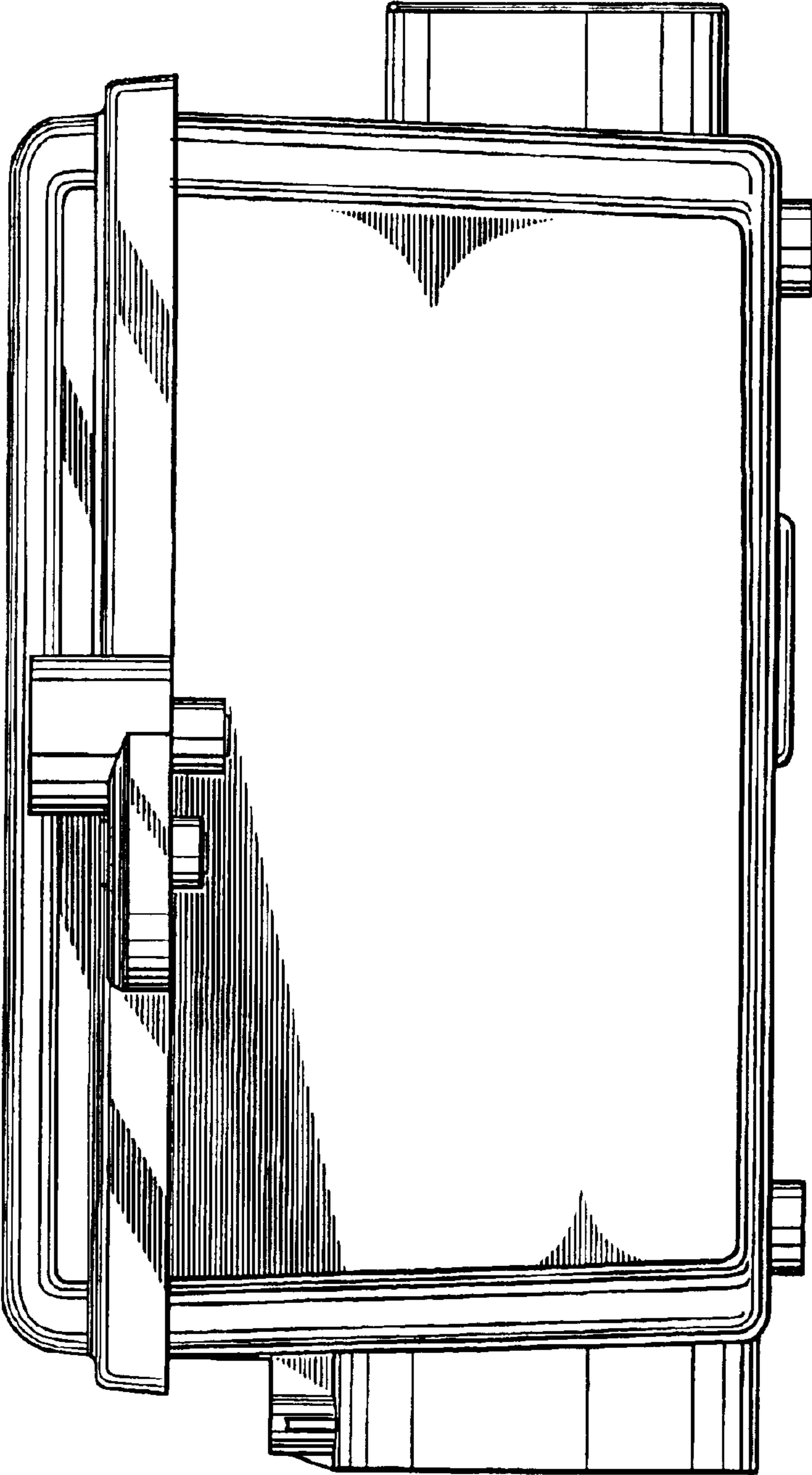


FIG. 8

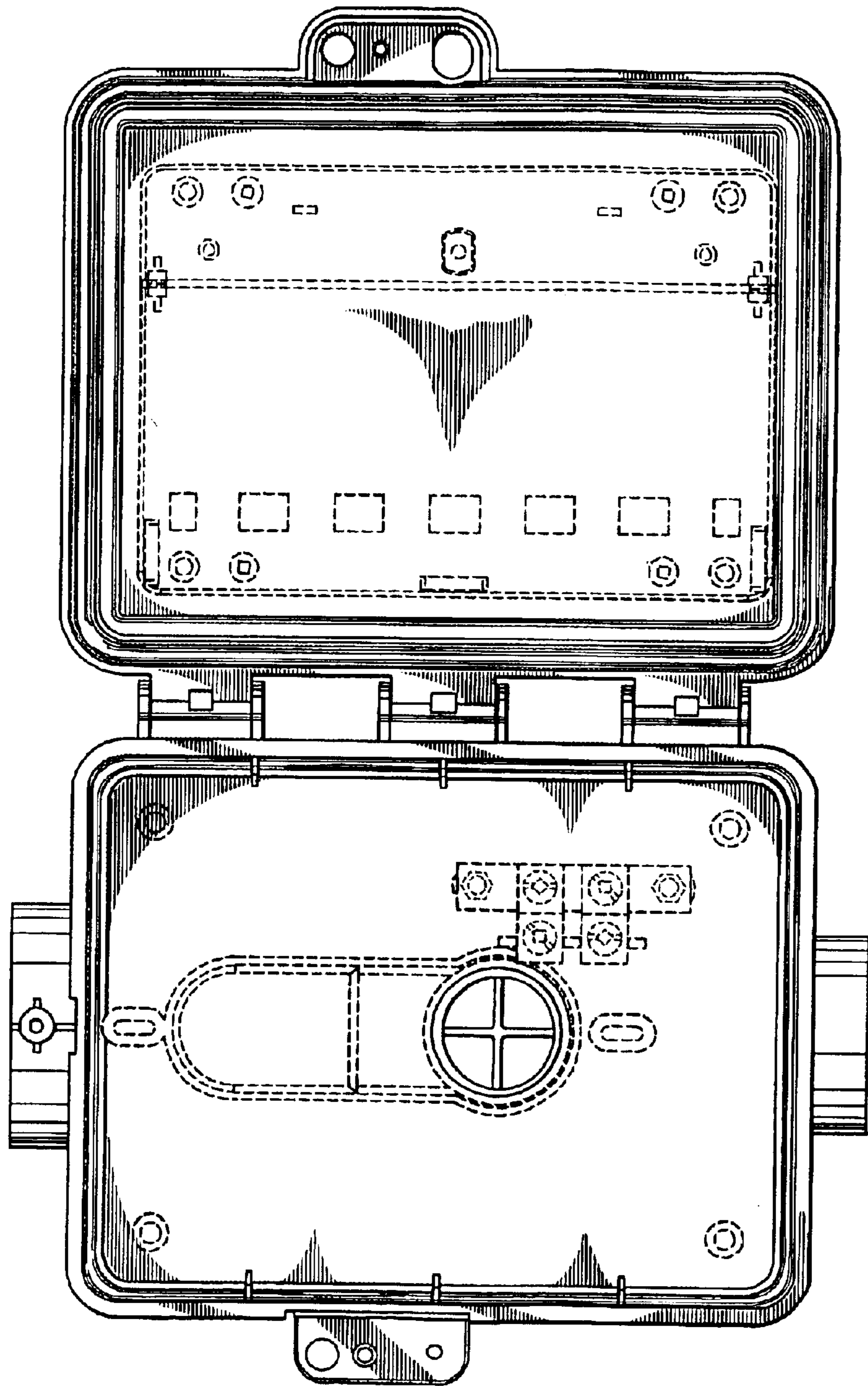


FIG. 9