

US00D507239S

(12) **United States Design Patent**
Shimojo

(10) **Patent No.:** **US D507,239 S**
(45) **Date of Patent:** **** Jul. 12, 2005**

(54) **ELECTRICAL CONNECTOR**

(75) **Inventor:** **Yasuhiro Shimojo, Sawa-gun (JP)**

(73) **Assignee:** **Hosiden Corporation (JP)**

(**) **Term:** **14 Years**

(21) **Appl. No.:** **29/176,611**

(22) **Filed:** **Feb. 27, 2003**

(30) **Foreign Application Priority Data**

Aug. 30, 2002 (JP) 2002-023368

(51) **LOC (8) Cl.** **13-03**

(52) **U.S. Cl.** **D13/147**

(58) **Field of Search** D13/133, 146,
D13/147, 607-610, 668, 680, 681

(56) **References Cited**

U.S. PATENT DOCUMENTS

- 5,885,088 A * 3/1999 Brennan et al. 439/680
- 6,093,057 A * 7/2000 Lok 439/607
- D434,728 S * 12/2000 Huang D13/147
- 6,273,760 B1 * 8/2001 Wu 439/668

FOREIGN PATENT DOCUMENTS

JP D1180571 7/2003

* cited by examiner

Primary Examiner—Prabhakar Deshmukh

Assistant Examiner—Selina Sikder

(74) *Attorney, Agent, or Firm*—Connolly Bove Lodge & Hutz LLP

(57) **CLAIM**

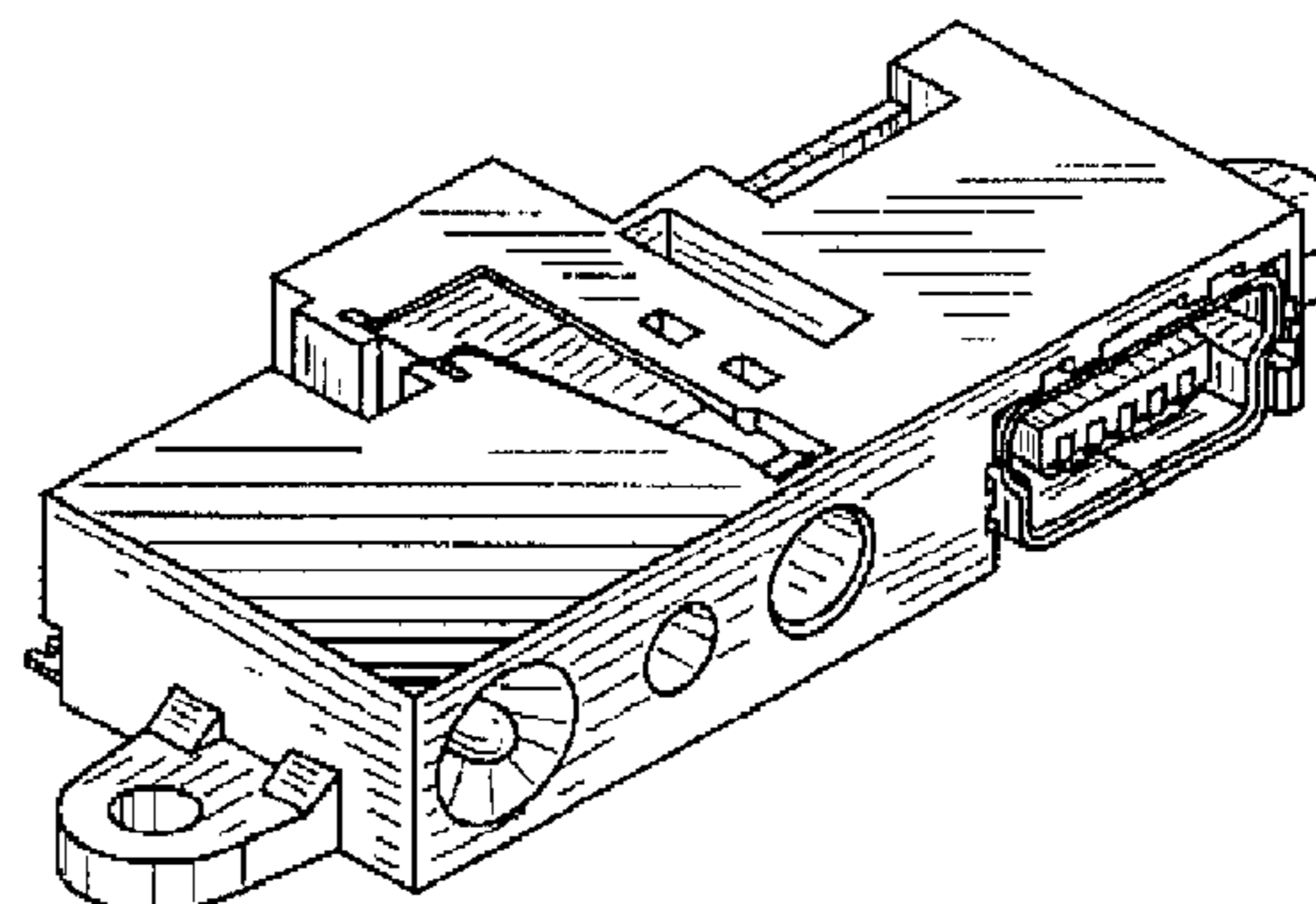
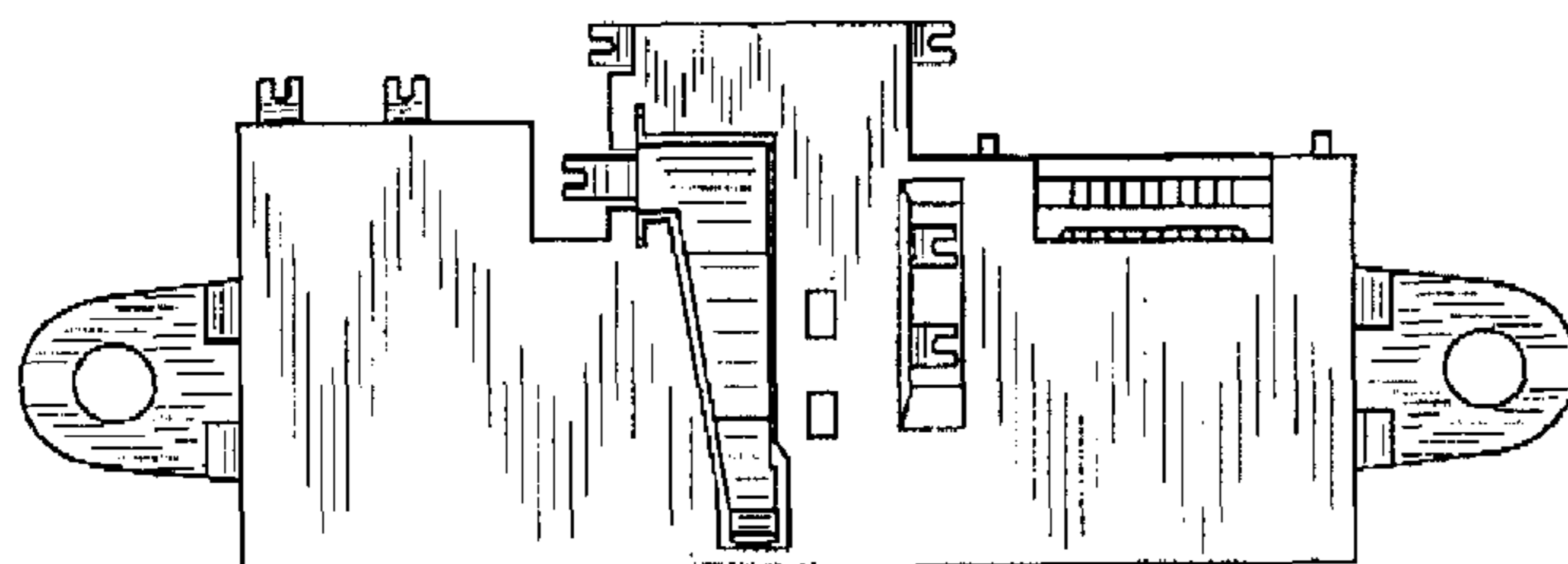
The ornamental design for electrical connector, as shown and described.

DESCRIPTION

FIG. 1 is a top plan view;
 FIG. 2 is a front elevational view;
 FIG. 3 is a back elevational view;
 FIG. 4 is a bottom plan view;
 FIG. 5 is a right side elevational view;
 FIG. 6 is a left side elevational view;
 FIG. 7 is a first perspective view; and,
 FIG. 8 is a second perspective view.

The broken line showing of the environment is for illustrative purpose only and forms no part of the claimed design.

1 Claim, 3 Drawing Sheets



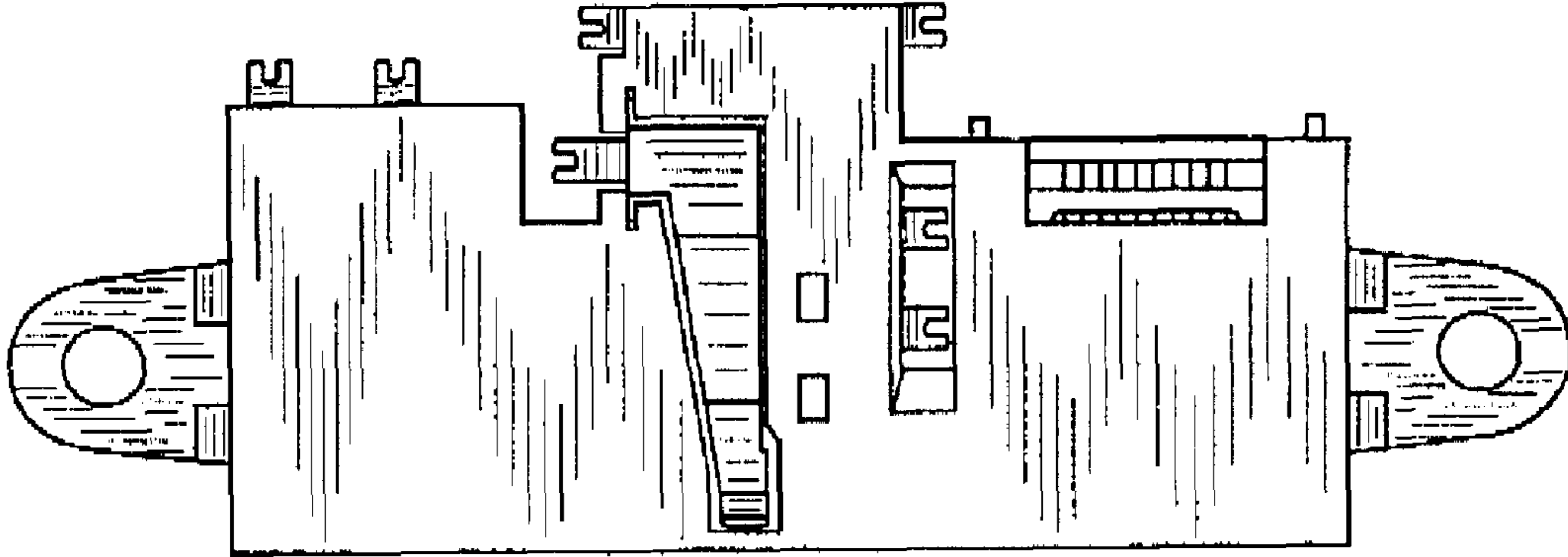


FIG. 1

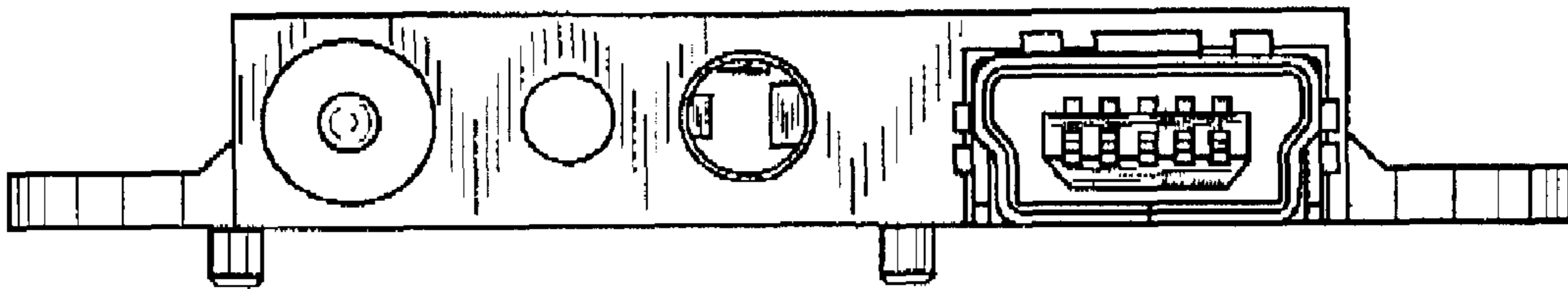


FIG. 2

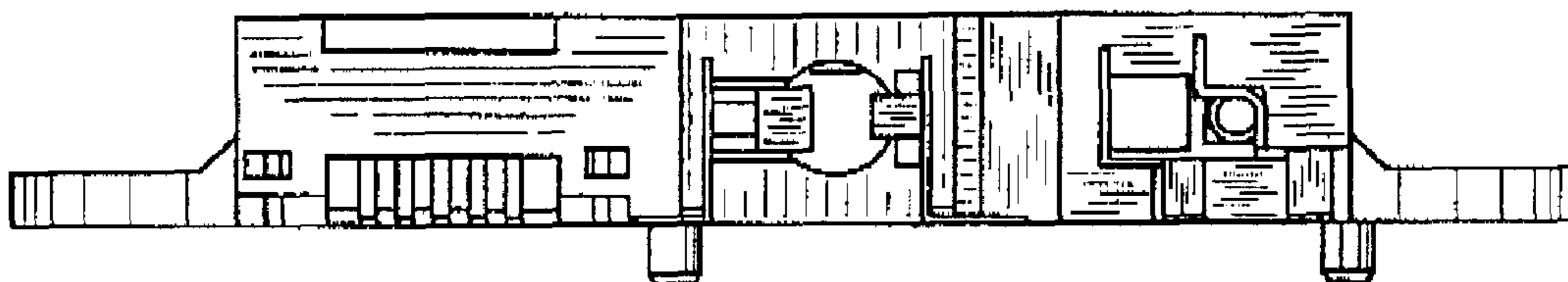


FIG. 3

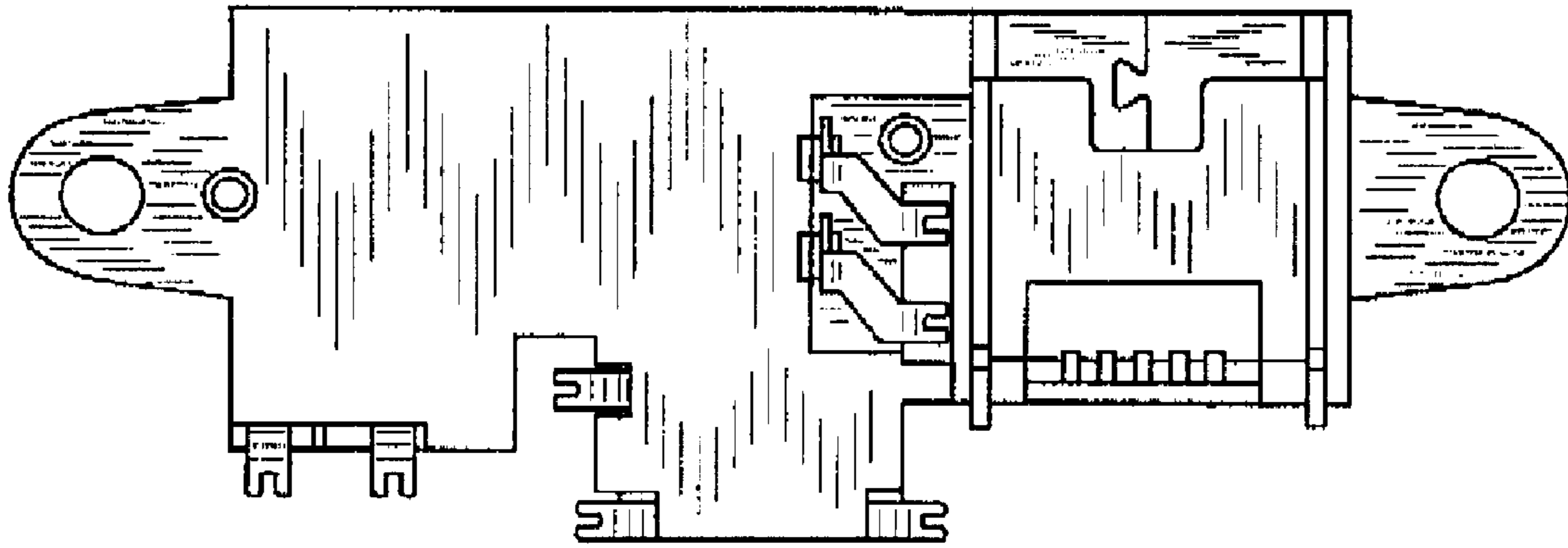


FIG. 4

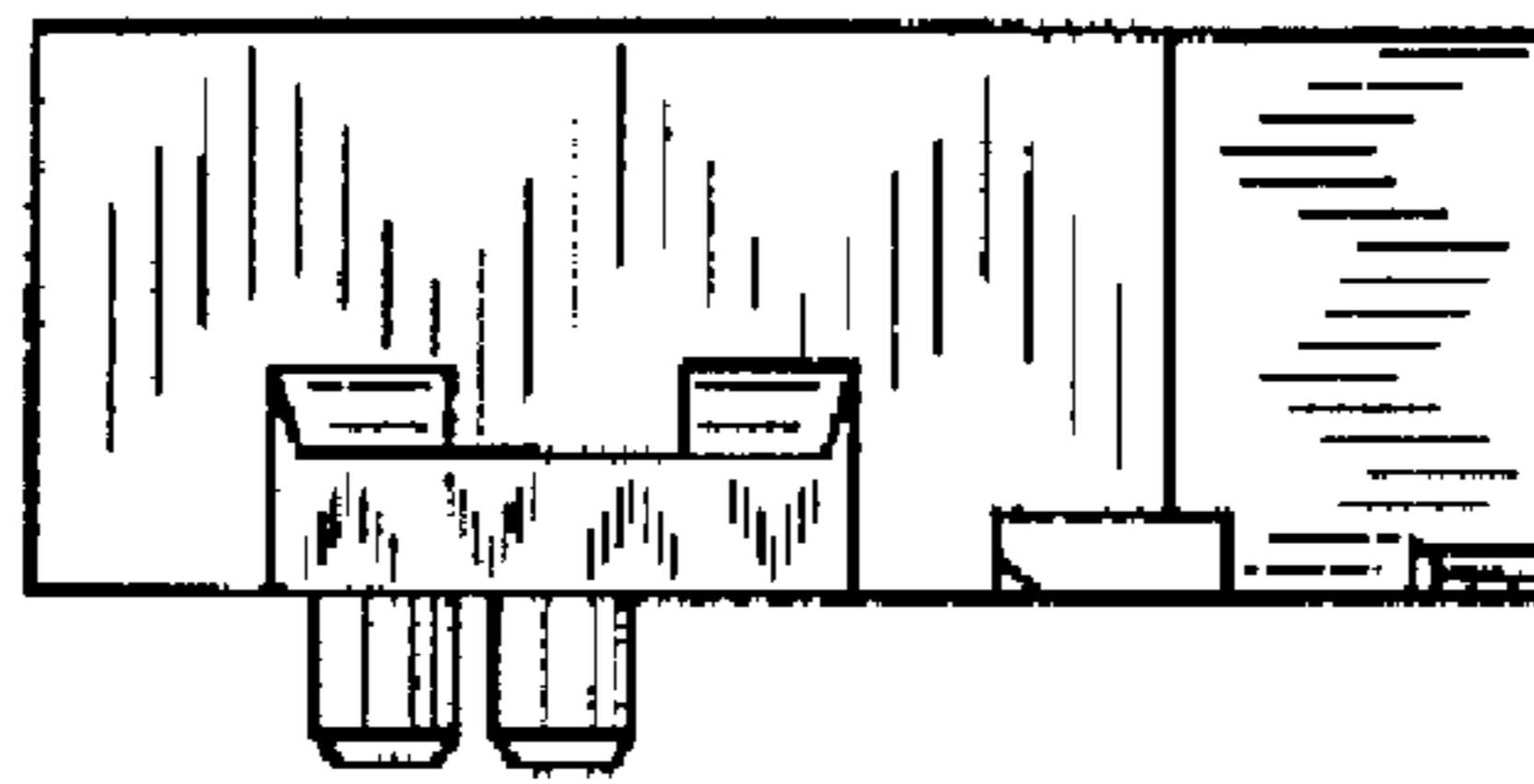


FIG. 5



FIG. 6

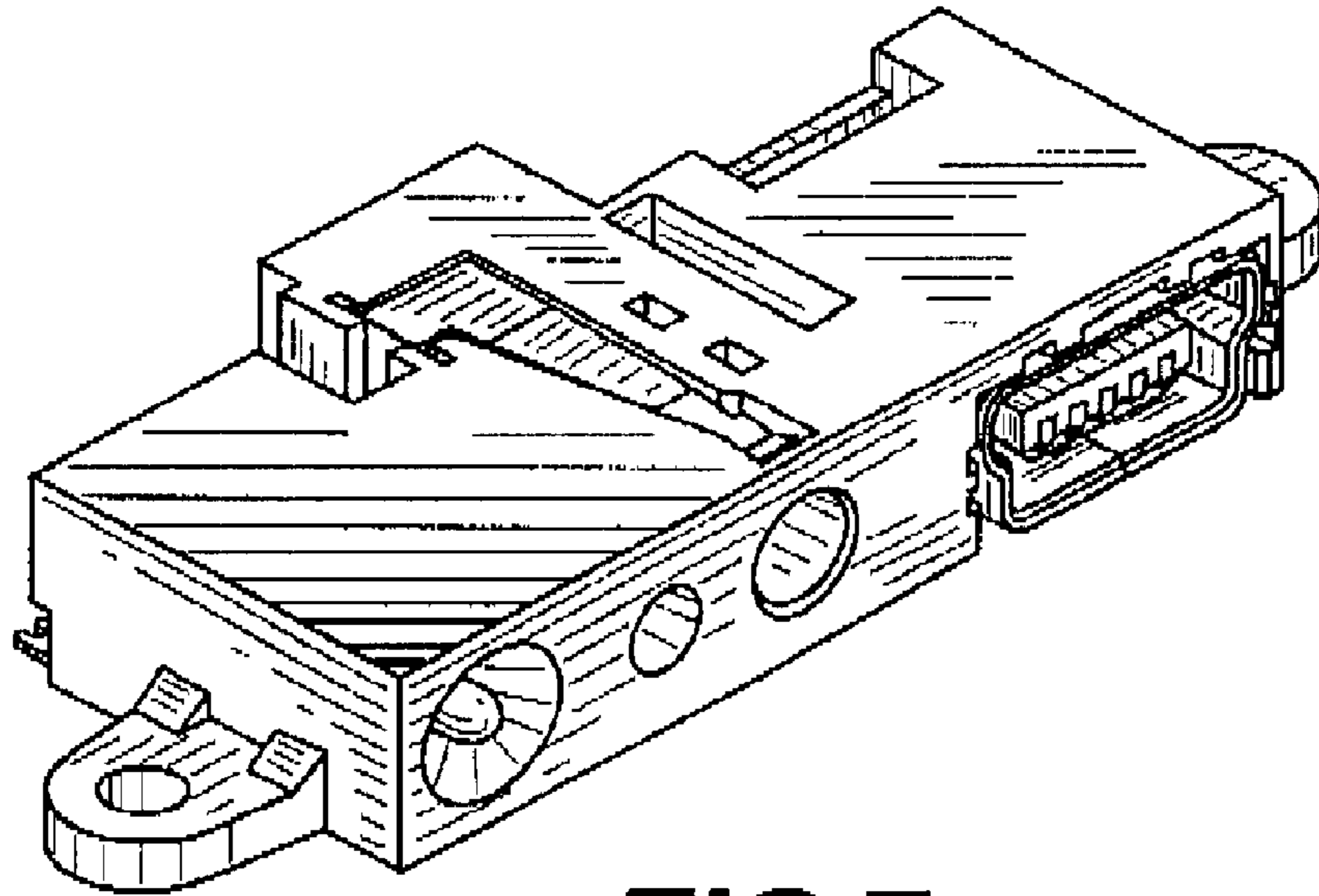


FIG. 7

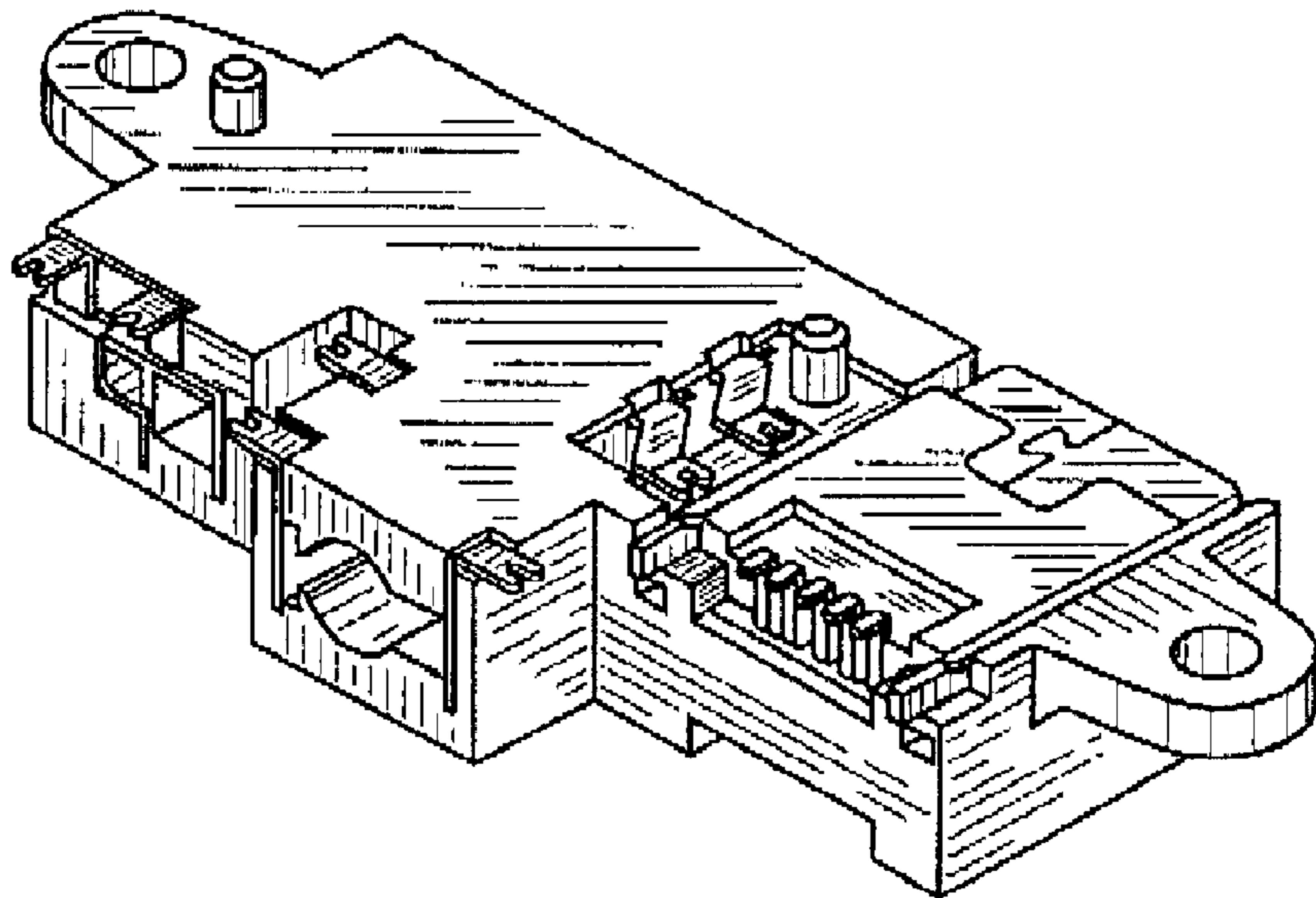


FIG. 8