

US00D507238S

(12) **United States Design Patent**
Stadler

(10) **Patent No.:** **US D507,238 S**
(45) **Date of Patent:** **** Jul. 12, 2005**

(54) **CLAMPING CONNECTOR**

D473,519 S * 4/2003 Borst D13/147

(75) Inventor: **Hermann Stadler**, Donaueschingen
(DE)

* cited by examiner

(73) Assignee: **RIA-BTR Produktions GmbH**,
Blumberg (DE)

Primary Examiner—Stella Reid
Assistant Examiner—Selina Sikder

(**) Term: **14 Years**

(74) *Attorney, Agent, or Firm*—Choate, Hall & Stewart
LLP

(21) Appl. No.: **29/167,895**

(57) **CLAIM**

(22) Filed: **Sep. 23, 2002**

The ornamental design for a clamping connector, as shown
and described.

(51) **LOC (8) Cl.** **13-03**

(52) **U.S. Cl.** **D13/147**

(58) **Field of Search** D13/147, 149,
D13/151; 361/119, 823; 439/409, 412, 417,
441, 709, 715, 716, 717, 721, 729, 812,
835

DESCRIPTION

(56) **References Cited**

U.S. PATENT DOCUMENTS

D281,415 S	*	11/1985	Nusse	D13/147
5,993,267 A	*	11/1999	Lin	439/709
5,993,270 A	*	11/1999	Geske et al.	439/835
6,004,168 A	*	12/1999	Fuchs et al.	439/835
6,146,217 A	*	11/2000	Osada	439/835
6,270,384 B2	*	8/2001	Jaag	439/835
6,488,527 B2	*	12/2002	Yoon	439/441

FIG. 1 is a front and right side perspective view of a
clamping connector showing my new design;

FIG. 2 is a top and right side perspective view thereof;

FIG. 3 is an exploded top and right side perspective view
thereof wherein the end portion is removed for ease of
illustration;

FIG. 4 is a bottom plan view thereof drawn at a reduced
scale;

FIG. 5 is a left side elevation view thereof drawn at a
reduced scale;

FIG. 6 is an exploded top plan view thereof drawn at a
reduced scale and wherein the end portions are shown for
ease of illustration; and,

FIG. 7 is a right side elevation view thereof drawn at a
reduced scale.

1 Claim, 3 Drawing Sheets

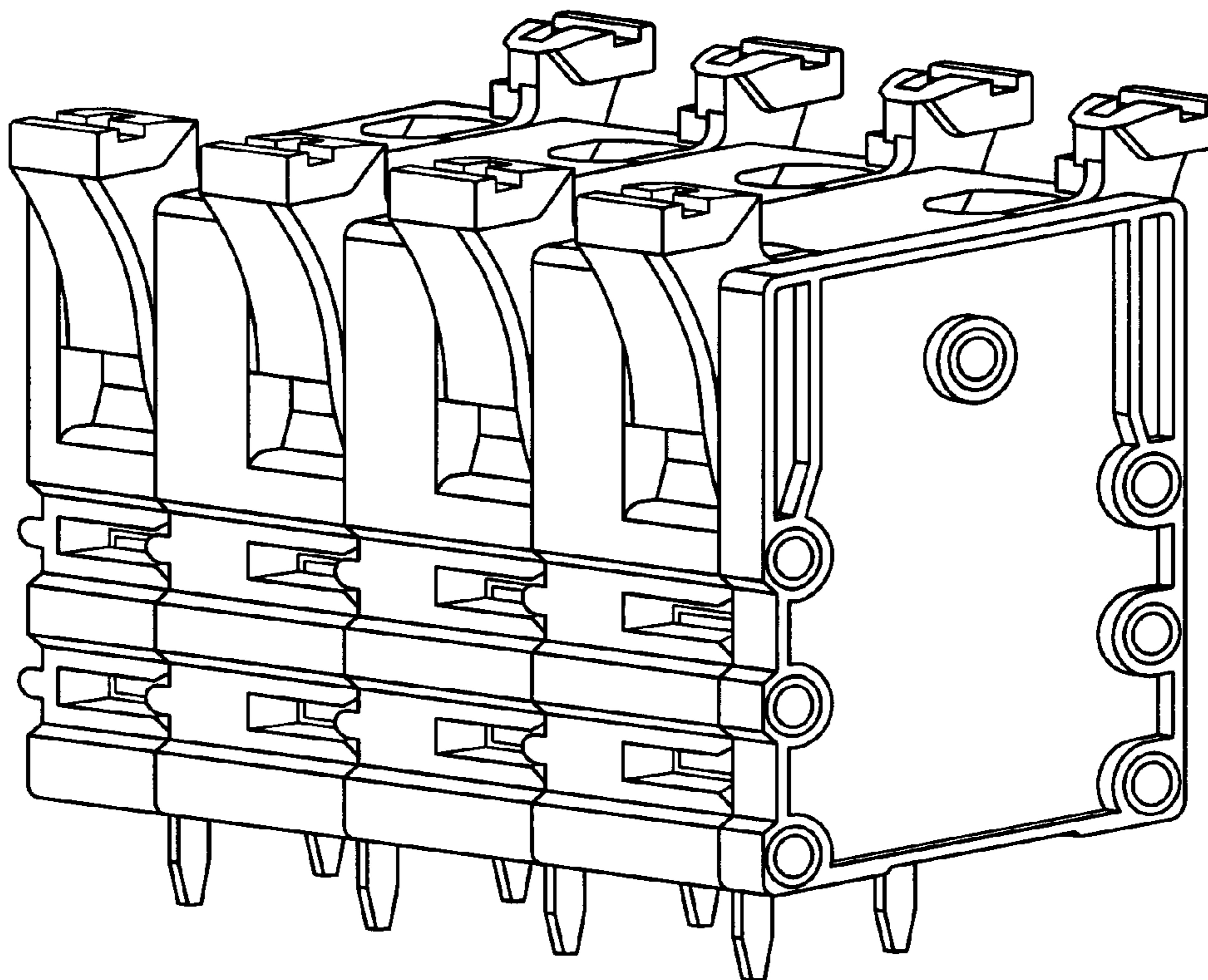


FIG. 1

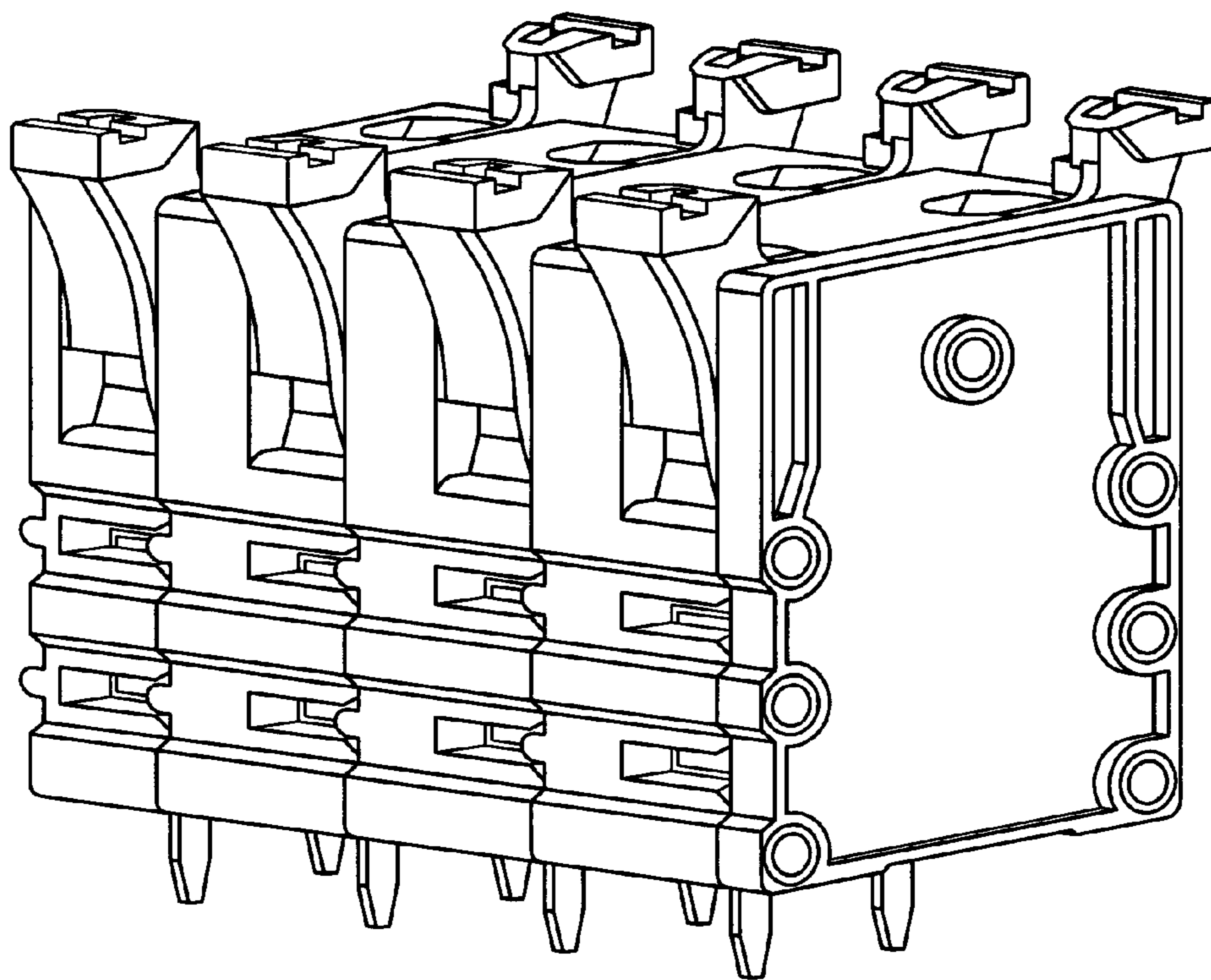


FIG.2

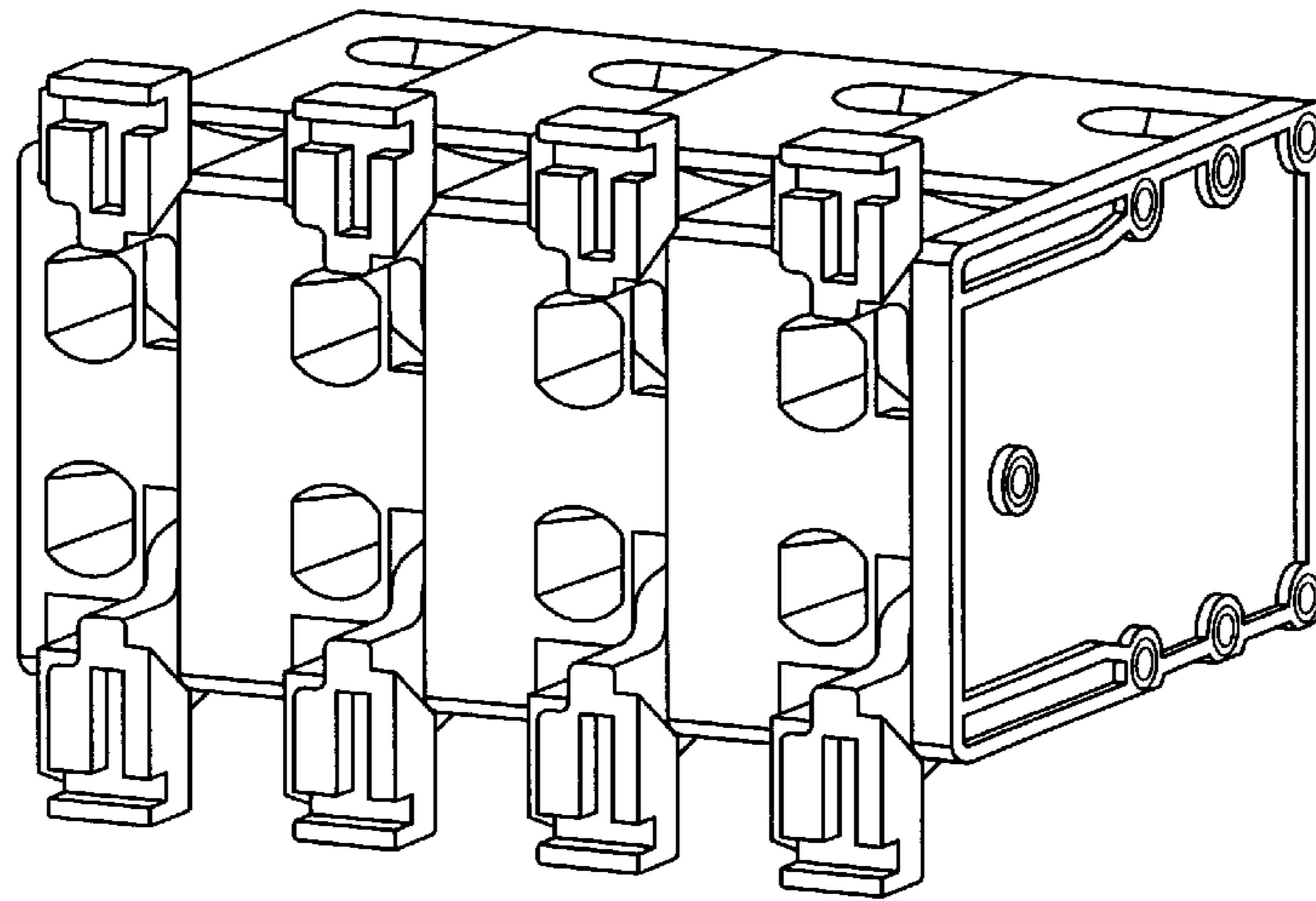


FIG.3

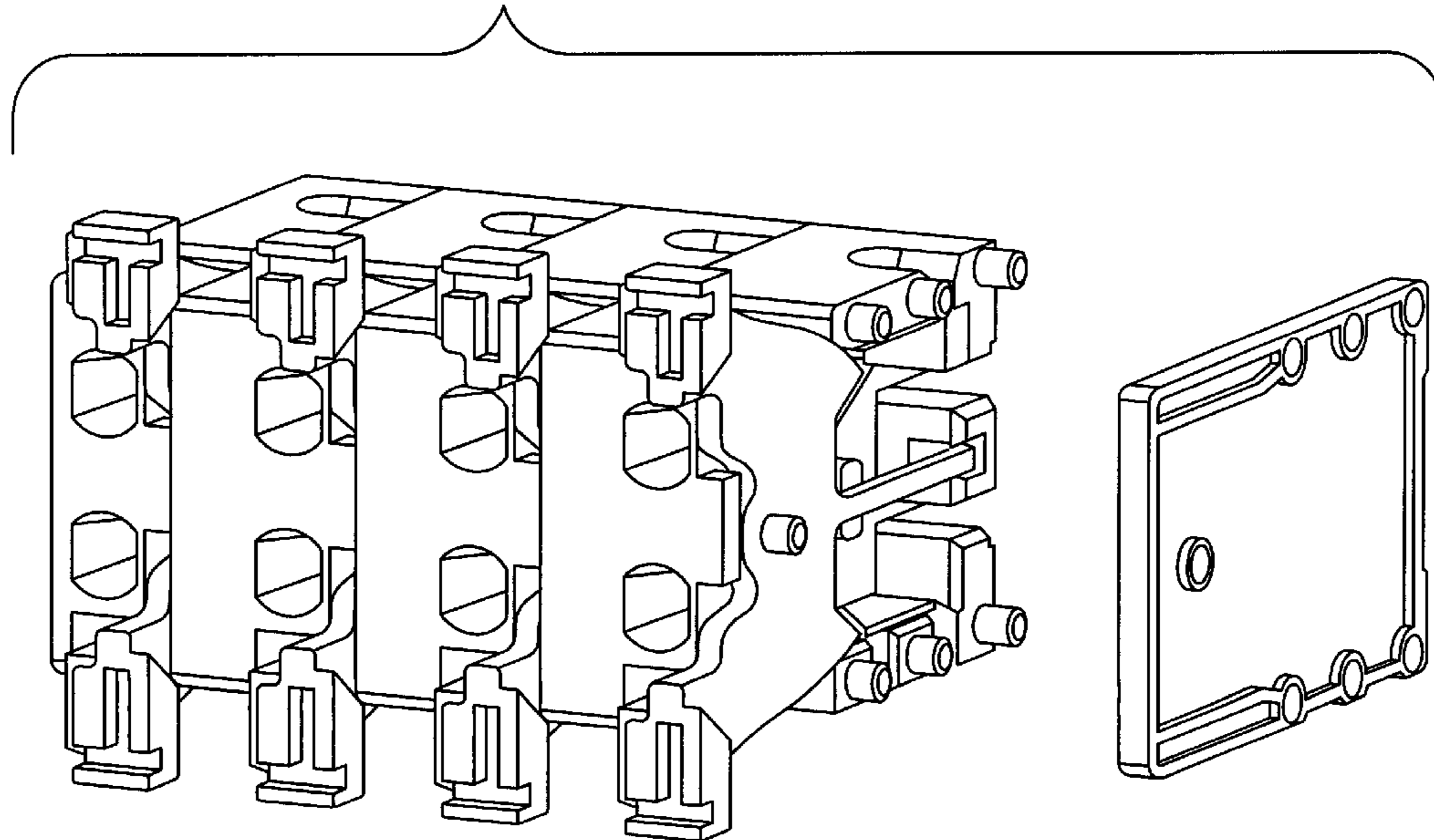


FIG.4

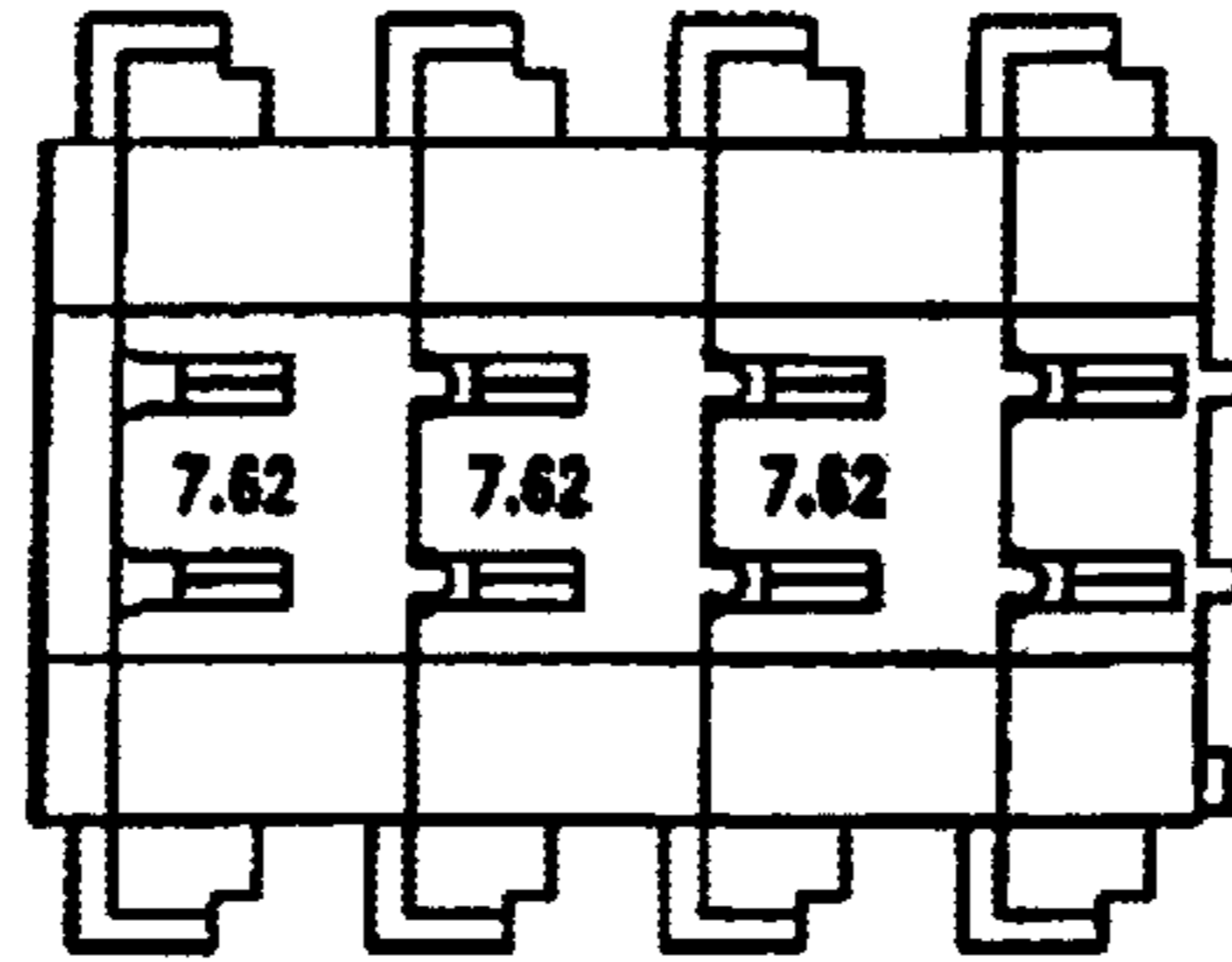


FIG.5

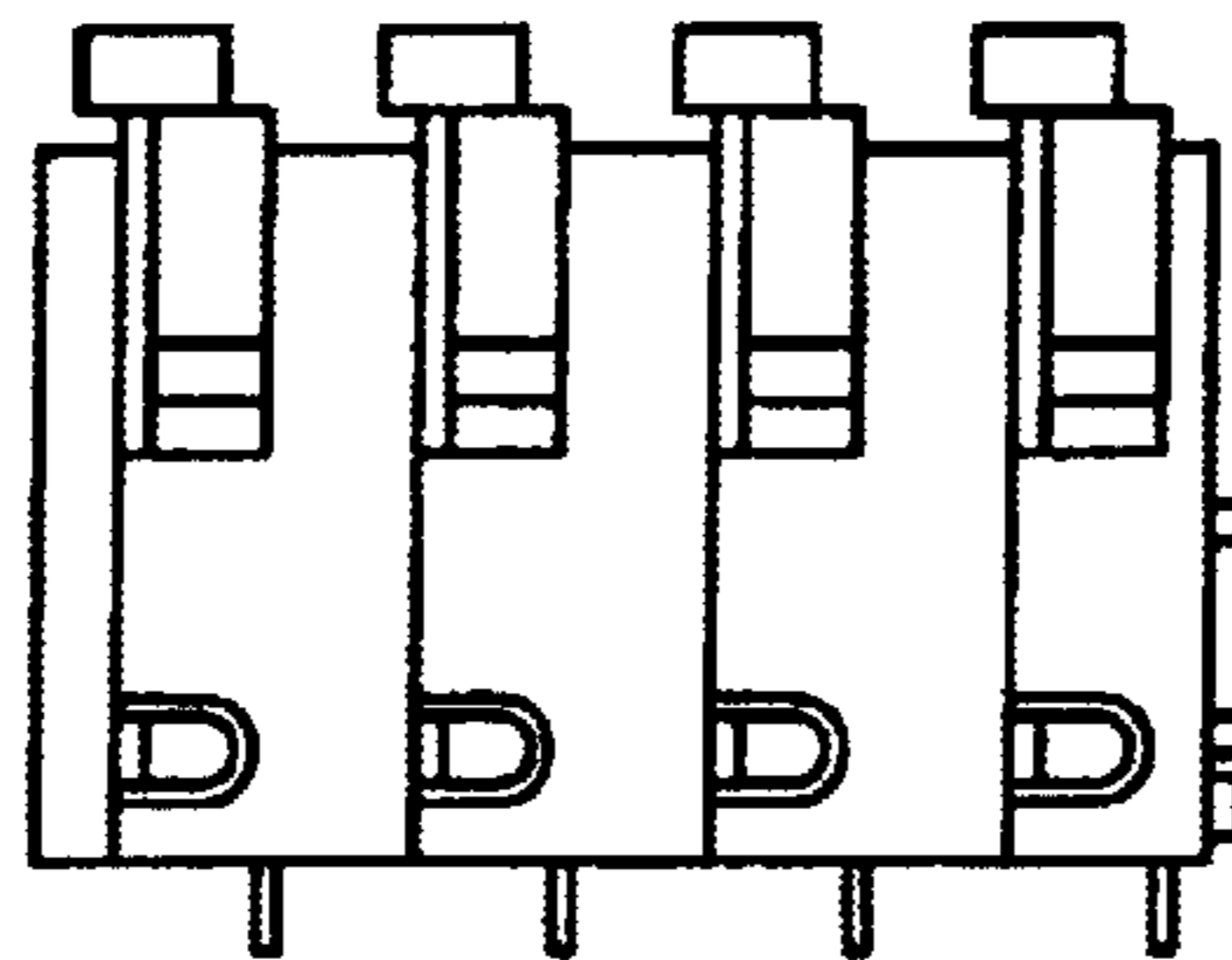


FIG.6

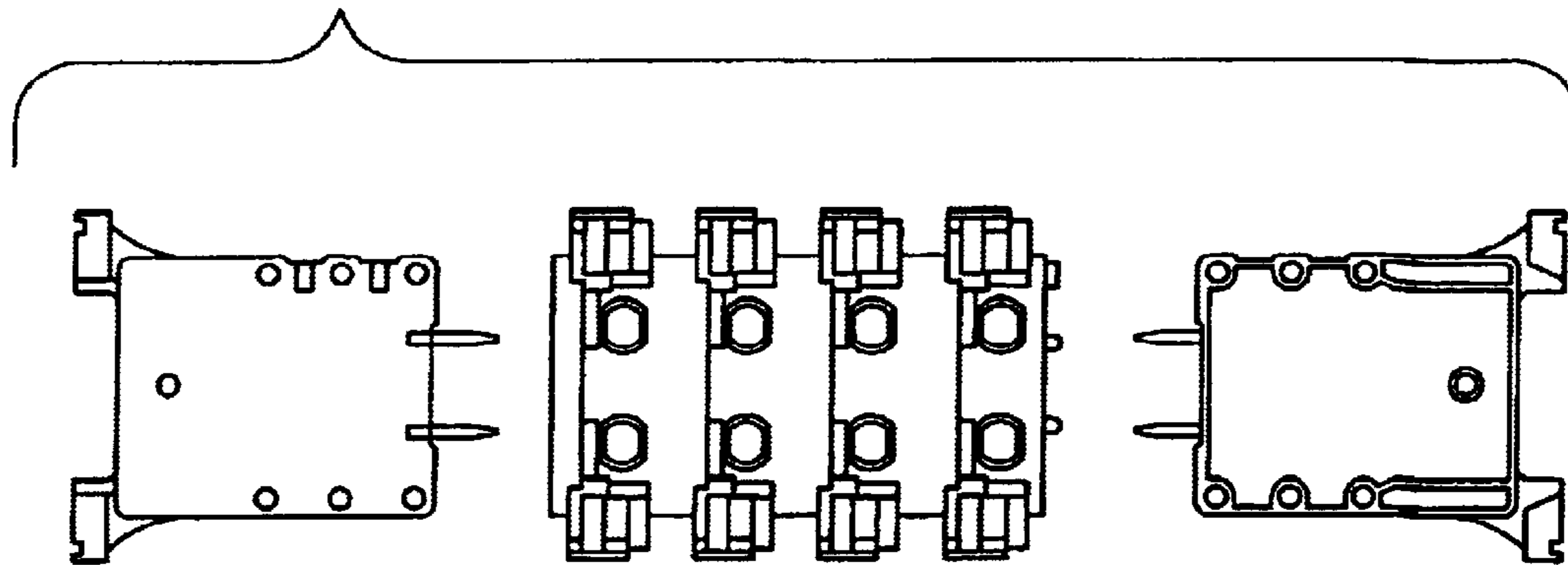


FIG.7

