



US00D507236S

(12) **United States Design Patent**
Han et al.

(10) **Patent No.:** **US D507,236 S**
(45) **Date of Patent:** **** Jul. 12, 2005**

- (54) **ELECTRICAL CONNECTOR**
- (75) Inventors: **Hong Qiang Han**, Kunsan (CN);
Guohua Zhang, Kunsan (CN);
ZiQiang Zhu, Kunsan (CN)
- (73) Assignee: **Hon Hai Precision Ind. Co., LTD**,
Taipei Hsien (TW)
- (**) Term: **14 Years**
- (21) Appl. No.: **29/199,462**
- (22) Filed: **Feb. 13, 2004**
- (30) **Foreign Application Priority Data**
Oct. 29, 2003 (CN) 200330111588
- (51) **LOC (8) Cl.** **13-03**
- (52) **U.S. Cl.** **D13/133**
- (58) **Field of Search** D13/123, 133,
D13/154, 184, 199; 439/188, 607, 668,
669, 939

(56) **References Cited**

U.S. PATENT DOCUMENTS

- D360,620 S * 7/1995 Gehrs et al. D13/184
- D414,463 S * 9/1999 Wu D13/133
- D420,642 S * 2/2000 Wu D13/133
- D449,274 S * 10/2001 Suzuki D13/133

- D450,299 S * 11/2001 Ma et al. D13/133
- D451,472 S * 12/2001 Suzuki D13/133
- D459,303 S * 6/2002 Florescu D13/133
- D461,770 S * 8/2002 Ma et al. D13/133
- D461,773 S * 8/2002 Li et al. D13/133
- D470,107 S * 2/2003 Li et al. D13/133
- 2002/0039851 A1 * 4/2002 Mou et al. 439/188

* cited by examiner

Primary Examiner—Stella Reid
Assistant Examiner—Daniel Bui
(74) *Attorney, Agent, or Firm*—Wei Te Chung

(57) **CLAIM**

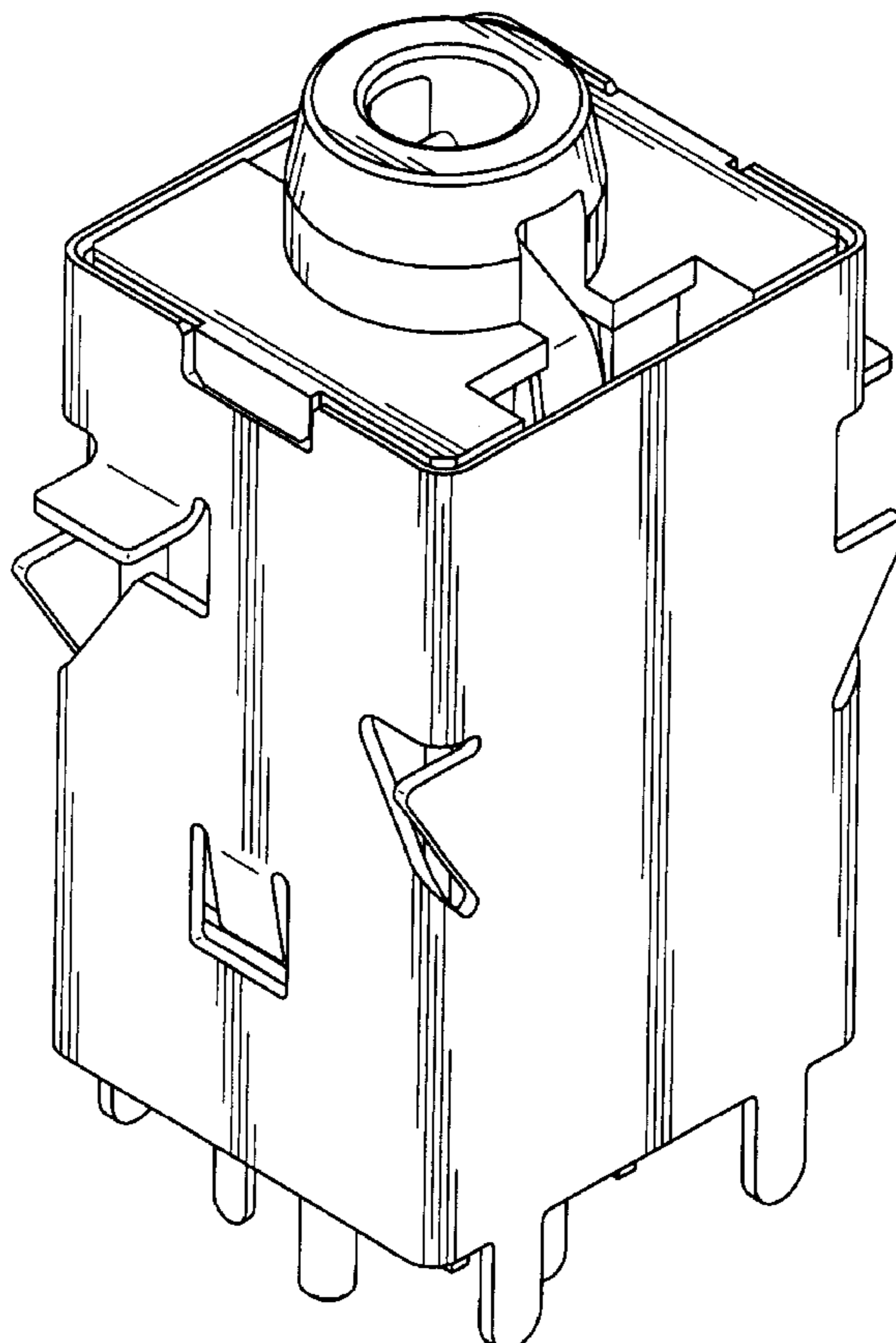
The ornamental design for an electrical connector, as shown.

DESCRIPTION

FIG. 1 is a front, top and left side perspective view of an electrical connector showing our new design; FIG. 2 is a front elevational view thereof; FIG. 3 is a rear elevational view thereof; FIG. 4 is a left side elevational view thereof; FIG. 5 is a right side elevational view thereof; FIG. 6 is a top plan view thereof; and, FIG. 7 is a bottom plan view thereof.

The broken line showing of the environment is for illustrative purposes only and forms no part of the claimed design.

1 Claim, 7 Drawing Sheets



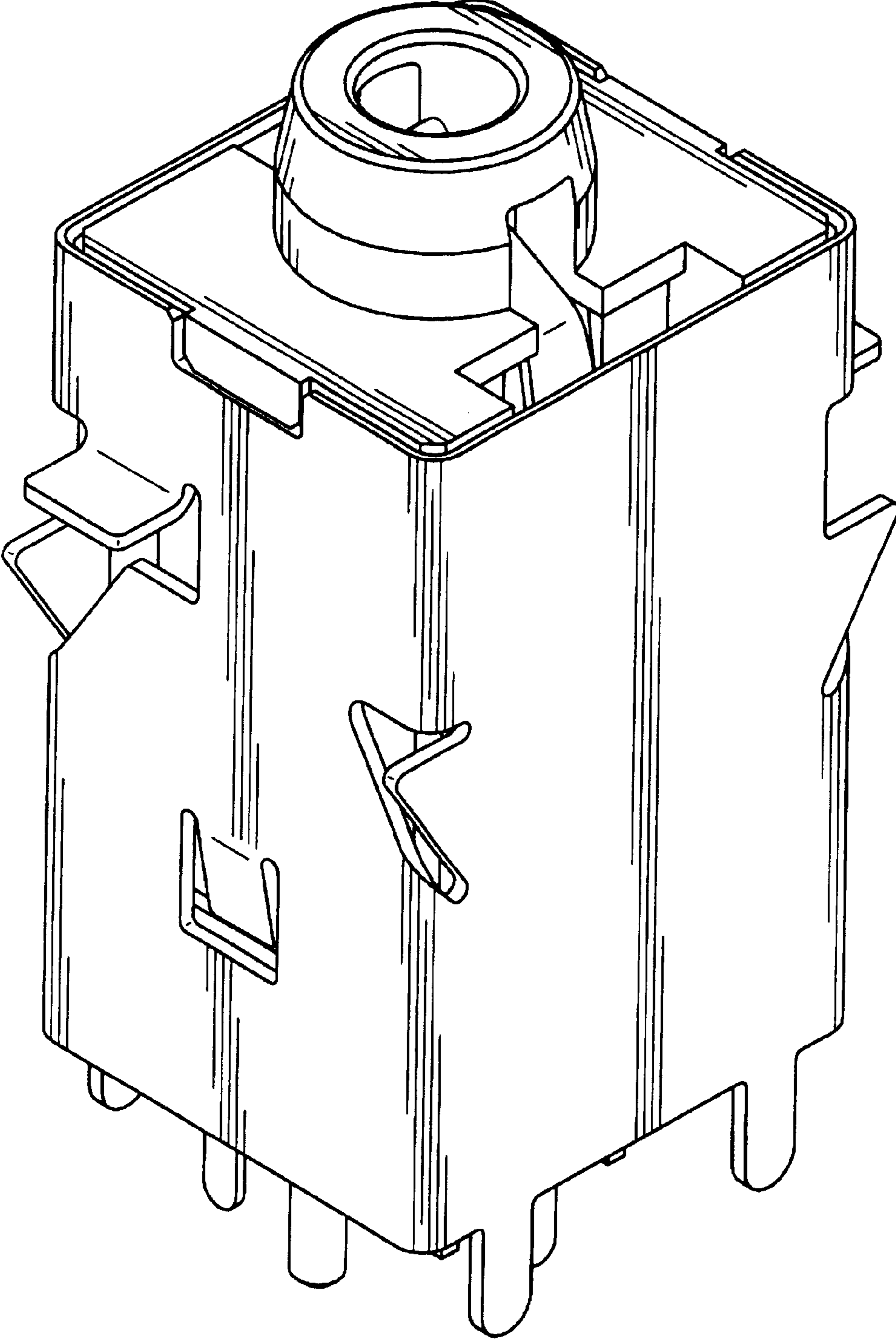


FIG. 1

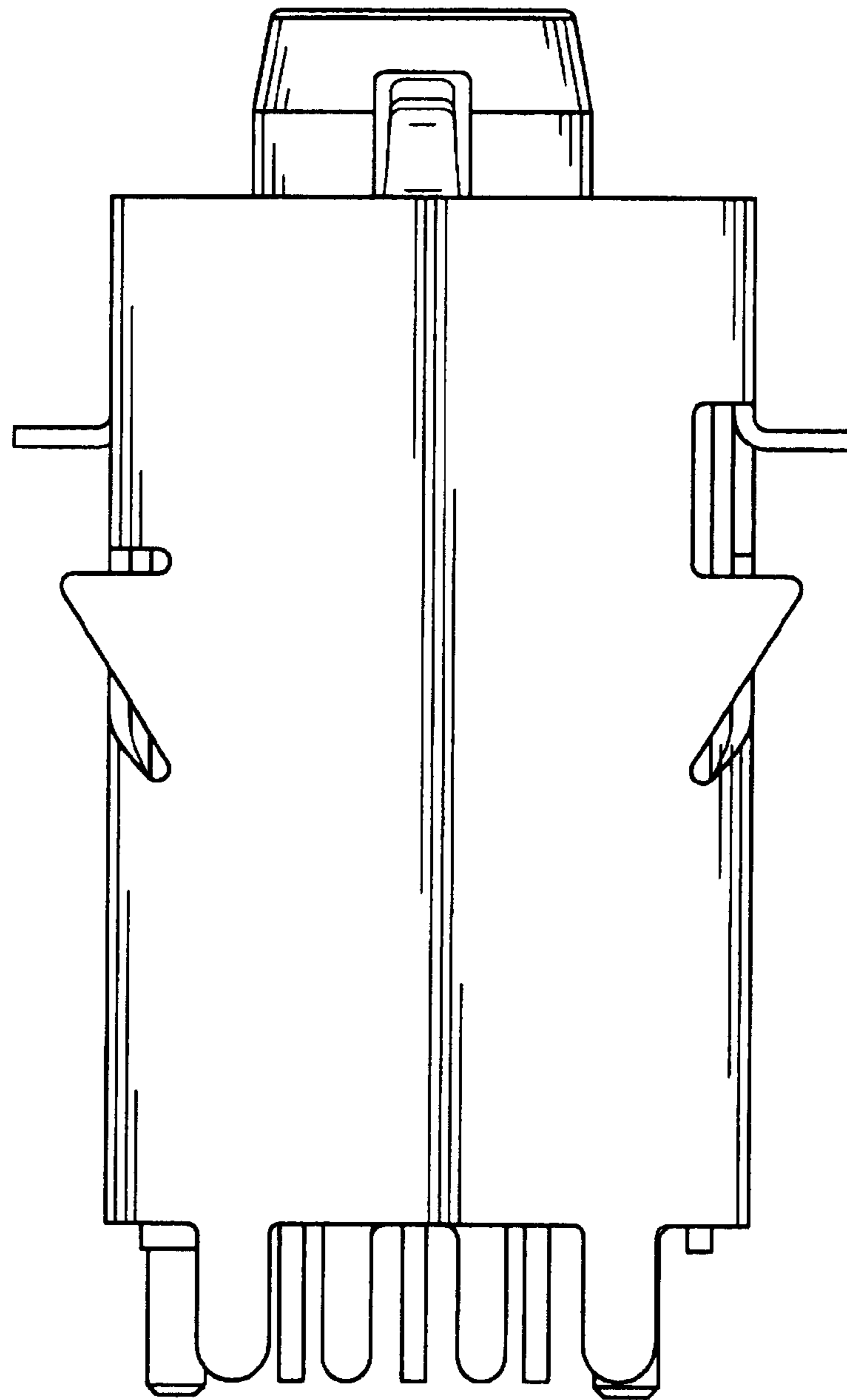


FIG. 2

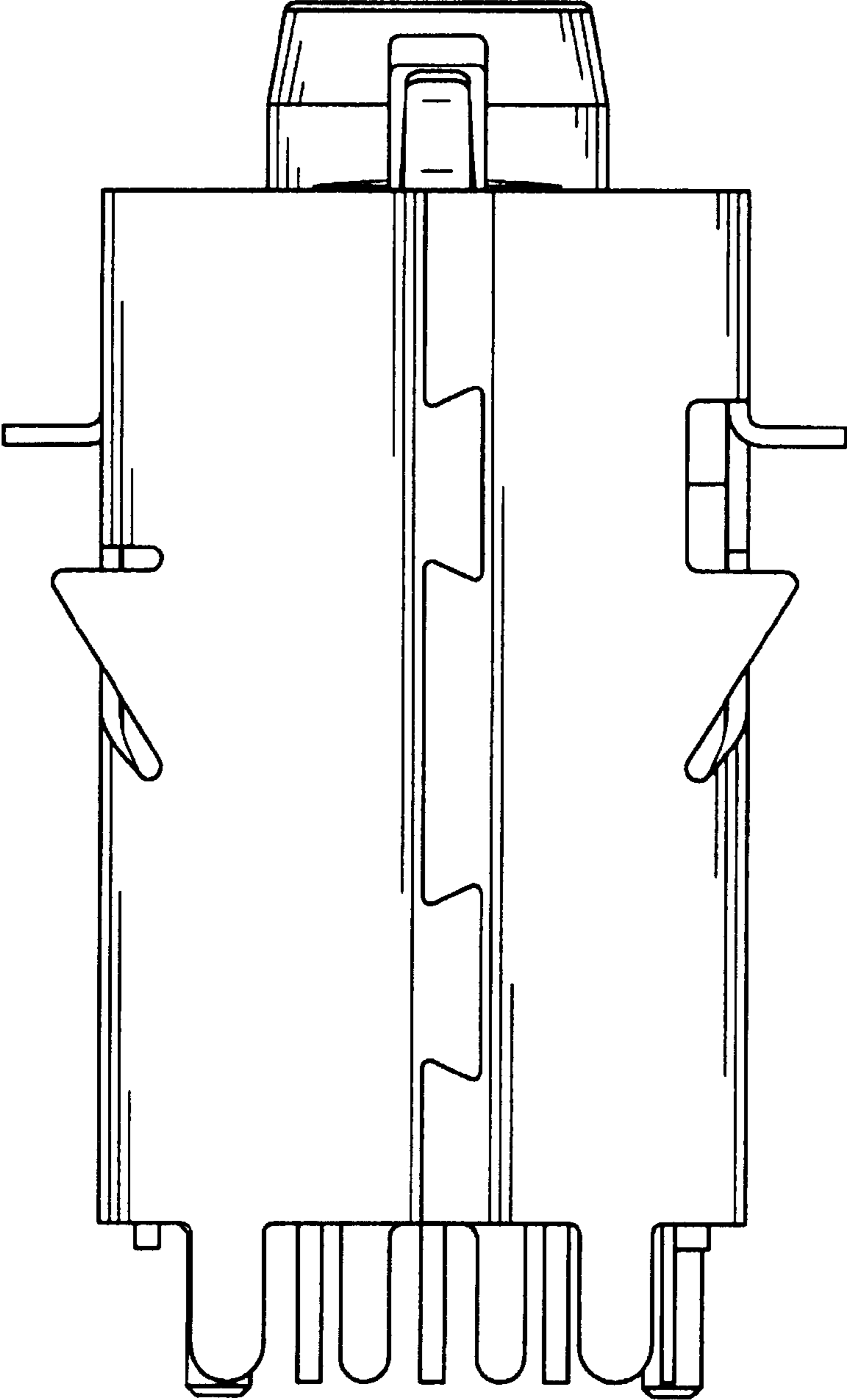


FIG. 3

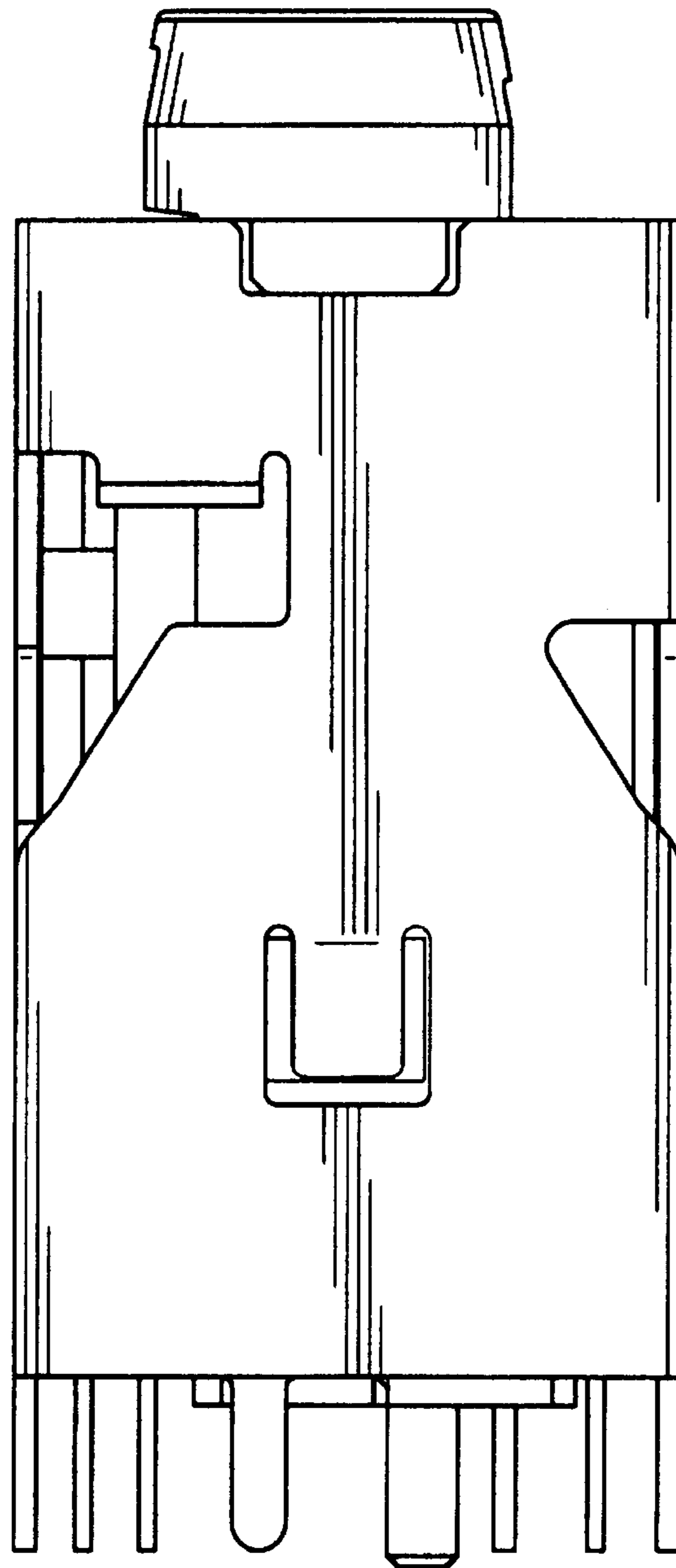


FIG. 4

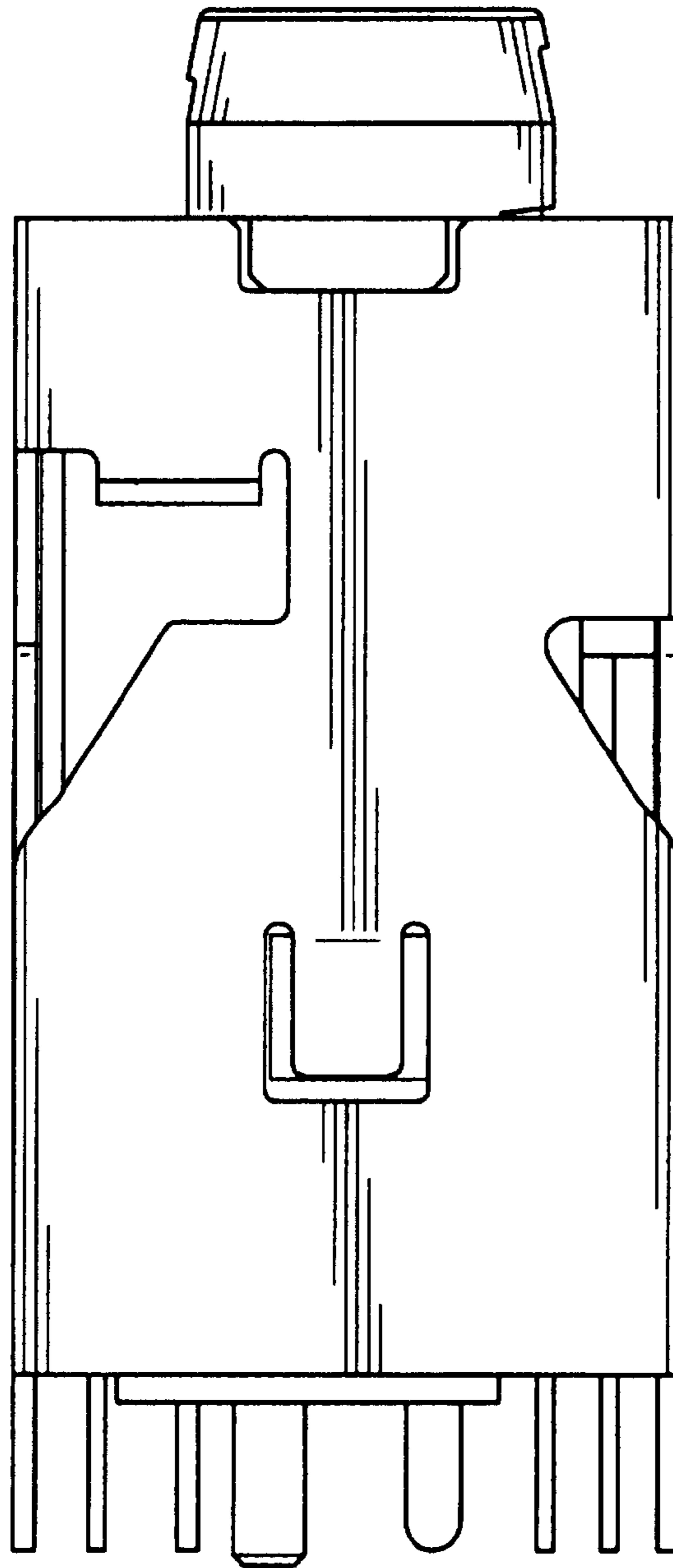


FIG. 5

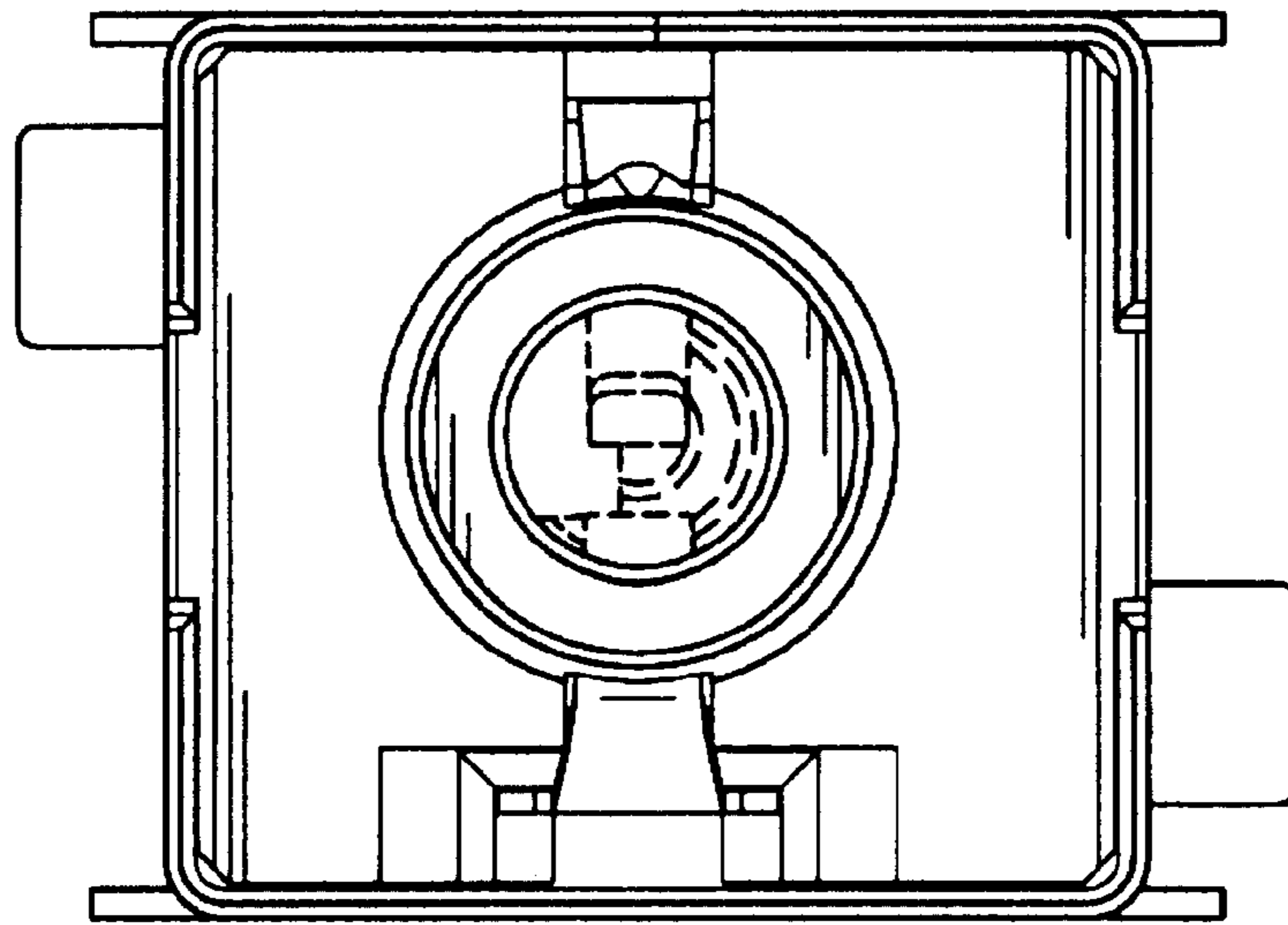


FIG. 6

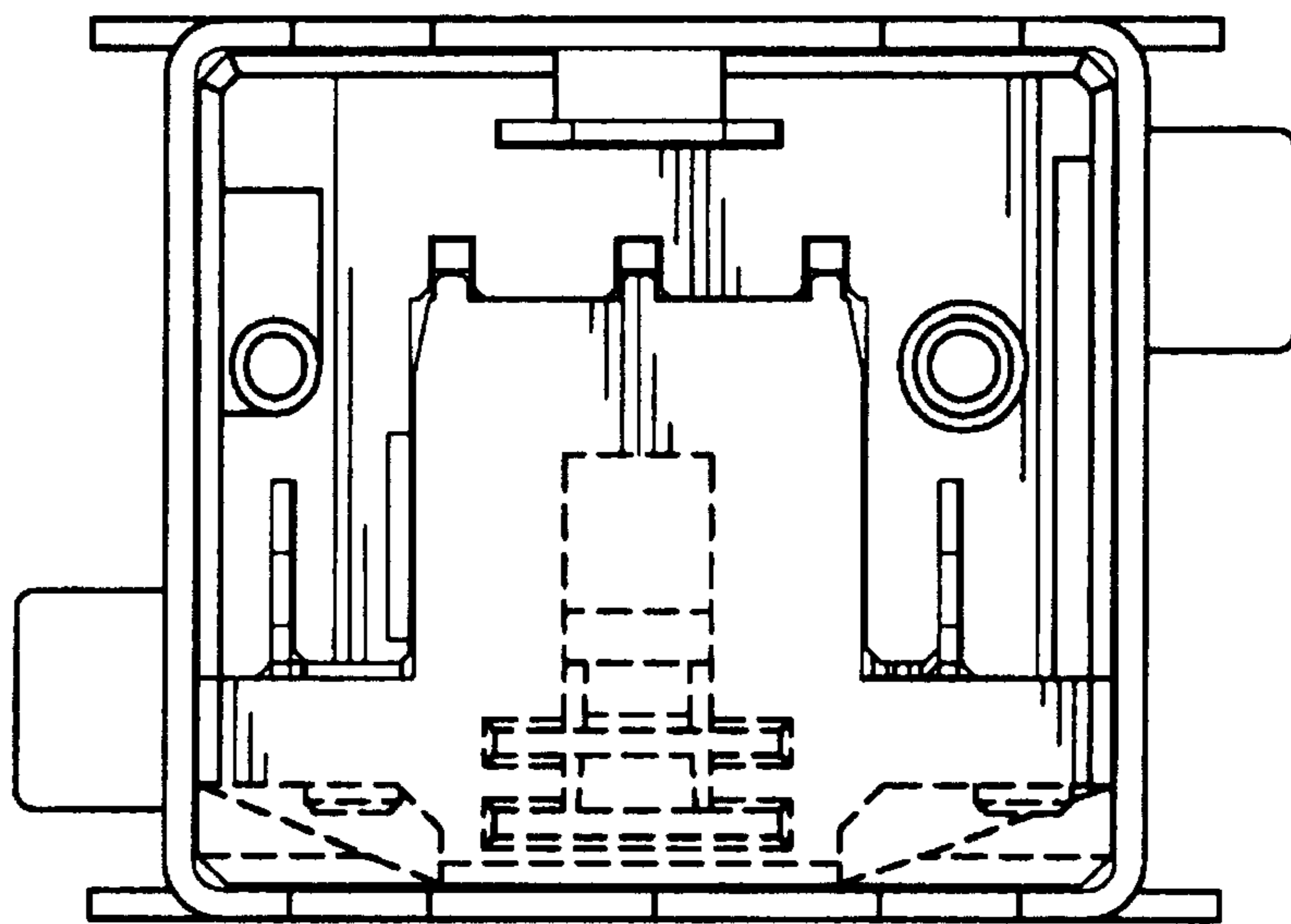


FIG. 7