

US00D507234S

(12) **United States Design Patent**
Heun

(10) **Patent No.:** **US D507,234 S**
(45) **Date of Patent:** **** Jul. 12, 2005**

(54) **BATTERY CHARGER**

(75) **Inventor:** **Ping Hay Heun, Aberdeen (HK)**

(73) **Assignee:** **Choon Nang Electrical Appliance Mfy., Ltd., Hong Kong (CN)**

(**) **Term:** **14 Years**

(21) **Appl. No.:** **29/209,081**

(22) **Filed:** **Jul. 9, 2004**

(30) **Foreign Application Priority Data**

Jun. 10, 2004 (EM) 000187406

(51) **LOC (8) Cl.** **13-02**

(52) **U.S. Cl.** **D13/107**

(58) **Field of Search** D13/107-110,
D13/118, 184; D14/251, 253, 432, 434;
D16/219, 237, 242; 320/107-115

(56) **References Cited**

U.S. PATENT DOCUMENTS

D278,426 S	*	4/1985	Lanci et al.	D13/107
D298,119 S	*	10/1988	Richards et al.	D13/108
D298,230 S	*	10/1988	Lay	D13/107
D349,485 S	*	8/1994	Richards et al.	D13/107
D367,651 S	*	3/1996	Hellier et al.	D14/149

5,742,149 A	*	4/1998	Simpson	320/113
5,780,991 A	*	7/1998	Brake et al.	320/112
6,346,793 B1	*	2/2002	Shibata et al.	320/113
D460,412 S	*	7/2002	Nawrozki	D13/107
D472,875 S	*	4/2003	Garvis et al.	D13/107
D487,570 S	*	3/2004	Ito et al.	D13/107
2003/0178968 A1	*	9/2003	Sakakibara et al.	320/110
2004/0135542 A1	*	7/2004	Ito	320/107

* cited by examiner

Primary Examiner—Alan P. Douglas

Assistant Examiner—Rosemary Tarca

(74) *Attorney, Agent, or Firm*—Alix, Yale & Ristas, LLP

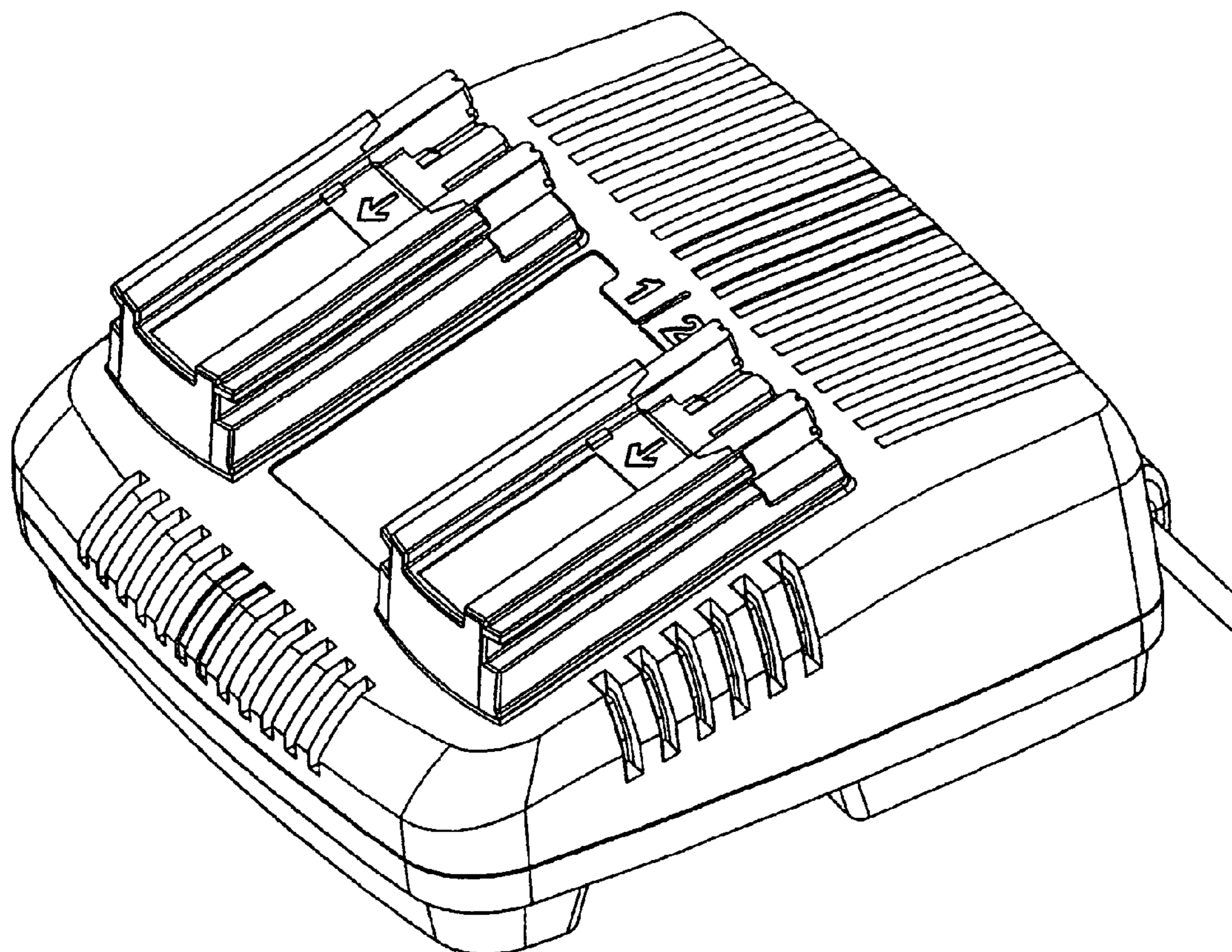
(57) **CLAIM**

The ornamental design for a battery charger, as shown and described.

DESCRIPTION

FIG. 1 is a front, right side and top perspective view of a battery charger showing my new design; FIG. 2 is a right side elevational view thereof; FIG. 3 is a left side elevational view thereof; FIG. 4 is a front side elevational view thereof; FIG. 5 is a rear side elevational view thereof; FIG. 6 is a top plan view thereof; and, FIG. 7 is a bottom plan view thereof.

1 Claim, 6 Drawing Sheets



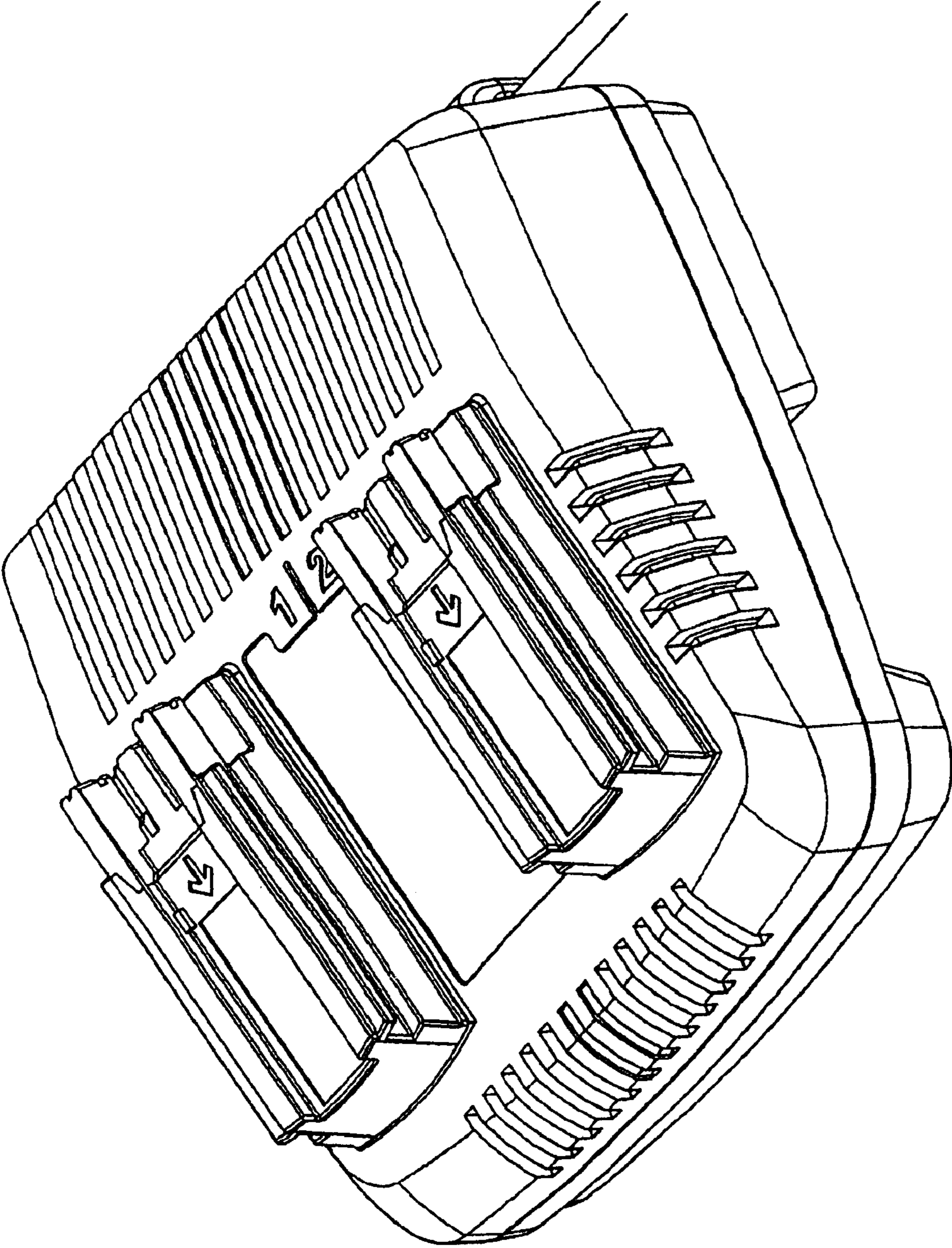


FIG. 1

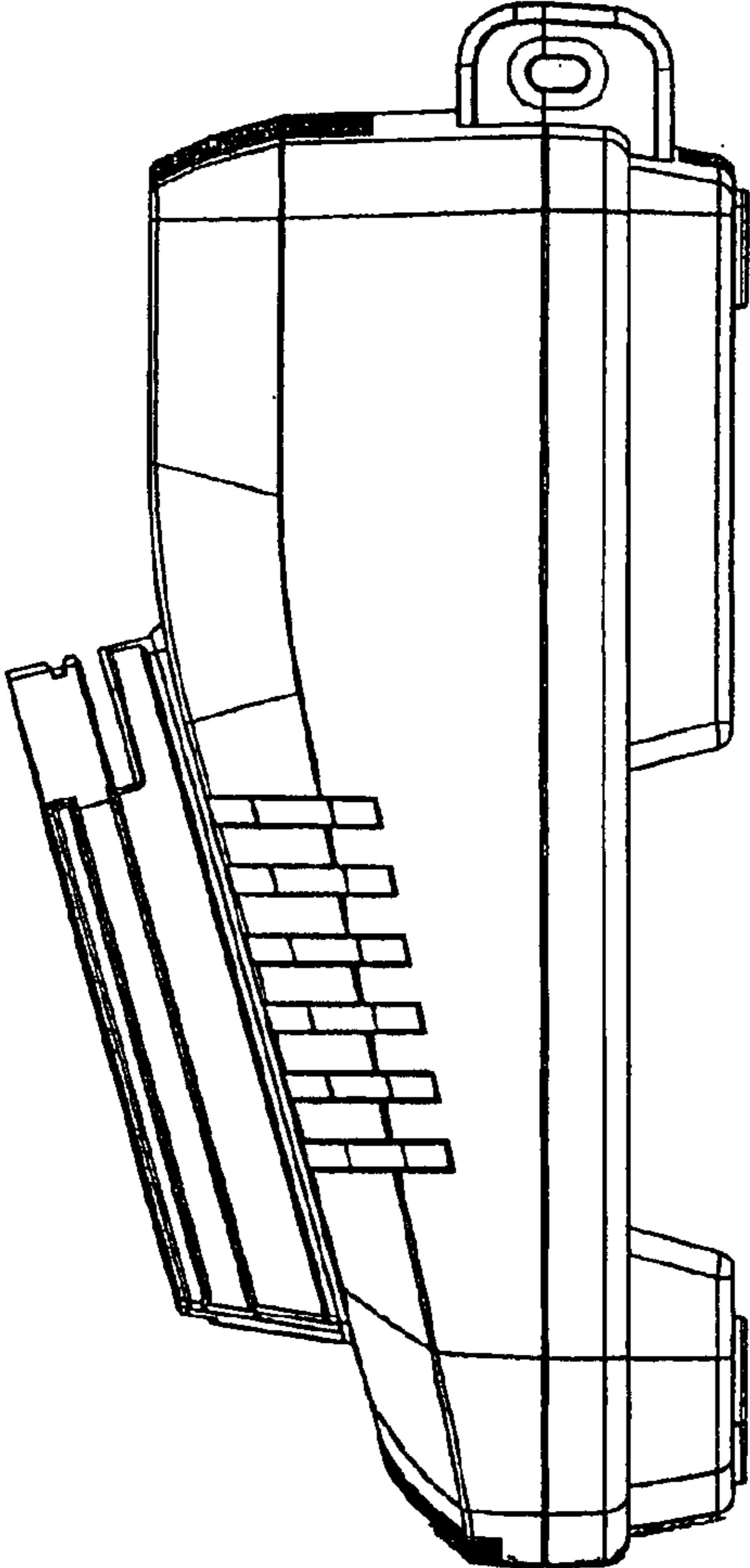


FIG. 2

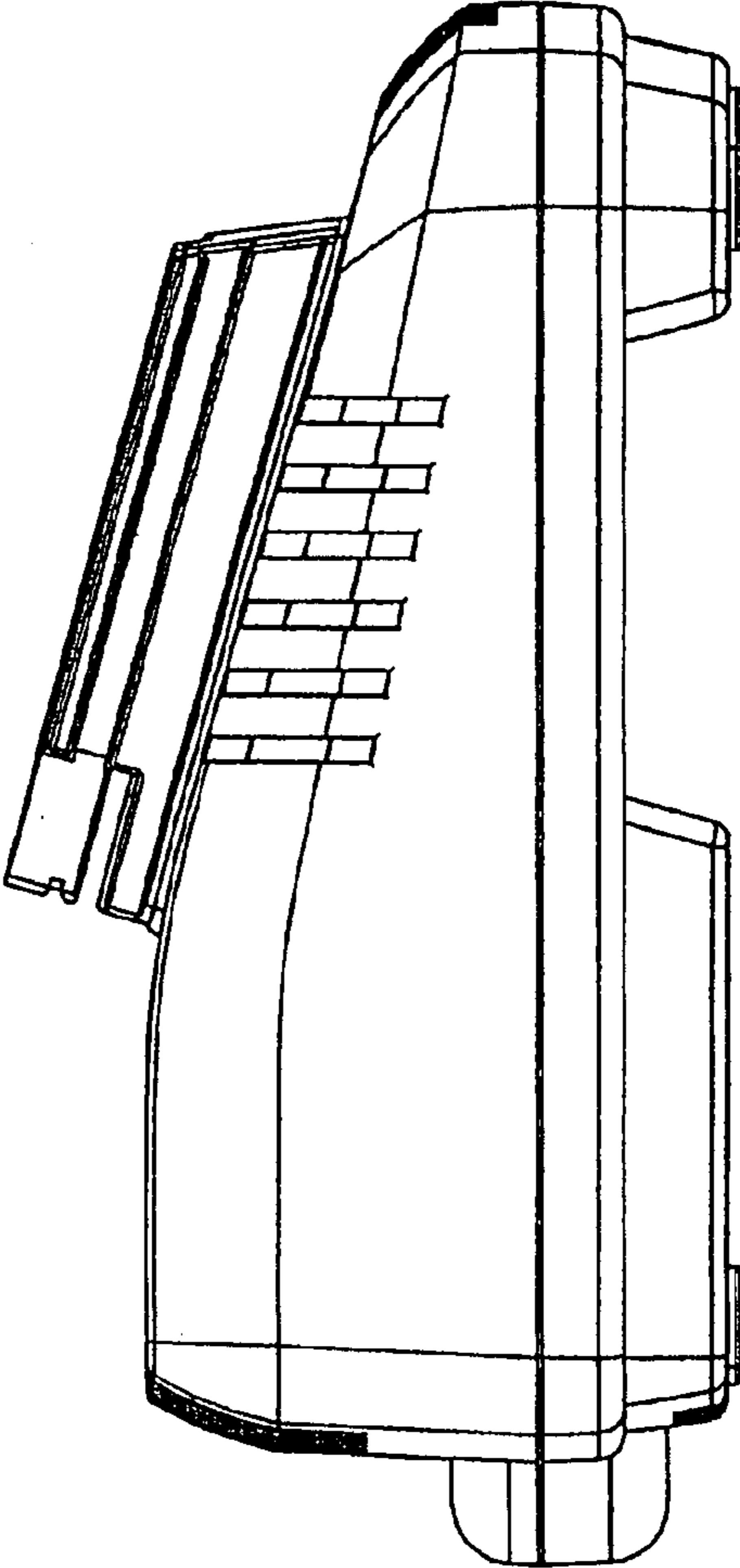


FIG. 3

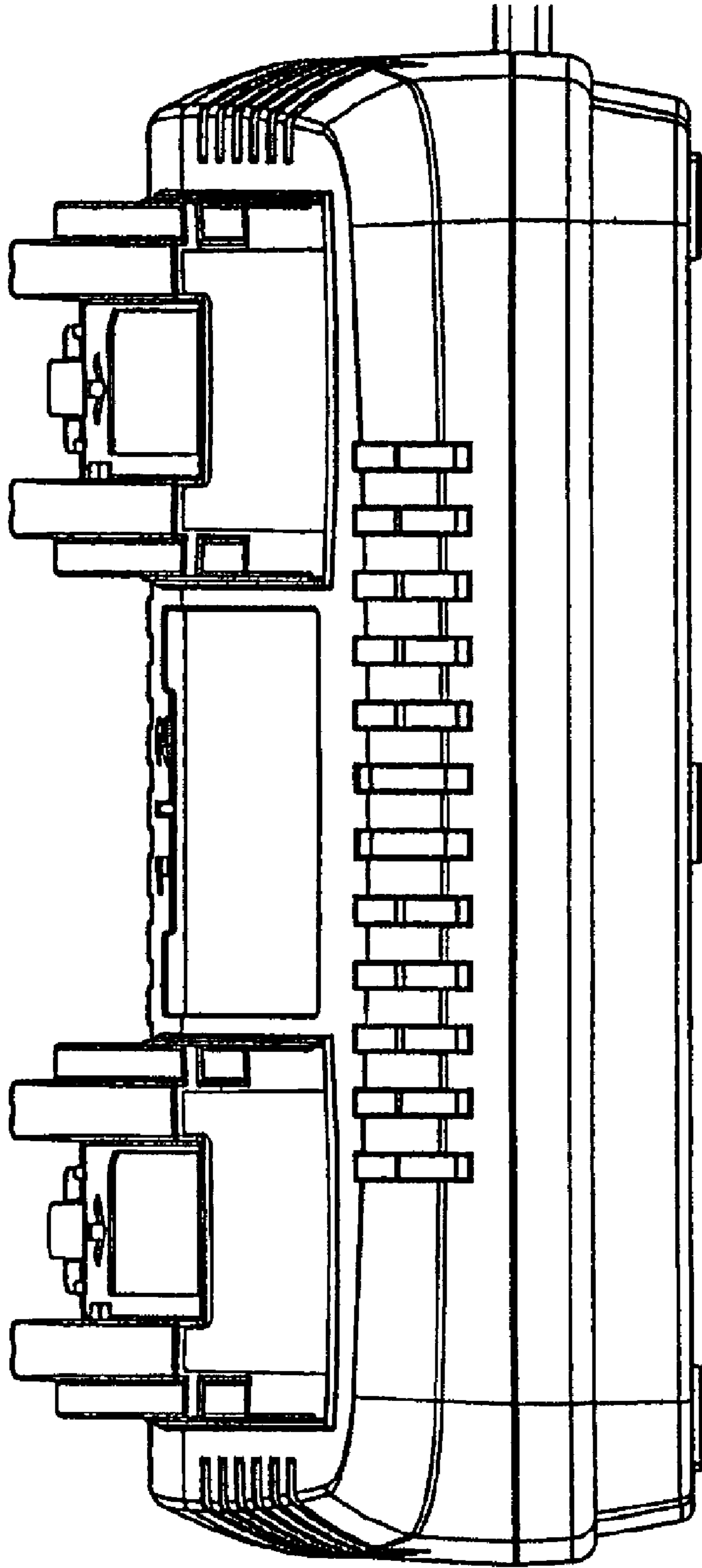


FIG. 4

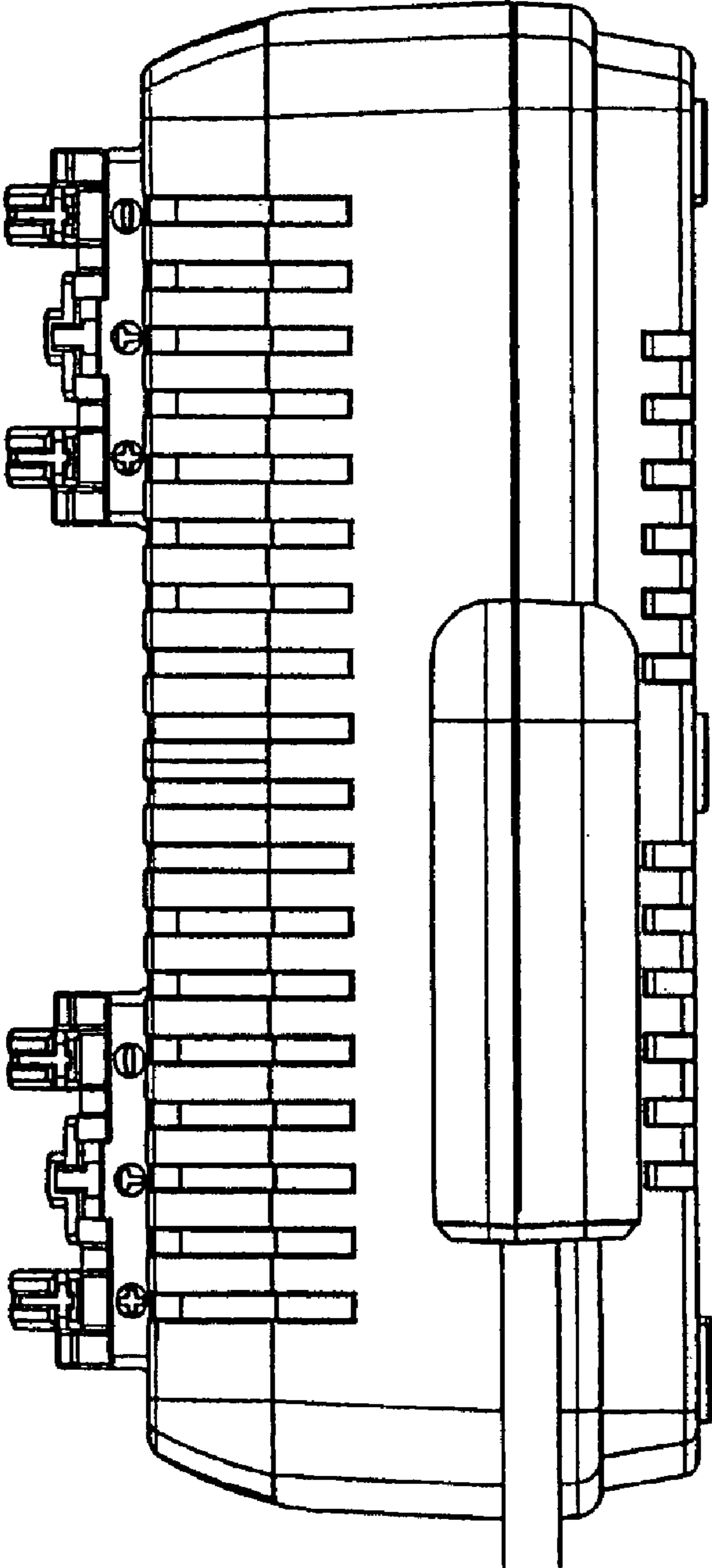


FIG. 5

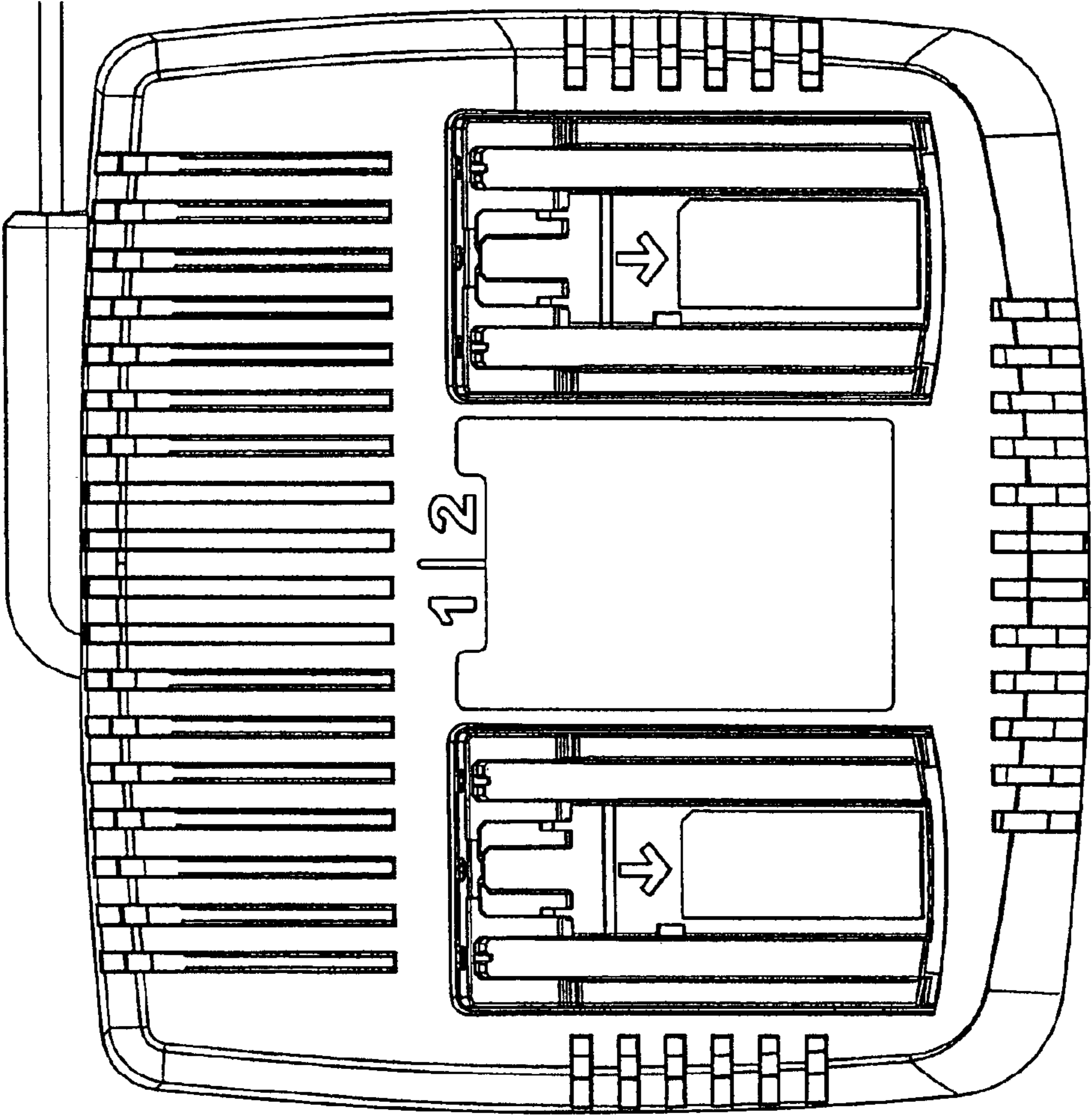


FIG. 6

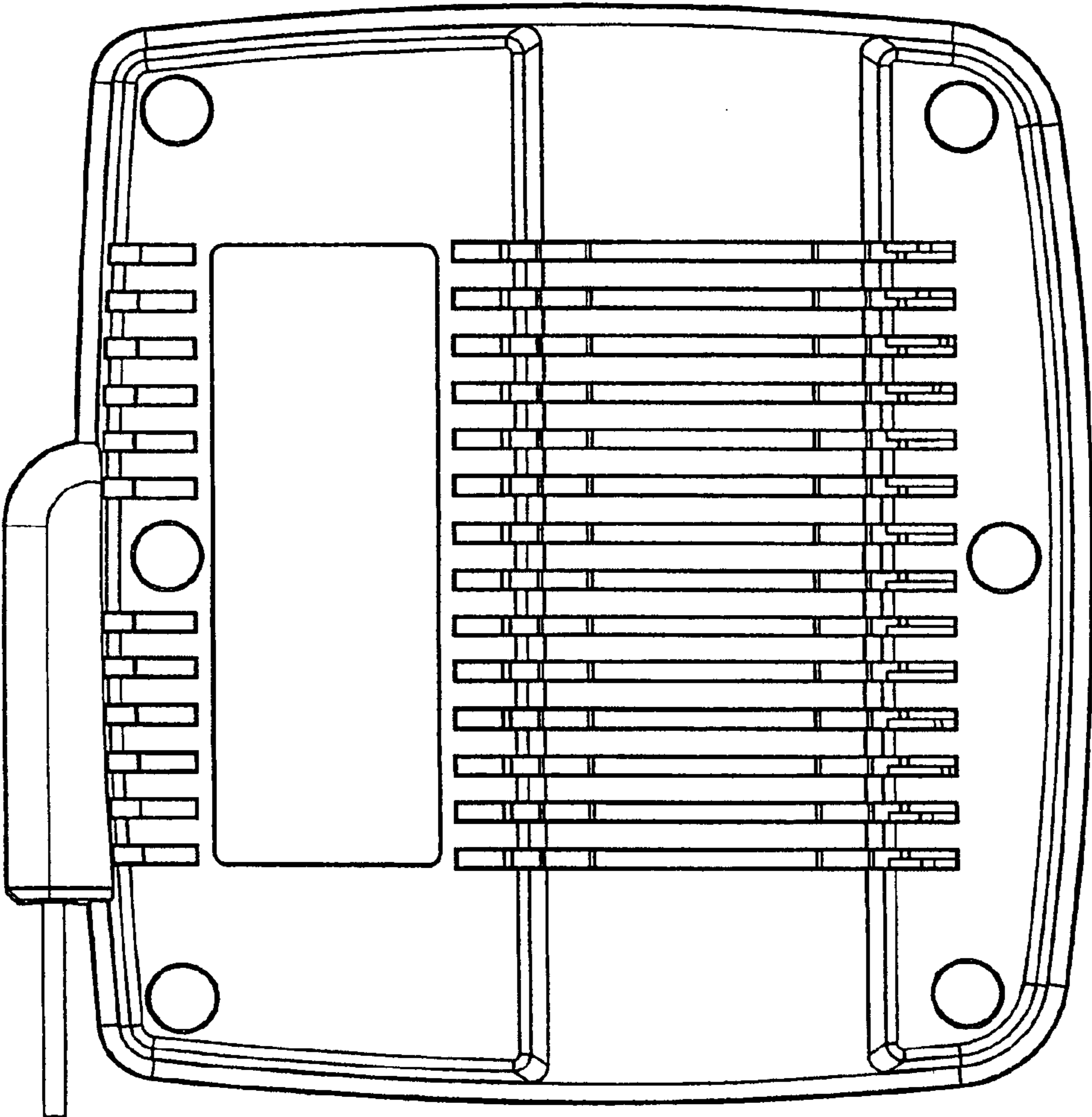


FIG. 7