

US00D507224S

(12) **United States Design Patent**
Pfeiffer

(10) **Patent No.:** **US D507,224 S**
(45) **Date of Patent:** **** Jul. 12, 2005**

(54) **FRONT FACE OF A VEHICLE WHEEL**

(75) **Inventor:** **Peter Pfeiffer**, Boeblingen (DE)

(73) **Assignee:** **DaimlerChrysler AG**, Stuttgart (DE)

(**) **Term:** **14 Years**

(21) **Appl. No.:** **29/189,864**

(22) **Filed:** **Sep. 12, 2003**

(30) **Foreign Application Priority Data**

Mar. 14, 2003 (DE) 4 03 02 100

(51) **LOC (8) Cl.** **12-16**

(52) **U.S. Cl.** **D12/211**

(58) **Field of Search** D12/204-213;
301/37.101, 64.101, 65

(56) **References Cited**

U.S. PATENT DOCUMENTS

- D84,318 S * 6/1931 Beutke et al. D12/209
- D84,321 S * 6/1931 Beutke et al. D12/209
- D374,648 S * 10/1996 Pfeiffer D12/209
- D423,445 S * 4/2000 Baumgartner D12/211
- D441,339 S * 5/2001 Hussaini et al. D12/211
- D444,119 S * 6/2001 Brintouch D12/211
- D451,066 S * 11/2001 Pfeiffer et al. D12/211

- D455,702 S * 4/2002 Cullen D12/211
- D457,119 S * 5/2002 Braun et al. D12/211
- D473,836 S * 4/2003 Laengerer D12/211
- D475,669 S * 6/2003 Boyer D12/209
- D476,284 S * 6/2003 Pfeiffer et al. D12/211
- D487,569 S * 3/2004 Laengerer D12/211

* cited by examiner

Primary Examiner—Stacia Cadmus

(74) *Attorney, Agent, or Firm*—Crowell & Moring LLP

(57) **CLAIM**

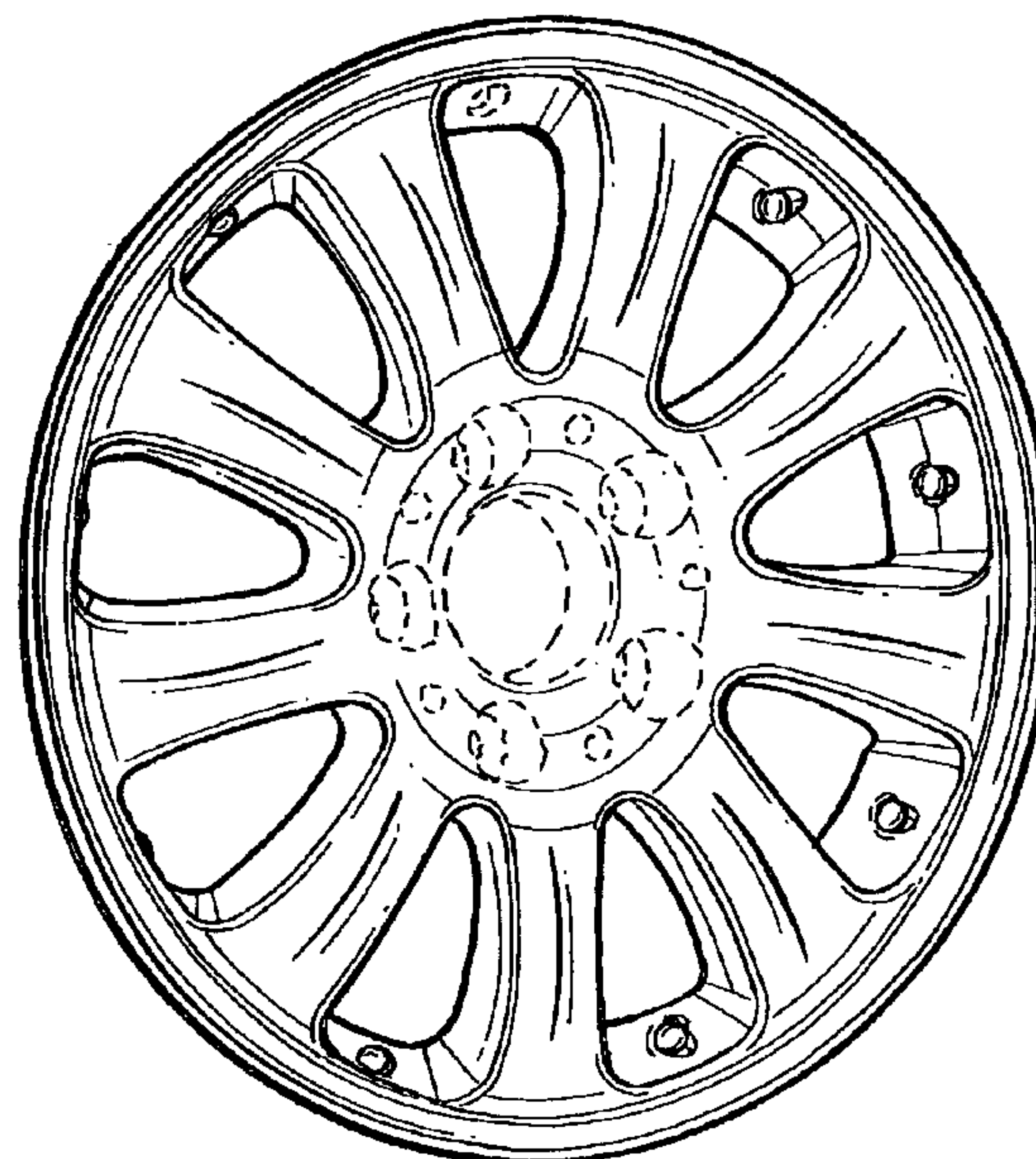
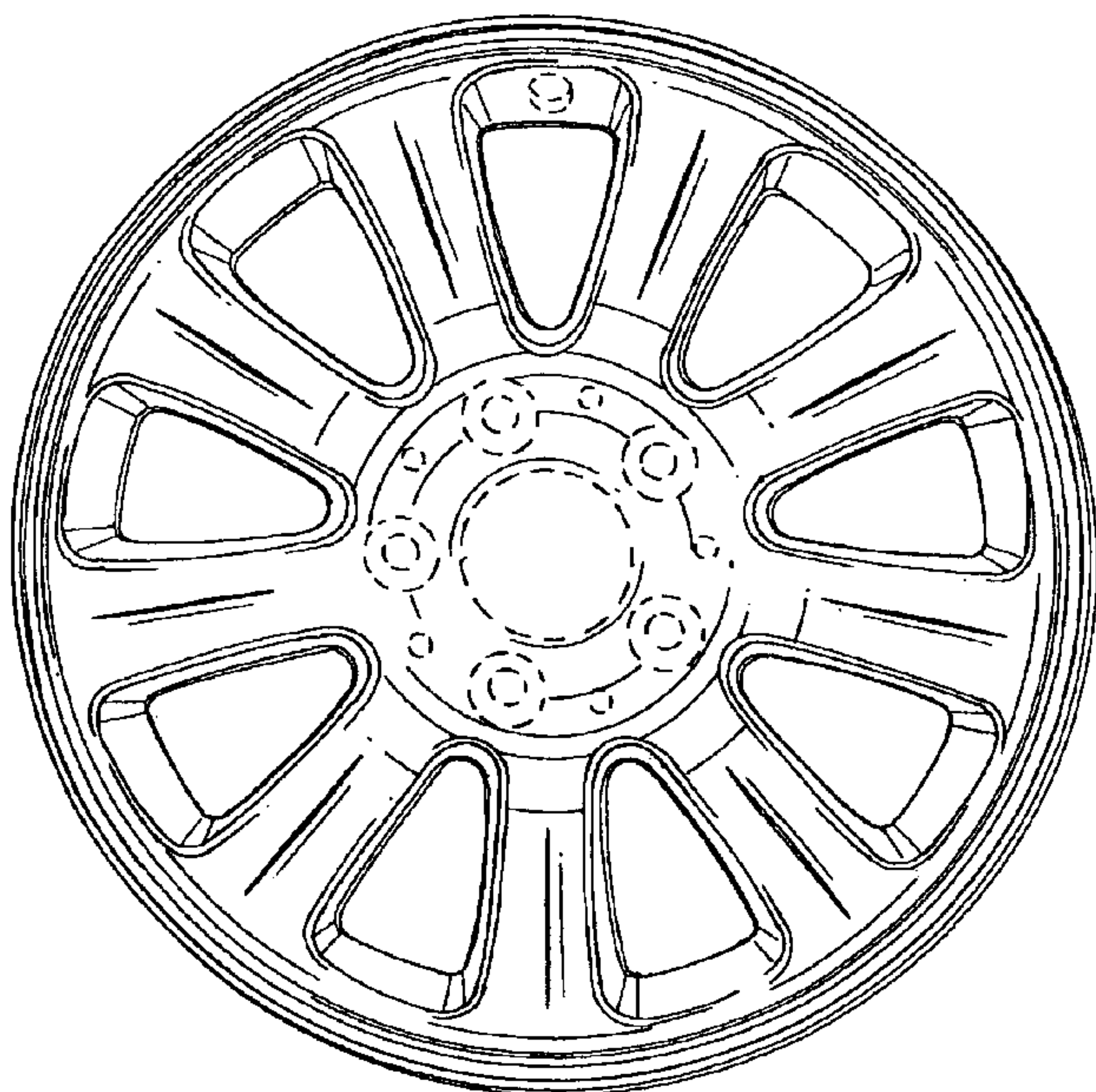
The ornamental design for a front face of a vehicle wheel, as shown and described.

DESCRIPTION

FIG. 1 is a front view of a first embodiment of a front face of a vehicle wheel according to my novel design; FIG. 2 is a perspective view of the first embodiment of the front face of a vehicle wheel according to my novel design; FIG. 3 is a front view of a second embodiment of the front face of a vehicle wheel according to my novel design; and, FIG. 4 is a perspective view of the second embodiment of the front face of a vehicle wheel according to my novel design.

The broken lines are for illustrative purposes only and form no part of the claimed design.

1 Claim, 2 Drawing Sheets



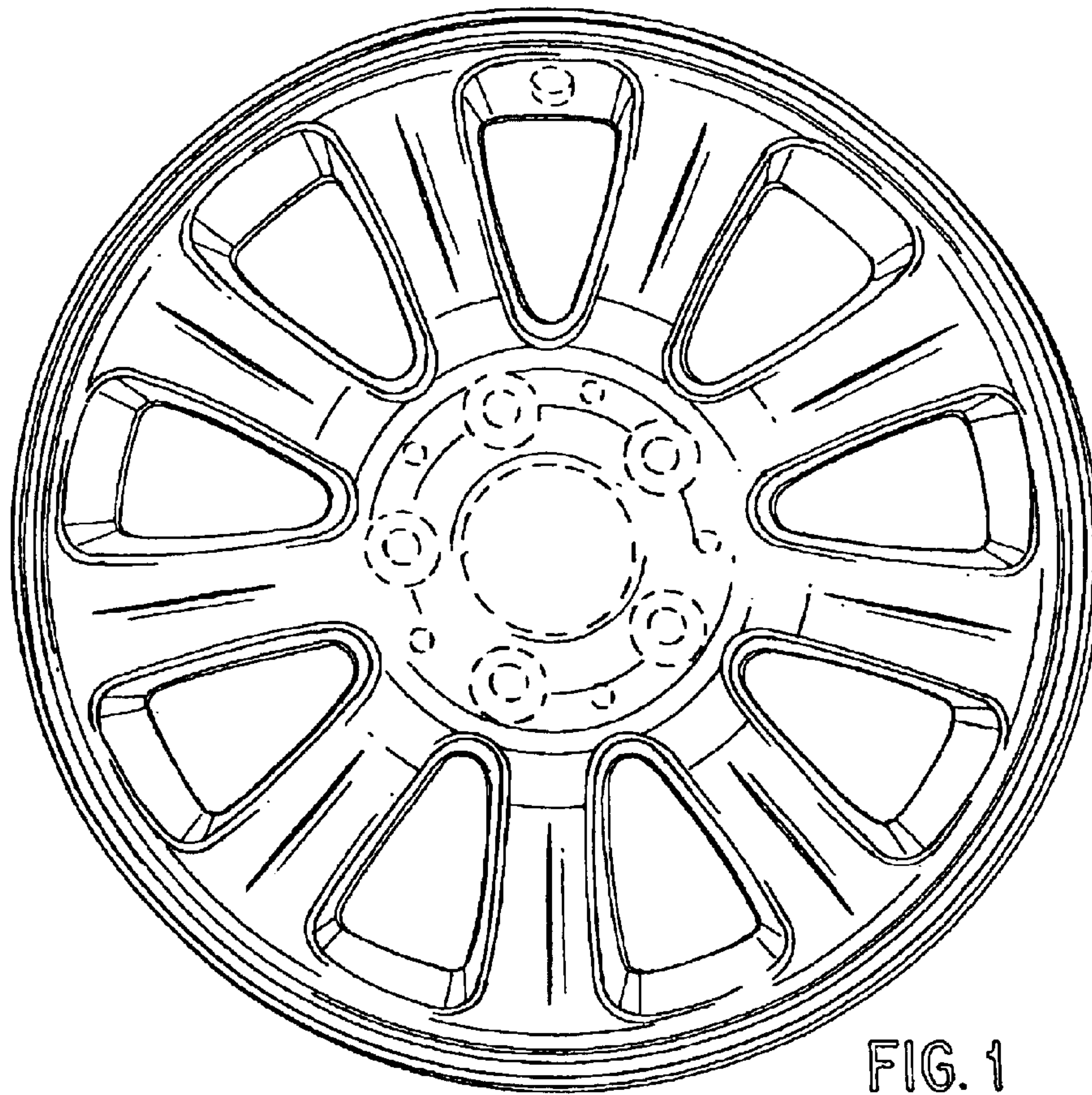


FIG. 1

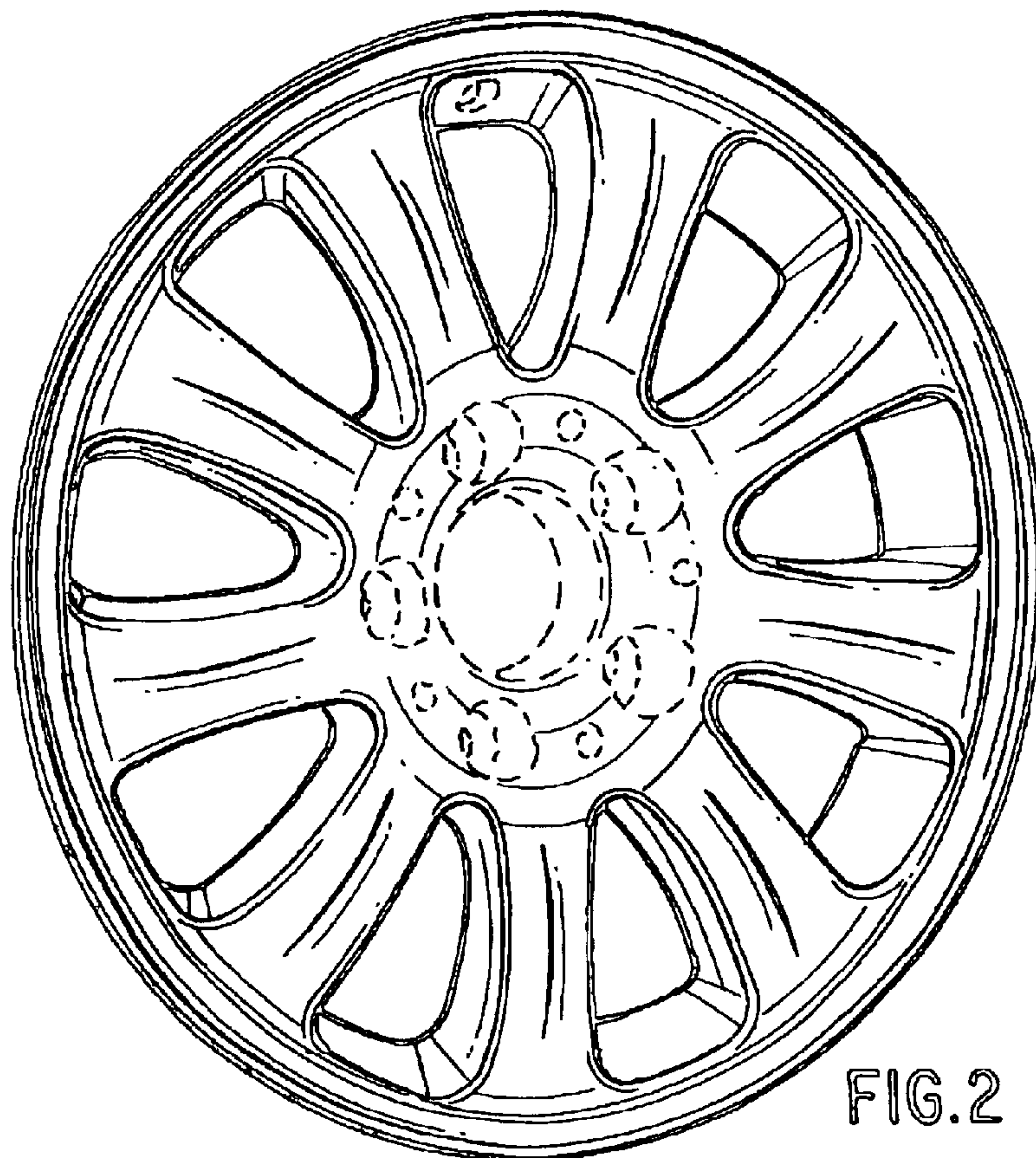


FIG. 2

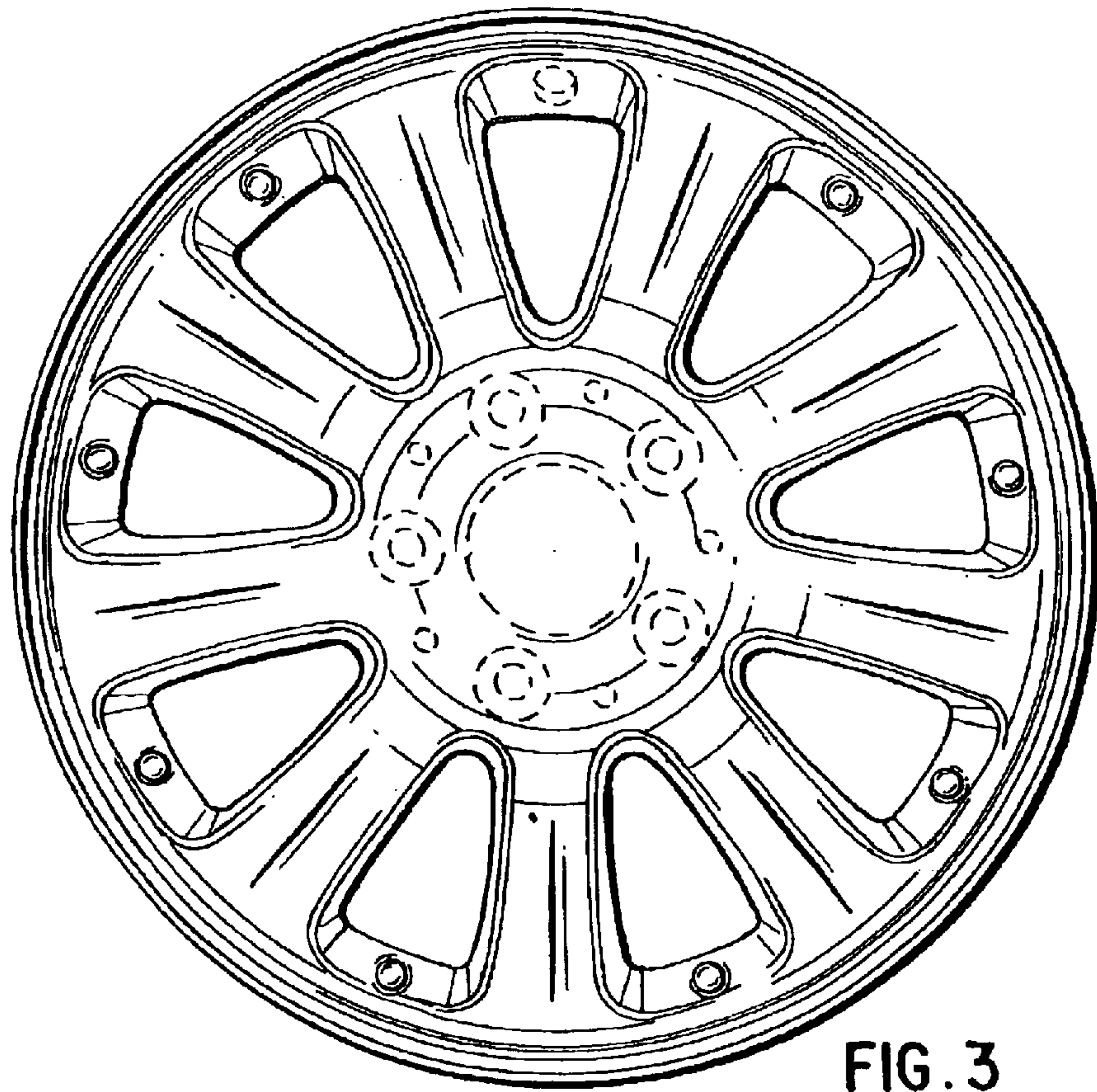


FIG. 3

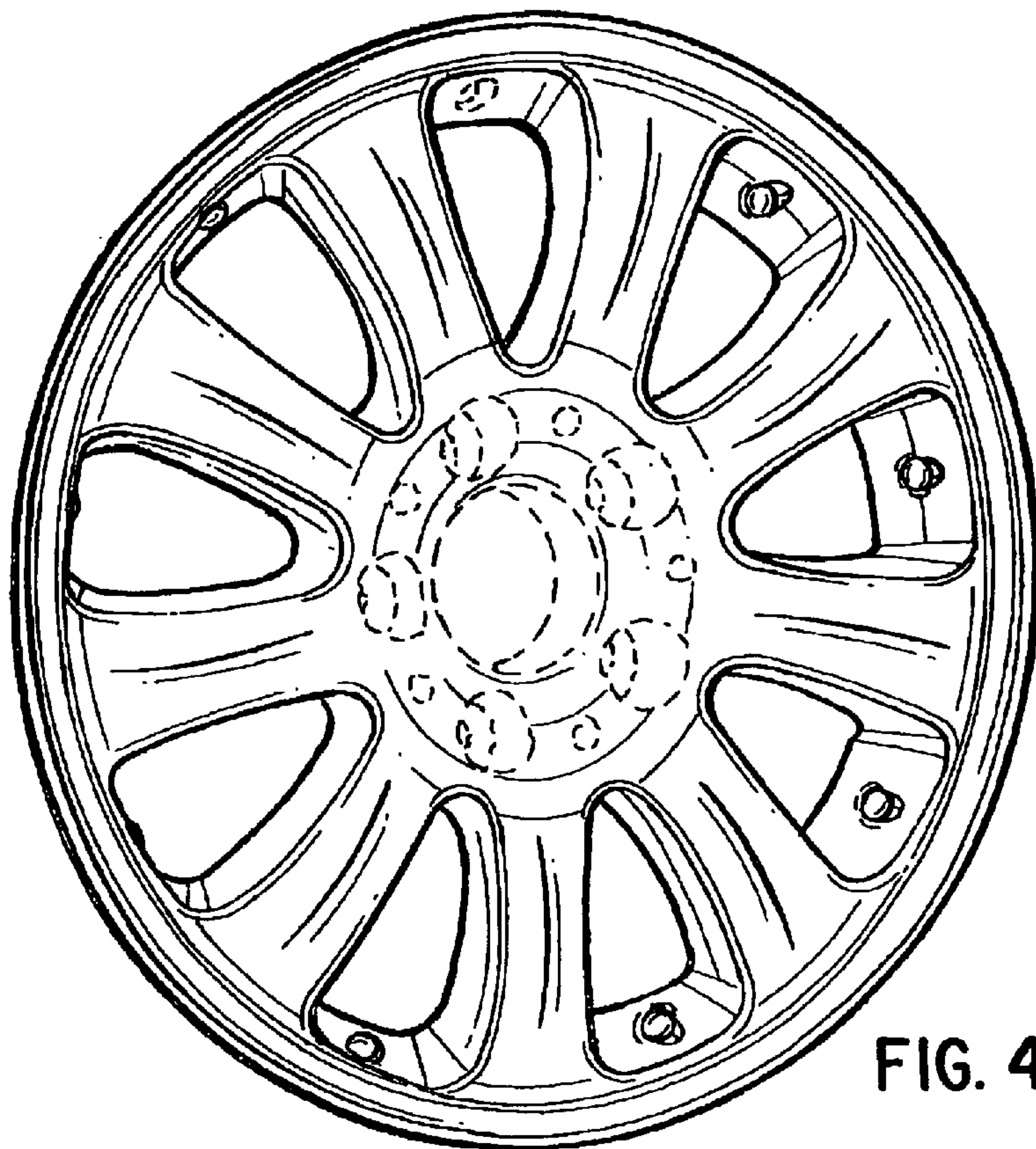


FIG. 4