



US00D507223S

(12) **United States Design Patent**
Szavits

(10) **Patent No.:** **US D507,223 S**
(45) **Date of Patent:** **** Jul. 12, 2005**

(54) **FRONT FACE OF A VEHICLE WHEEL**

(75) **Inventor:** **Michael Szavits, Munich (DE)**

(73) **Assignee:** **Bayerische Motoren Werke
Aktiengesellschaft, Munich (DE)**

(**) **Term:** **14 Years**

(21) **Appl. No.:** **29/214,255**

(22) **Filed:** **Sep. 30, 2004**

(51) **LOC (8) Cl.** **12-16**

(52) **U.S. Cl.** **D12/209**

(58) **Field of Search** **D12/204-213;**
301/37.101, 64.101, 65

(56) **References Cited**

U.S. PATENT DOCUMENTS

D197,840 S	*	3/1964	Deaver	D12/209
D436,907 S	*	1/2001	Ong	D12/209
D448,713 S	*	10/2001	Ong	D12/209
D454,821 S	*	3/2002	Pfeiffer	D12/209

D462,643 S	*	9/2002	Murkett et al.	D12/211
D465,758 S	*	11/2002	Plessing	D12/211
D466,459 S	*	12/2002	Murkett et al.	D12/209
D467,856 S	*	12/2002	Pfeiffer	D12/209
D480,031 S	*	9/2003	Mattin et al.	D12/209
D486,110 S	*	2/2004	Elmitt	D12/211
D493,400 S	*	7/2004	Pfeiffer et al.	D12/209
D500,004 S	*	12/2004	Szavits	D12/211

* cited by examiner

Primary Examiner—Stacia Cadmus

(74) *Attorney, Agent, or Firm*—Crowell & Moring LLP

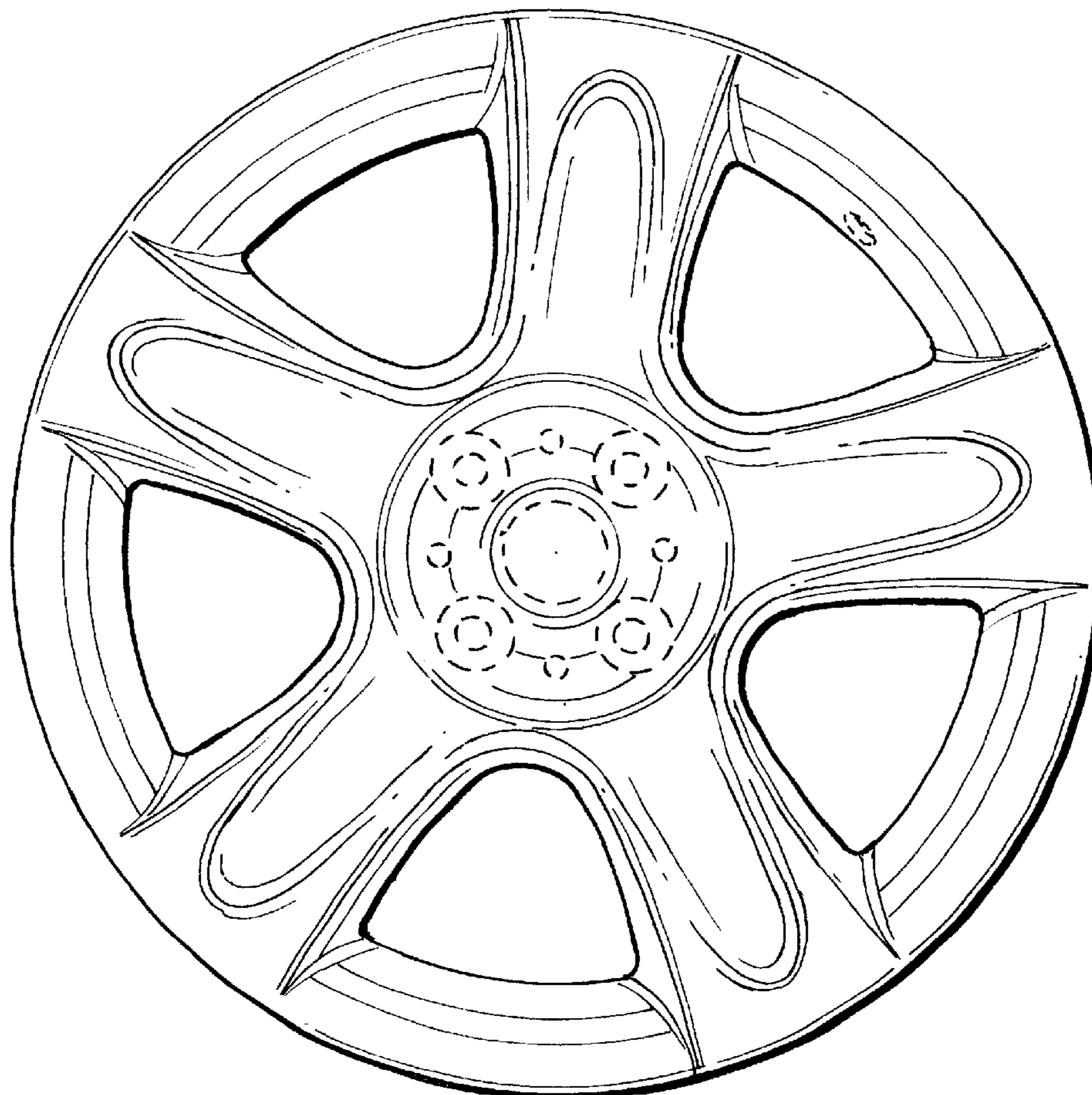
(57) **CLAIM**

The ornamental design for a front face of a vehicle wheel, as shown and described.

DESCRIPTION

FIG. 1 is a front view of a front face of a vehicle wheel according to my novel design; and, FIG. 2 is a perspective view of the front face of a vehicle wheel according to my novel design.

1 Claim, 1 Drawing Sheet



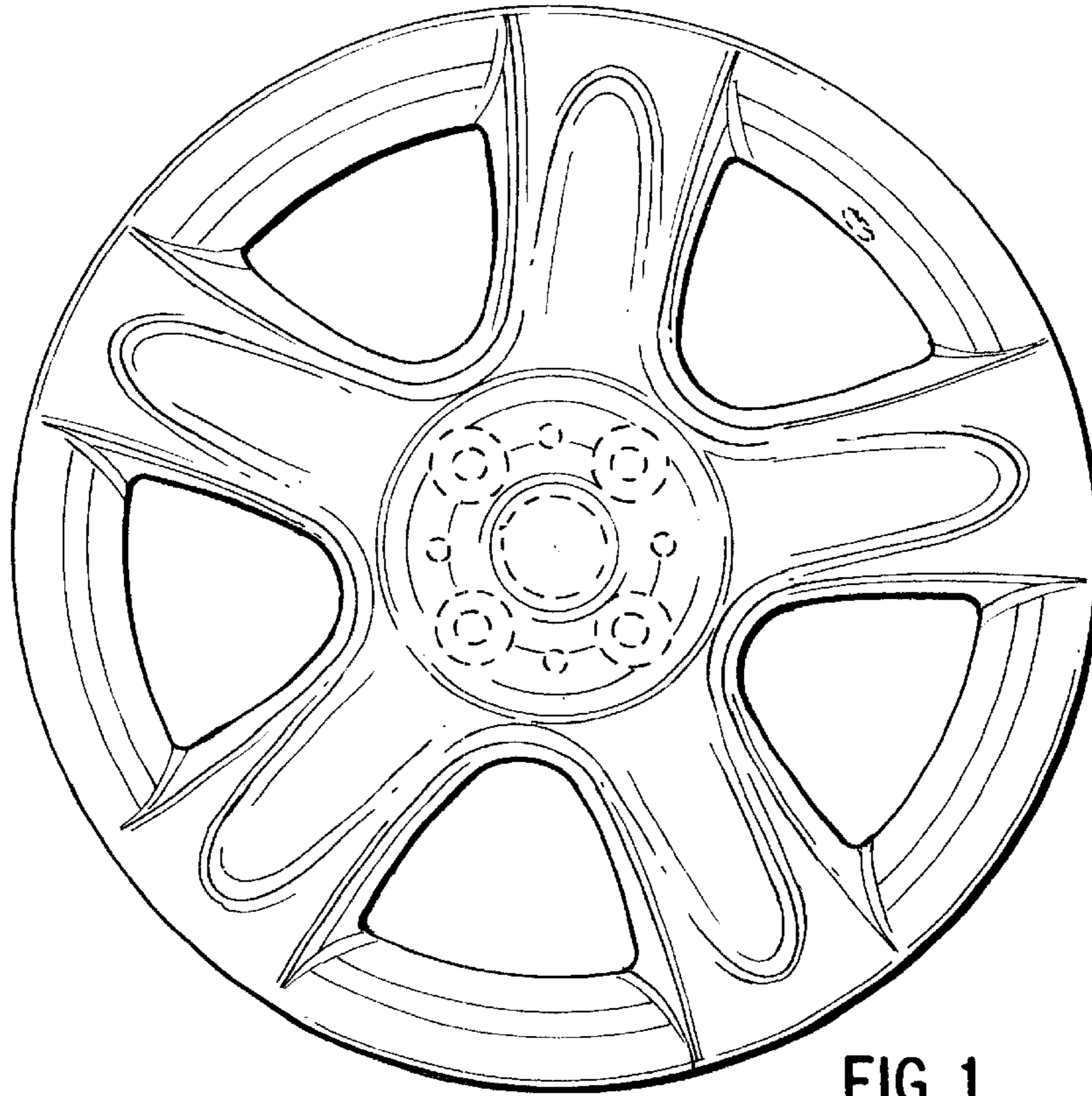


FIG. 1

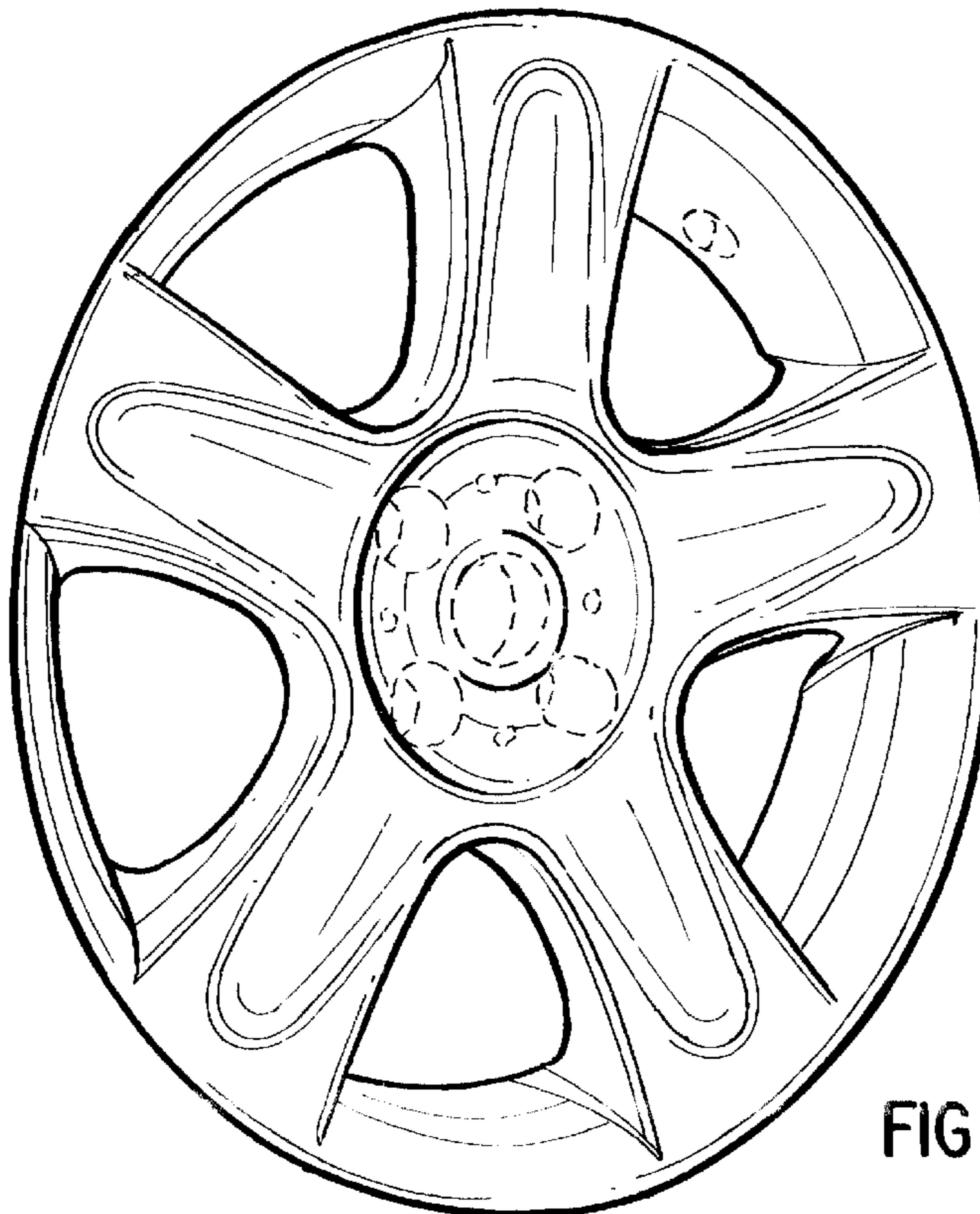


FIG. 2