

US00D507222S

(12) **United States Design Patent**  
**Arellano et al.**

(10) **Patent No.:** **US D507,222 S**  
(45) **Date of Patent:** **\*\* Jul. 12, 2005**

(54) **FRONT FACE OF A VEHICLE WHEEL**

(75) Inventors: **Joseph Arellano**, Winchester, CA (US);  
**Corey Kiesel**, San Diego, CA (US)

(73) Assignee: **Wheel Pros, Inc.**, Lakewood, CO (US)

(\*\*) Term: **14 Years**

(21) Appl. No.: **29/212,072**

(22) Filed: **Aug. 25, 2004**

(51) **LOC (8) Cl.** ..... **12-16**

(52) **U.S. Cl.** ..... **D12/209**

(58) **Field of Search** ..... D12/204–213;  
301/37.101, 64.101, 65

(56) **References Cited**

**U.S. PATENT DOCUMENTS**

D457,849 S	*	5/2002	Kataoka	.....	D12/209
D459,691 S	*	7/2002	Takechi	.....	D12/211
D461,155 S	*	8/2002	Takechi	.....	D12/209
D467,857 S	*	12/2002	Chung	.....	D12/209
D471,500 S	*	3/2003	Kataoka	.....	D12/209
D475,962 S	*	6/2003	Chung	.....	D12/211
D481,347 S	*	10/2003	Kang	.....	D12/211
D487,882 S	*	3/2004	Cahyono	.....	D12/209

D488,116 S	*	4/2004	Chung	.....	D12/209
D488,422 S	*	4/2004	Hartanto	.....	D12/209
D488,762 S	*	4/2004	Cahyono	.....	D12/209
D492,234 S	*	6/2004	Kataoka	.....	D12/209
D492,240 S	*	6/2004	Suciu	.....	D12/211
D493,406 S	*	7/2004	Kataoka	.....	D12/211
D494,523 S	*	8/2004	Koenigsberg	.....	D12/209
D495,285 S	*	8/2004	Phillips	.....	D12/209
D497,133 S	*	10/2004	Cheng	.....	D12/209
D499,060 S	*	11/2004	Cahyono	.....	D12/209

\* cited by examiner

*Primary Examiner*—Stacia Cadmus

(74) *Attorney, Agent, or Firm*—Charles C. H. Wu; Wu & Cheung, LLP

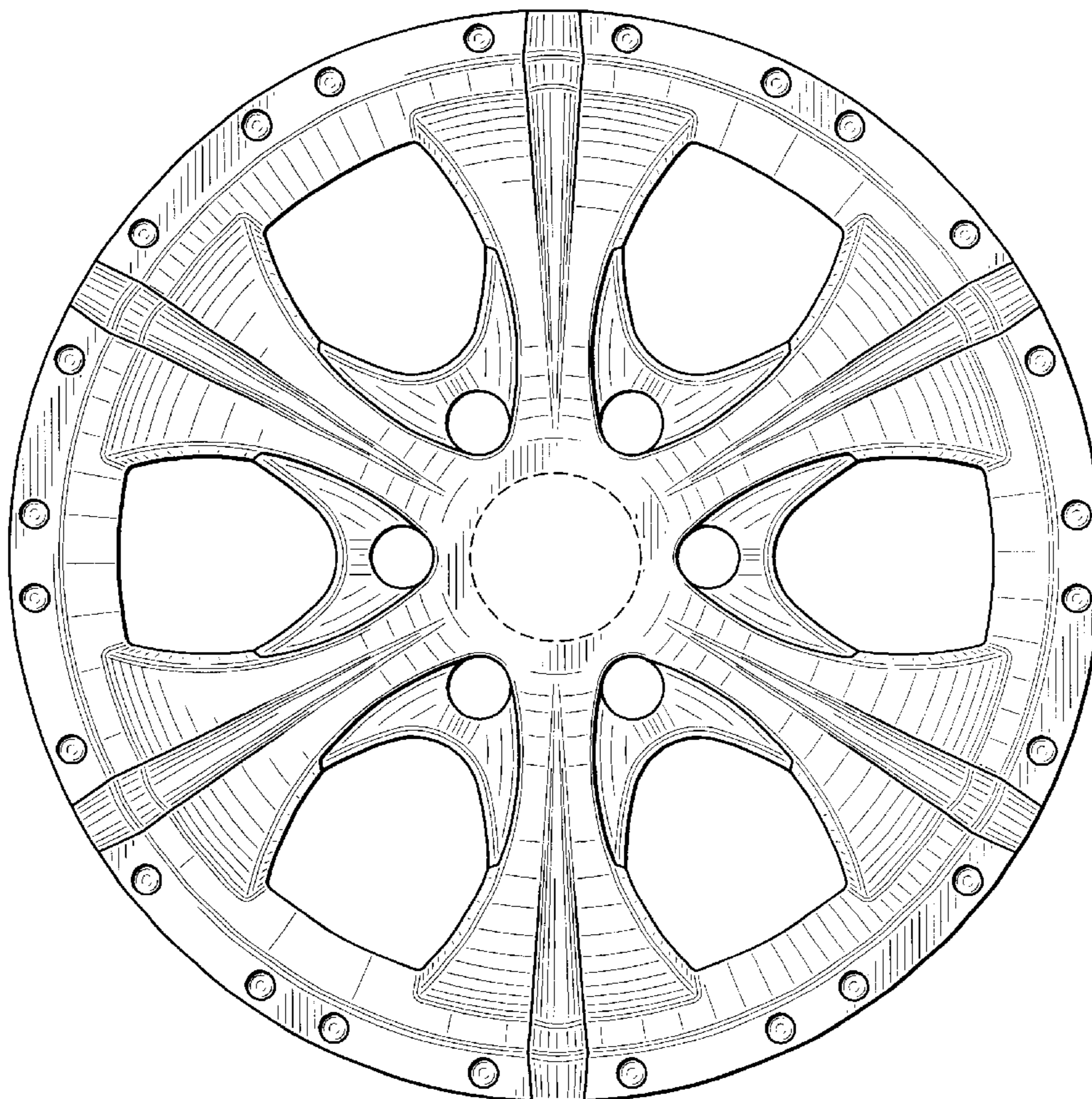
(57) **CLAIM**

The ornamental design a front face of a vehicle wheel, as shown and described.

**DESCRIPTION**

FIG. 1 is a front view of a front face of a vehicle wheel showing our new design; and, FIG. 2 is a perspective view thereof. The broken line showing of environment is for illustrative purposes only and forms no part of the claimed design.

**1 Claim, 2 Drawing Sheets**



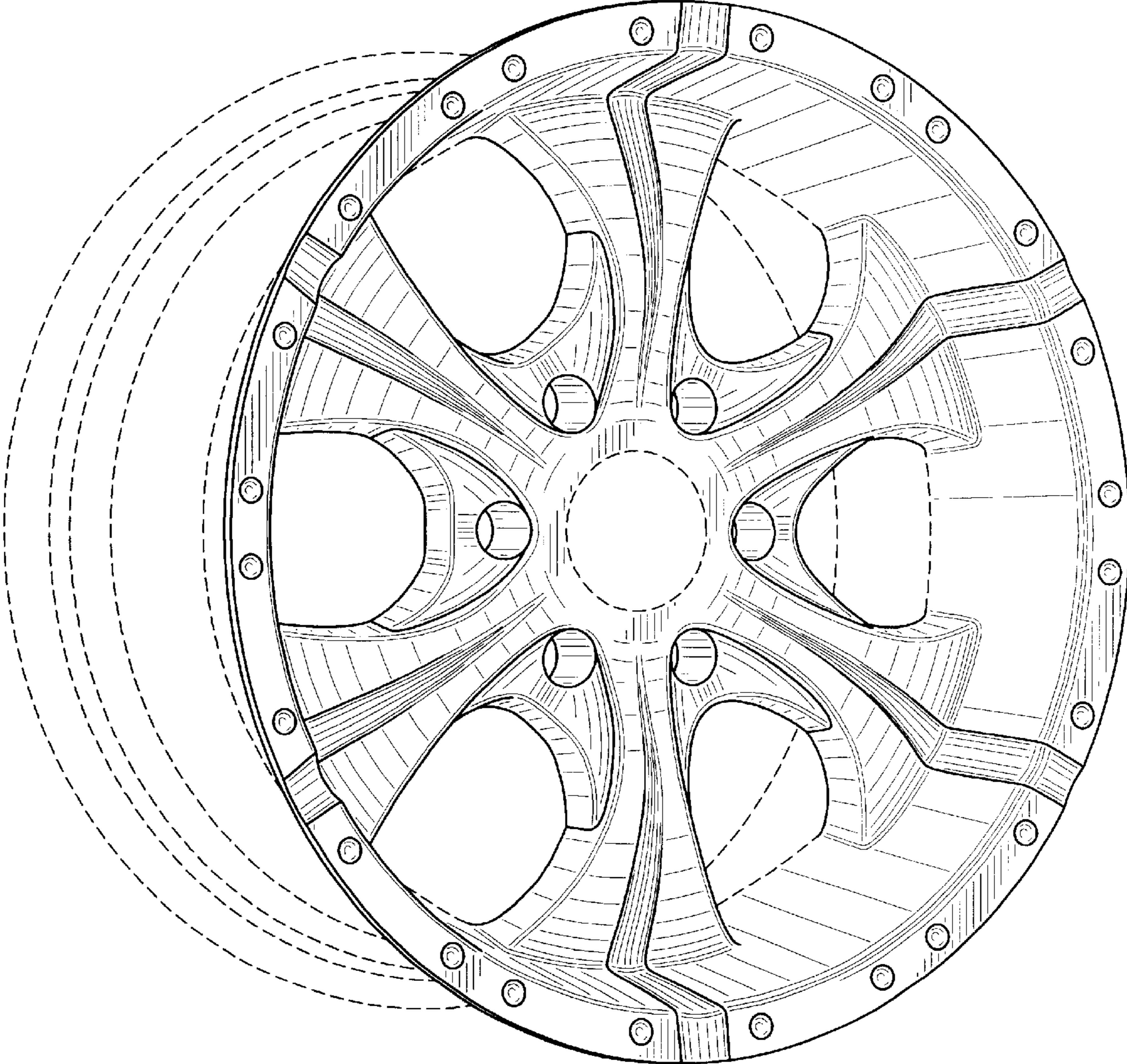


FIG. 1

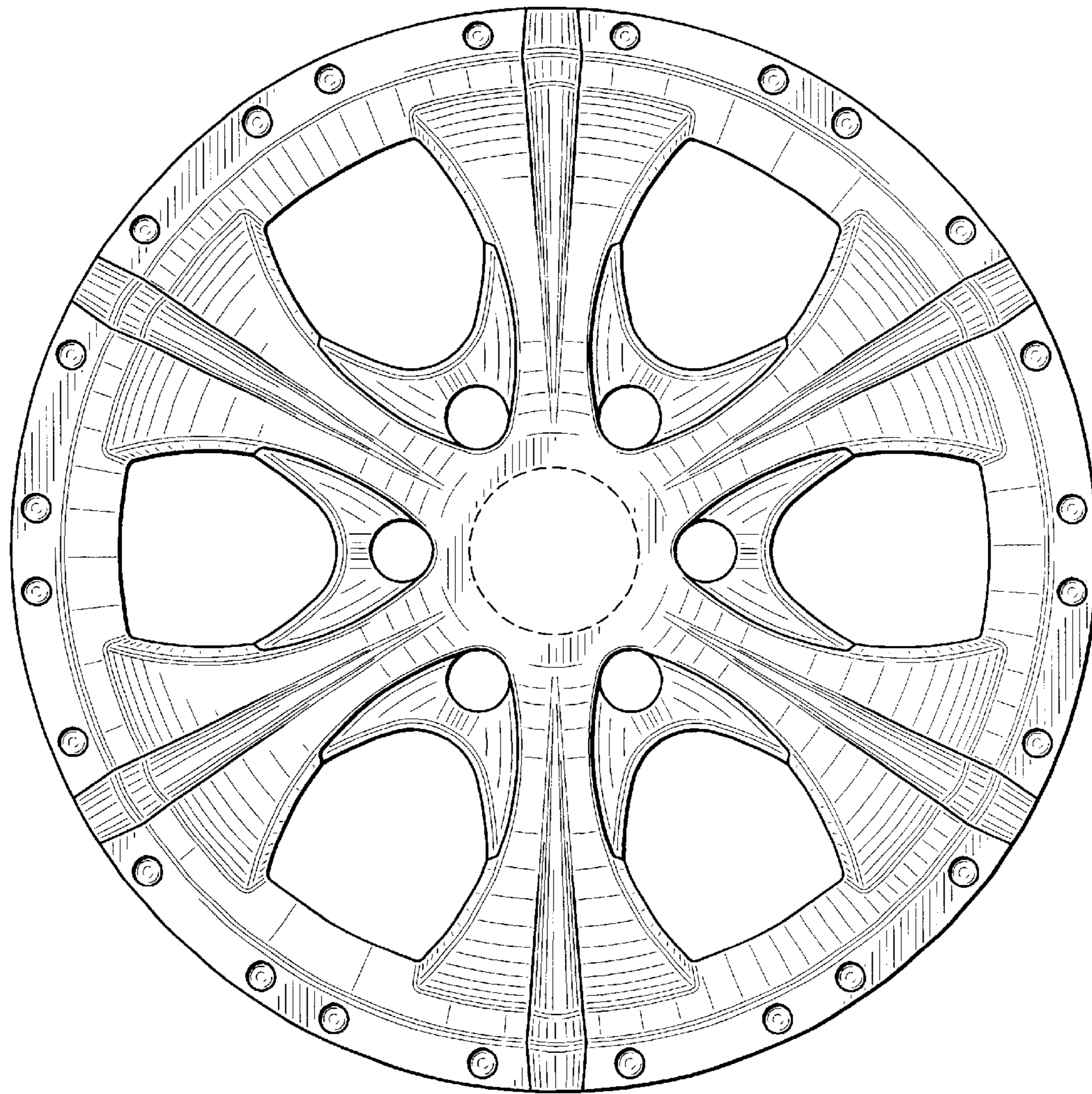


FIG. 2