

US00D507221S

(12) **United States Design Patent**  
**Stopka**

(10) **Patent No.:** **US D507,221 S**

(45) **Date of Patent:** **\*\* Jul. 12, 2005**

(54) **FRONT FACE OF A VEHICLE WHEEL**

D480,674 S \* 10/2003 Lecher et al. .... D12/209

D486,108 S \* 2/2004 Min ..... D12/209

D487,043 S \* 2/2004 McMath ..... D12/209

D500,725 S \* 1/2005 Hong ..... D12/211

(75) **Inventor:** **Thomas Stopka, Lichtenstein (DE)**

(73) **Assignee:** **Bayerische Motoren Werke  
Aktiengesellschaft, Munich (DE)**

\* cited by examiner

(\*\*) **Term:** **14 Years**

*Primary Examiner*—Stacia Cadmus

(74) *Attorney, Agent, or Firm*—Crowell & Moring LLP

(21) **Appl. No.:** **29/194,378**

(57) **CLAIM**

(22) **Filed:** **Nov. 24, 2003**

The ornamental design for a front face of a vehicle wheel,  
as shown and described.

(51) **LOC (8) Cl.** ..... **12-16**

(52) **U.S. Cl.** ..... **D12/209**

(58) **Field of Search** ..... D12/204–213;  
301/37.101, 64.101, 65

**DESCRIPTION**

FIG. 1 is a front view of a front face of a vehicle wheel  
according to my novel design; and,

FIG. 2 is a perspective view of the front face of a vehicle  
wheel according to my novel design.

The broken lines are for illustrative purposes only and form  
no part of the claimed design.

(56) **References Cited**

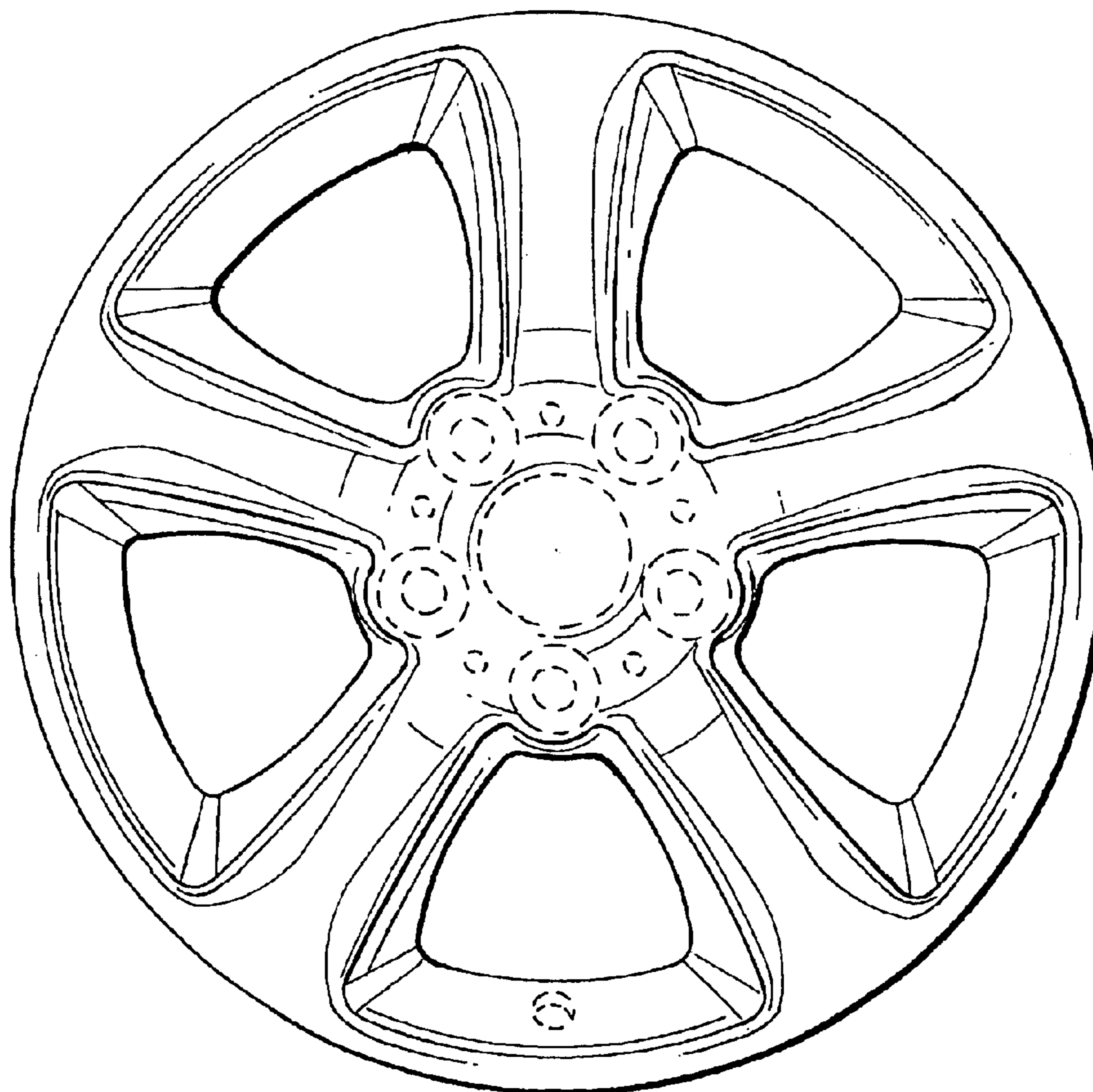
**U.S. PATENT DOCUMENTS**

D396,839 S \* 8/1998 Cullen ..... D12/211

D461,440 S \* 8/2002 Koch ..... D12/211

D466,852 S \* 12/2002 Pfeiffer et al. .... D12/211

**1 Claim, 1 Drawing Sheet**



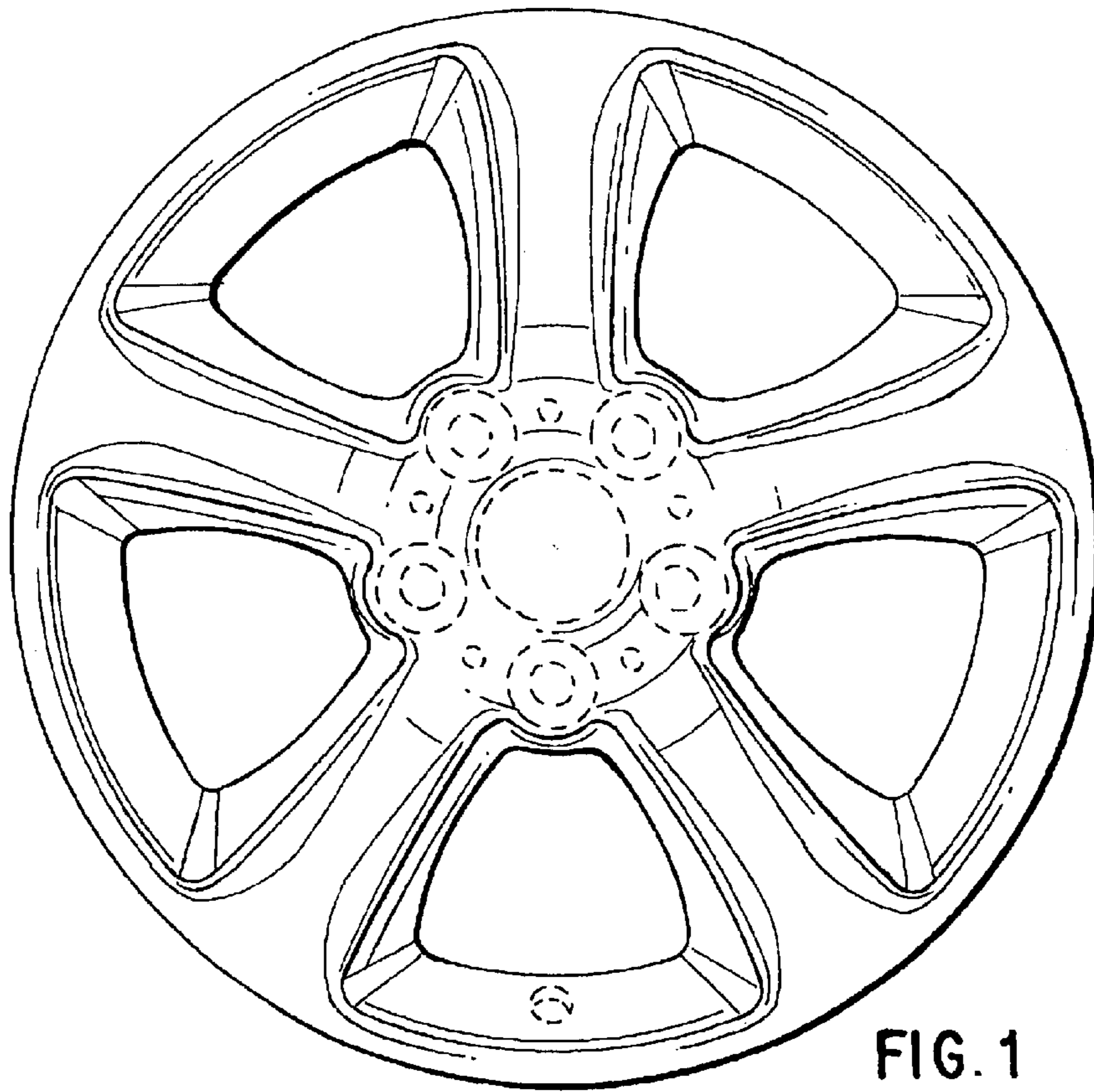


FIG. 1

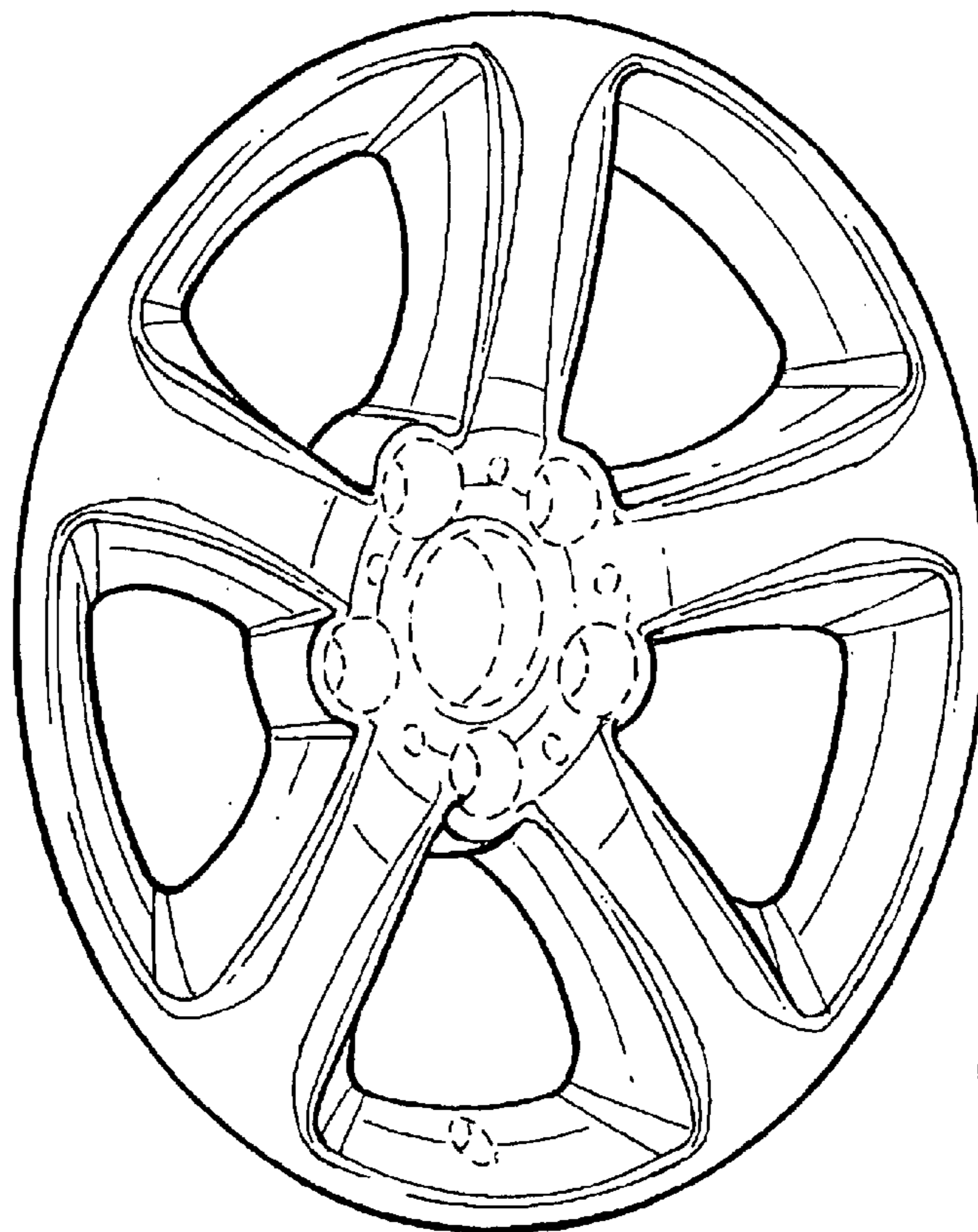


FIG. 2