

US00D507220S

(12) **United States Design Patent**
Lucaora

(10) **Patent No.:** **US D507,220 S**
(45) **Date of Patent:** **** Jul. 12, 2005**

(54) **WHEEL**

(75) **Inventor:** **Luigi Lucaora, San Martino (IT)**

(73) **Assignee:** **Brumby Corporation Ltd., Isle of Man (GB)**

(**) **Term:** **14 Years**

(21) **Appl. No.:** **29/172,093**

(22) **Filed:** **Dec. 6, 2002**

(30) **Foreign Application Priority Data**

Jun. 7, 2002 (GB) 3004204
Jun. 7, 2002 (GB) 3004205

(51) **LOC (8) Cl.** **12-16**

(52) **U.S. Cl.** **D12/209**

(58) **Field of Search** D12/204-213;
301/37.101, 64.101, 65

(56) **References Cited**

U.S. PATENT DOCUMENTS

D395,634 S * 6/1998 Choi D12/209
D408,003 S * 4/1999 Sacco et al. D12/209
D412,308 S * 7/1999 Hussaini et al. D12/209

D425,470 S * 5/2000 Pfeiffer et al. D12/209
D436,572 S * 1/2001 Brown D12/209
D440,933 S * 4/2001 Vian D12/209
D451,061 S * 11/2001 Ishihara D12/209
D453,132 S * 1/2002 Chen D12/209
D490,355 S * 5/2004 Francis D12/209

* cited by examiner

Primary Examiner—Stacia Cadmus

(74) *Attorney, Agent, or Firm*—Banner & Witcoff Ltd.

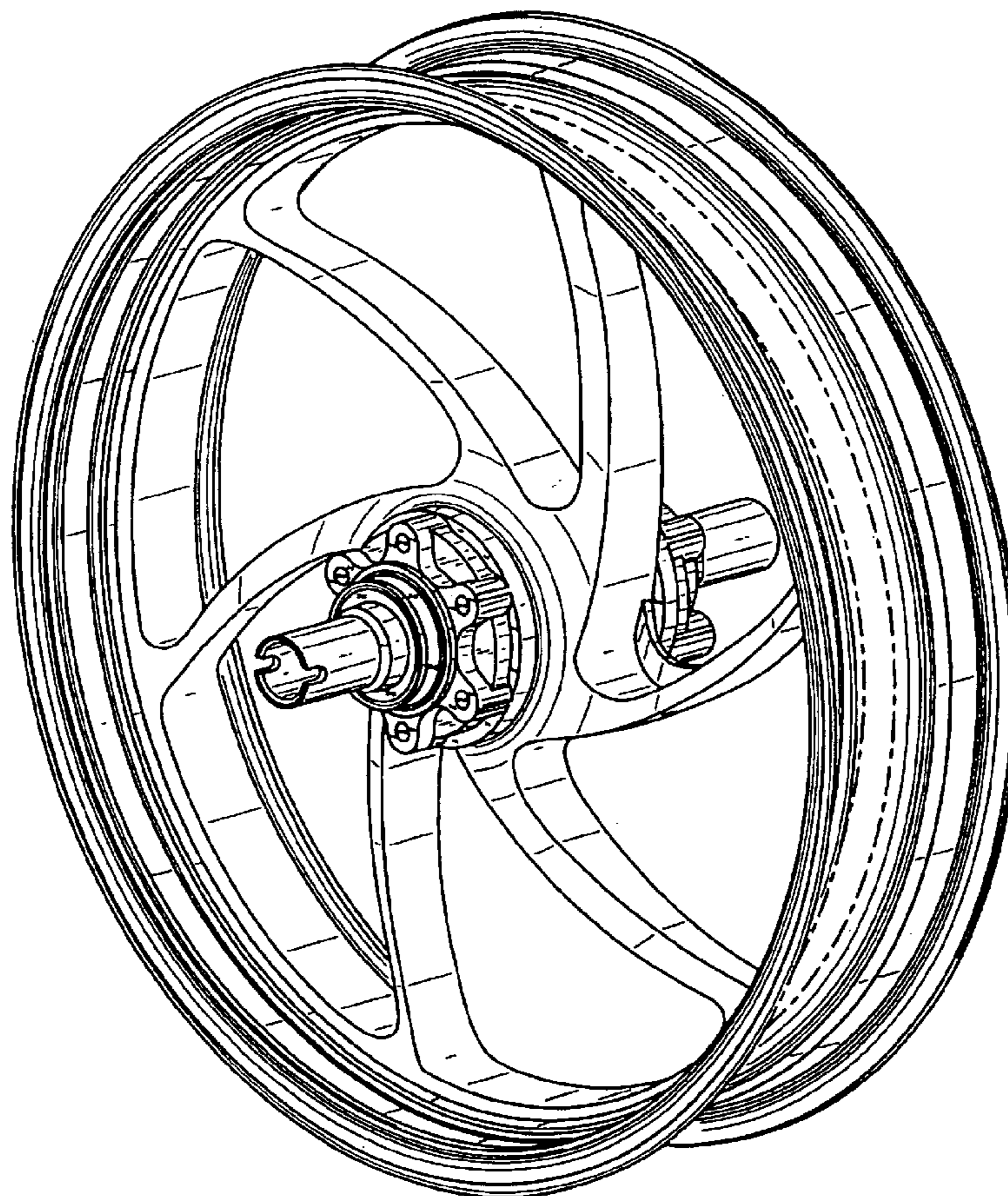
(57) **CLAIM**

The ornamental design for a wheel, as shown and described.

DESCRIPTION

FIG. 1 is a side elevational view of one side of a wheel showing one embodiment of my new design; FIG. 2 is a top plan view thereof, the bottom plan view being a mirror image; FIG. 3 a perspective view of one side thereof; and, FIG. 4 is a perspective view of the other side. The center of the wheel shown in FIGS. 2-4 is shown in hatched lines, indicating that this portion of the wheel forms no partion of the claimed design.

1 Claim, 4 Drawing Sheets



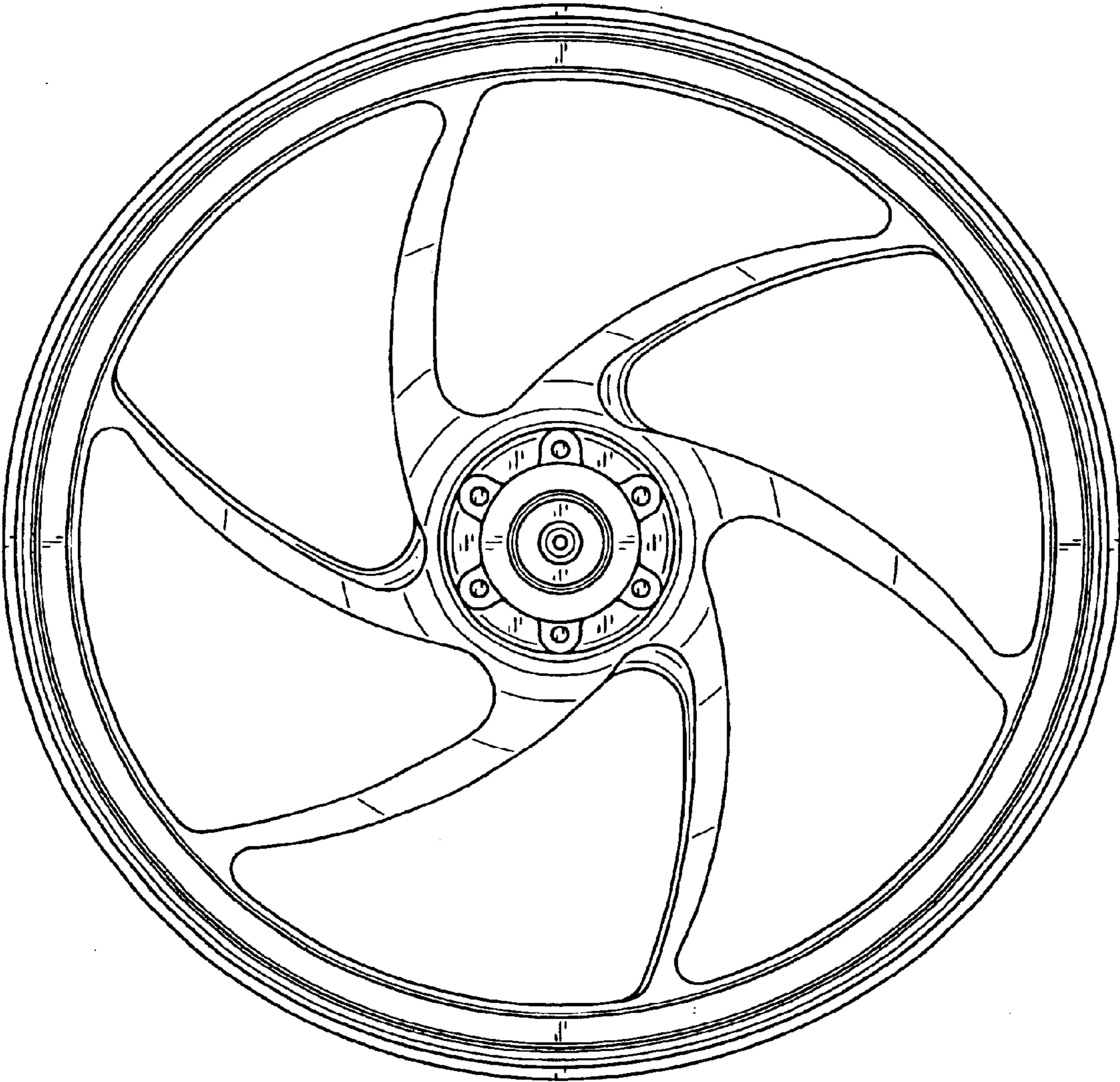


FIG. 1

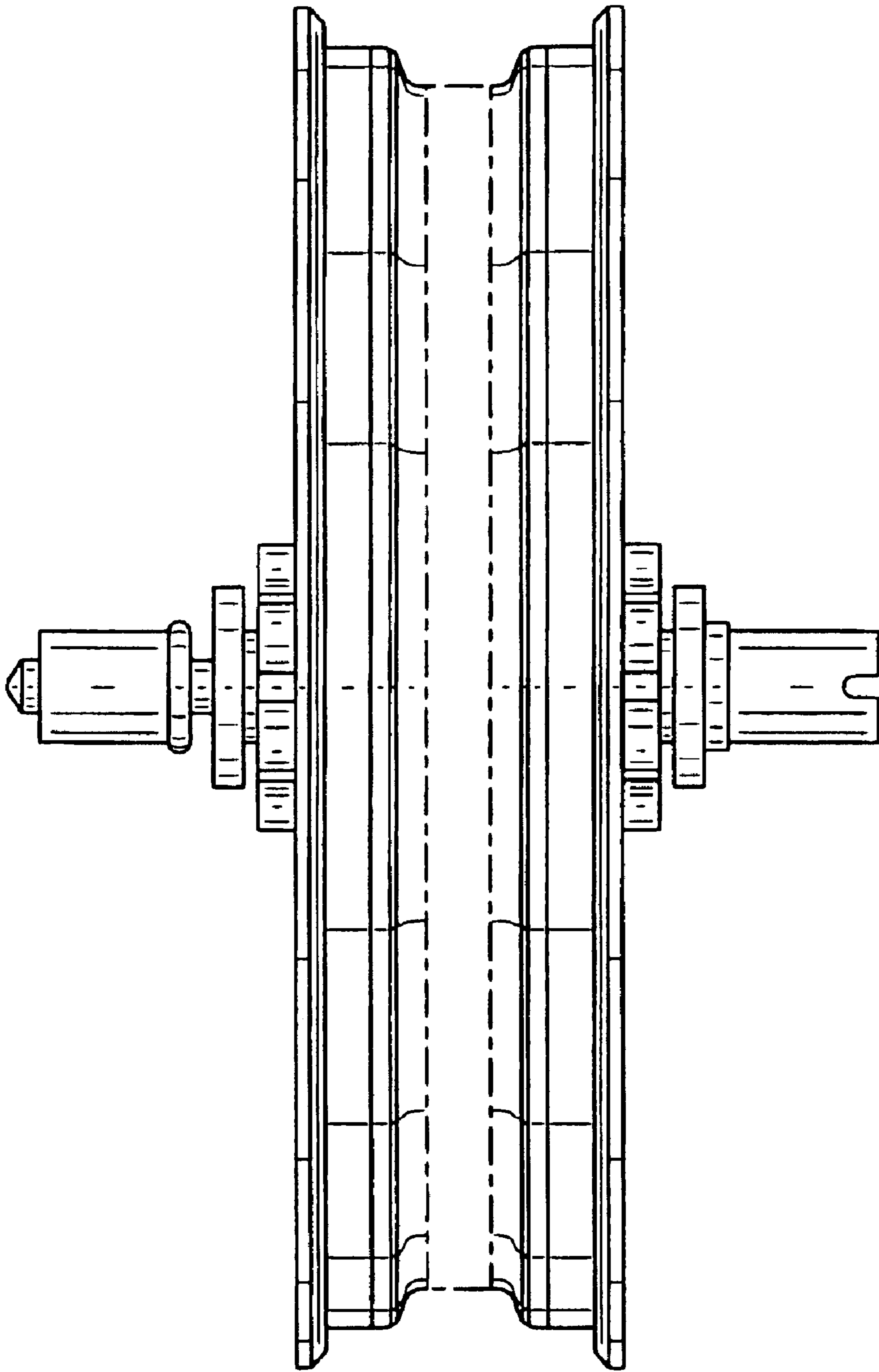


FIG. 2

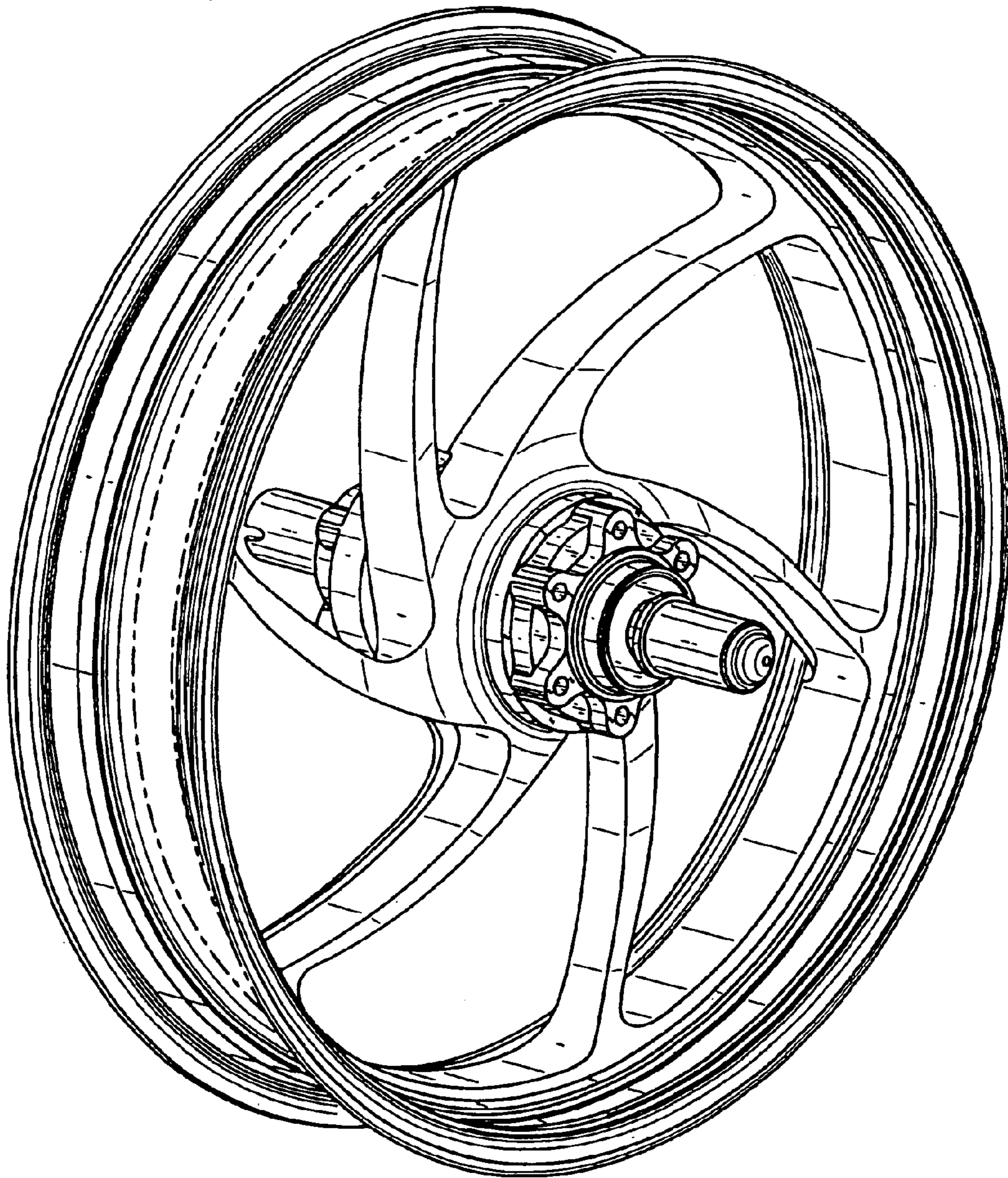


FIG. 3

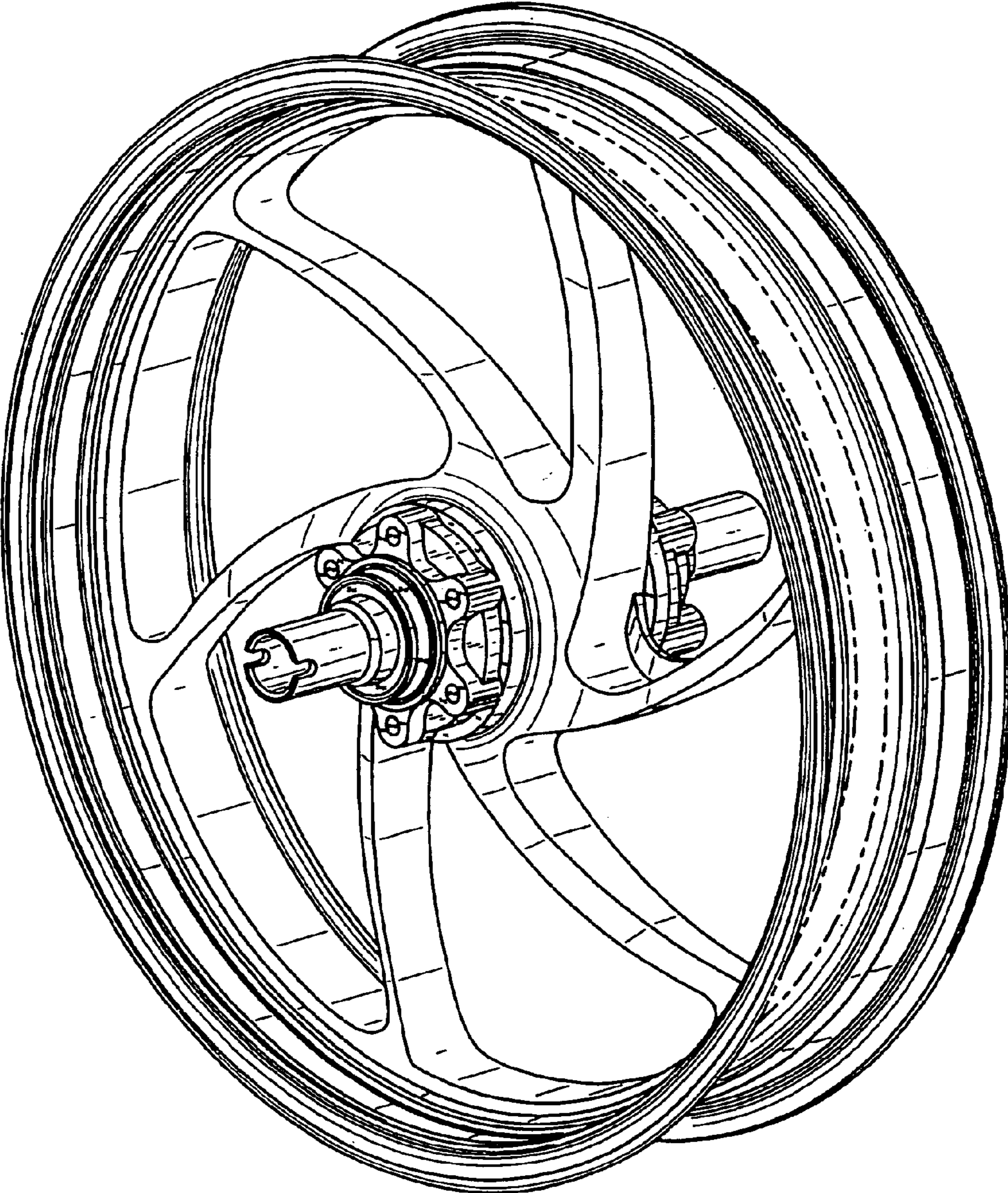


FIG. 4