

US00D507217S

(12) **United States Design Patent**  
**Goldenberg et al.**

(10) **Patent No.:** **US D507,217 S**  
(45) **Date of Patent:** **\*\* Jul. 12, 2005**

(54) **BRAKE PAD**

(75) Inventors: **Shaul Goldenberg**, Vaughan (CA);  
**Sean Davies**, Vaughan (CA);  
**Sinnathamby Kupenthirarajan**,  
Vaughan (CA)

(73) Assignee: **420820 Ontario Limited**, Vaughan  
(CA)

(\*\*) Term: **14 Years**

(21) Appl. No.: **29/199,122**

(22) Filed: **Feb. 11, 2004**

(30) **Foreign Application Priority Data**

Nov. 27, 2003 (CA) ..... 105034

(51) **LOC (8) Cl.** ..... **12-16**

(52) **U.S. Cl.** ..... **D12/180**

(58) **Field of Search** ..... D12/180; 188/73.3,  
188/73.31-73.39, 73.43, 73.45, 218 XL,  
250 B, 250 E, 250 G

(56) **References Cited**

**U.S. PATENT DOCUMENTS**

4,188,992 A 2/1980 Segerljung ..... 160/296  
D255,675 S \* 7/1980 Weiser et al. .... D12/180  
D260,015 S \* 7/1981 Sheill ..... D12/180

D270,824 S \* 10/1983 Robinette ..... D12/180  
4,838,333 A 6/1989 Mottura ..... 160/305  
5,099,906 A 3/1992 Chigusa et al. .... 160/297  
D417,642 S \* 12/1999 Ashley, Sr. .... D12/180  
6,481,544 B2 \* 11/2002 Brecht et al. .... 188/250 E

\* cited by examiner

*Primary Examiner*—Melody N. Brown

(74) *Attorney, Agent, or Firm*—Neil H. Hughes; Ivor M. Hughes; Marcelo K. Sarkis

(57) **CLAIM**

The ornamental design for a brake pad, as shown and described.

**DESCRIPTION**

The brake pad is used in a centrifugal braking device to impede the circular motion of a spinning device.

FIG. 1 is a perspective view of the top and one complete side of a brake pad showing my new design;

FIG. 2 is a perspective view of the top and complete opposite side of the brake pad thereof;

FIG. 3 is a perspective view of FIG. 2 in the opposite degree of direction;

FIG. 4 is a top view of the brake pad embodying the design; and,

FIG. 5 is a bottom view of the brake pad embodying the design.

**1 Claim, 2 Drawing Sheets**

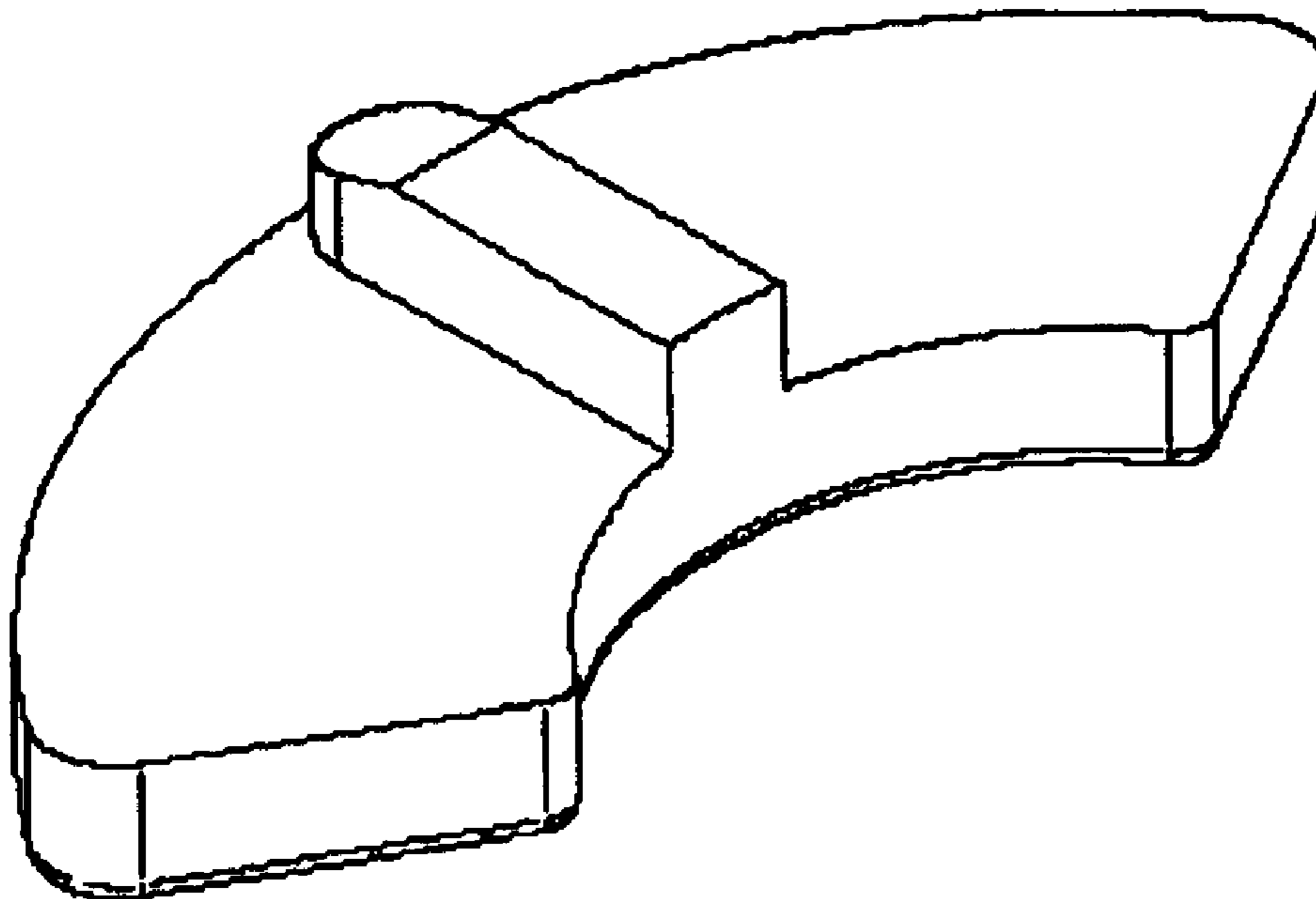


Figure 1

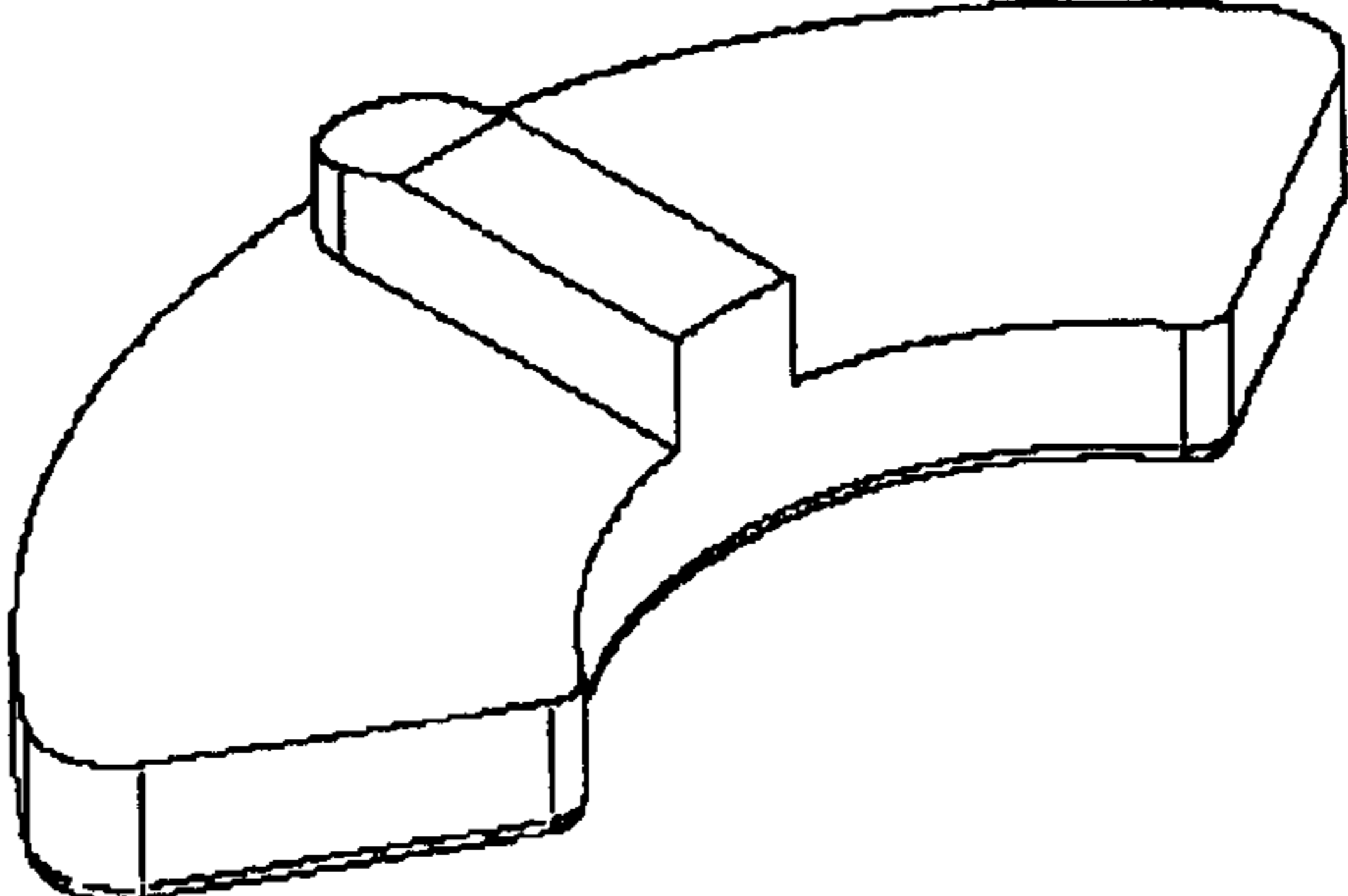


Figure 2

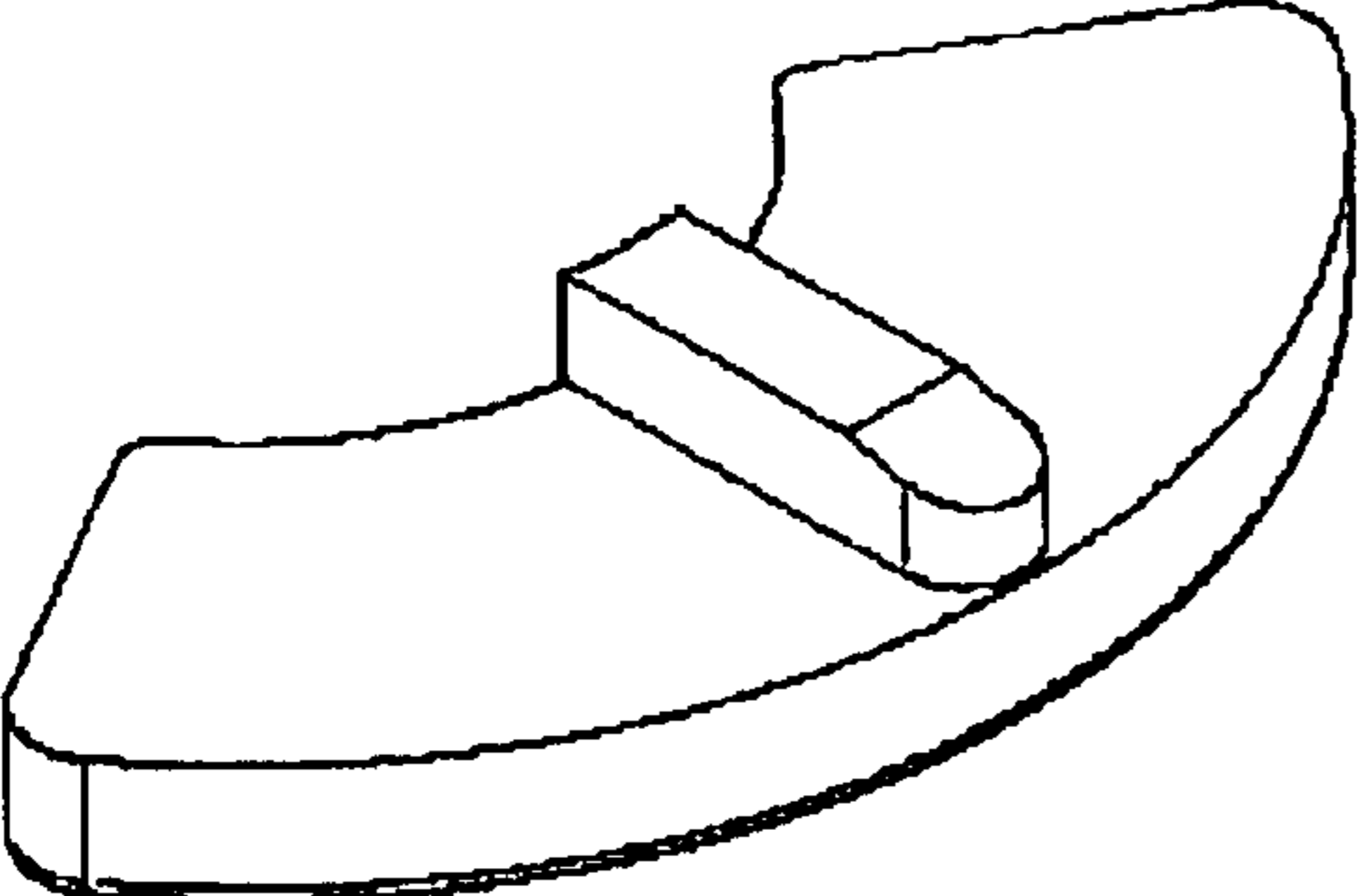
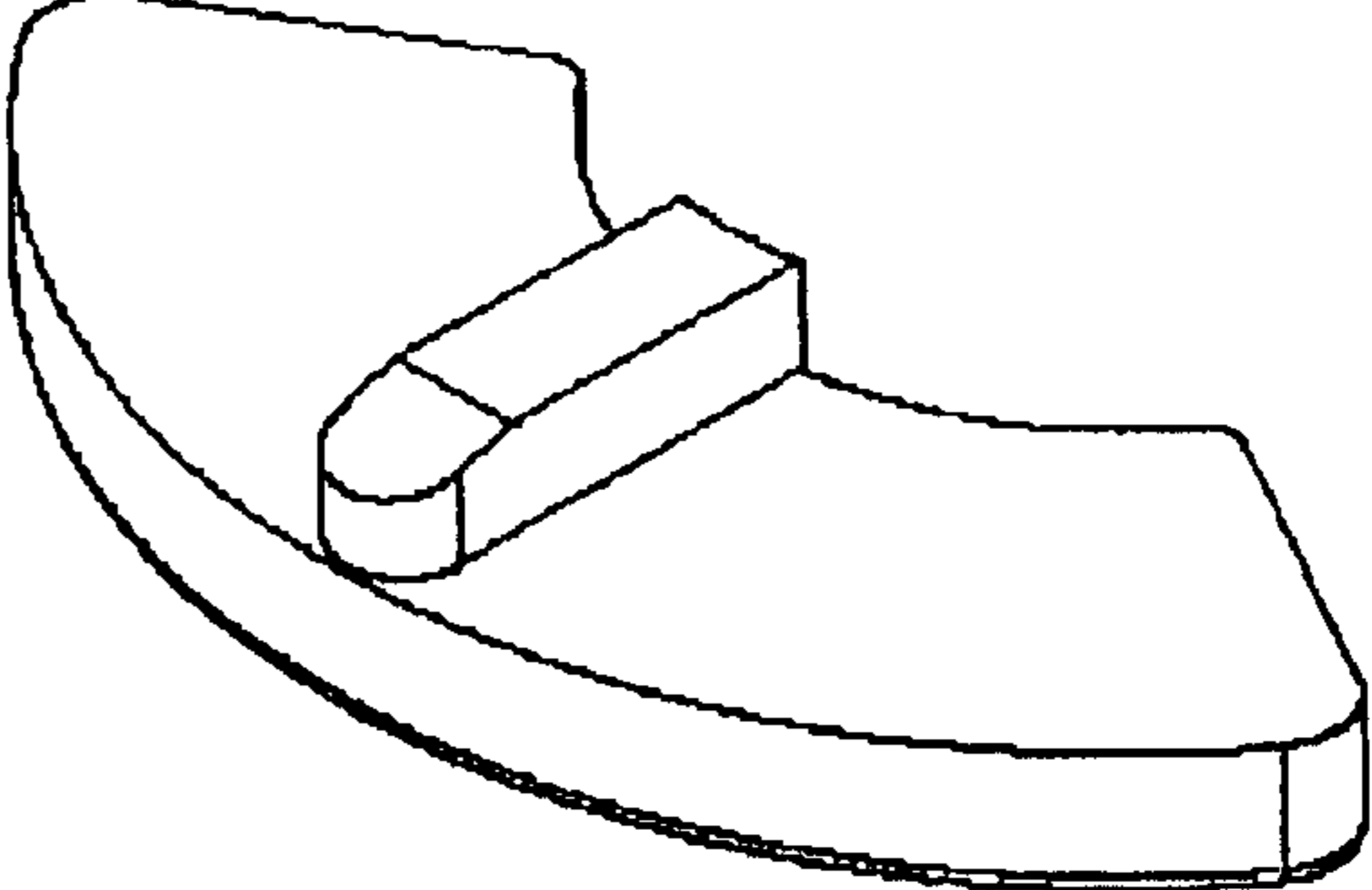
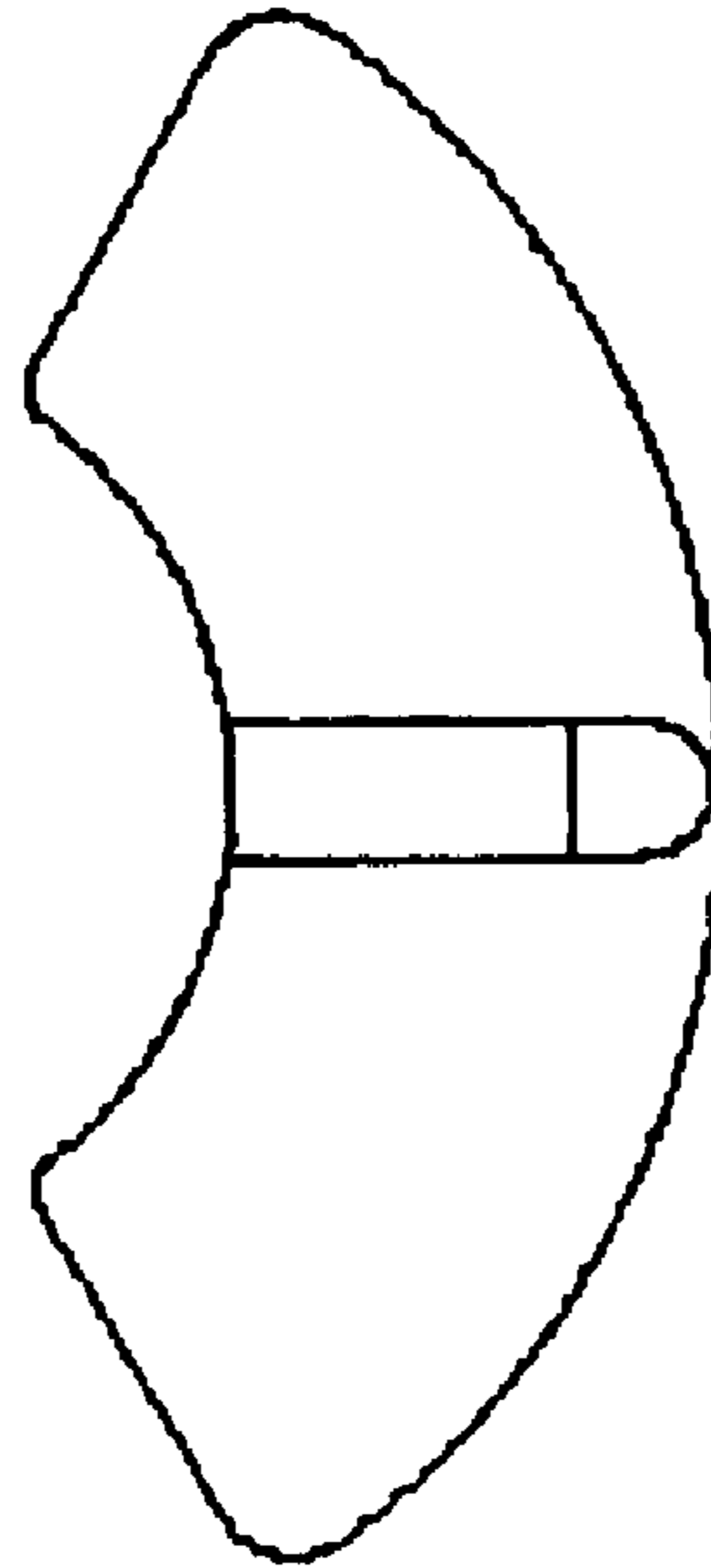


Figure 3



**Figure 4**



**Figure 5**

