



US00D507212S

(12) **United States Design Patent**  
**Tomlinson**

(10) **Patent No.:** **US D507,212 S**  
(45) **Date of Patent:** **\*\* Jul. 12, 2005**

(54) **REHABILITATION WALKER**

(76) **Inventor:** **Dick Tomlinson**, 1433 Hidden Ranch Dr., Simi Valley, CA (US) 93063

(\*\*) **Term:** **14 Years**

(21) **Appl. No.:** **29/215,392**

(22) **Filed:** **Oct. 19, 2004**

(51) **LOC (8) Cl.** ..... **12-99**

(52) **U.S. Cl.** ..... **D12/130**

(58) **Field of Search** ..... D12/128-133;  
280/87.021, 87.051, 242.1, 250.1; 297/DIG. 4,  
5; 135/66, 67

(56) **References Cited**

**U.S. PATENT DOCUMENTS**

D395,851 S 7/1998 Ostwalt  
D400,829 S 11/1998 Tomlinson  
D500,714 S \* 1/2005 Uribe et al. .... D12/130

\* cited by examiner

*Primary Examiner*—Marcus A. Jackson  
(74) *Attorney, Agent, or Firm*—Calif Tervo

(57) **CLAIM**

The ornamental design for a rehabilitation walker, as shown and described.

**DESCRIPTION**

FIG. 1 is a perspective view of a rehabilitation walker showing my new design;  
FIG. 2 is a right side elevation view thereof; the left side being substantially a mirror image;  
FIG. 3 is a top plan view thereof;  
FIG. 4 is a bottom plan view thereof;  
FIG. 5 is a rear elevation view thereof;  
FIG. 6 is a front elevation view thereof;  
FIG. 7 is a top plan view of the frame thereof in a folded configuration; and,  
FIG. 8 is a front elevation view of FIG. 7.

**1 Claim, 3 Drawing Sheets**

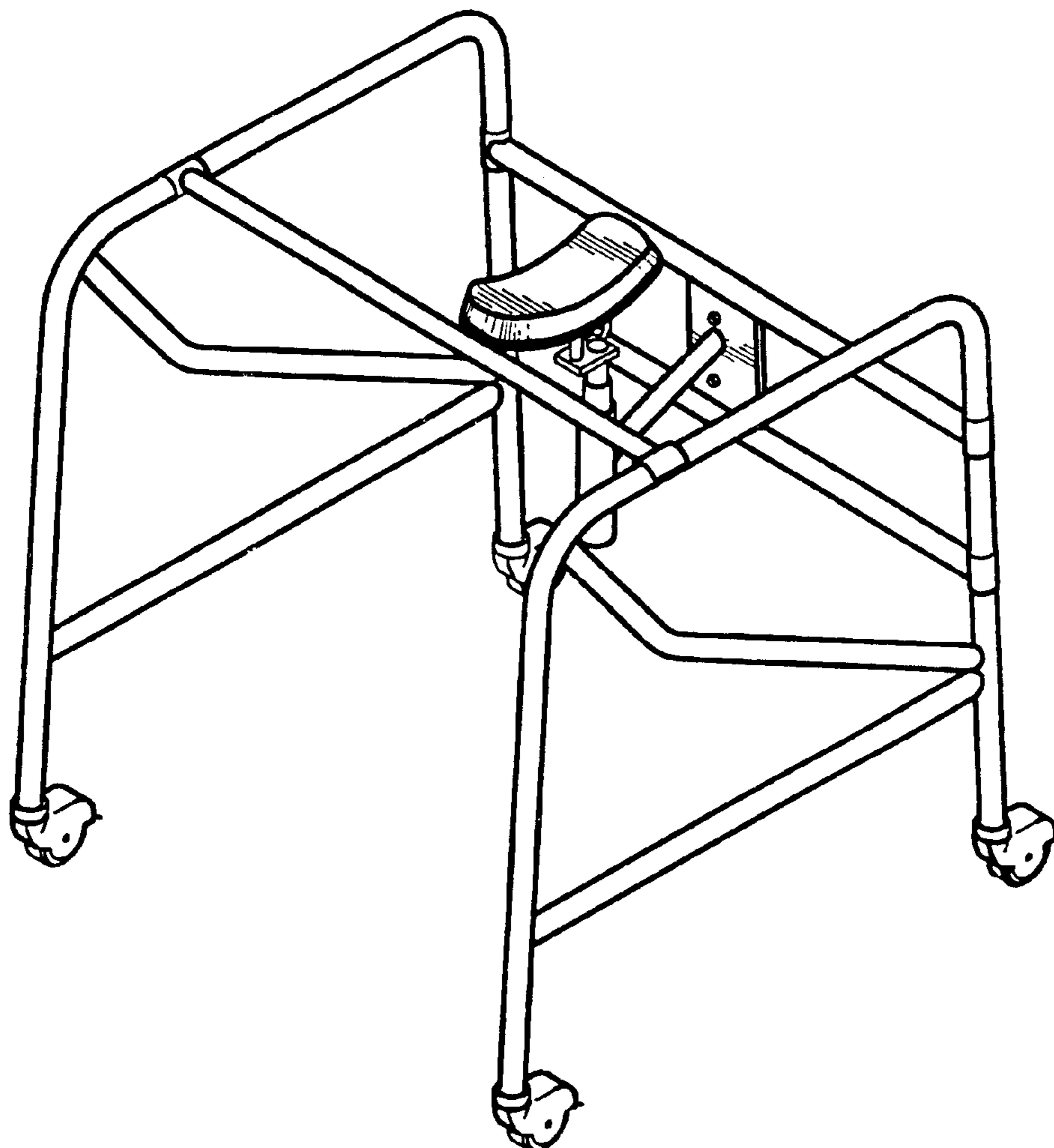


FIG. 1

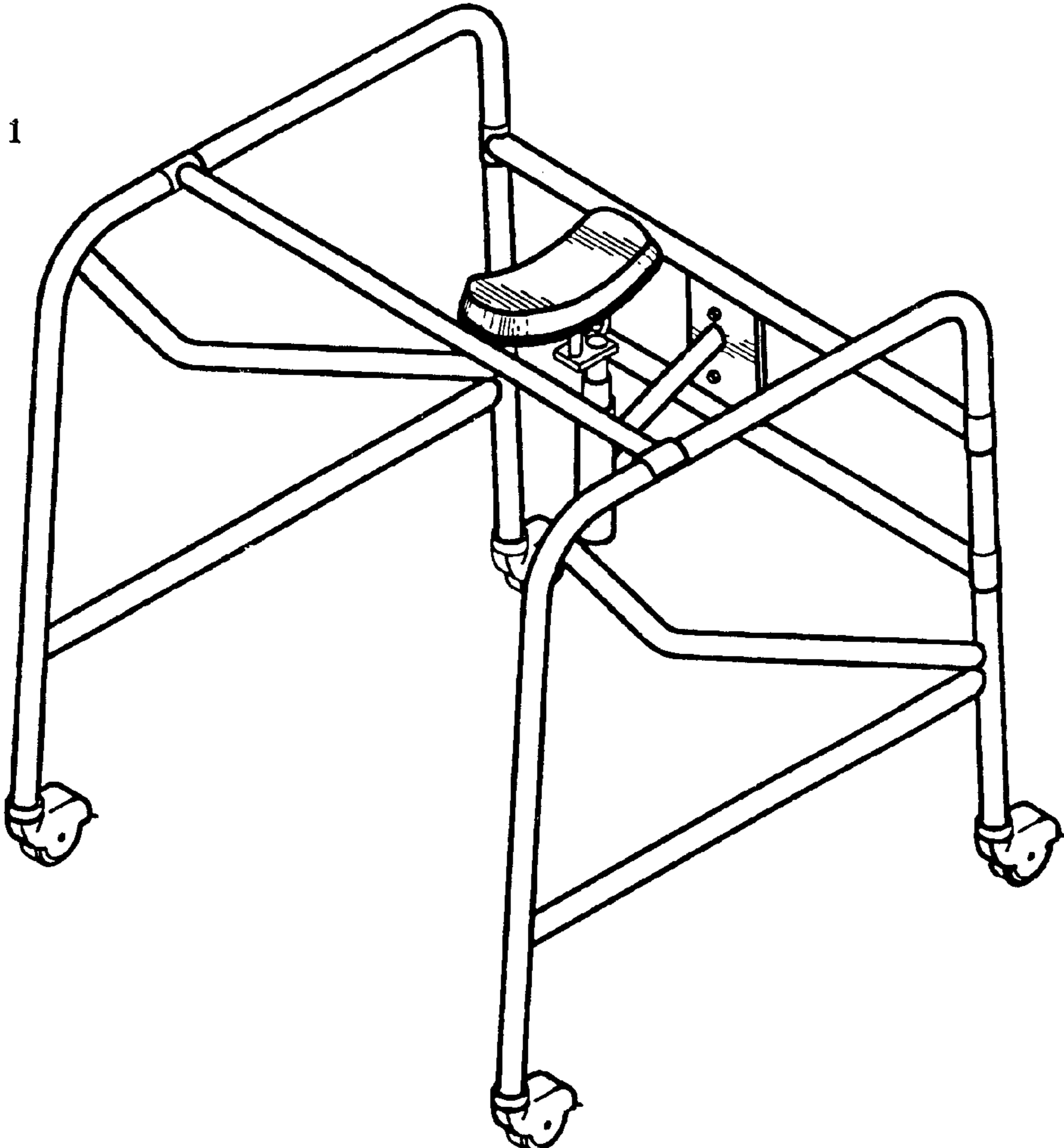


FIG. 2

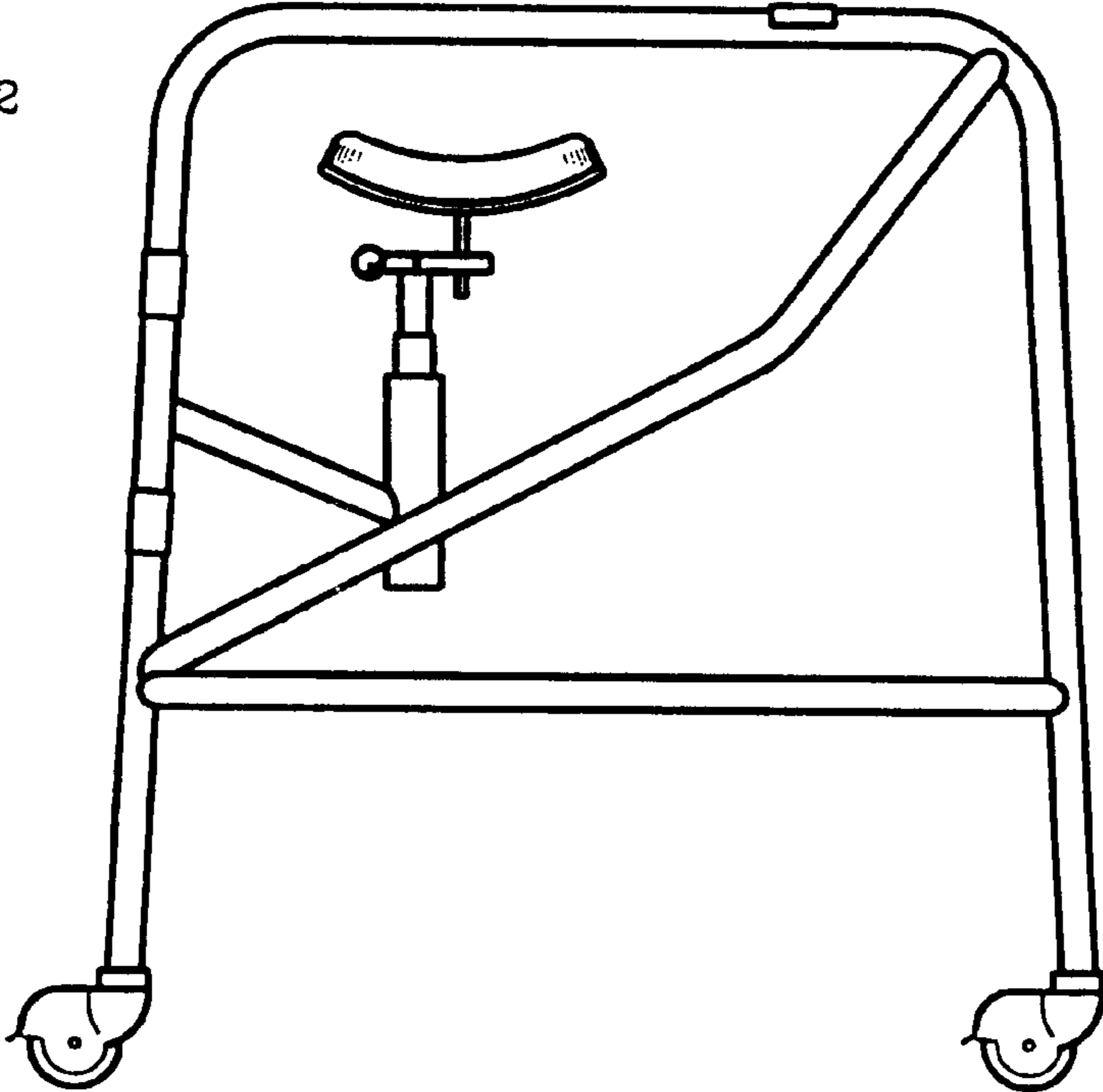


FIG. 3

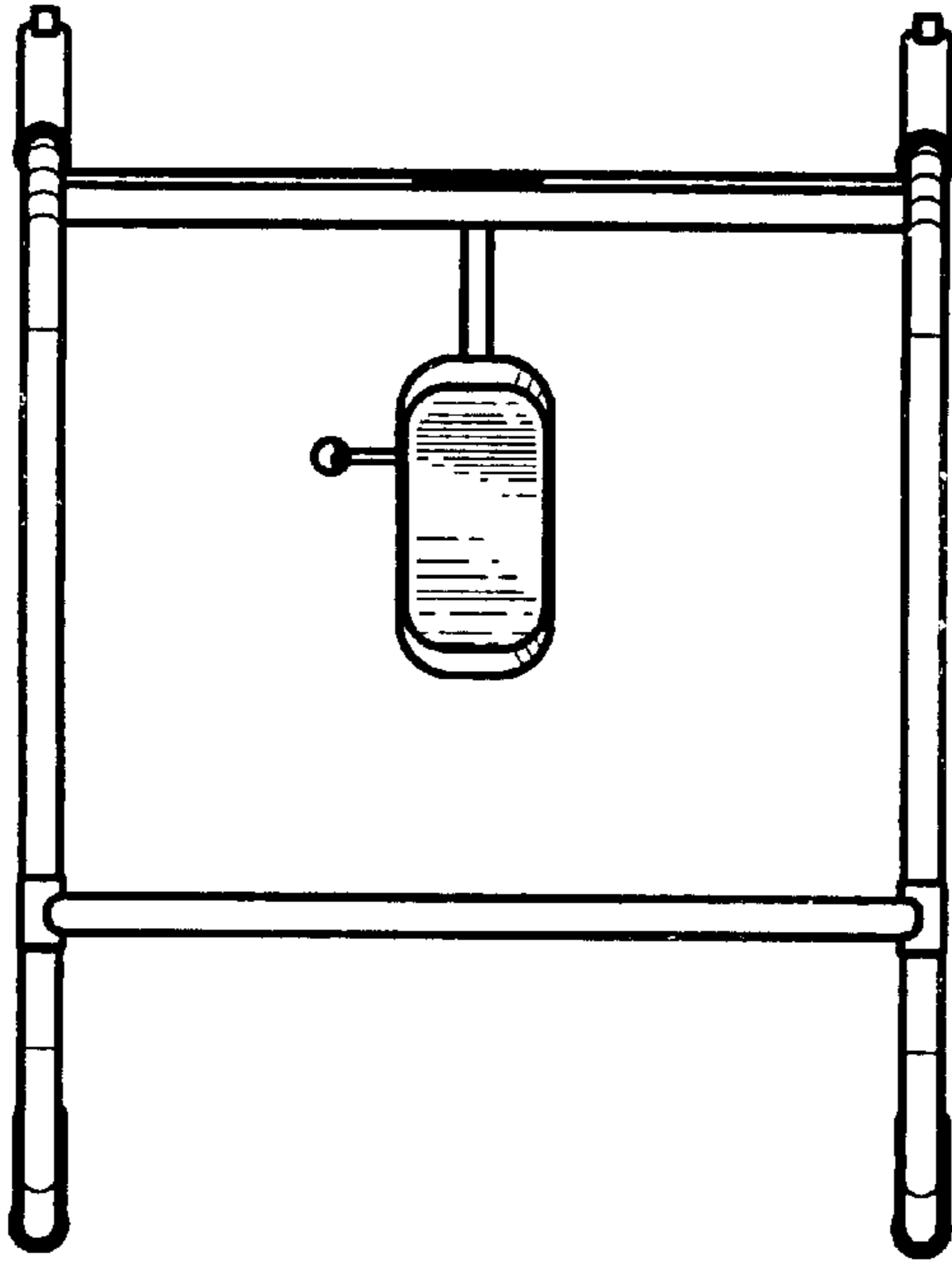


FIG. 4

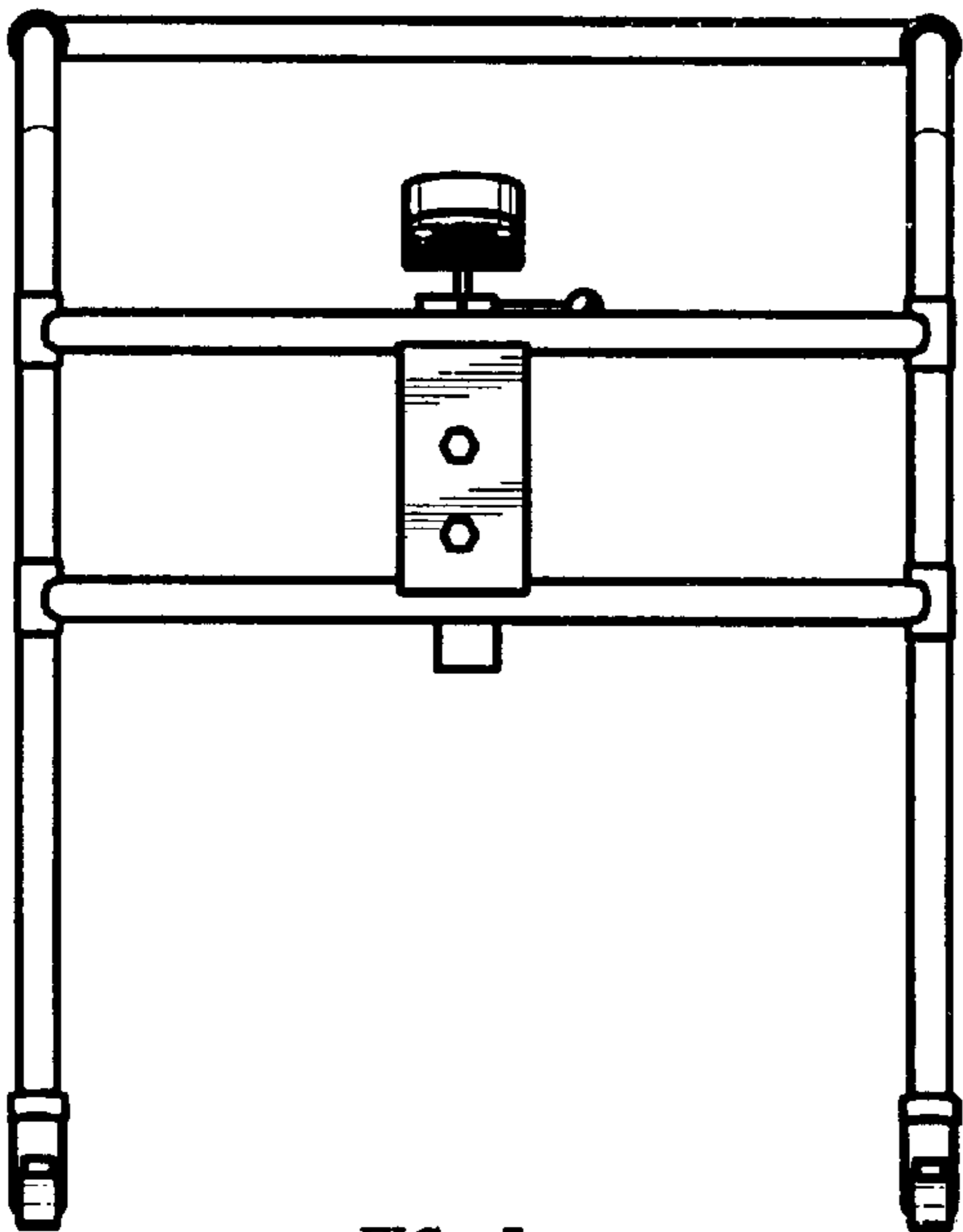
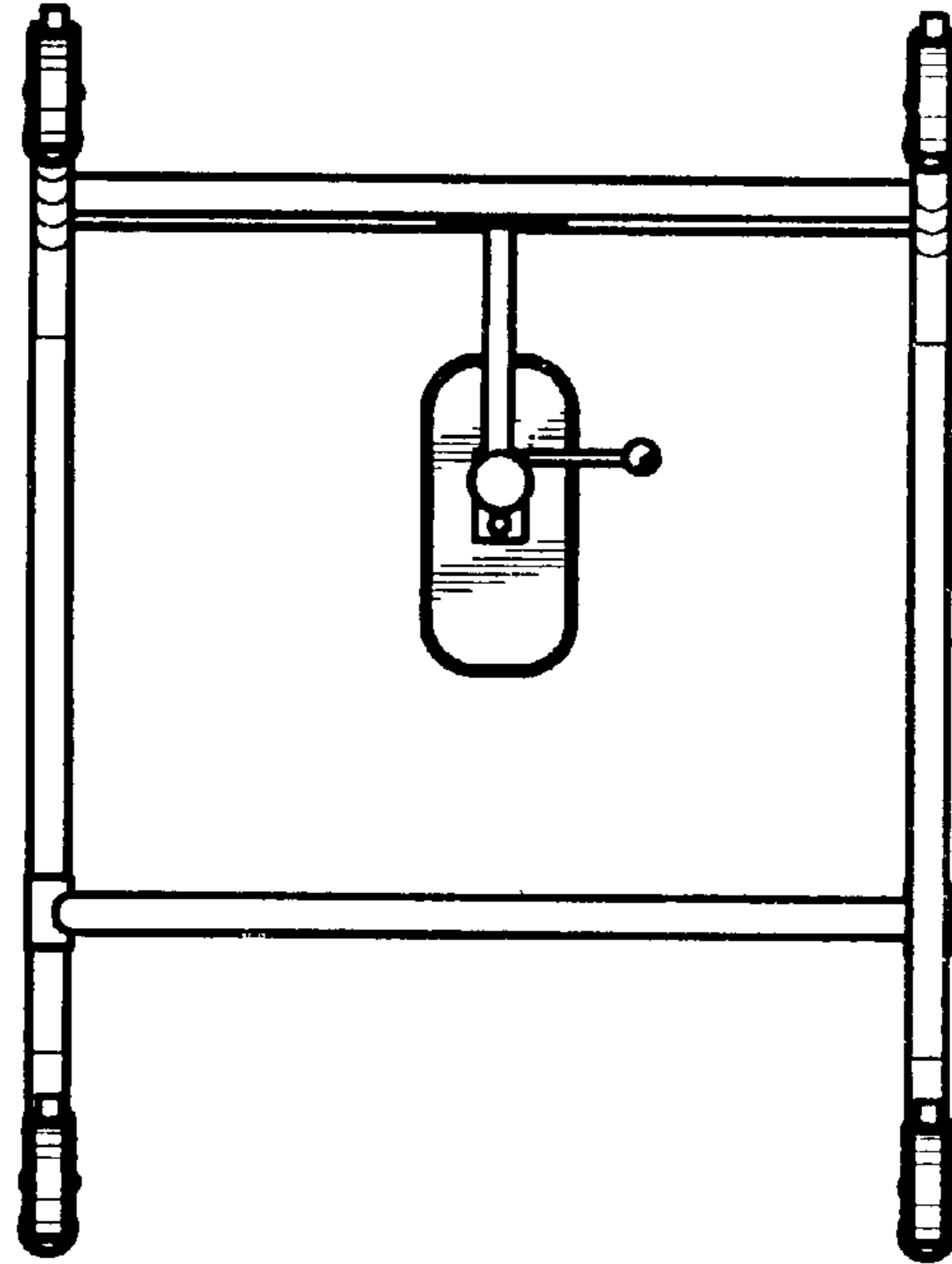


FIG. 5

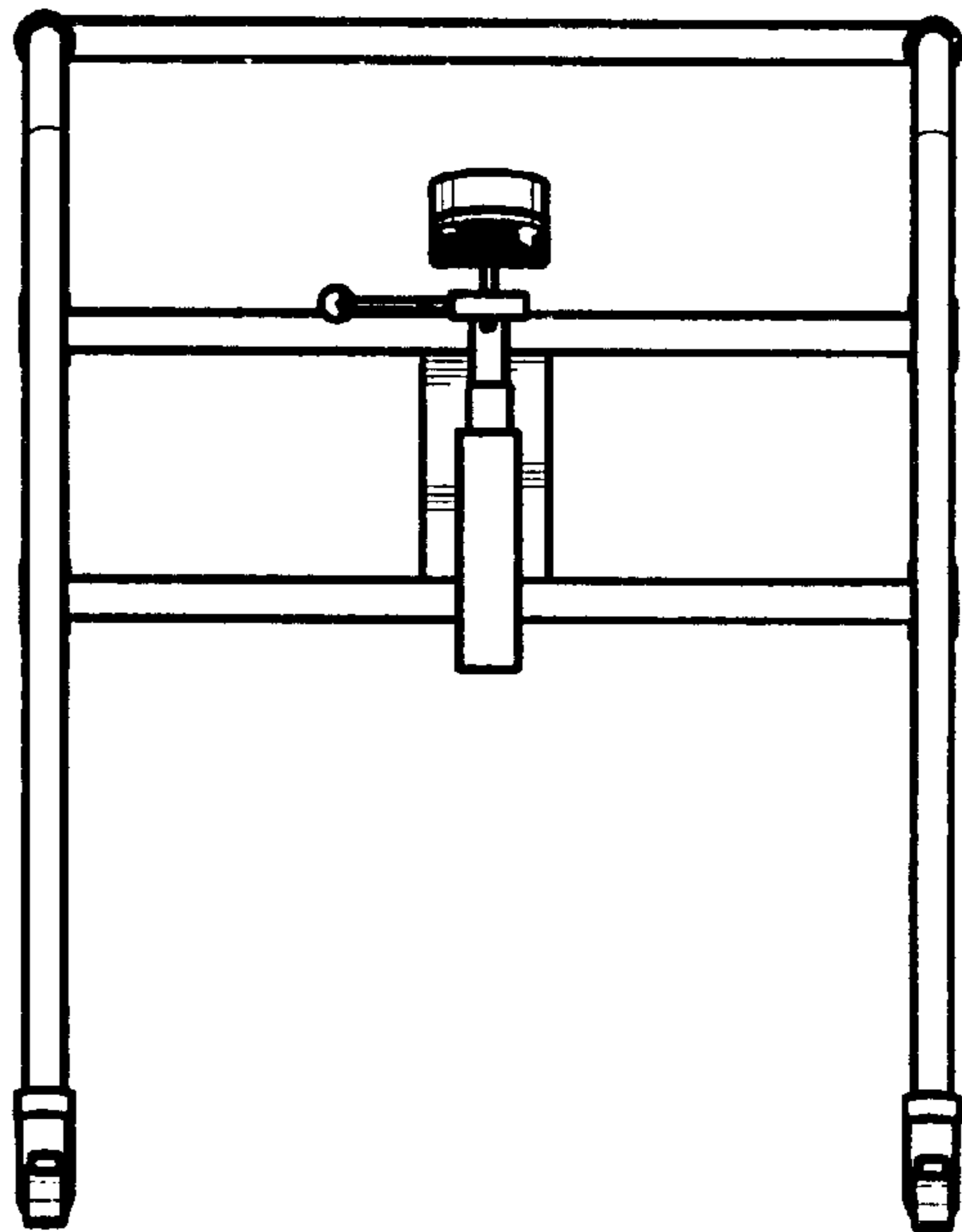


FIG. 6

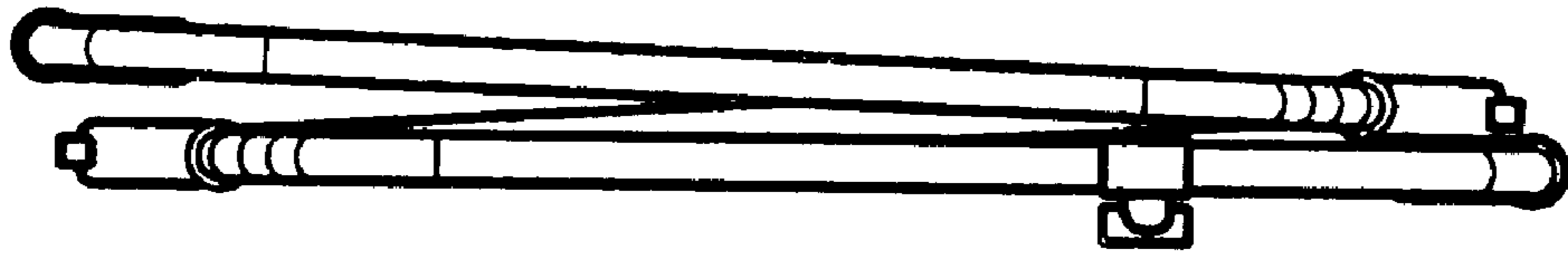


FIG. 7

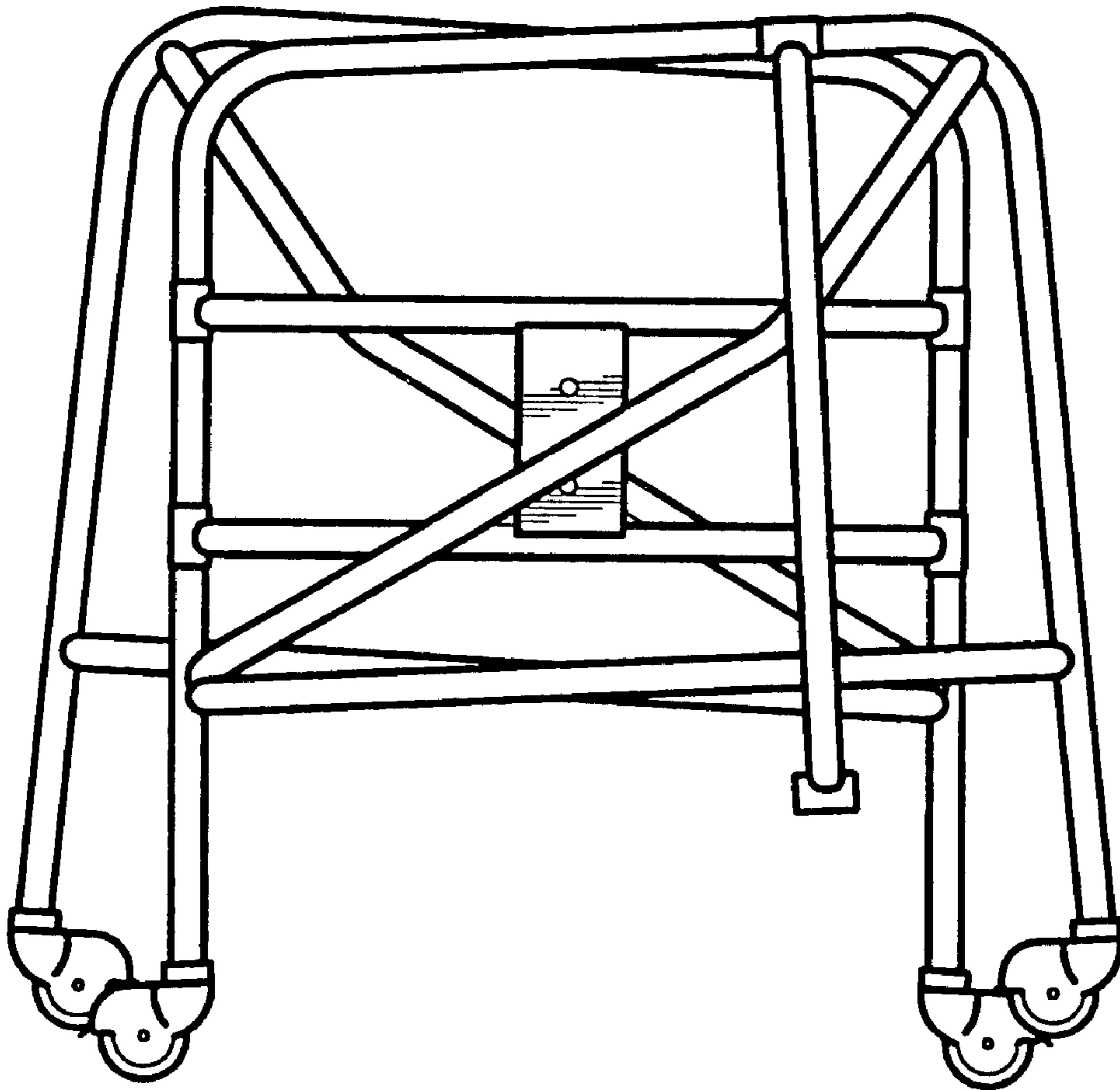


FIG. 8