

US00D507211S

(12) **United States Design Patent**
Hong

(10) **Patent No.:** **US D507,211 S**
(45) **Date of Patent:** **** Jul. 12, 2005**

(54) **BICYCLE FRAME WITH TRAINING WHEEL BRACKETS**

(76) Inventor: **Jae Hyun Hong**, 14065 Stage Rd.,
Bloomfield Commerce Center, Santa Fe
Springs, CA (US) 90670

(**) Term: **14 Years**

(21) Appl. No.: **29/209,927**

(22) Filed: **Jul. 23, 2004**

(51) **LOC (8) Cl.** **12-11**

(52) **U.S. Cl.** **D12/111**

(58) **Field of Search** D12/111, 112,
D12/117; 280/210, 211, 220, 221, 259,
270, 282, 293, 288.1-288.3

(56) **References Cited**

U.S. PATENT DOCUMENTS

4,730,840 A * 3/1988 Goldmeier 280/281.1

* cited by examiner

Primary Examiner—Alan P. Douglas

Assistant Examiner—Linda Brooks

(74) *Attorney, Agent, or Firm*—Park & Sutton LLP; John
K. Park

(57) **CLAIM**

The ornamental design for a bicycle frame with training
wheel brackets, as shown and described.

DESCRIPTION

FIG. 1 is a perspective view of a bicycle frame with training
wheel brackets showing my new design;

FIG. 2 is another perspective view thereof;

FIG. 3 is a side elevational view thereof, the opposite side
being a mirror image;

FIG. 4 is a top plan view thereof;

FIG. 5 is a front elevational view thereof;

FIG. 6 is a rear elevational view thereof; and,

FIG. 7 is a further perspective view thereof.

The broken lines showing of FIGS. 2-7 are for illustration
purpose only and therefore establish no part of the claimed
design.

1 Claim, 7 Drawing Sheets

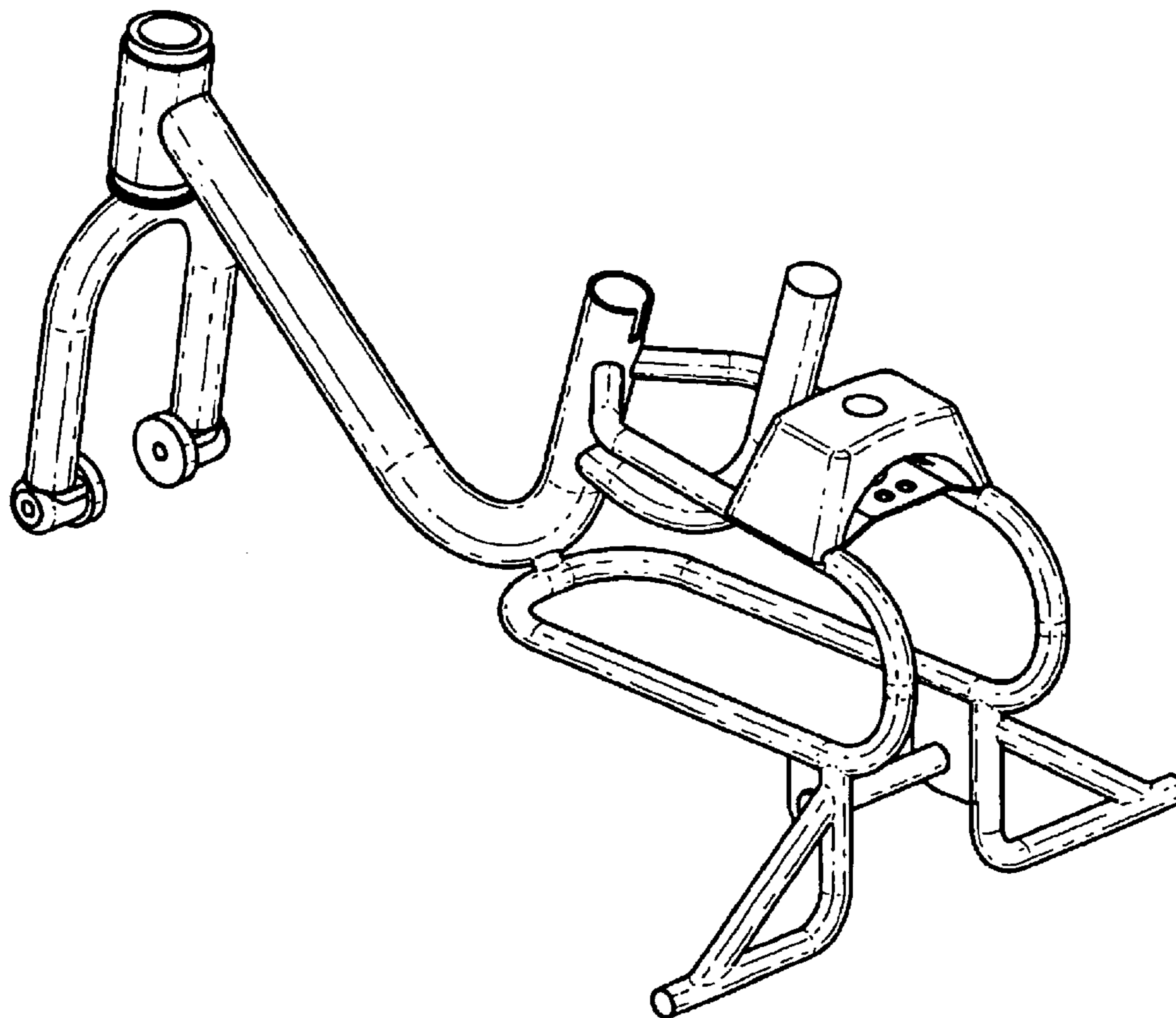


FIG. 1

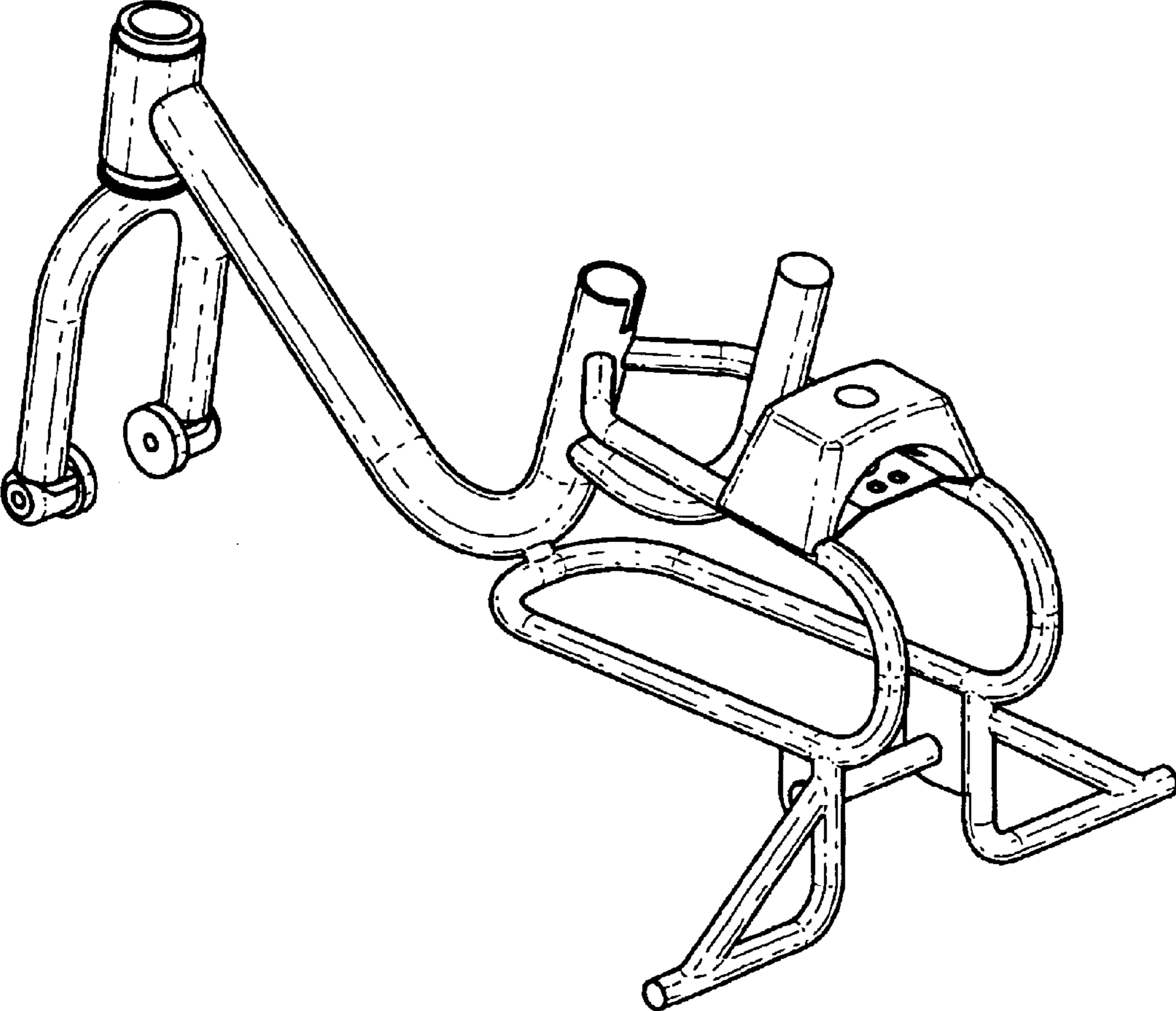


FIG. 2

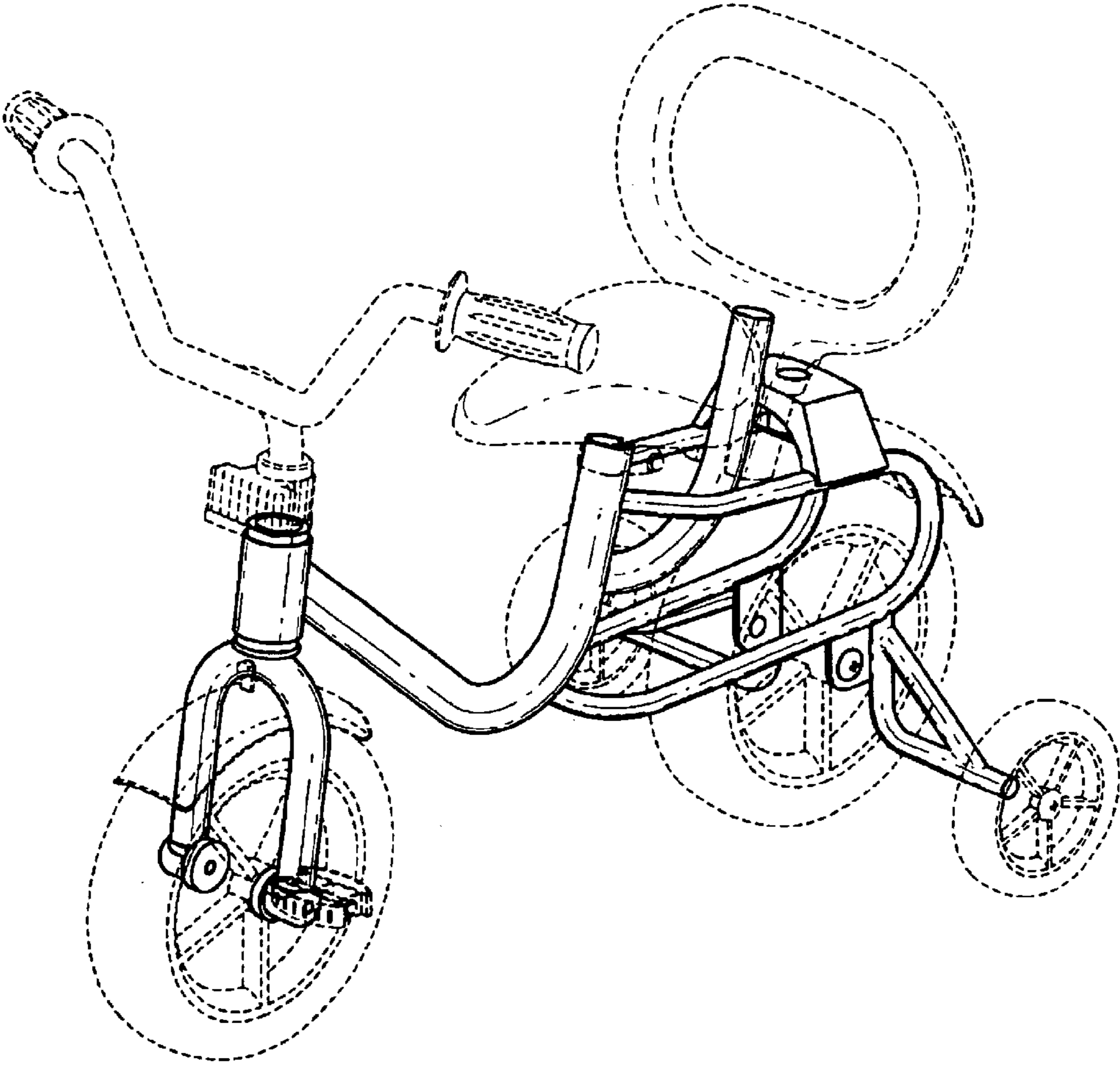


FIG. 3

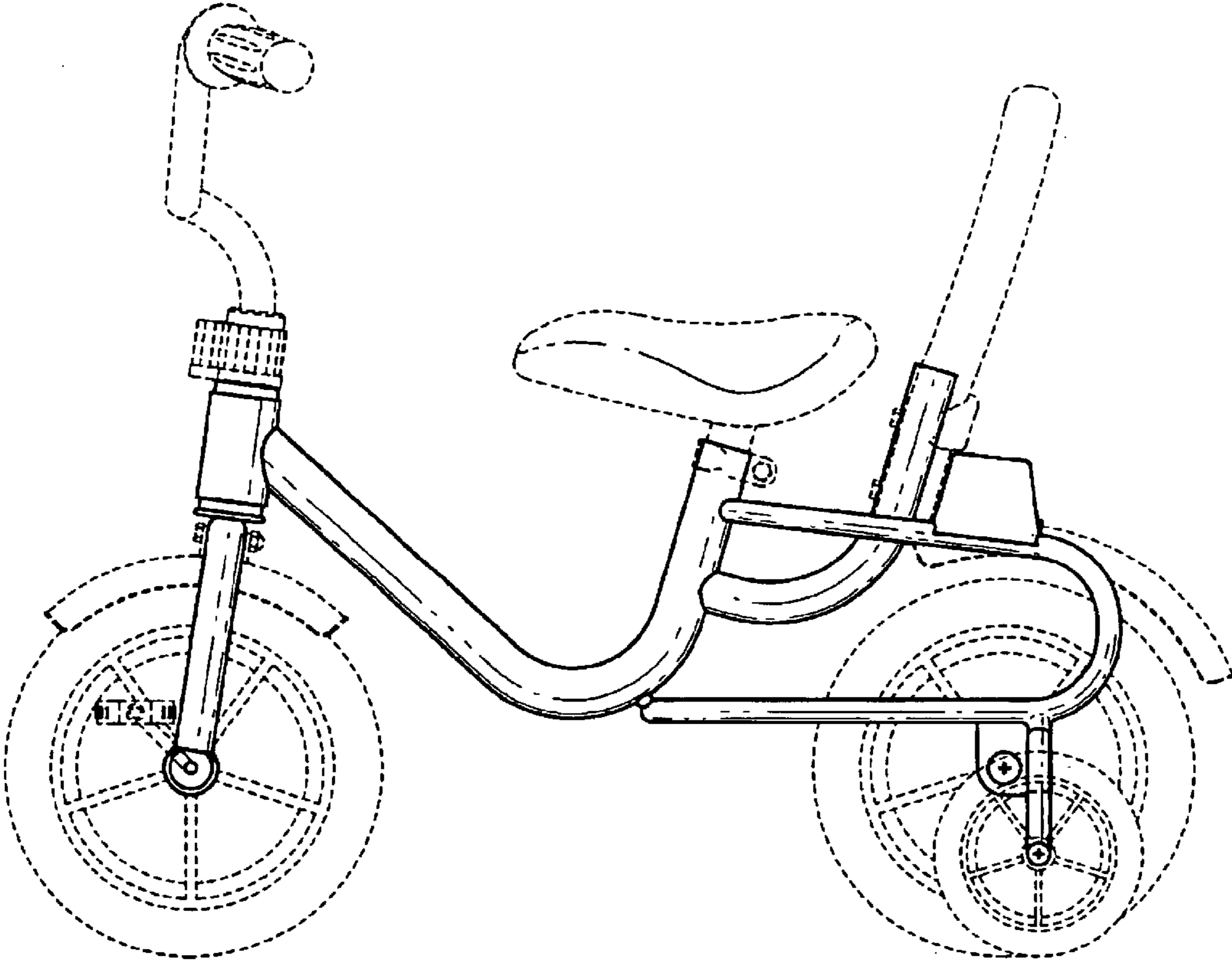


FIG. 4

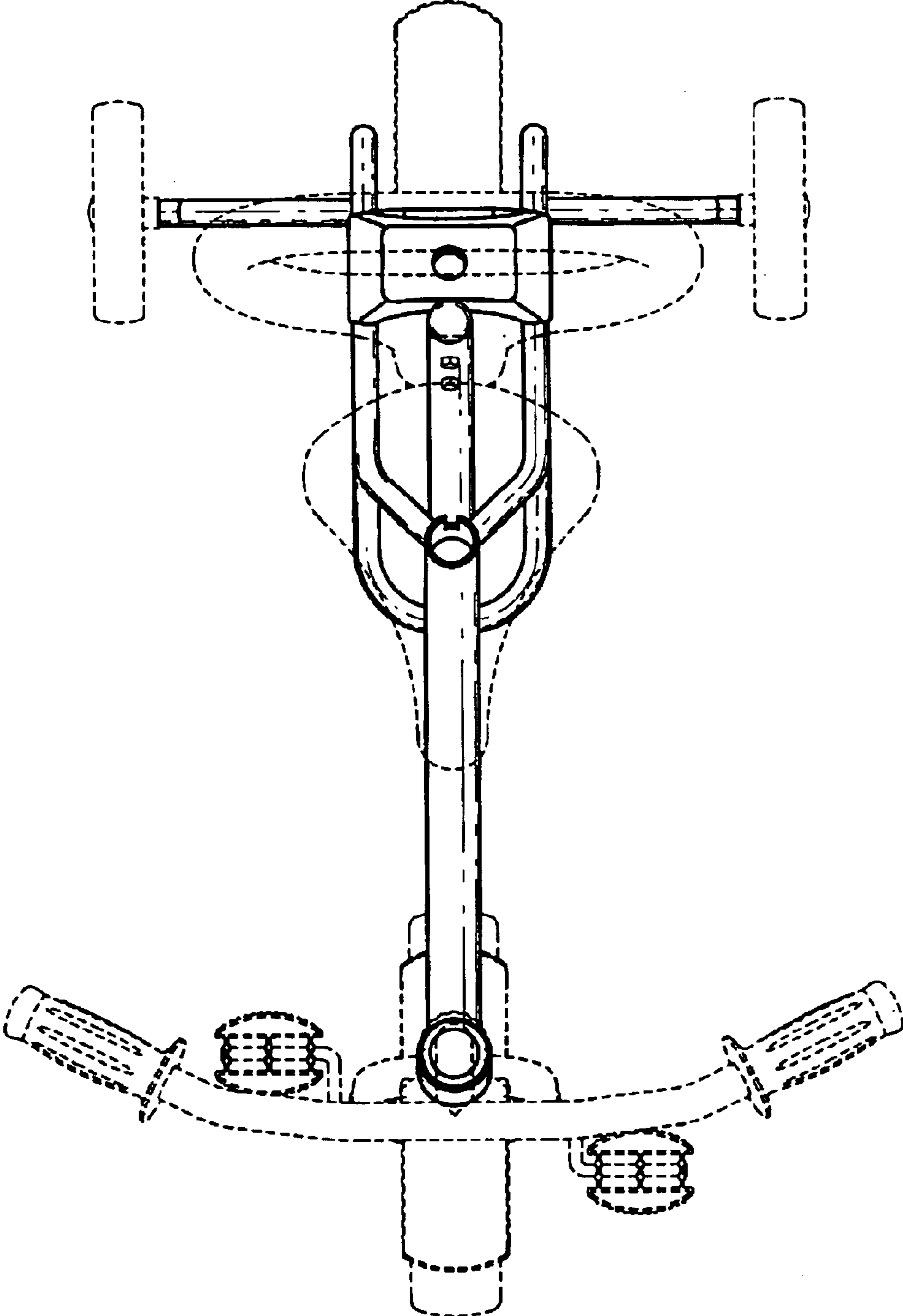


FIG. 5

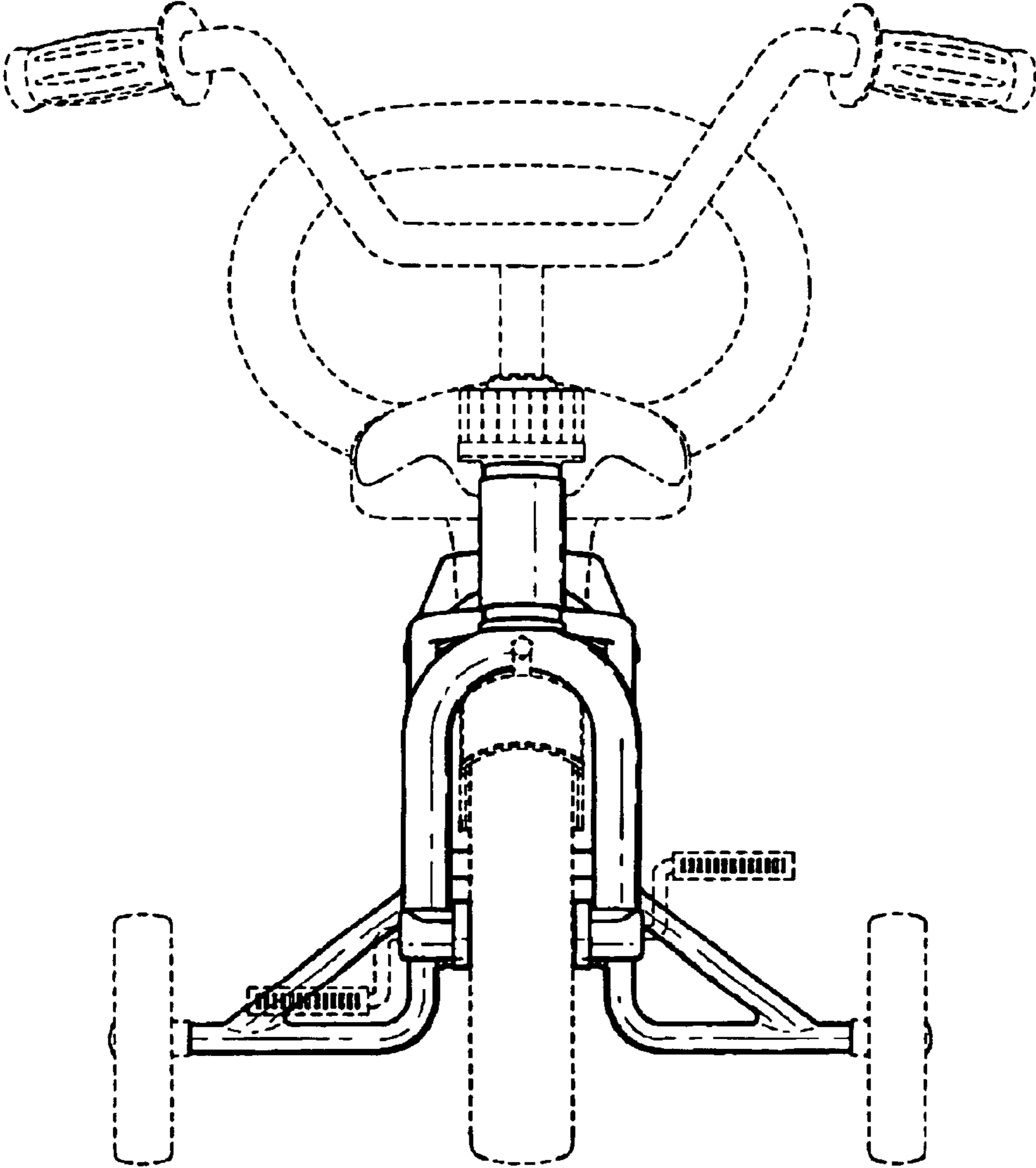


FIG. 6

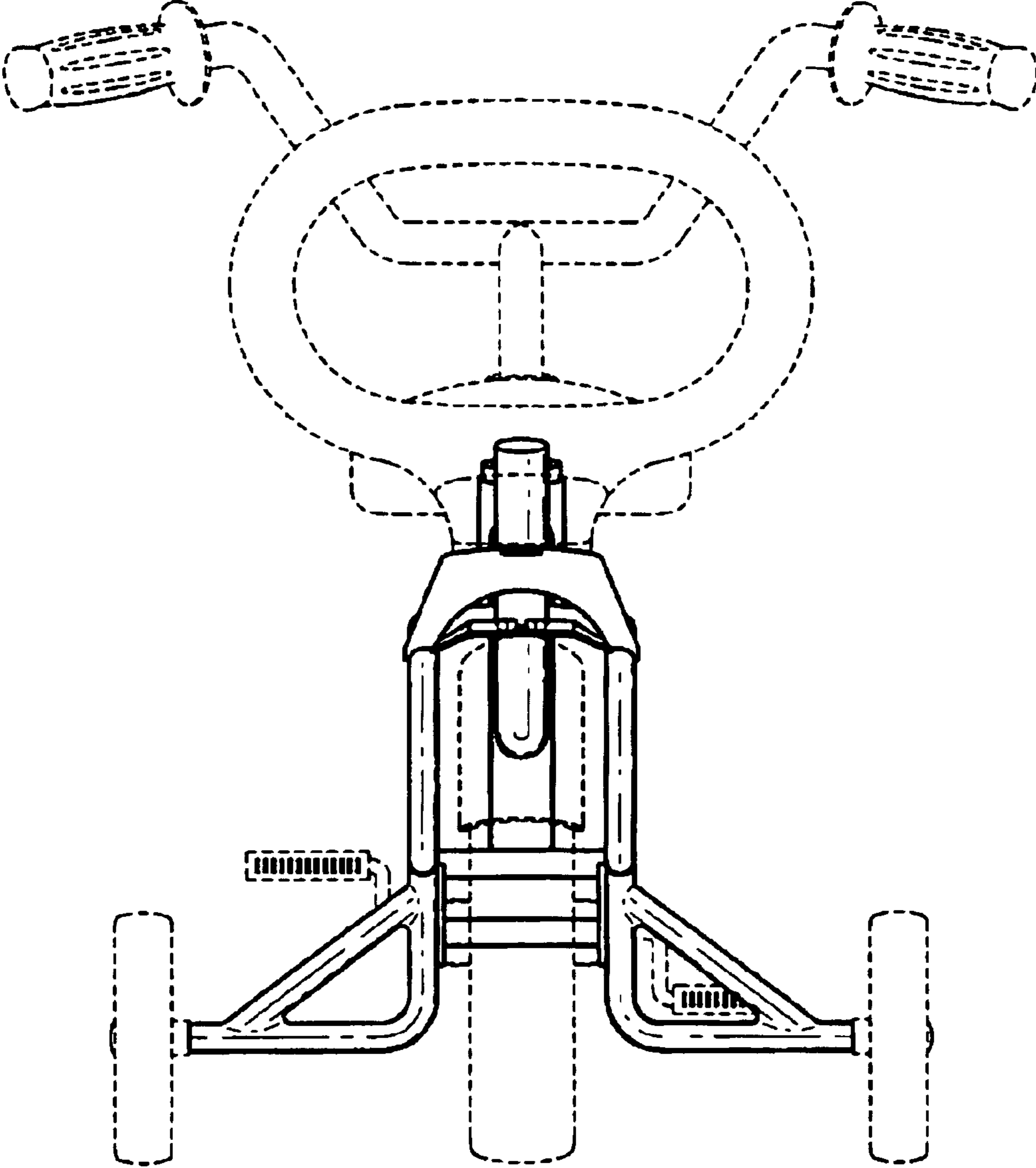


FIG. 7

