

US00D507209S

(12) **United States Design Patent**
Tateishi et al.

(10) **Patent No.:** **US D507,209 S**
(45) **Date of Patent:** **** Jul. 12, 2005**

(54) **MOTOR SCOOTER**

(75) Inventors: **Yasushi Tateishi**, Wako (JP);
Tomoyuki Okamoto, Wako (JP); **Yasuo Kume**, Wako (JP)

(73) Assignee: **Honda Motor Co., Ltd.**, Tokyo (JP)

(**) Term: **14 Years**

(21) Appl. No.: **29/193,246**

(22) Filed: **Nov. 7, 2003**

(30) **Foreign Application Priority Data**

May 9, 2003 (JP) 2003-012835

(51) **LOC (8) Cl.** **12-11**

(52) **U.S. Cl.** **D12/110**

(58) **Field of Search** D12/110; 180/219,
180/220, 225, 227, 228, 229; 280/278,
287; 297/215.12

(56) **References Cited**

U.S. PATENT DOCUMENTS

4,953,911 A * 9/1990 Hanagan 297/215.12
D314,166 S * 1/1991 Shively et al. D12/110
D458,191 S * 6/2002 Tateishi D12/110

* cited by examiner

Primary Examiner—Alan P. Douglas
Assistant Examiner—Linda Brooks

(74) *Attorney, Agent, or Firm*—Arent Fox, PLLC.

(57) **CLAIM**

The ornamental design for a motor scooter, as shown and described.

DESCRIPTION

FIG. 1 is a front view of a motor scooter showing our new design.

FIG. 2 is a rear view thereof.

FIG. 3 is a plan view thereof.

FIG. 4 is a bottom view thereof.

FIG. 5 is a right side view thereof.

FIG. 6 is a left side view thereof.

FIG. 7 is a front perspective view thereof seen from the right side.

FIG. 8 is a front perspective view thereof seen from the left side.

FIG. 9 is a rear perspective view thereof from the right side.

FIG. 10 is a rear perspective view thereof seen from the left side.

FIG. 11 is a front perspective view thereof showing the scooter with the rear seat in a raised position; and,

FIG. 12 is a rear perspective view thereof showing the scooter with the rear seat in a raised position.

1 Claim, 12 Drawing Sheets

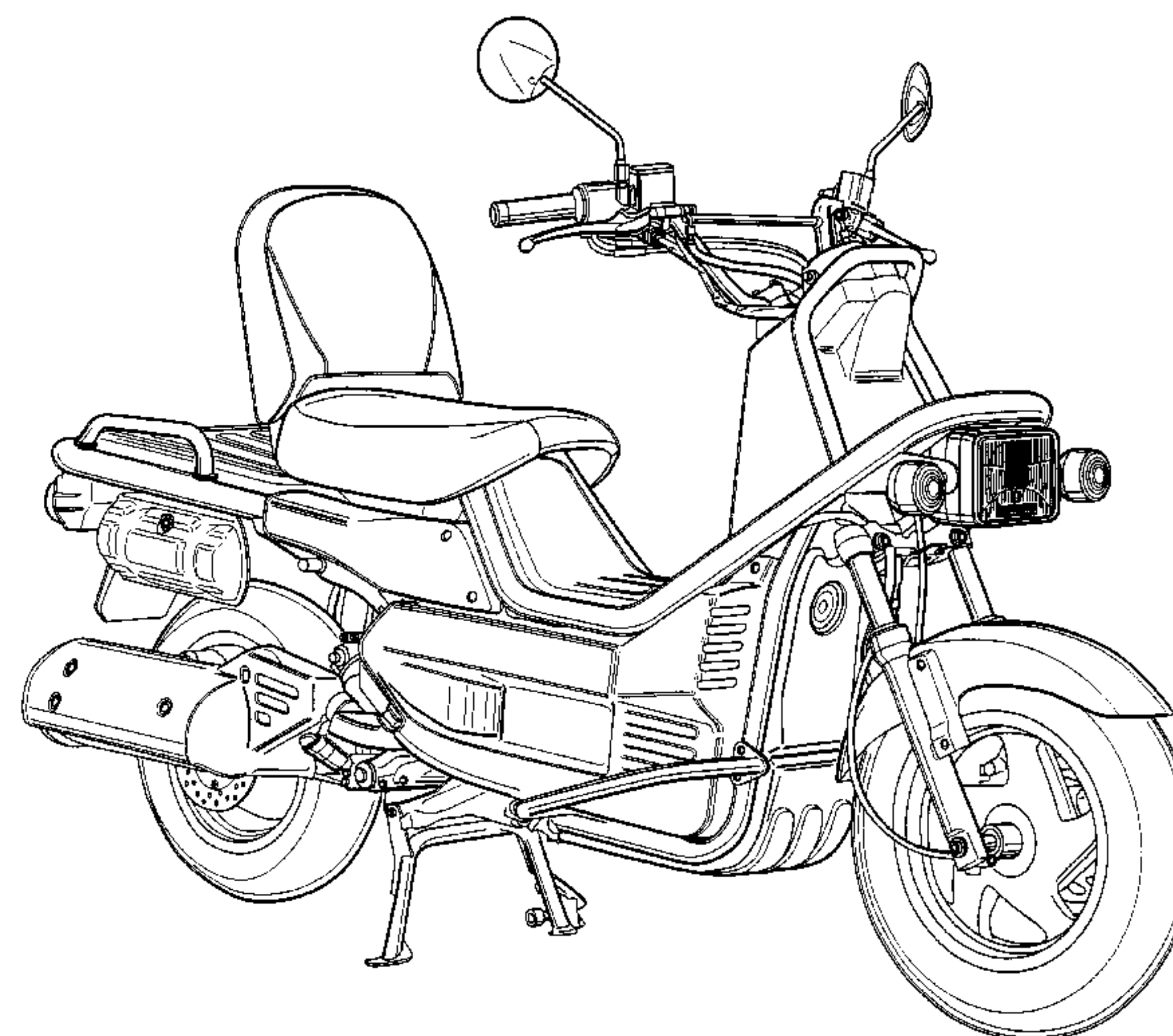
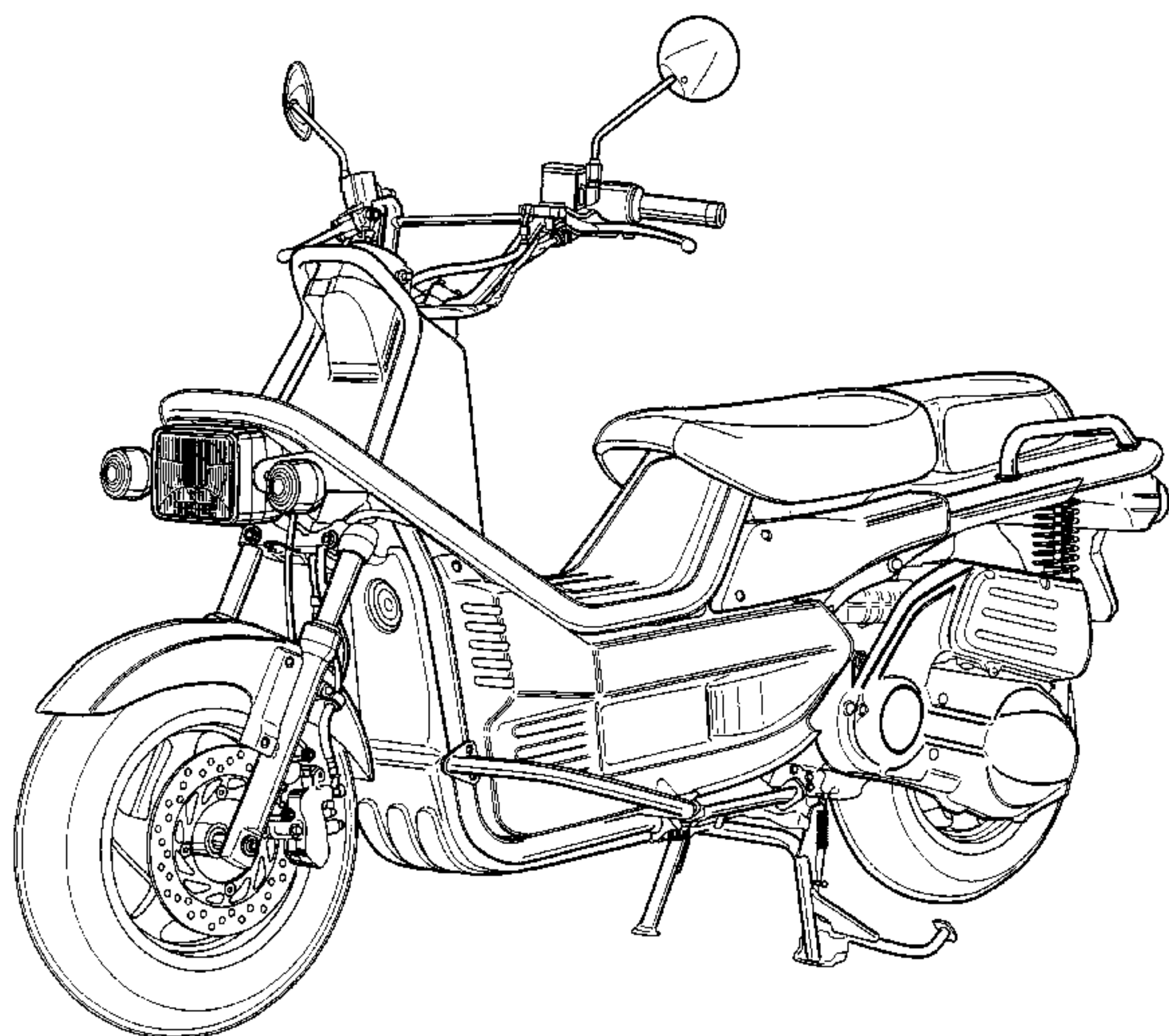


FIG. 1

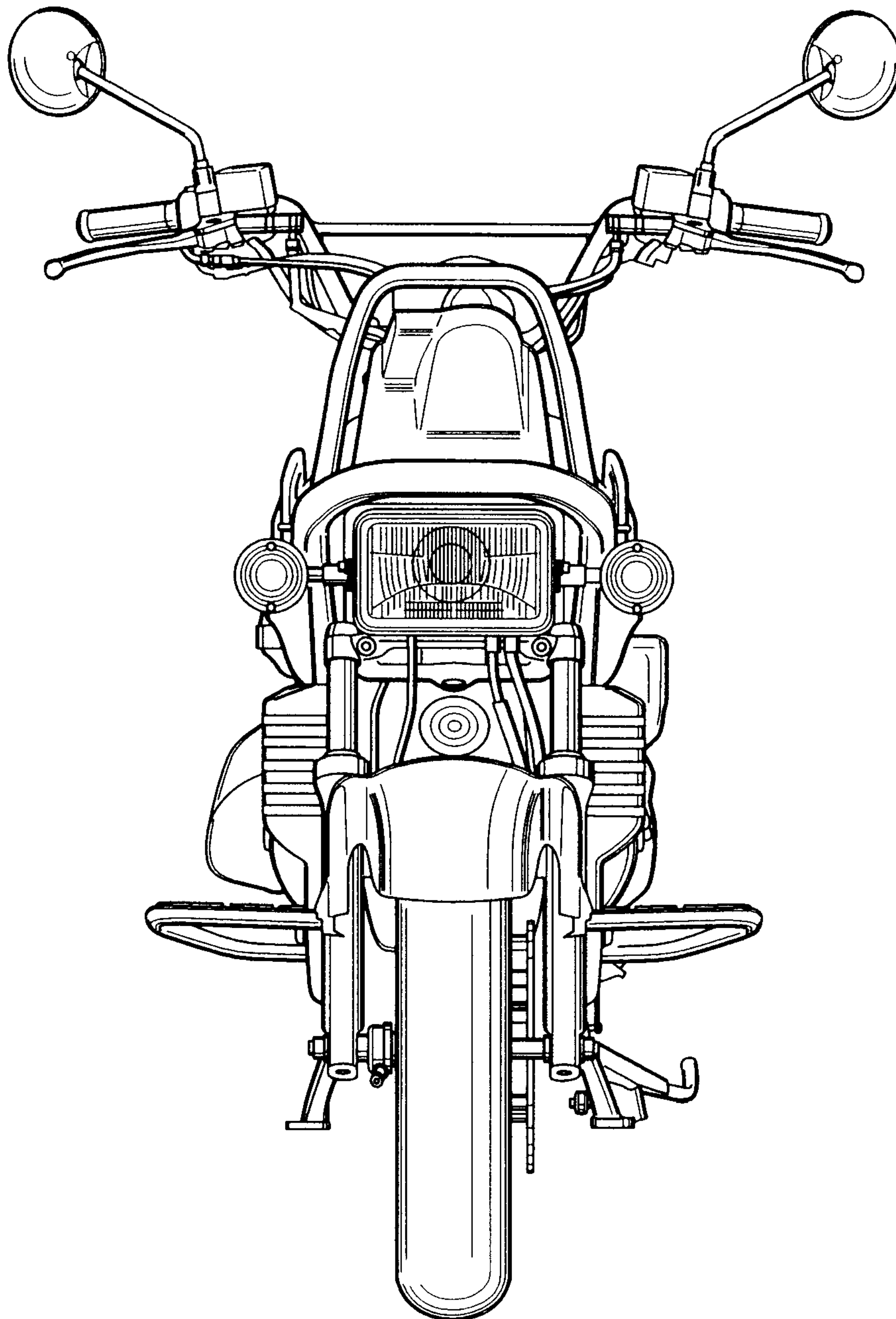


FIG.2

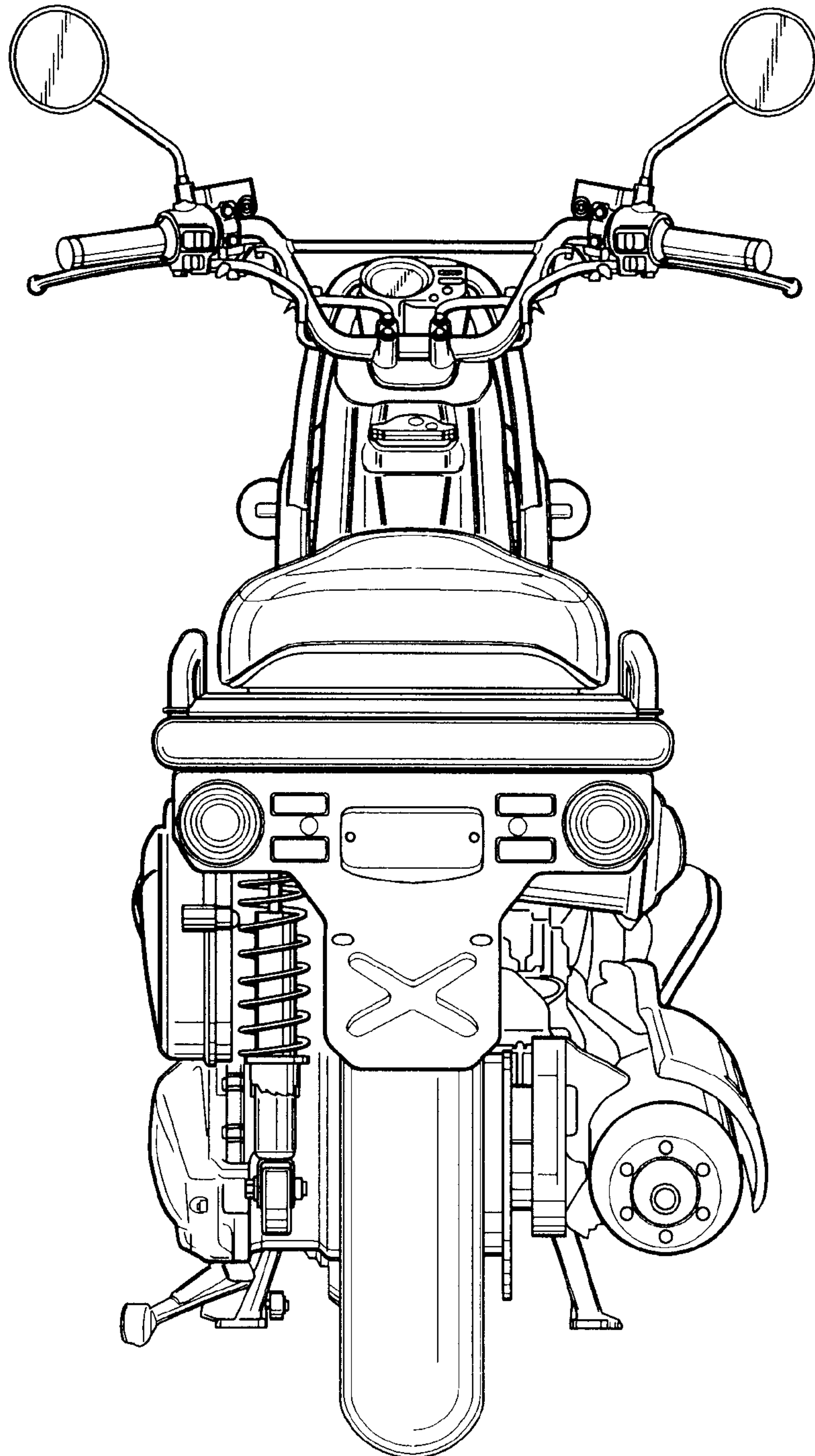


FIG.3

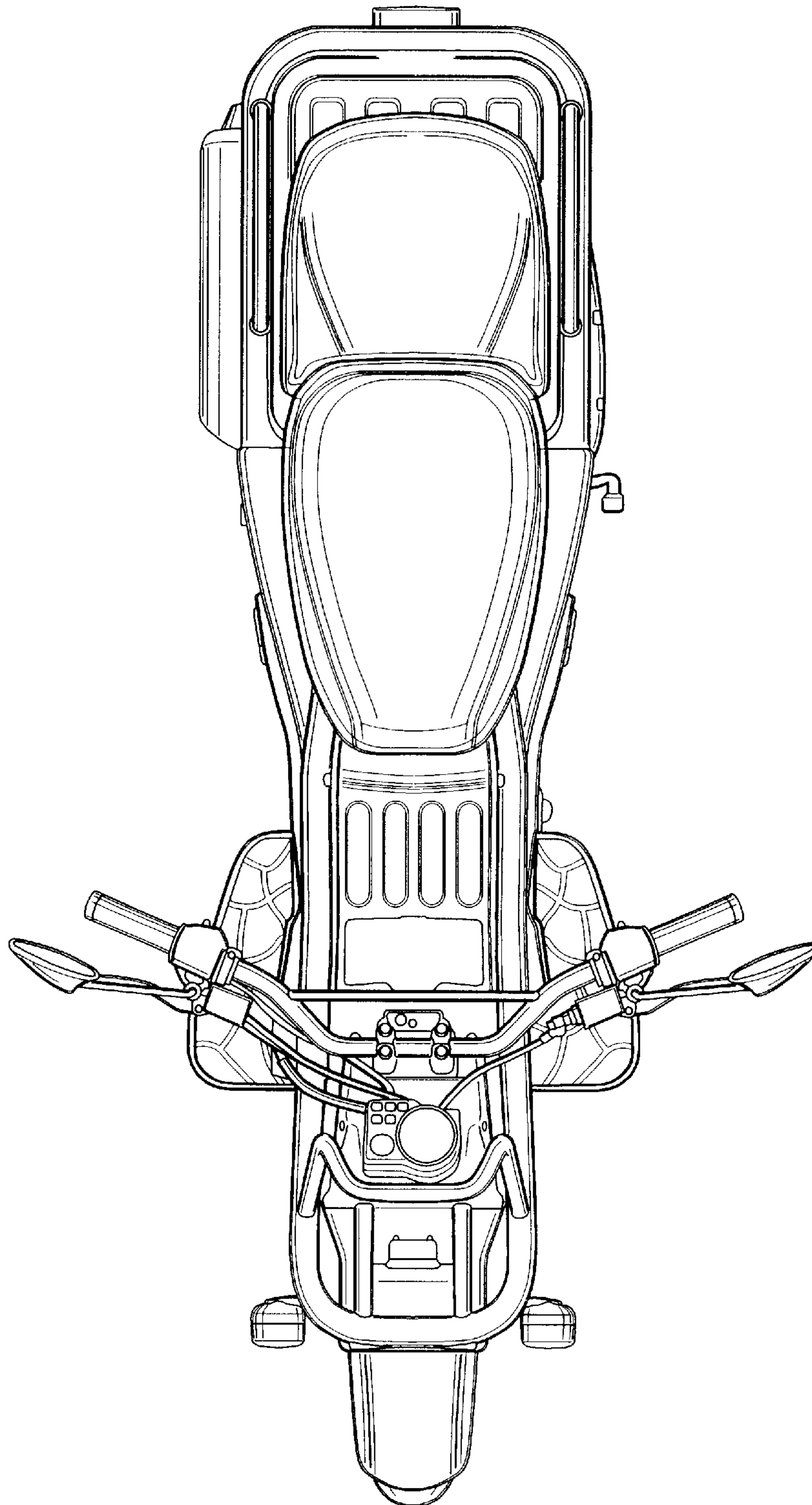
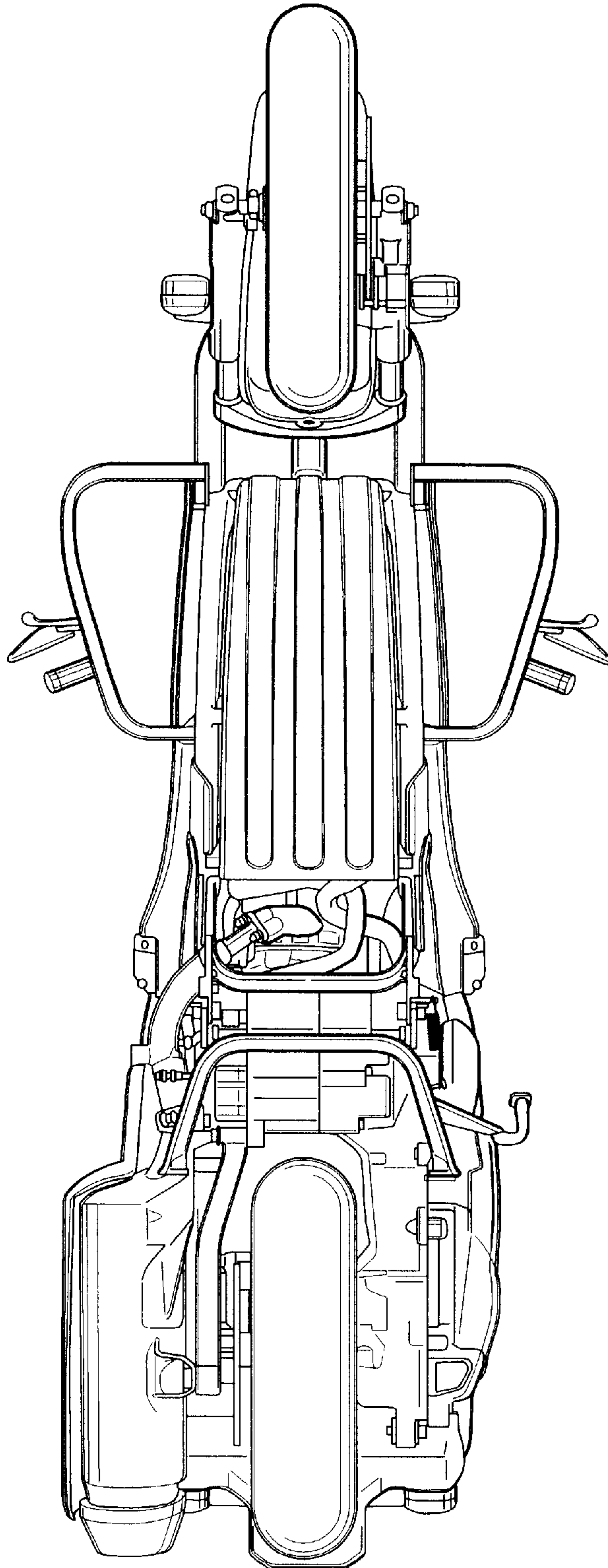


FIG.4



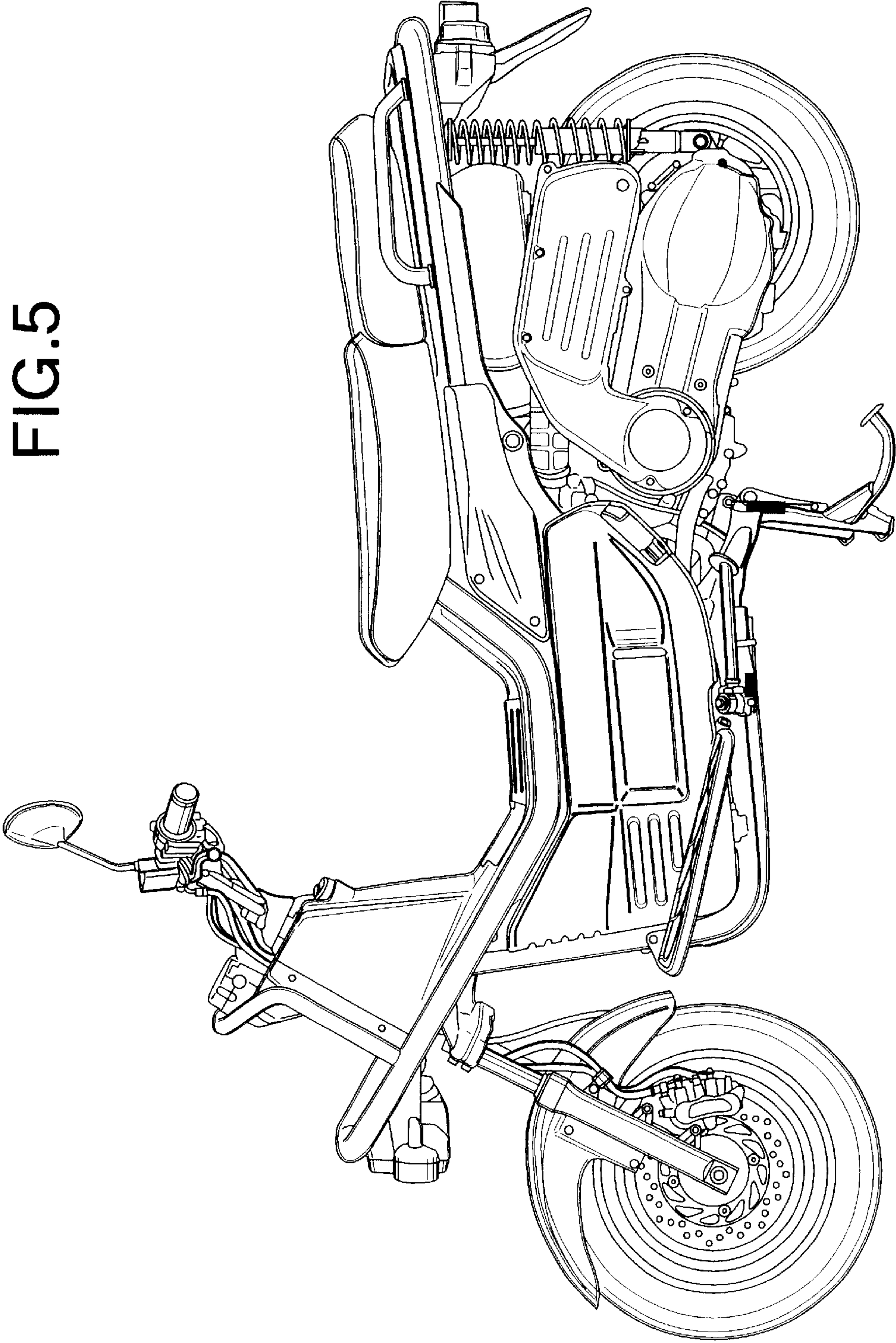


FIG.5

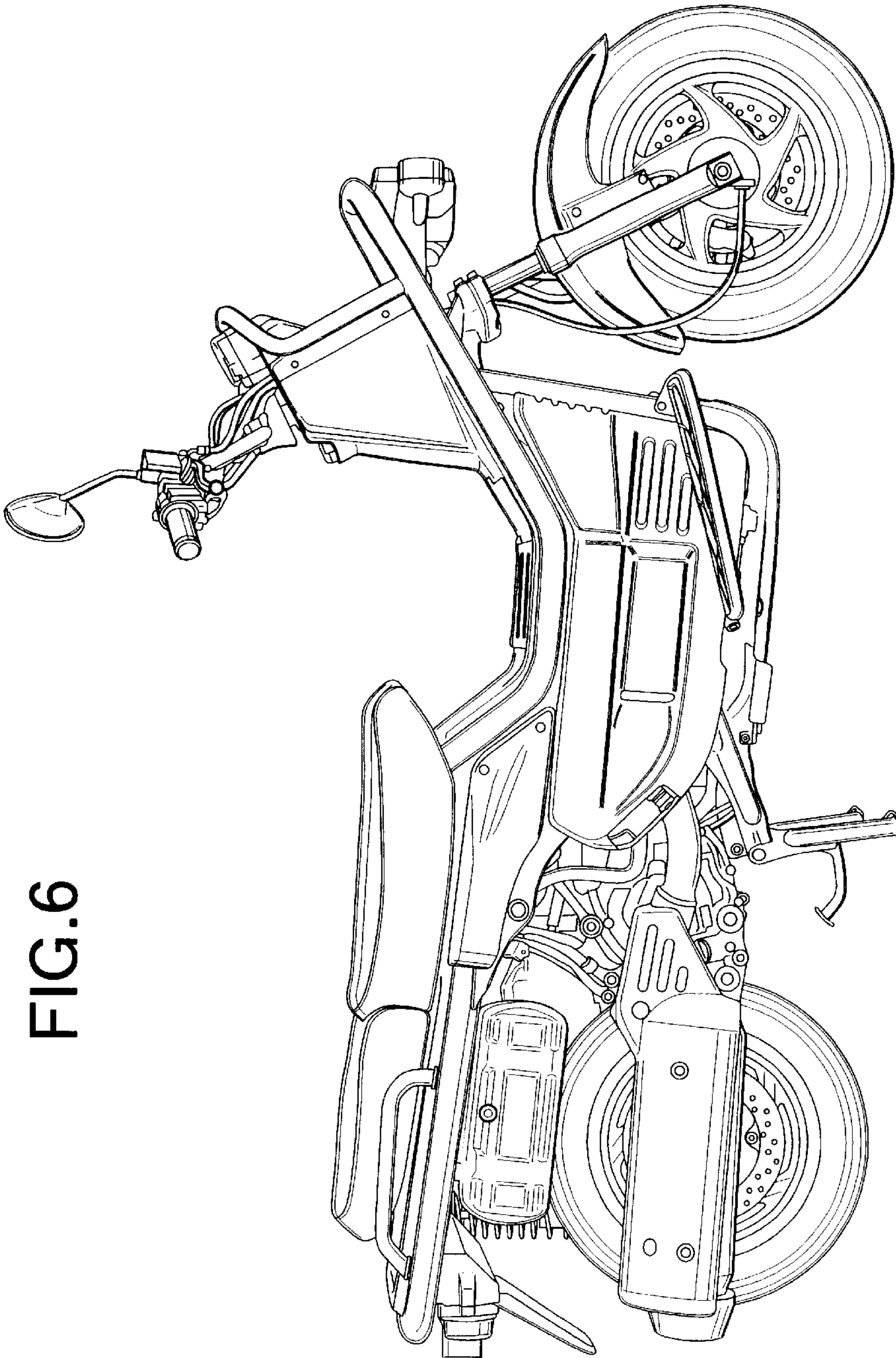
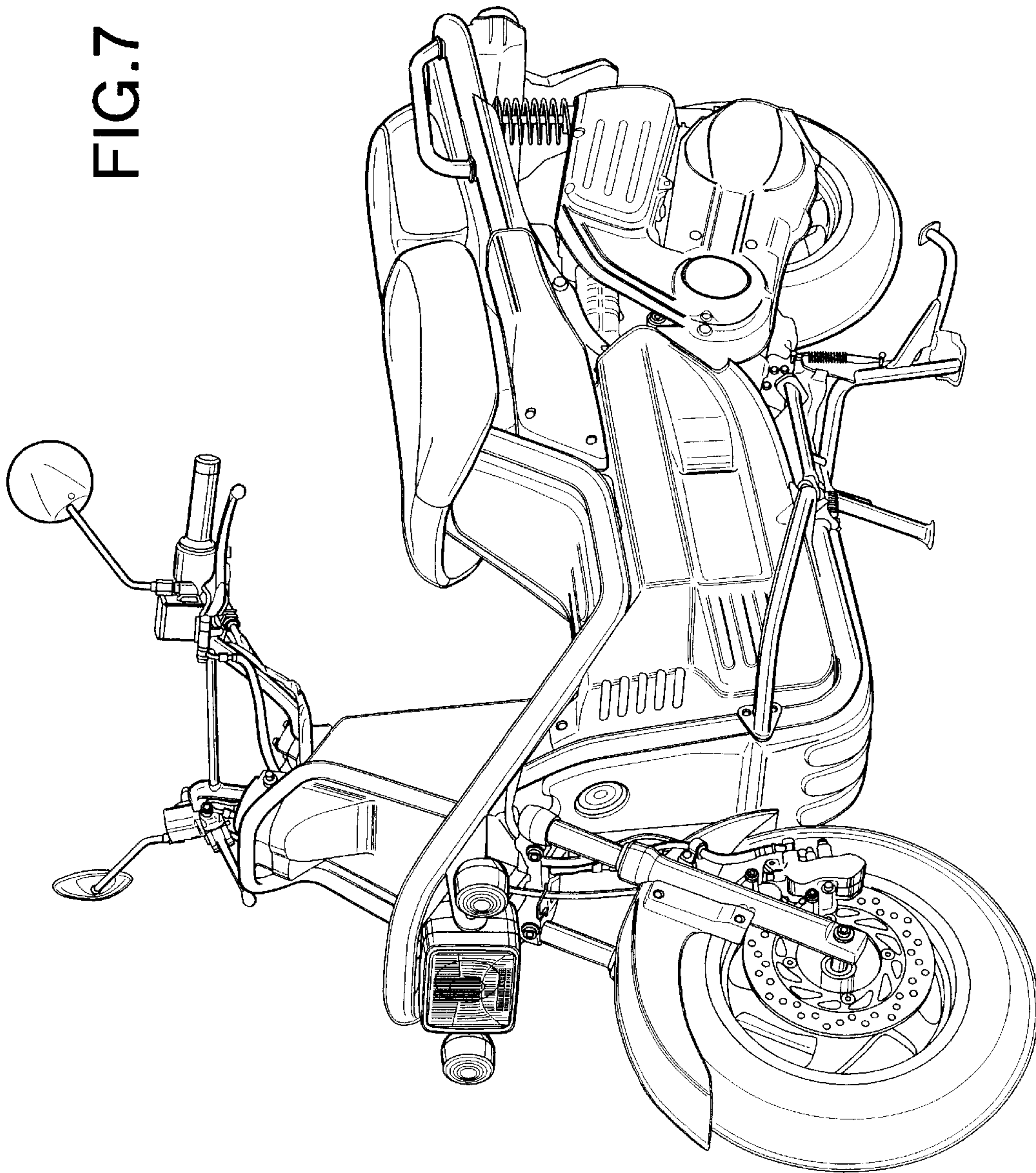


FIG.6

FIG. 7



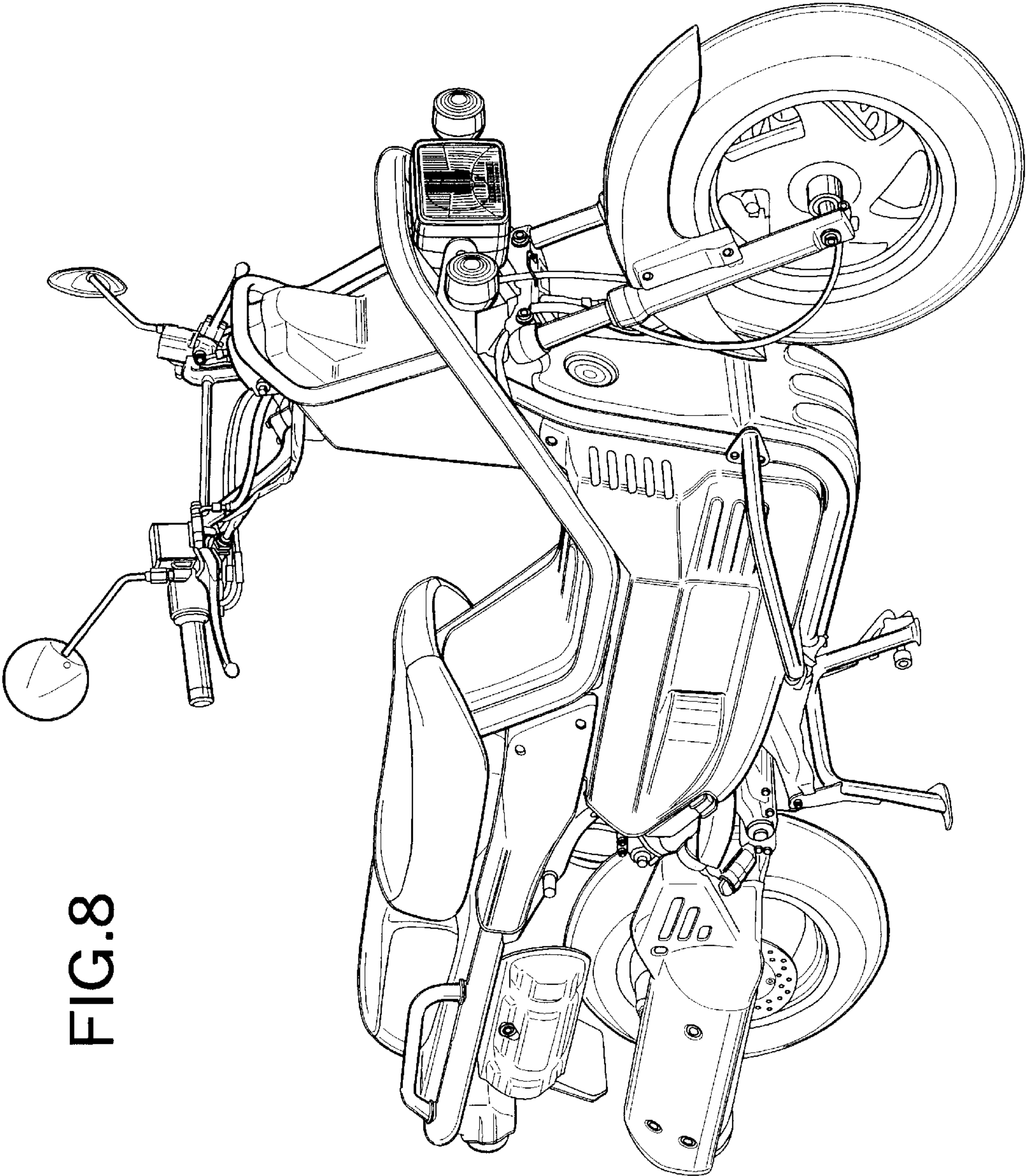
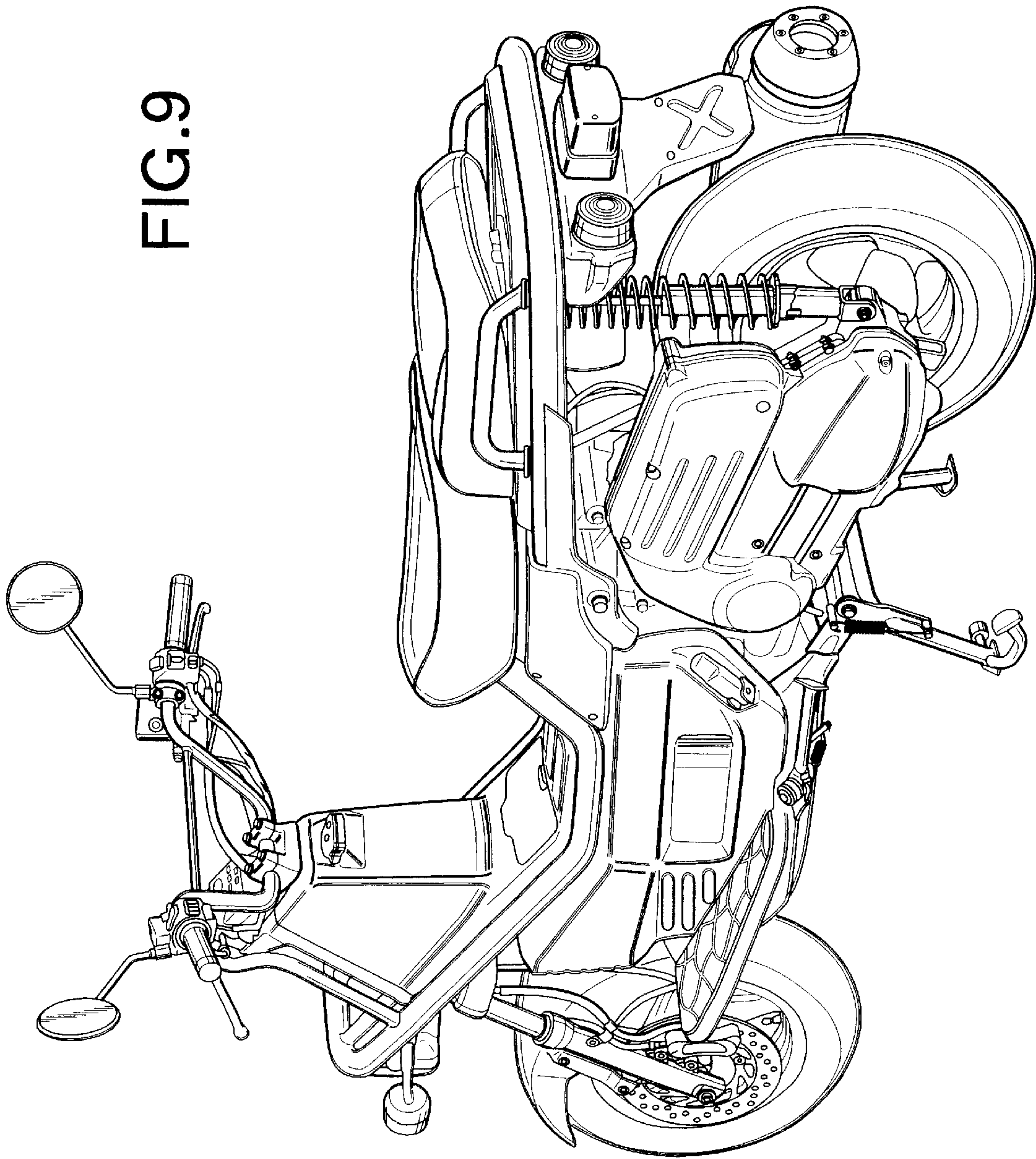


FIG.8

FIG. 9



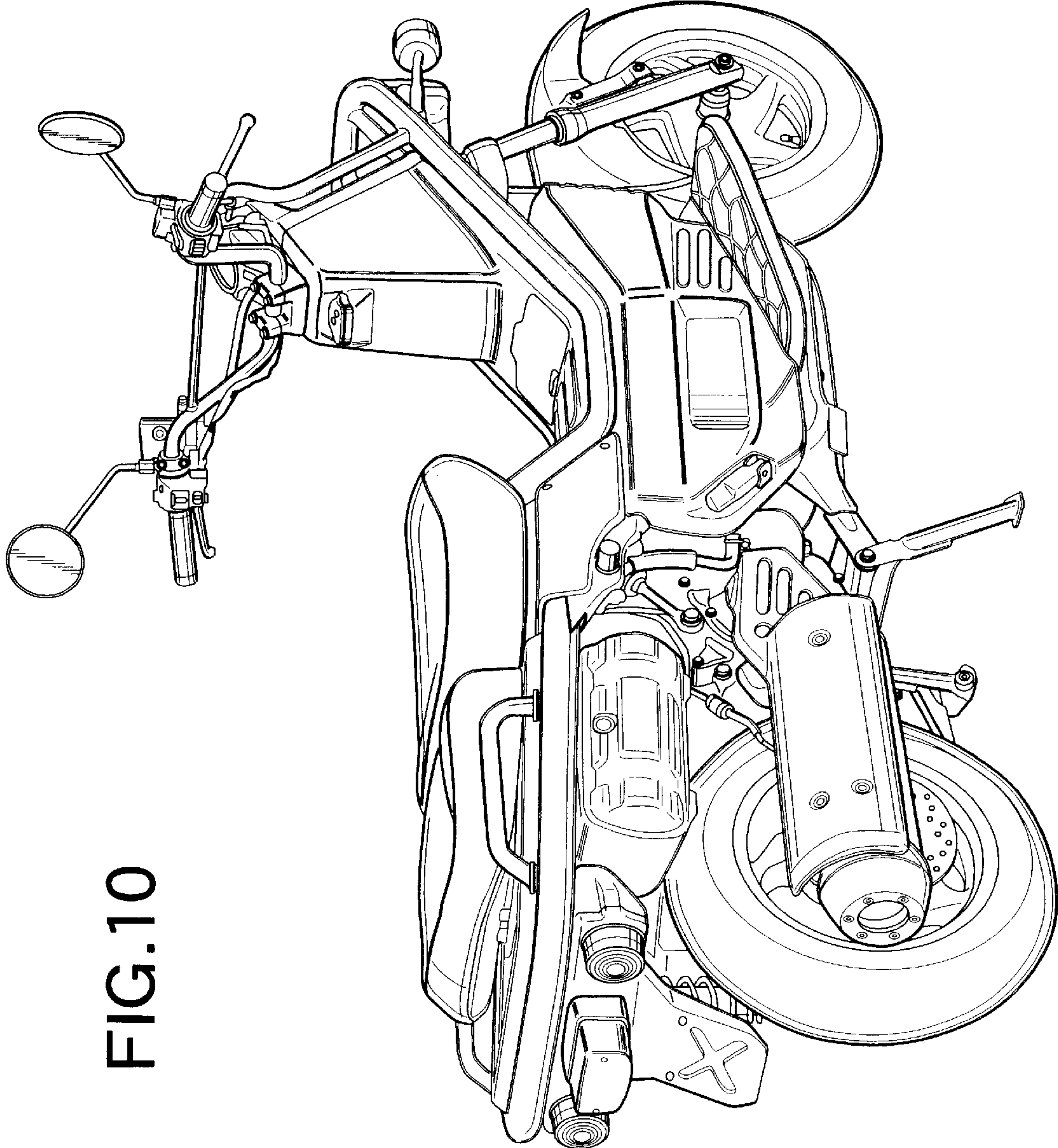


FIG.10

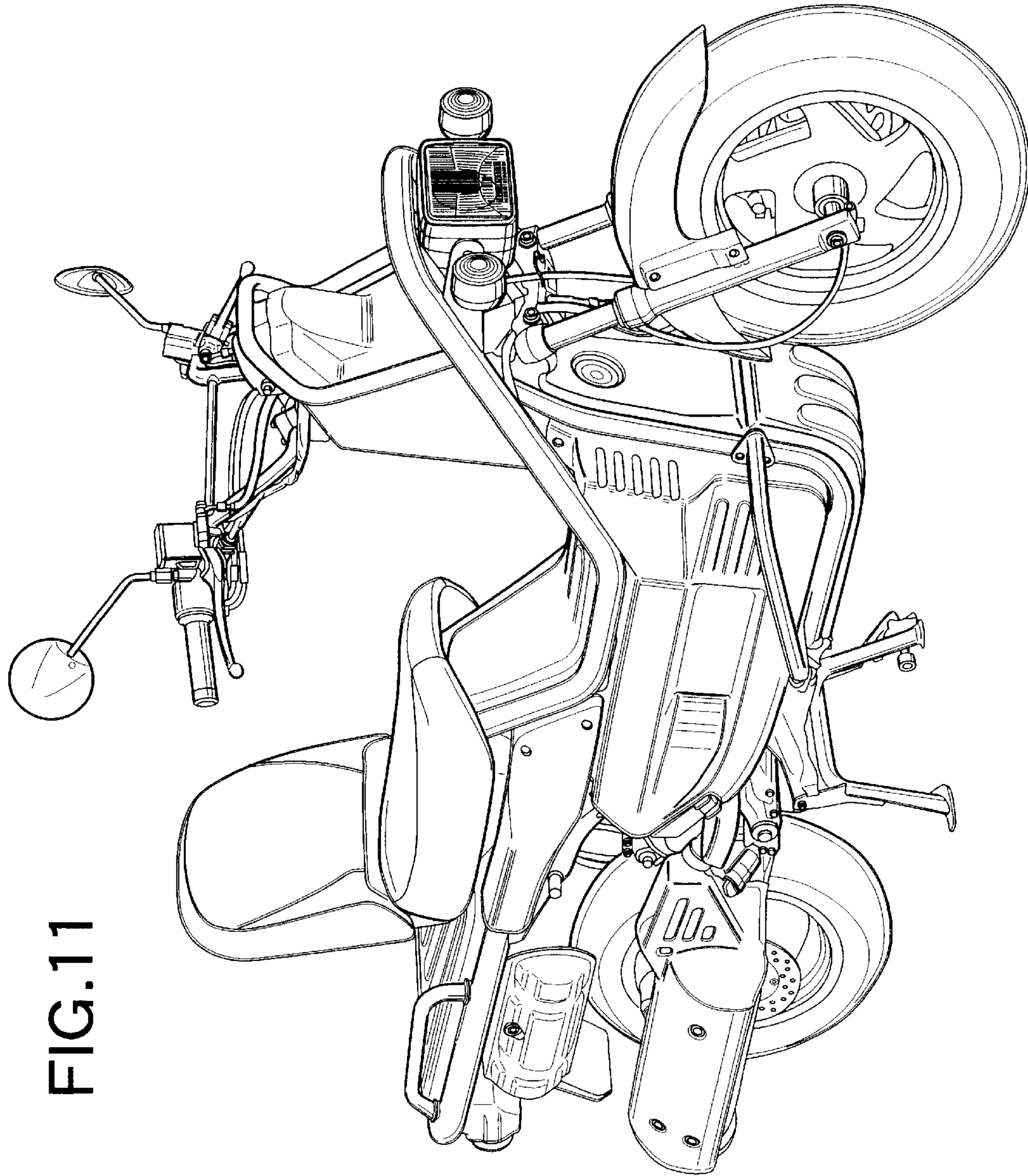


FIG.11

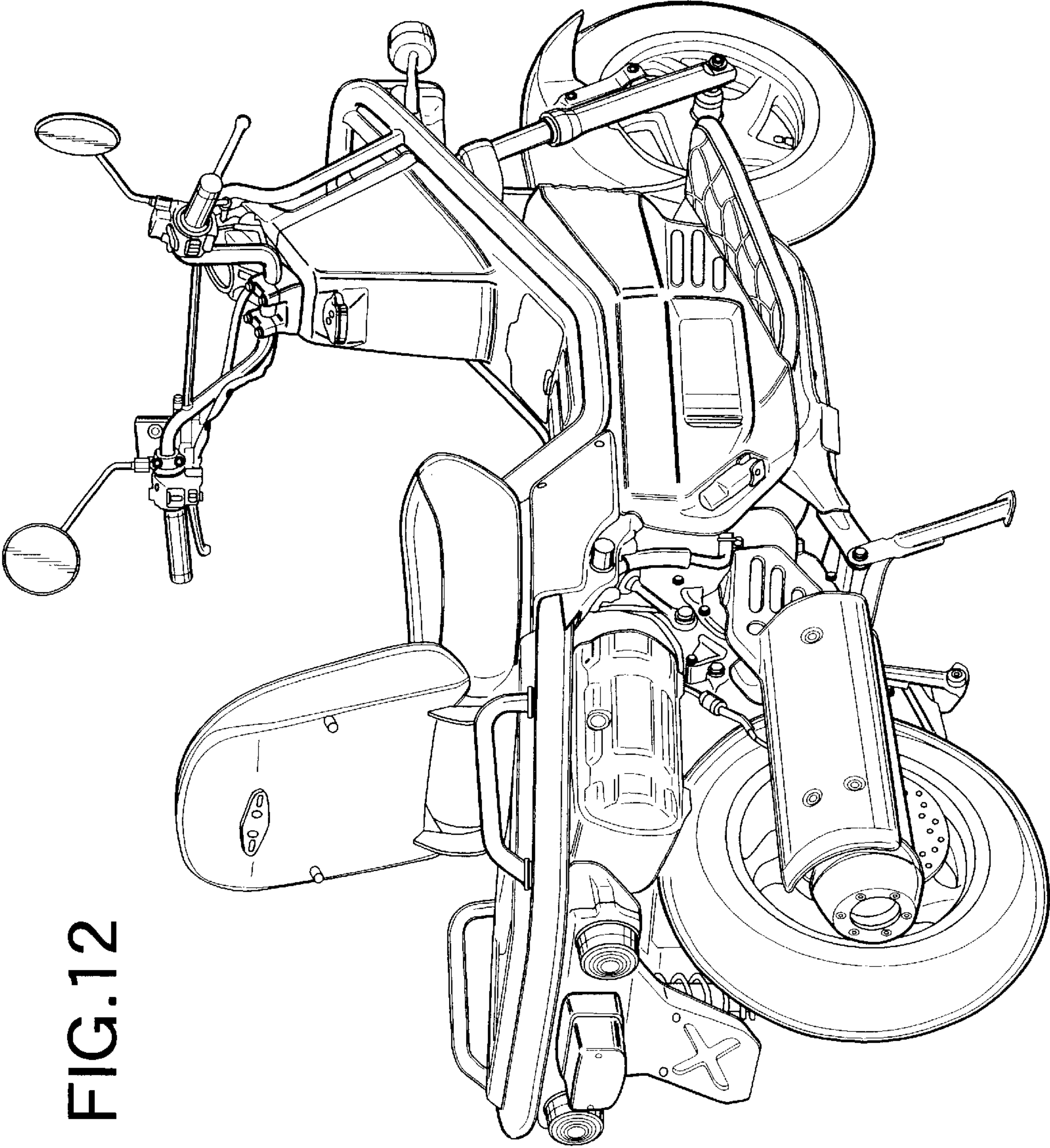


FIG.12