

US00D507206S

(12) **United States Design Patent**  
**Wang**

(10) **Patent No.:** **US D507,206 S**  
(45) **Date of Patent:** **\*\* Jul. 12, 2005**

(54) **MOTOR DRIVEN VEHICLE FOR TRANSPORTING A STANDING PERSON**

(76) **Inventor:** **John Baron Wang**, 118 13<sup>th</sup> St., Del Mar, CA (US) 92014

(\*\*) **Term:** **14 Years**

(21) **Appl. No.:** **29/201,952**

(22) **Filed:** **Mar. 22, 2004**

(51) **LOC (8) Cl.** ..... **12-14**

(52) **U.S. Cl.** ..... **D12/1**

(58) **Field of Search** ..... D12/1, 107, 16, D12/85, 128, 131, 174-181, 184-186; D21/423; 180/19.1, 78, 180, 211, 189.13, 21, 218, 13, 333, 315, 208, 210; 280/220-221, 11.115, 842

(56) **References Cited**

**U.S. PATENT DOCUMENTS**

D192,912 S \* 5/1962 Weigel et al. .... D12/85  
D199,384 S \* 10/1964 Laher ..... D12/85  
D227,813 S \* 7/1973 Armstrong ..... D12/128

4,087,108 A \* 5/1978 Winchell ..... 280/221  
4,750,578 A \* 6/1988 Brandenfels ..... 180/13  
6,334,838 B1 \* 1/2002 Lee ..... 482/51  
6,375,208 B1 \* 4/2002 Lee ..... 280/245  
6,561,294 B1 \* 5/2003 Kamen et al. .... 180/21

\* cited by examiner

*Primary Examiner*—Nelson C. Holtje

(74) *Attorney, Agent, or Firm*—Ted Masters

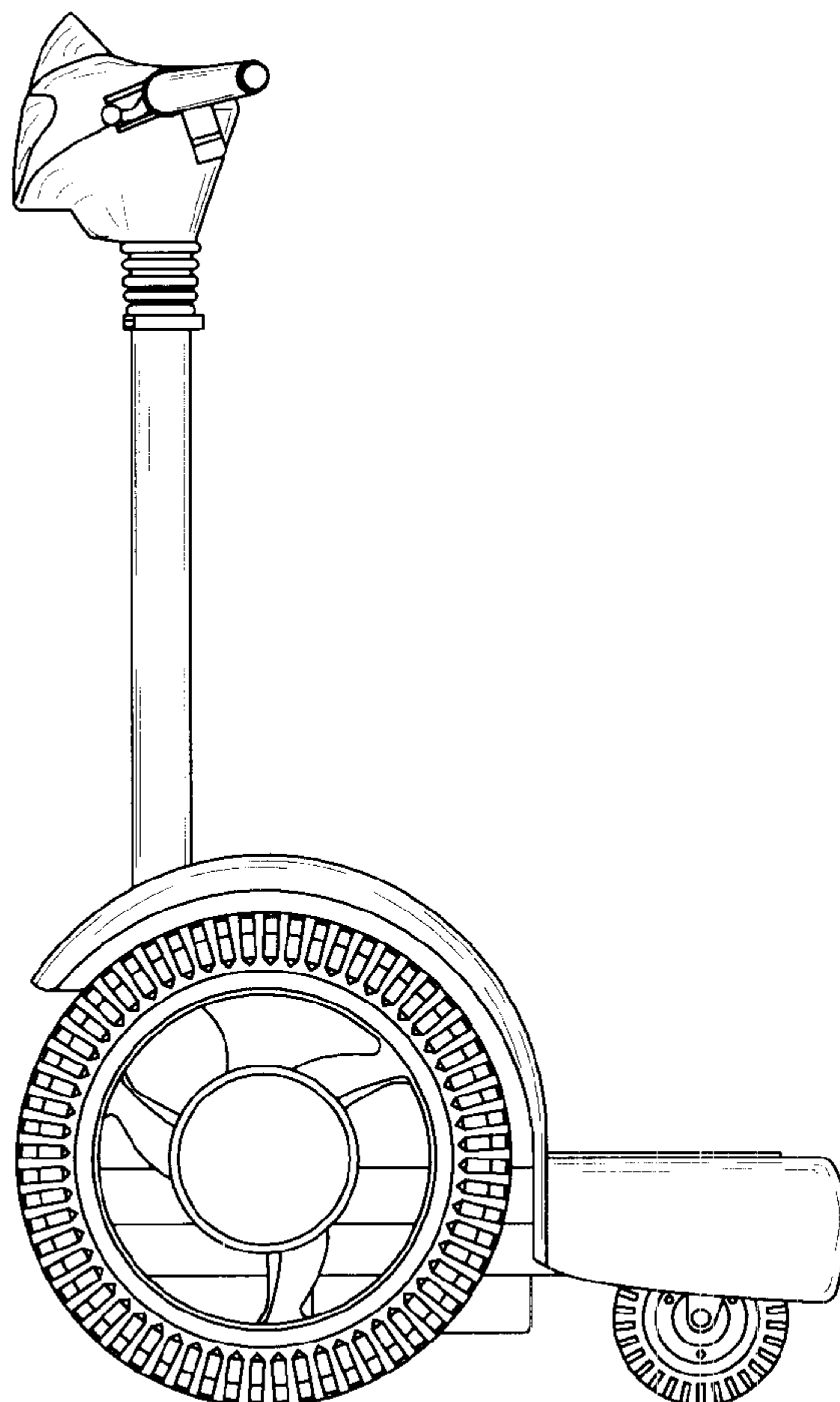
(57) **CLAIM**

The ornamental design for a motor driven vehicle for transporting a standing person, as shown and described.

**DESCRIPTION**

FIG. 1 is a right side elevational view of a motor driven vehicle for transporting a standing person; FIG. 2 is a top plan view thereof; FIG. 3 is a front elevational view thereof; FIG. 4 is a rear elevational view thereof; and, FIG. 5 is a left side elevational view thereof. The broken line showing of housing is for illustrative purposes only and forms no part of the claimed design.

**1 Claim, 3 Drawing Sheets**



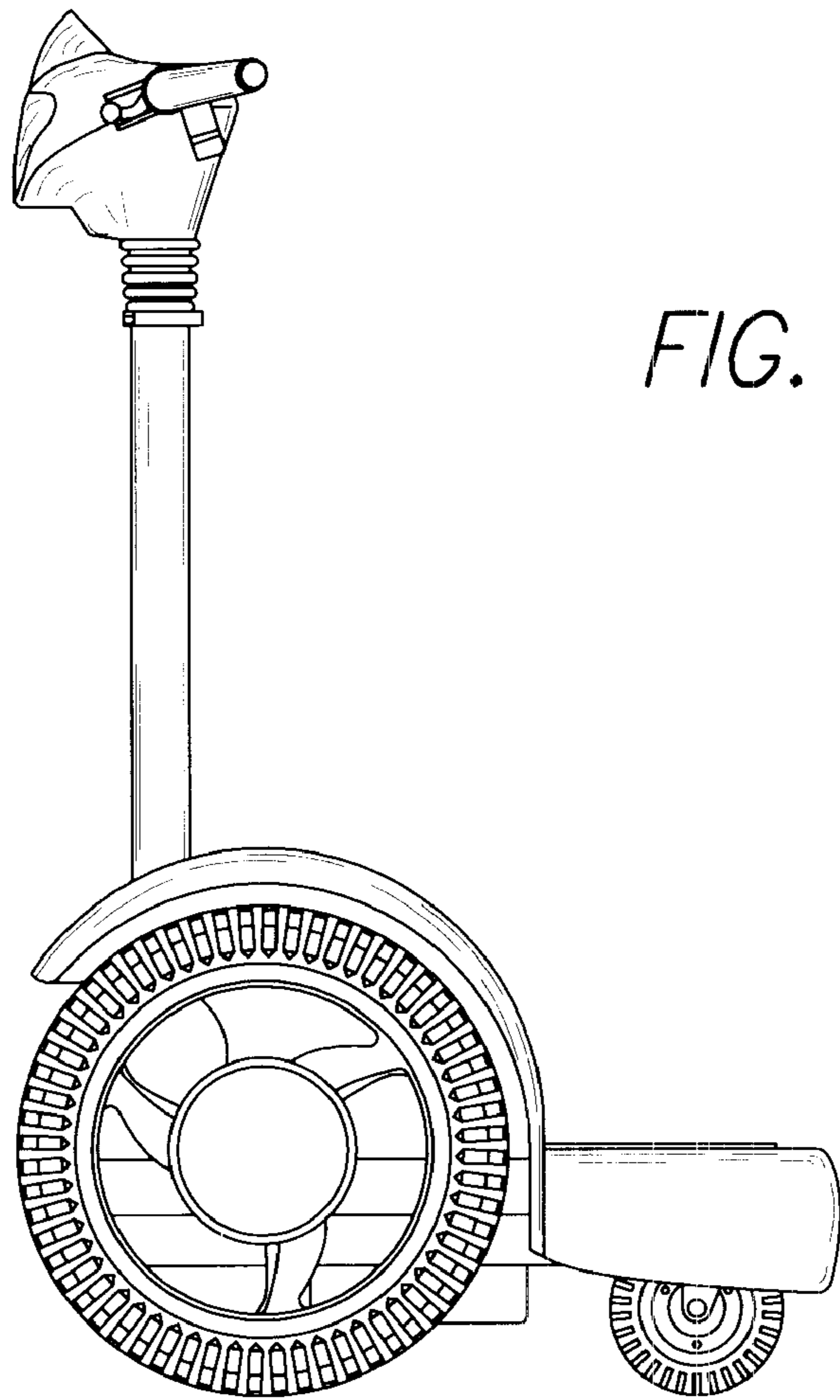


FIG. 1

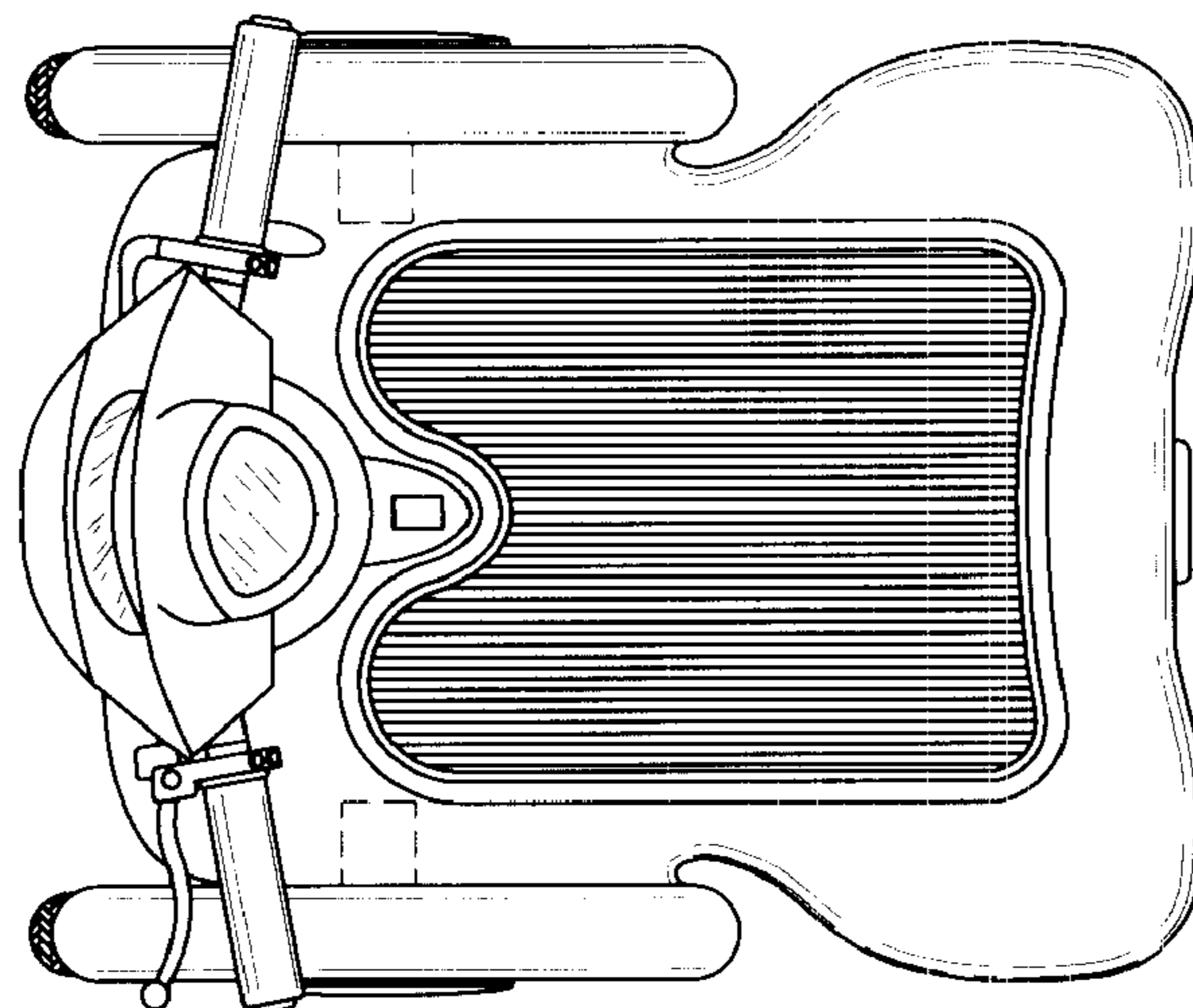


FIG. 2

FIG. 4

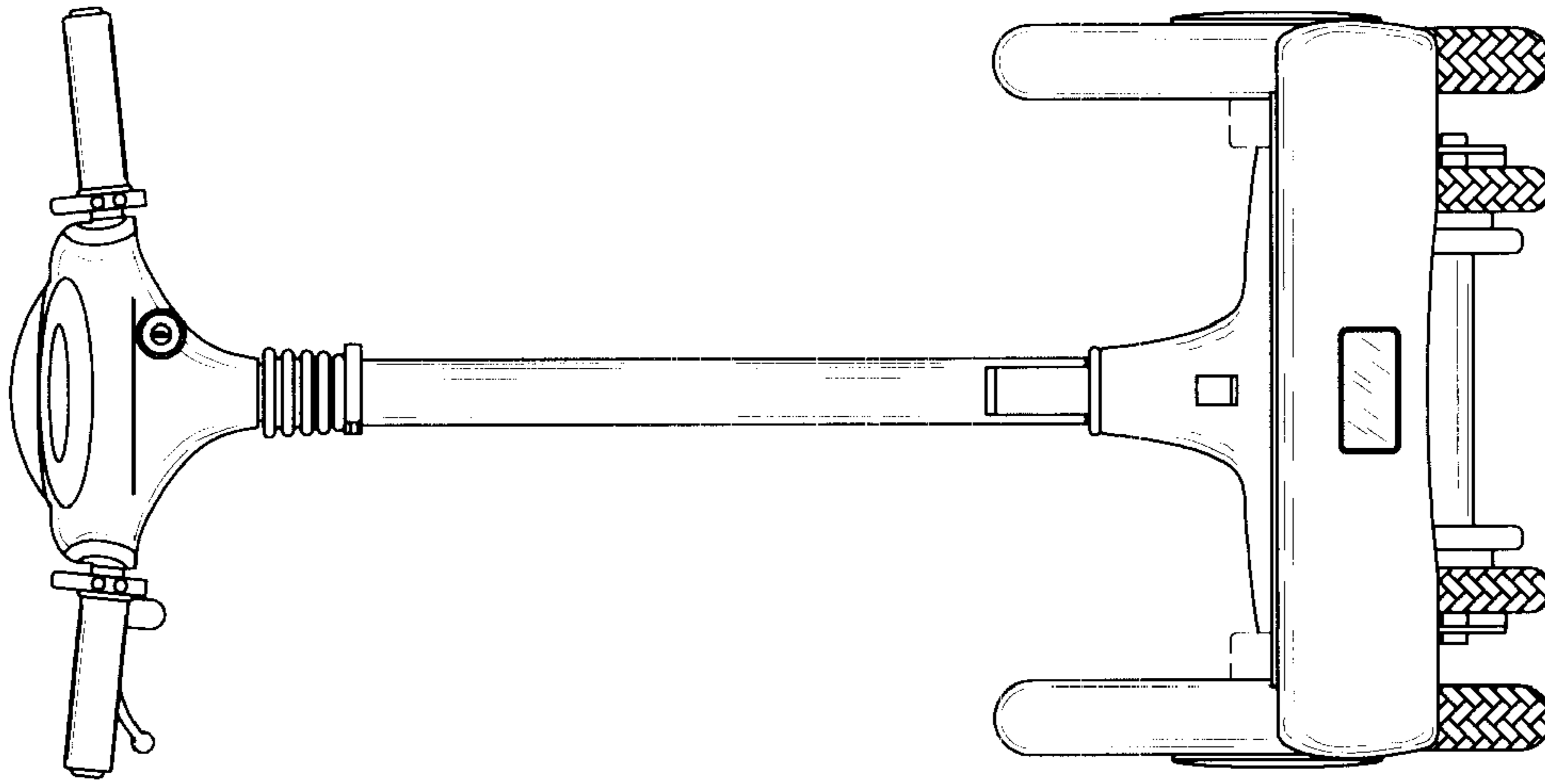
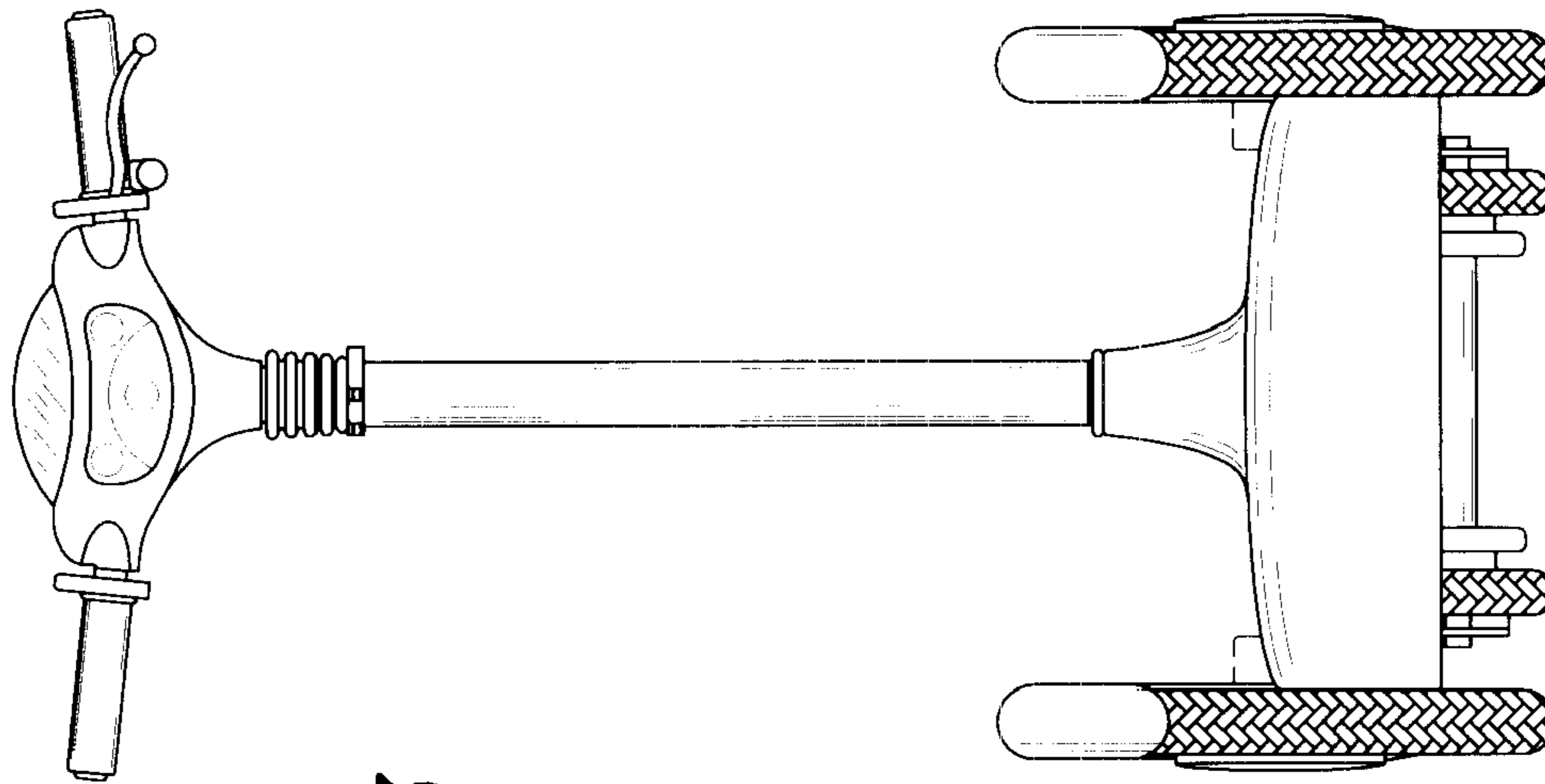


FIG. 3



*FIG. 5*

