



US00D507205S

(12) **United States Design Patent** (10) **Patent No.:** **US D507,205 S**  
**Bier et al.** (45) **Date of Patent:** **\*\* Jul. 12, 2005**

(54) **COLLAR STAY**

(75) Inventors: **Jason J. Bier**, Chicago, IL (US);  
**Joshua A. Gutstein**, Chicago, IL (US)

(73) Assignee: **BG & Sons, LLC**, Chicago, IL (US)

(\*\*) Term: **14 Years**

(21) Appl. No.: **29/179,009**

(22) Filed: **Apr. 3, 2003**

(51) **LOC (8) Cl.** ..... **02-07**

(52) **U.S. Cl.** ..... **D11/202**; 24/900.1

(58) **Field of Search** ..... D11/200, 202,  
D11/215, 222; 24/10 R, 9, 16, 50, 51, 61,  
62.2, 114.1, 589.1, 706, 900.1

(56) **References Cited**

**U.S. PATENT DOCUMENTS**

D29,727	S	*	11/1898	Pilcher	.....	D11/200
832,216	A	*	10/1906	Shults	.....	24/114.11
D40,205	S	*	8/1909	Dixon	.....	D11/222
D40,206	S	*	8/1909	Dixon	.....	D11/222
1,118,518	A	*	11/1914	Passett	.....	24/706.8
1,155,962	A	*	10/1915	Saunders	.....	24/114.11
D55,553	S	*	6/1920	Dorward	.....	D11/202
1,518,763	A	*	12/1924	Williams	.....	24/61
3,075,202	A		1/1963	Rubio		
3,832,737	A		9/1974	Podosky		
D265,145	S		6/1982	Piorek		
D312,984	S		12/1990	Sprick		
D312,985	S		12/1990	Sprick		
D334,156	S		3/1993	Sprick		
5,201,100	A	*	4/1993	Cardinale	.....	24/306
D335,897	S	*	5/1993	Huckeba	.....	D20/22
5,303,571	A	*	4/1994	Quinn et al.	.....	72/336
D449,250	S	*	10/2001	Everett	.....	D11/215
D468,232	S	*	1/2003	Biond	.....	D11/202

**OTHER PUBLICATIONS**

www.ctshirts.com/renoir, Charles Tyrwhitt Catalog—  
2002—p. 6.\*

www.justwhiteshirts.com, Just White Shirts Catalog—Early  
spring 2003—p. 95.\*

www.bensilver.com, BenSilver Catalog—Holiday 2004—p.  
118.\*

www.rtkshirts.com, RTK Shirts Catalog—2002—p. 22.\*

\* cited by examiner

*Primary Examiner*—Louis S. Zarfes

*Assistant Examiner*—Sarah Gill

(74) *Attorney, Agent, or Firm*—Bell Boyd & Lloyd LLC

(57) **CLAIM**

The ornamental design for a collar stay, as shown and  
described.

**DESCRIPTION**

FIG. 1 is a top perspective view of a collar stay showing our  
new design;

FIG. 2 is a top plan view thereof;

FIG. 3 is a bottom plan view thereof;

FIG. 4 is a rear elevation view thereof;

FIG. 5 is a front elevation view thereof;

FIG. 6 is a left elevation view thereof;

FIG. 7 is a right elevation view thereof;

FIG. 8 is a top perspective view of a second embodiment of  
FIG. 1, the only difference being the location of the hole;

FIG. 9 is a top plan view of FIG. 8;

FIG. 10 is a bottom plan view of FIG. 8;

FIG. 11 is a rear elevation view of FIG. 8;

FIG. 12 is a front elevation view of FIG. 8;

FIG. 13 is a left elevation view of FIG. 8;

FIG. 14 is a right elevation view of FIG. 8;

FIG. 15 is a top perspective view of a third embodiment of  
FIG. 1, the only difference being the presence of two holes;

FIG. 16 is a top plan view of FIG. 15;

FIG. 17 is a bottom plan view of FIG. 15;

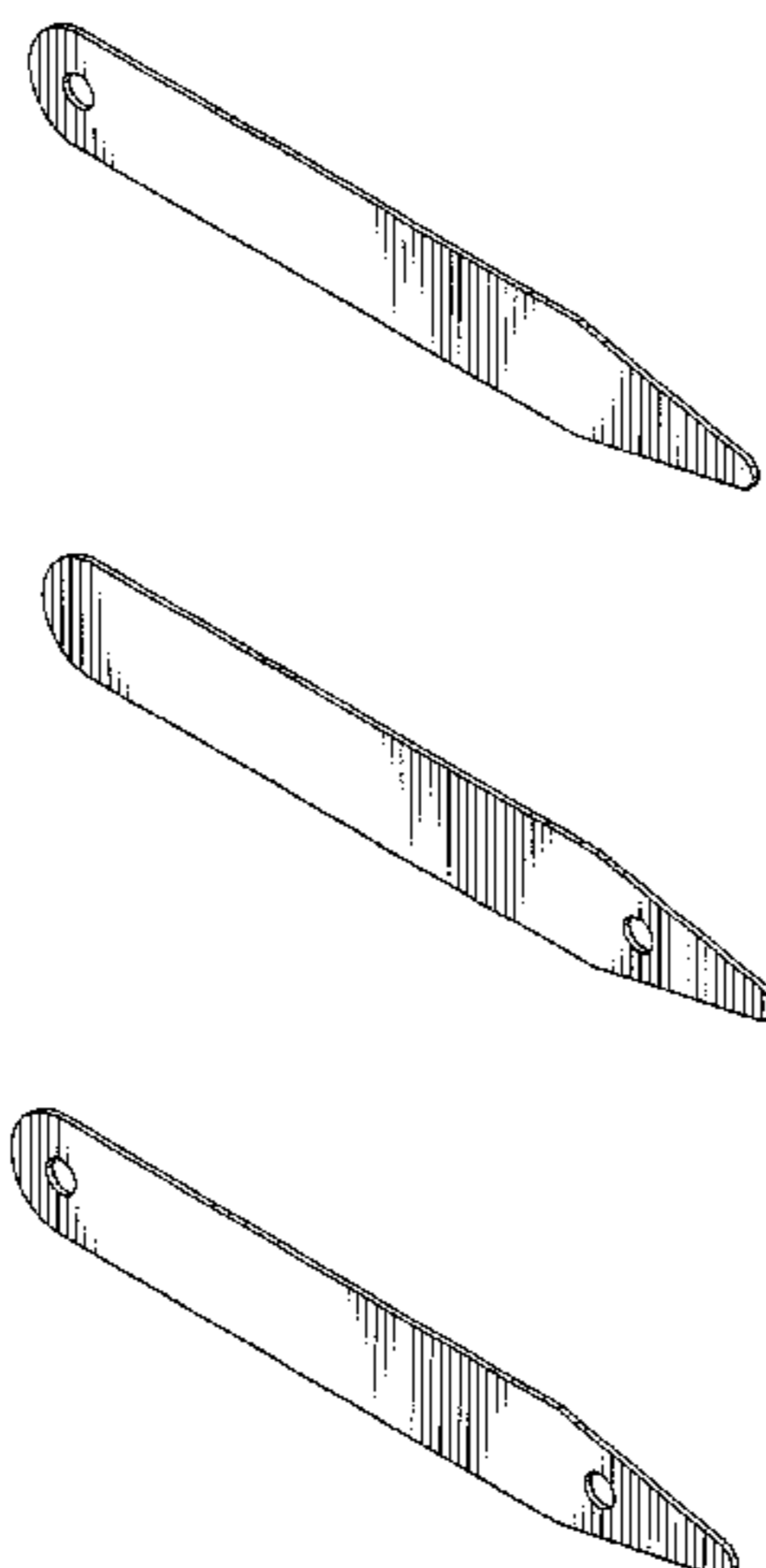
FIG. 18 is a rear elevation view of FIG. 15;

FIG. 19 is a front elevation view of FIG. 15;

FIG. 20 is a left elevation view of FIG. 15; and,

FIG. 21 is a right elevation view of FIG. 15.

**1 Claim, 6 Drawing Sheets**



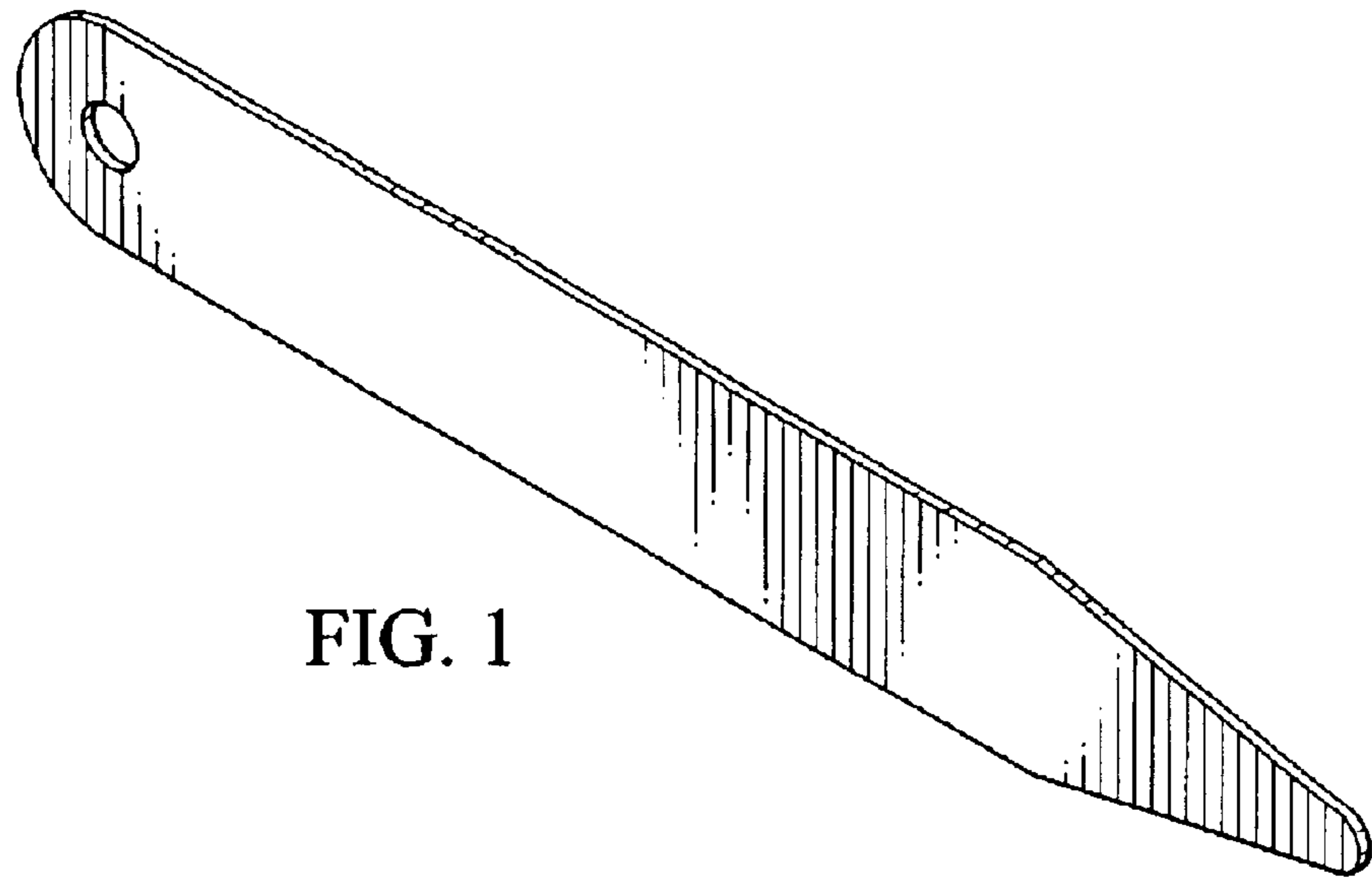


FIG. 1

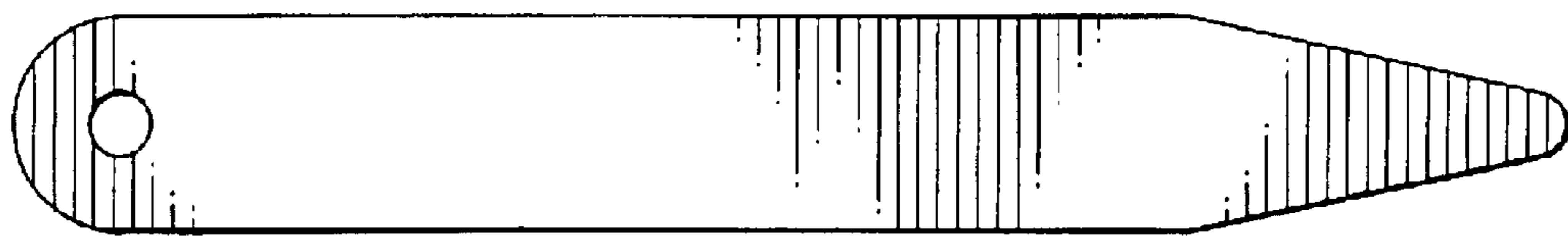


FIG. 2



FIG. 3



FIG. 4



FIG. 5

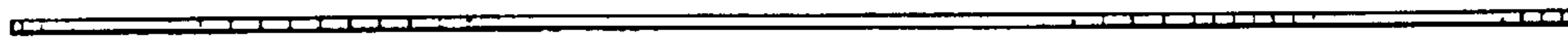


FIG. 6

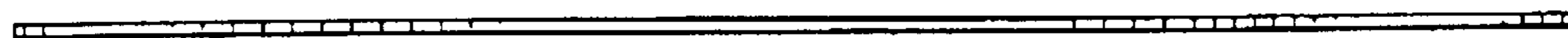


FIG. 7

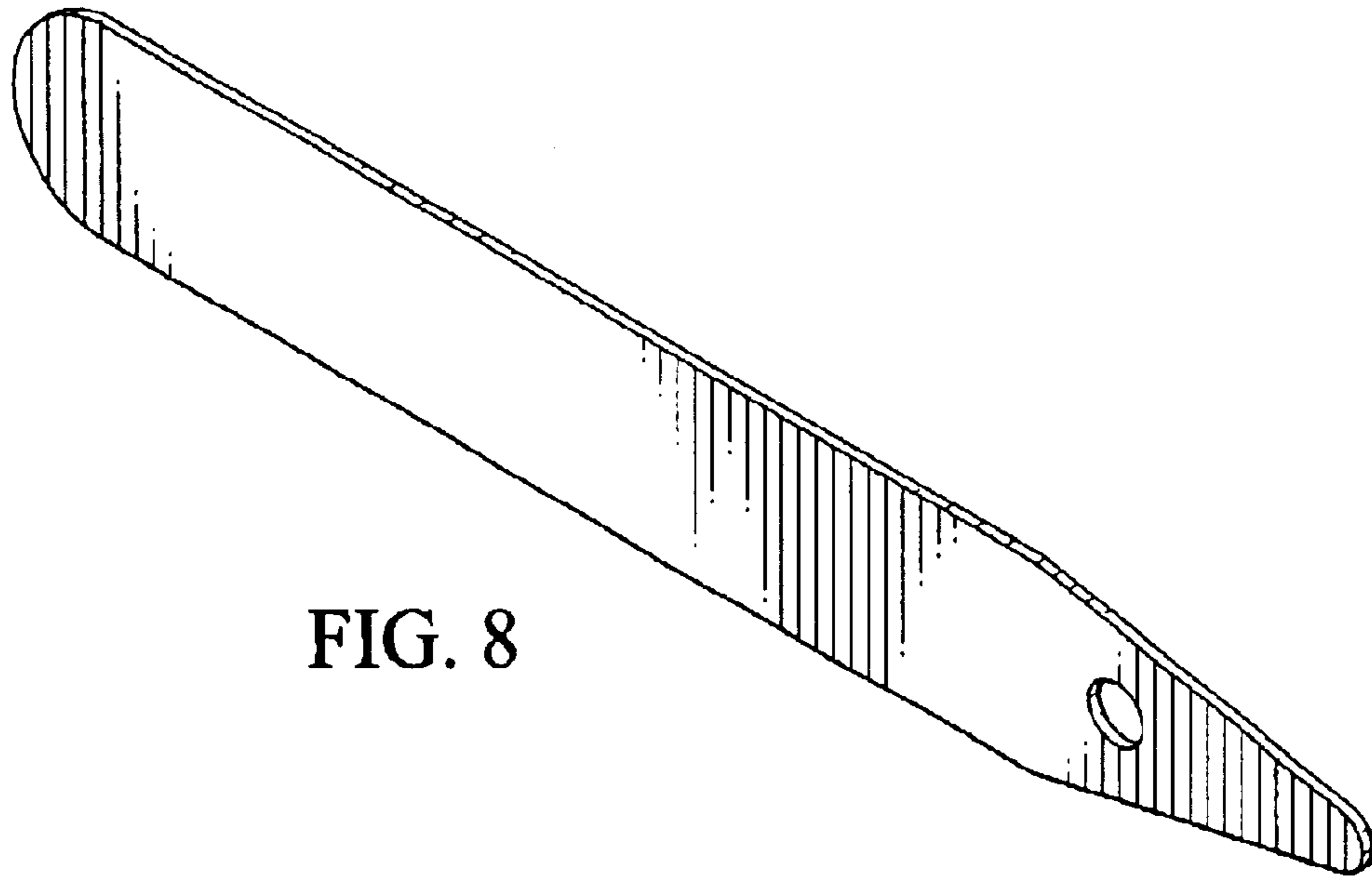


FIG. 8

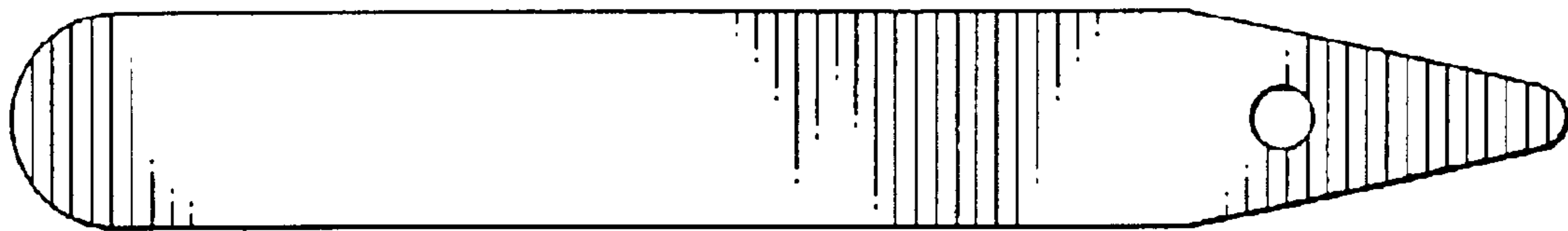


FIG. 9



FIG. 10



FIG. 11



FIG. 12



FIG. 13



FIG. 14

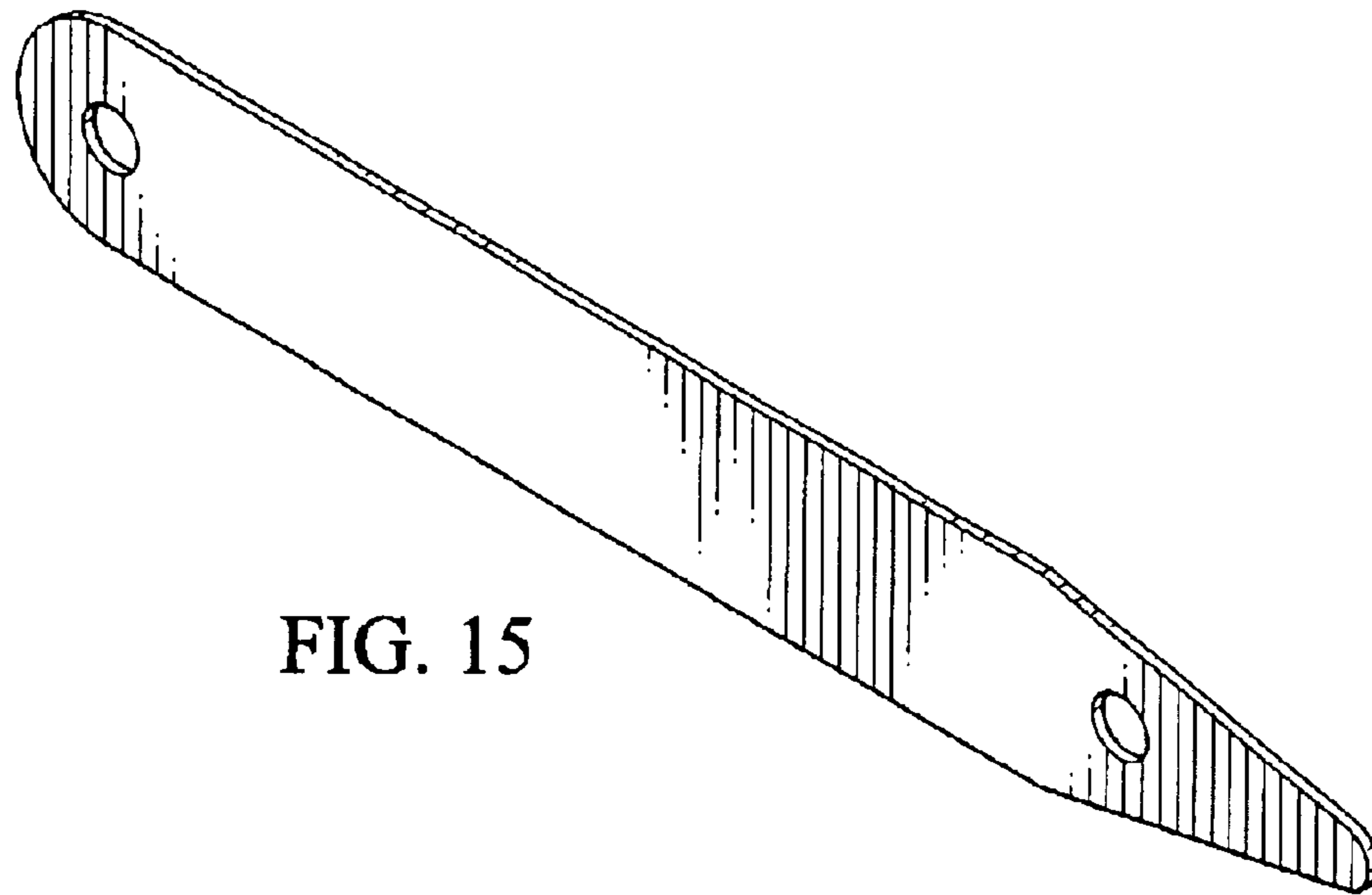


FIG. 15

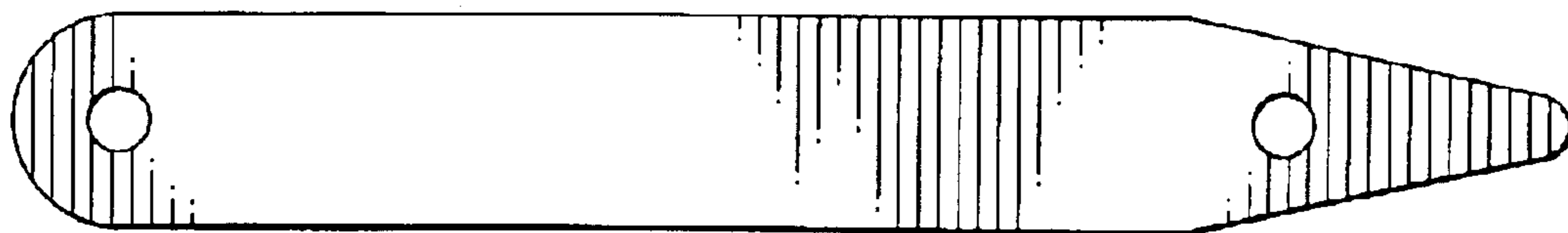


FIG. 16

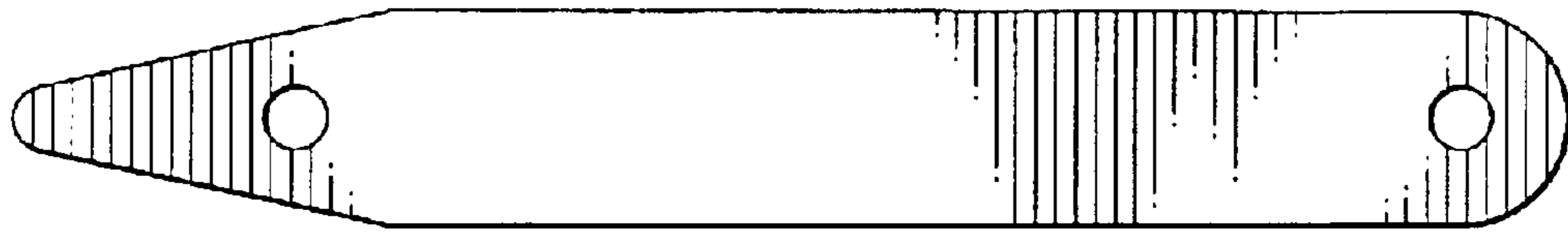


FIG. 17



FIG. 18



FIG. 19



FIG. 20



FIG. 21