

US00D507204S

(12) **United States Design Patent**
Chang

(10) **Patent No.:** **US D507,204 S**
(45) **Date of Patent:** **** Jul. 12, 2005**

(54) **GREEN SPROUT GROWING TRAY**
(75) Inventor: **George C. M. Chang**, Dallas, TX (US)
(73) Assignee: **Green Valley Food Corp.**, Dallas, TX (US)
(**) Term: **14 Years**

D259,777 S * 7/1981 Ehrreich D11/155
4,349,124 A * 9/1982 Faller 229/122.32
D266,914 S * 11/1982 Miller D11/155
5,581,936 A * 12/1996 Belgiorno 47/65.5
D414,443 S * 9/1999 Nobile D11/156
D424,893 S * 5/2000 Goslin et al. D8/1
D493,670 S * 8/2004 De Neubourg D7/554.3

* cited by examiner

(21) Appl. No.: **29/197,900**
(22) Filed: **Jan. 21, 2004**

Primary Examiner—Joel A. Sincavage
Assistant Examiner—Elizabeth Albert
(74) *Attorney, Agent, or Firm*—Morgan & Finnegan, LLP

(51) **LOC (8) Cl.** **11-02**
(52) **U.S. Cl.** **D11/156**
(58) **Field of Search** D11/143, 144,
D11/145, 146, 147, 148, 149, 150, 151,
152, 153, 154, 155, 156; 47/41.01, 65.5,
65.7, 66.1, 66.6, 72, 73, 85, 86, 87; 206/423,
557; 229/406, 407; D7/554.3; D34/38

(57) **CLAIM**

The ornamental design for green sprout growing tray, as shown and described.

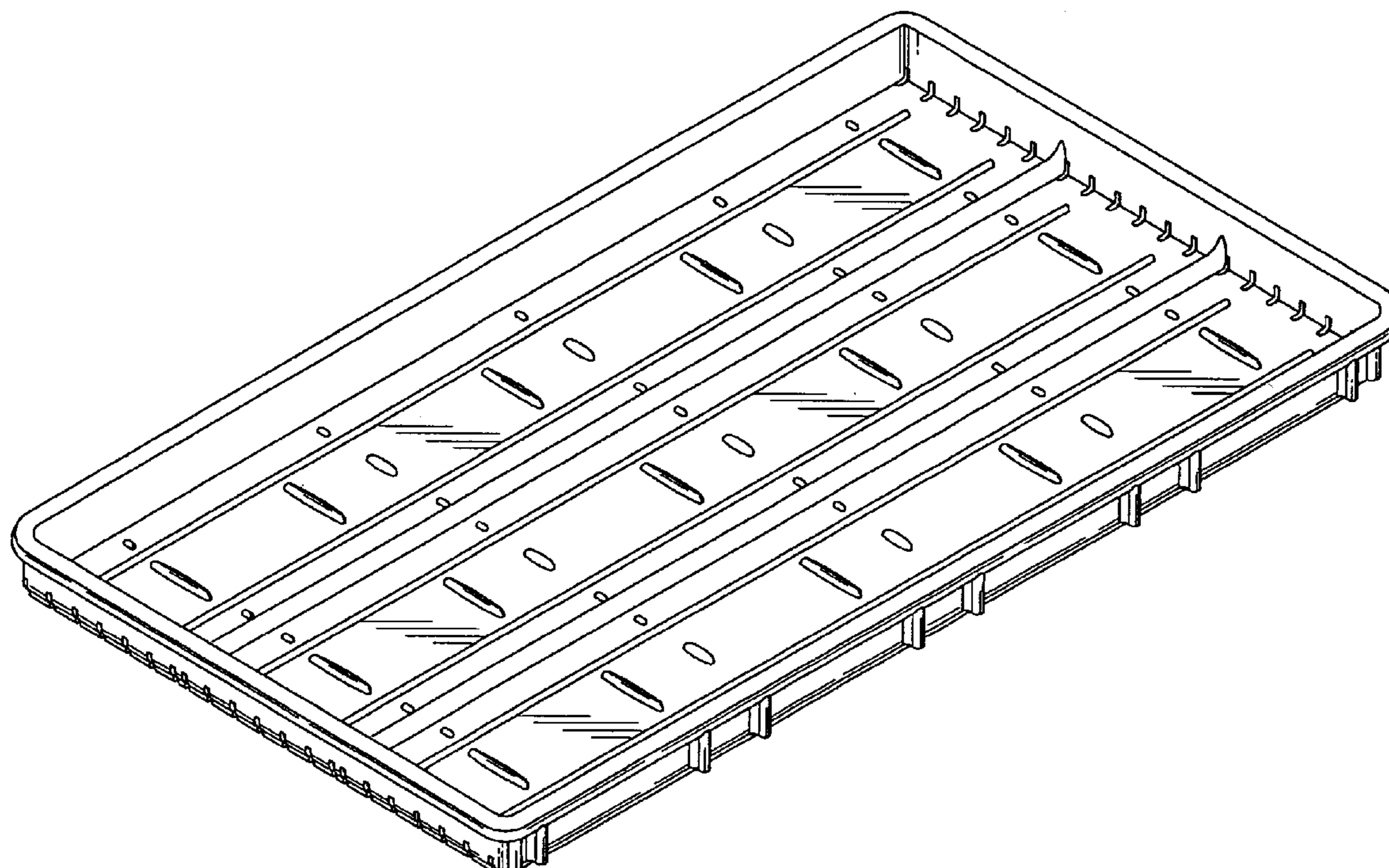
DESCRIPTION

FIG. 1 is a perspective view of green sprout growing tray showing my new design;
FIG. 2 is a front elevational view thereof;
FIG. 3 is a rear elevational view thereof;
FIG. 4 is a left side elevational view thereof;
FIG. 5 is a right side elevational view thereof;
FIG. 6 is a top plan view thereof; and,
FIG. 7 is a bottom plan view thereof.

(56) **References Cited**
U.S. PATENT DOCUMENTS

1,983,806 A * 12/1934 Norman 47/18
3,009,291 A * 11/1961 Blackmore 47/87
D210,750 S * 4/1968 Paxton D11/155
D212,437 S * 10/1968 Paxton D11/156
D218,629 S * 9/1970 Hasselbach D11/156
3,751,852 A * 8/1973 Schrepper 47/87

1 Claim, 5 Drawing Sheets



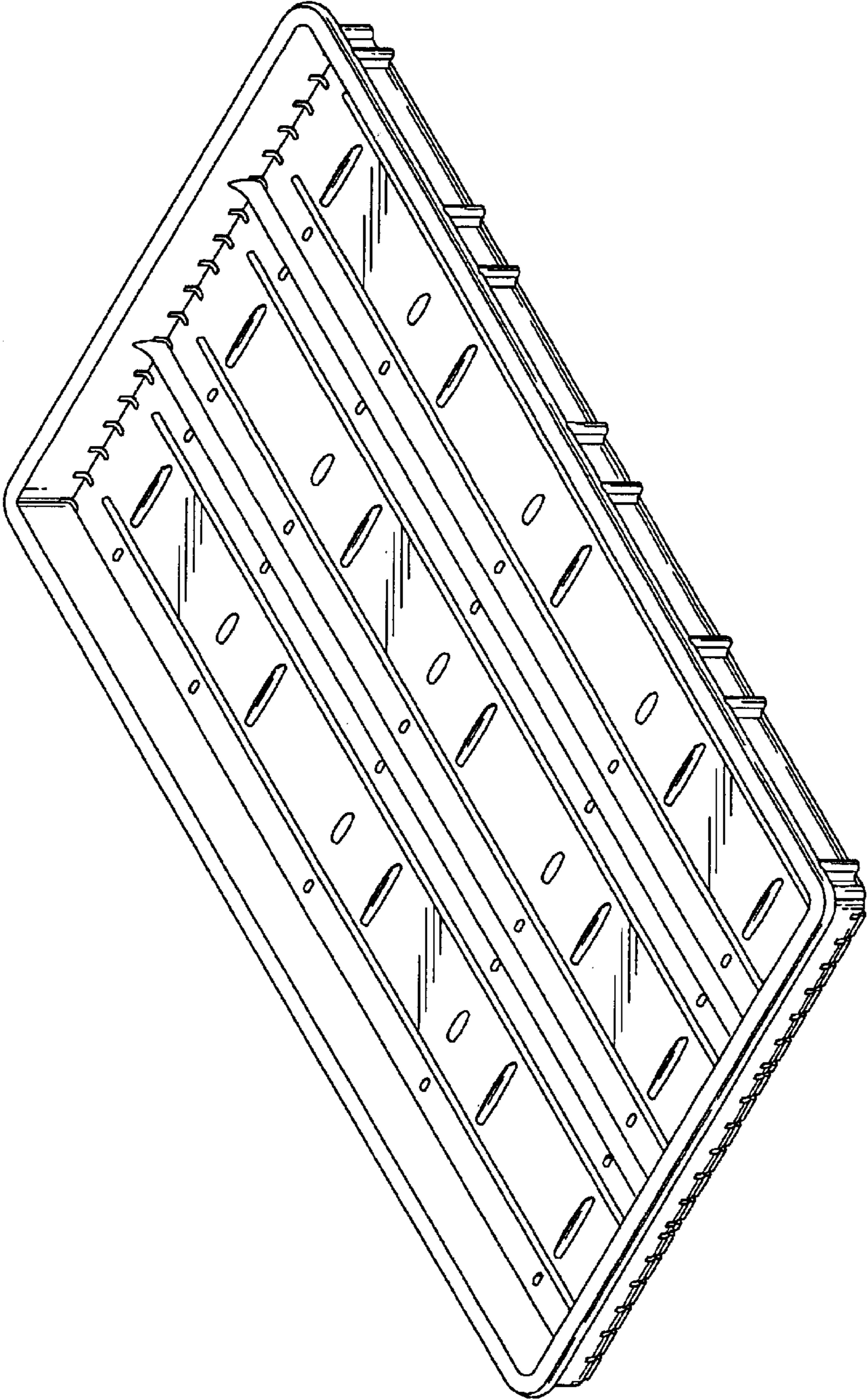


FIG. 1

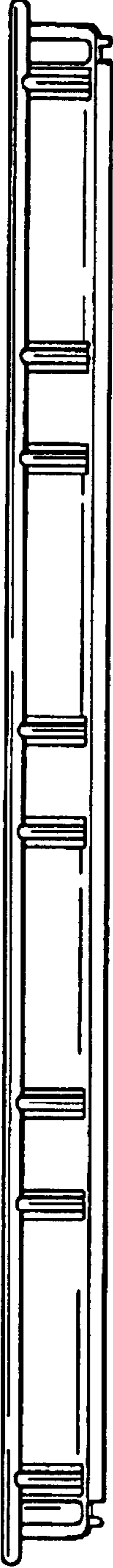


FIG. 2

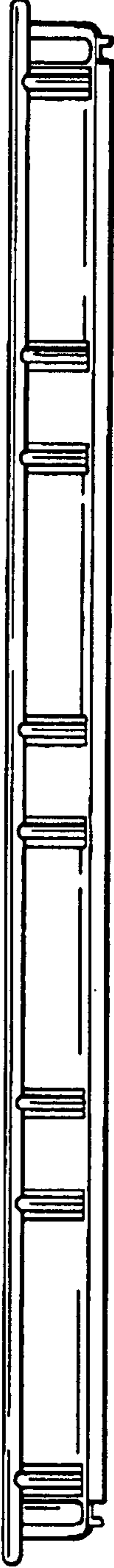


FIG. 3

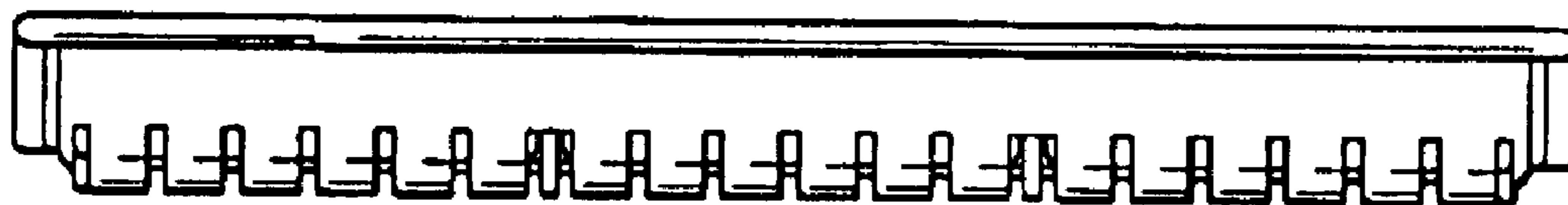


FIG. 4

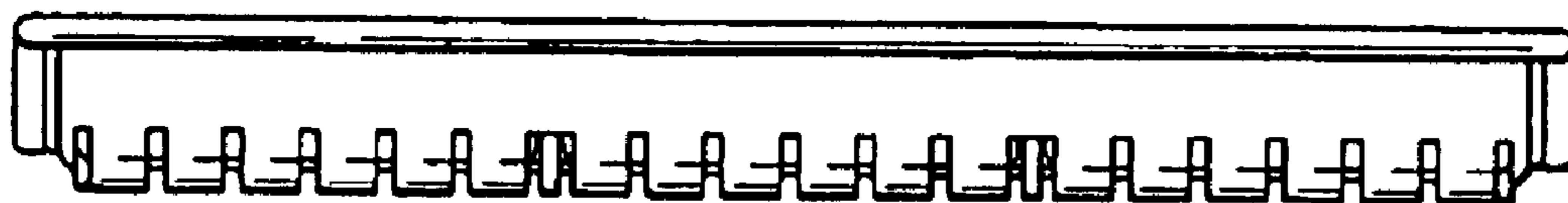


FIG. 5

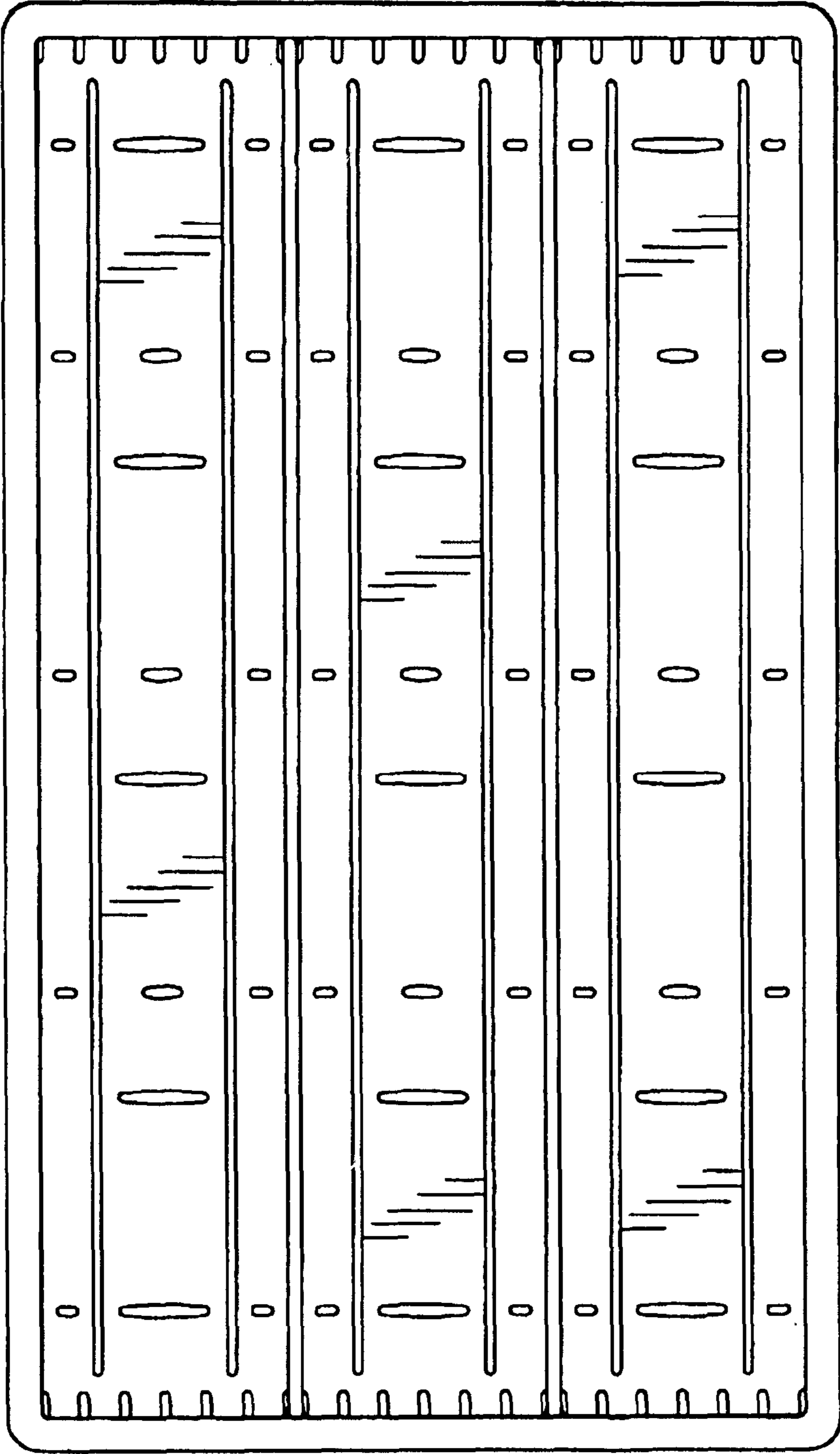


FIG. 6

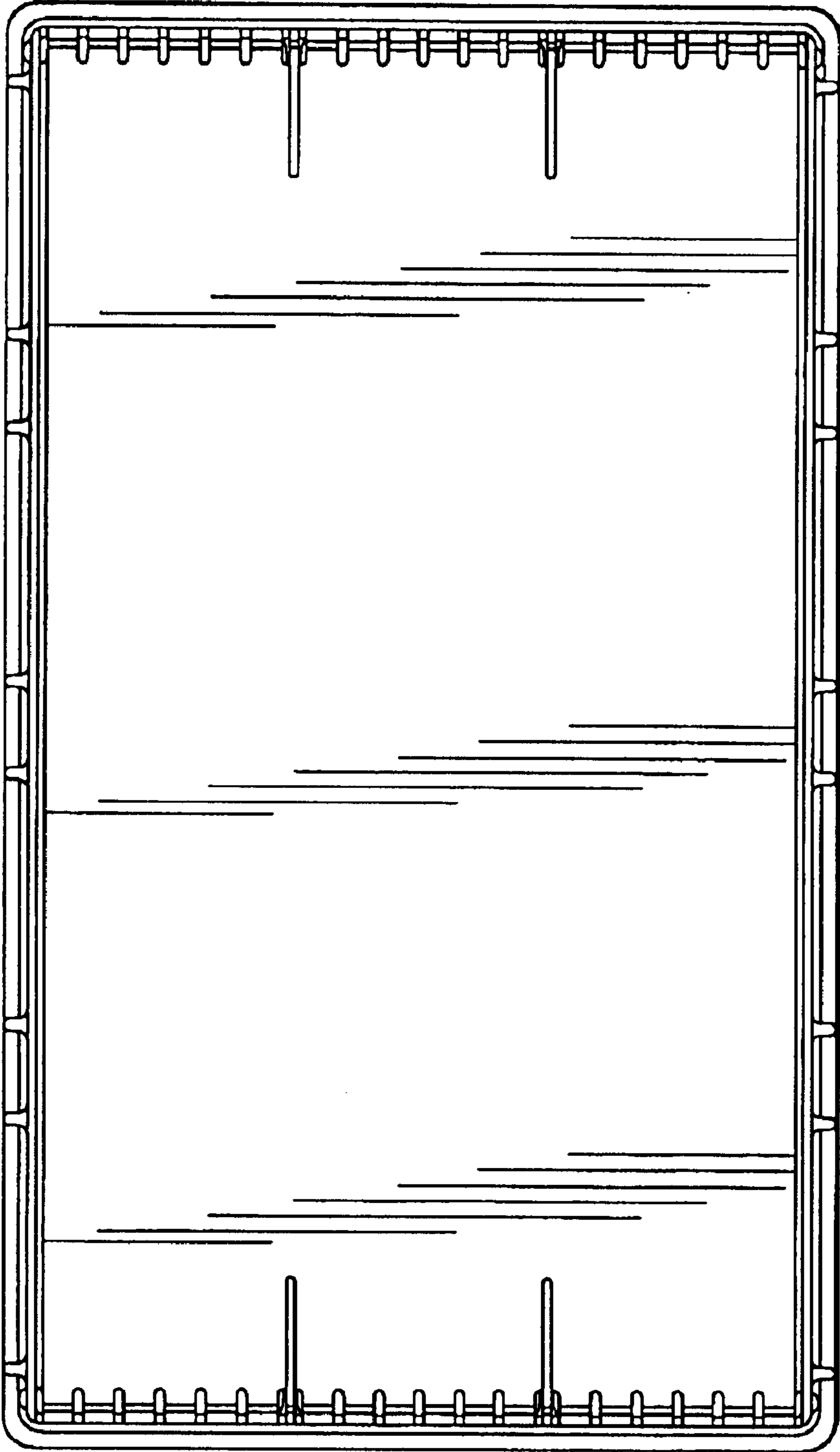


FIG. 7