

US00D507200S

(12) **United States Design Patent** (10) **Patent No.:** **US D507,200 S**
Adrianson et al. (45) **Date of Patent:** **** Jul. 12, 2005**

- (54) **FINGERPRINT SENSING SECURITY DEVICE**
- (75) Inventors: **Alan Ashley Adrianson**, Taylor, MI (US); **Leslie Kirk Walters**, Shelby Township, MI (US); **David A. LaVoy**, Southgate, MI (US); **David Burke**, Taylor, MI (US)
- (73) Assignee: **Masco Corporation**, Taylor, MI (US)
- (**) Term: **14 Years**
- (21) Appl. No.: **29/197,255**
- (22) Filed: **Jan. 13, 2004**
- (51) **LOC (8) Cl.** **10-05**
- (52) **U.S. Cl.** **D10/104**
- (58) **Field of Search** D10/104, 46; D14/105, D14/384, 392; 382/124, 125, 126, 312; 438/48, 98

- D429,725 S * 8/2000 Morimiya D14/384
D438,207 S * 2/2001 Baker D14/392
6,374,652 B1 * 4/2002 Hwang 70/277
D459,670 S * 7/2002 Bergstrom D10/104
D466,119 S * 11/2002 Funahashi et al. D14/384
D466,428 S * 12/2002 Bush D10/104
D478,905 S * 8/2003 Byrne et al. D14/384
D487,266 S * 3/2004 Morimiya D14/384
D497,356 S * 10/2004 Jerome D14/197
2003/0103686 A1 * 6/2003 Ogura 382/321
2004/0096087 A1 * 5/2004 Funahashi 382/124
2004/0136575 A1 * 7/2004 Hwang 382/124
2004/0184641 A1 * 9/2004 Nagasaka et al. 382/124
2004/0240713 A1 * 12/2004 Hata 382/124

* cited by examiner

Primary Examiner—Joel A. Sincavage
Assistant Examiner—Austin Murphy
(74) *Attorney, Agent, or Firm*—Edgar A. Zarins; Lloyd D. Doigan

(57) **CLAIM**

The ornamental design for a fingerprint sensing security device, as shown and described.

(56) **References Cited**

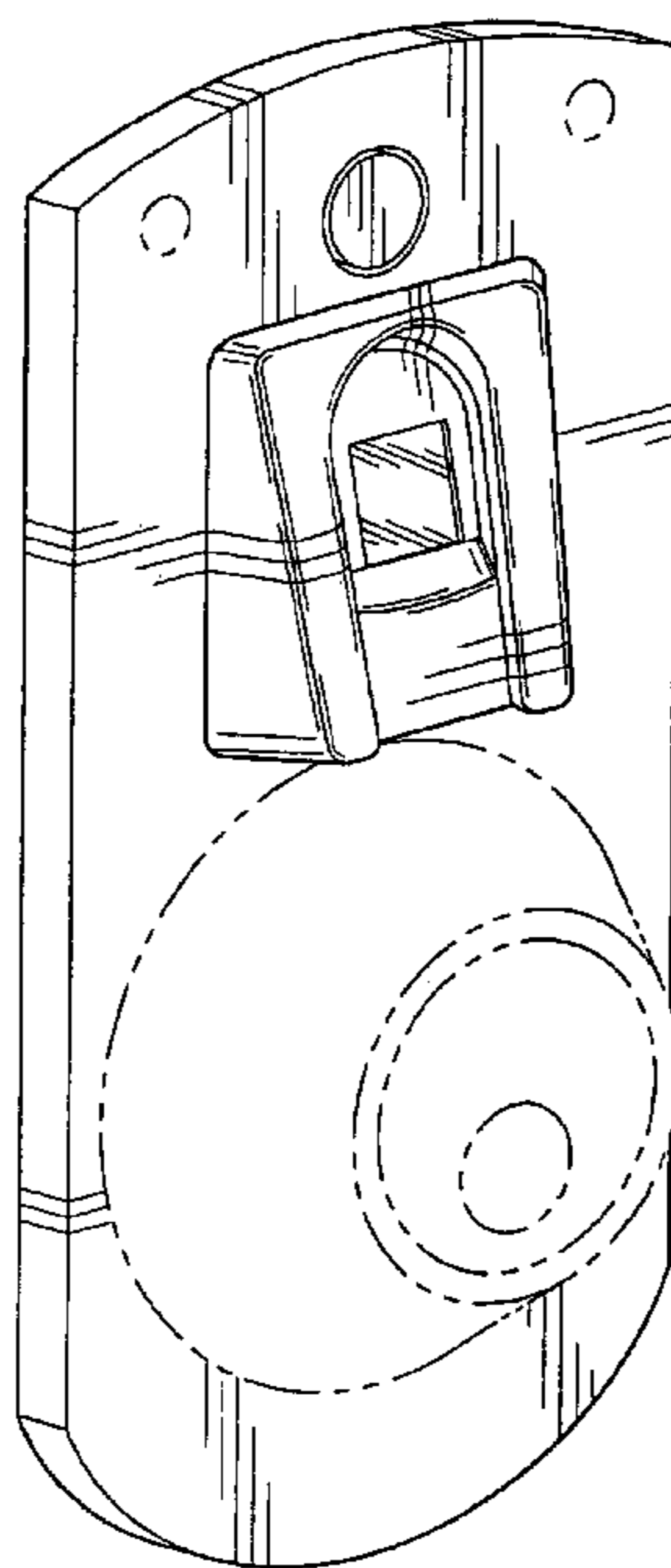
U.S. PATENT DOCUMENTS

- D308,863 S * 6/1990 Soren et al. D14/384
D317,135 S * 5/1991 Novack D10/104
D324,344 S * 3/1992 Collister D10/46
D330,907 S * 11/1992 Burke D18/7
D354,745 S * 1/1995 Lynn D14/384
D382,552 S * 8/1997 Tomlinson, Jr. D14/384
D382,862 S * 8/1997 Nakayama et al. D14/384
D393,837 S * 4/1998 Umetsu et al. D14/384
D397,683 S * 9/1998 Sakamoto et al. D14/384
5,920,642 A * 7/1999 Merjanian 382/126
D419,978 S * 2/2000 Mah D14/432
D425,881 S * 5/2000 Borza D14/384
D428,412 S * 7/2000 Davis D14/341

DESCRIPTION

FIG. 1 is a perspective view of a fingerprint sensing security device showing our new design;
FIG. 2 is a front elevational view thereof;
FIG. 3 is a left side view thereof, the opposite side being a mirror image of the side shown;
FIG. 4 is a top plan view thereof; and,
FIG. 5 is a bottom plan view thereof.
The broken line showing of FIGS. 1–5 is for illustrative purposes only and forms no part of the claimed design.

1 Claim, 2 Drawing Sheets



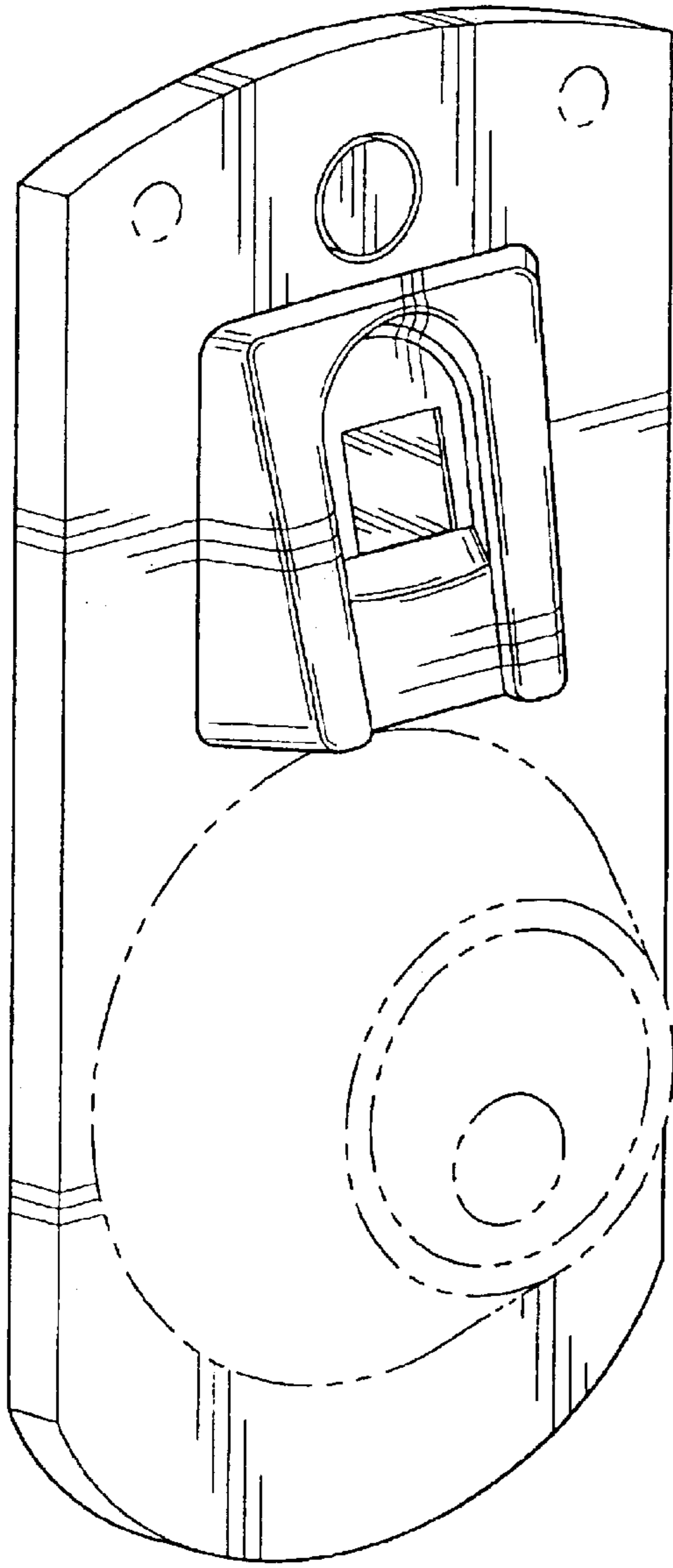
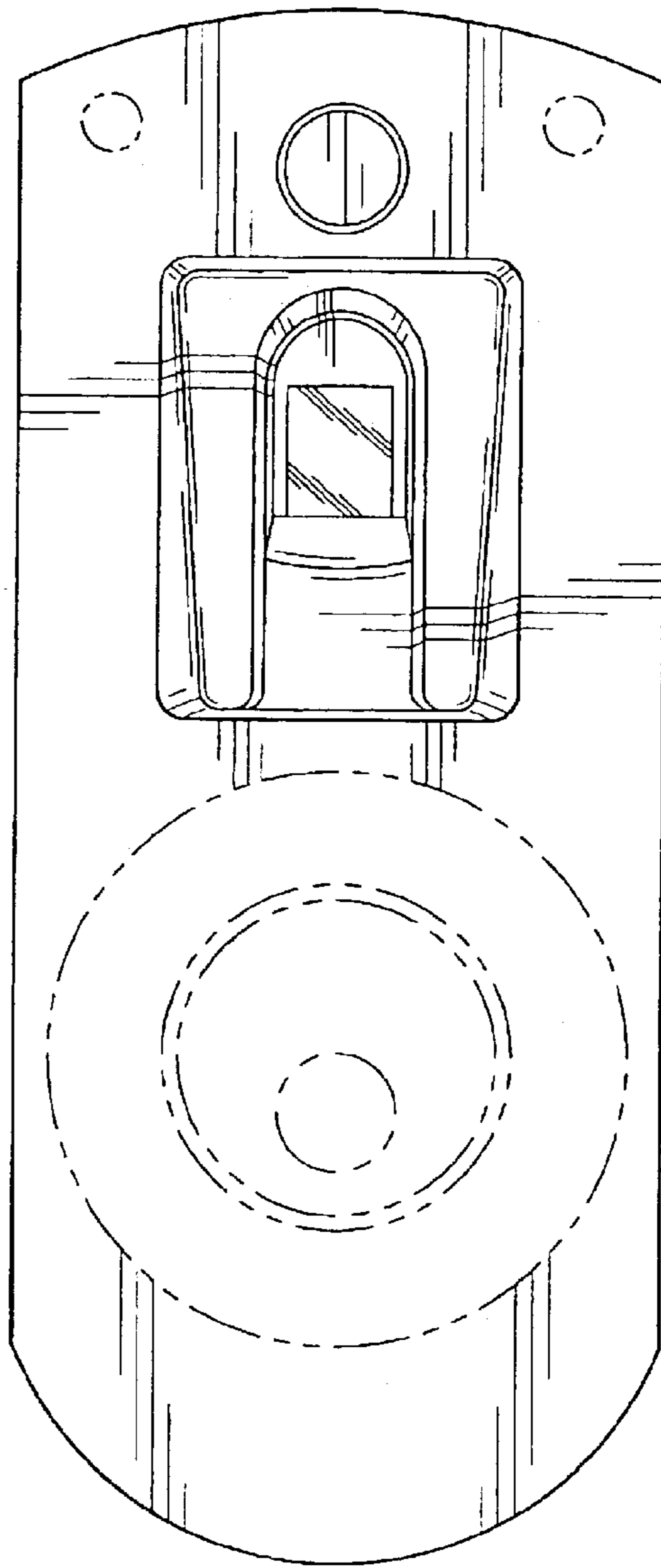


Fig-2

Fig-1



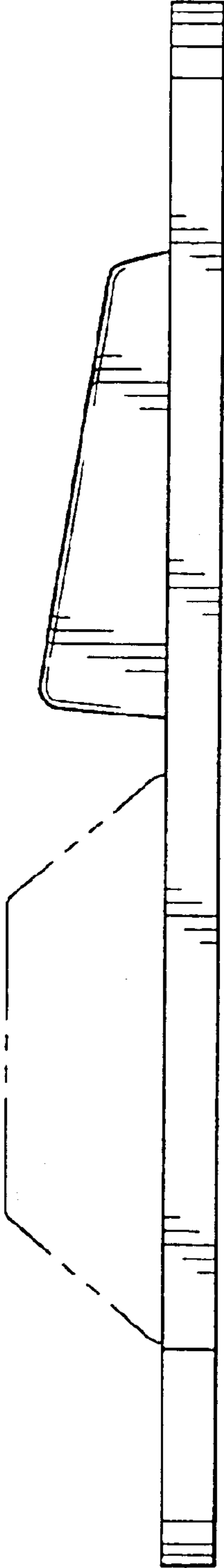


Fig-3

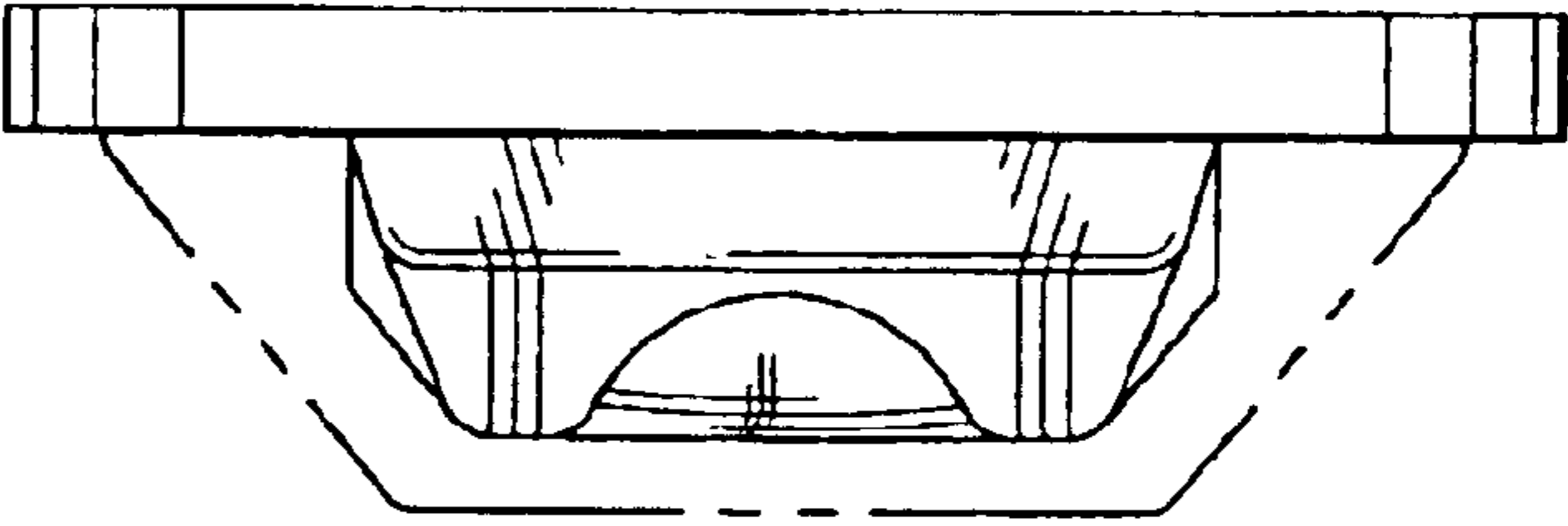


Fig-4

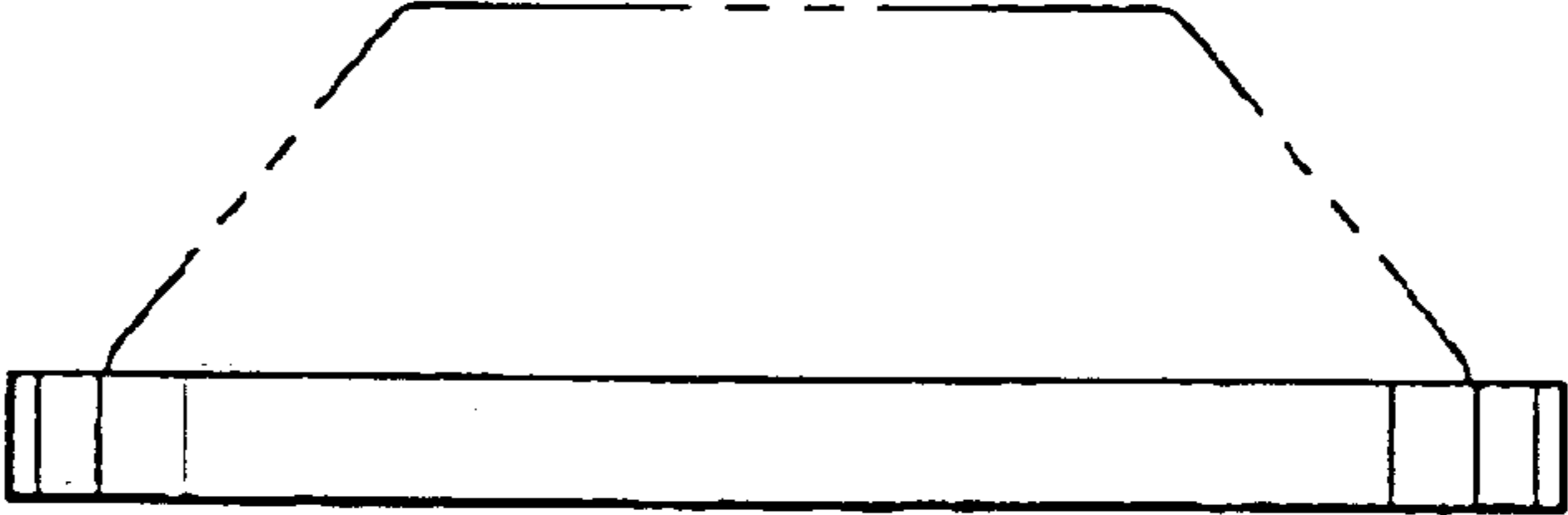


Fig-5