

US00D507195S

(12) **United States Design Patent**
Kondo et al.

(10) **Patent No.:** **US D507,195 S**
(45) **Date of Patent:** **** Jul. 12, 2005**

(54) **TAPE MEASURE**

6,701,636 B2 * 3/2004 Scarborough 33/768

(75) Inventors: **Katsuyuki Kondo**, Otsu (JP); **Tsutomu Usami**, Moriyama (JP)

* cited by examiner

(73) Assignee: **KDS Corporation**, Kyoto (JP)

Primary Examiner—Antoine D. Davis

(**) Term: **14 Years**

(74) *Attorney, Agent, or Firm*—Birch, Stewart, Kolasch & Birch, LLP

(21) Appl. No.: **29/200,131**

(57) **CLAIM**

(22) Filed: **Feb. 25, 2004**

The ornamental design for a tape measure, as shown.

(30) **Foreign Application Priority Data**

DESCRIPTION

Dec. 15, 2003 (JP) 2003-037025

FIG. 1 is a perspective view of a tape measure showing our new design;

(51) **LOC (8) Cl.** **10-04**

FIG. 2 is a front view thereof;

(52) **U.S. Cl.** **D10/72**

FIG. 3 is a rear view thereof;

(58) **Field of Search** D10/72; 33/755-770

FIG. 4 is a top plan view thereof;

(56) **References Cited**

FIG. 5 is a bottom plan view thereof;

U.S. PATENT DOCUMENTS

FIG. 6 is a right side view thereof; and,

D458,163 S * 6/2002 Kang D10/72

FIG. 7 is a left side view thereof.

1 Claim, 4 Drawing Sheets

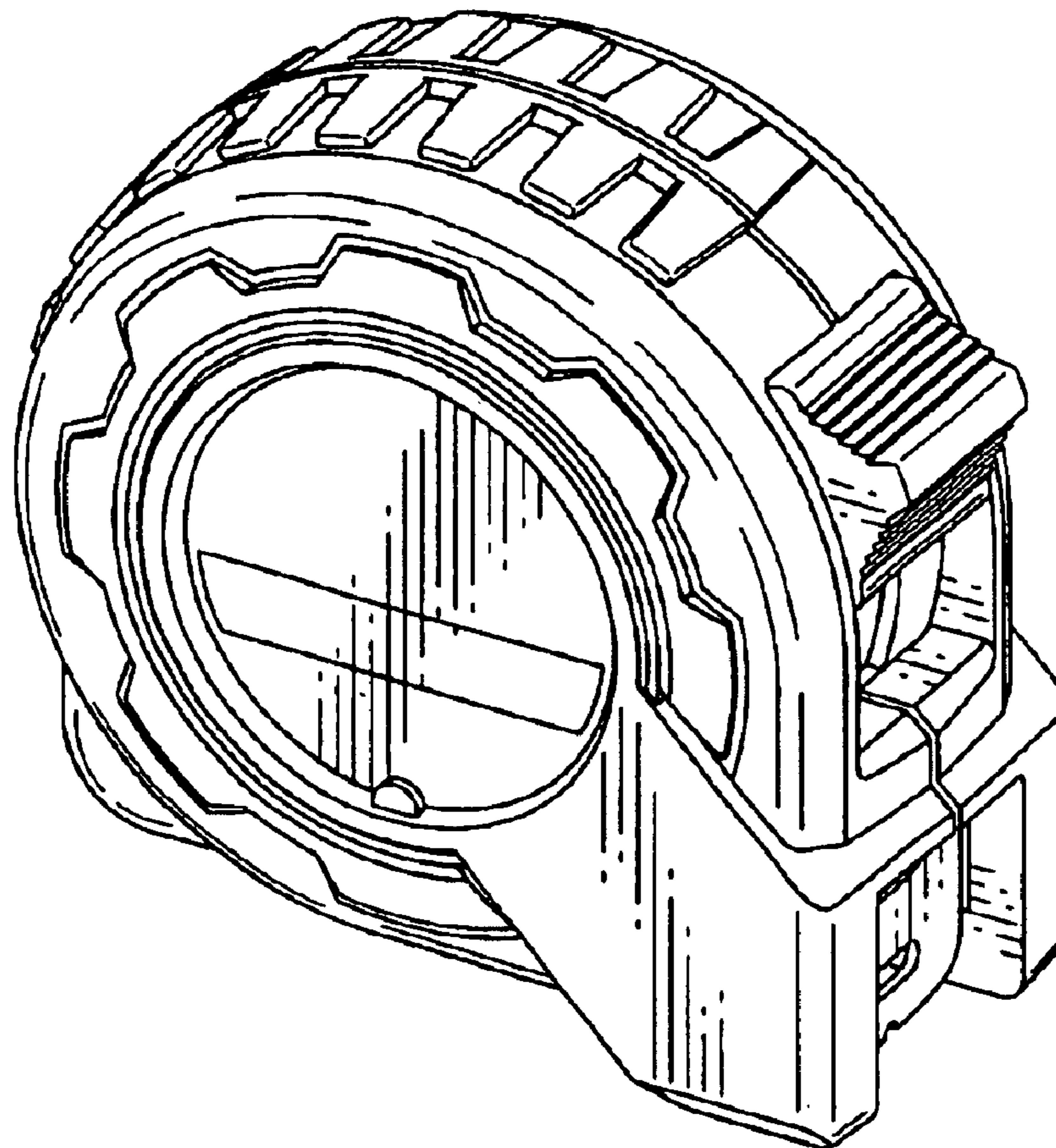


FIG. 1

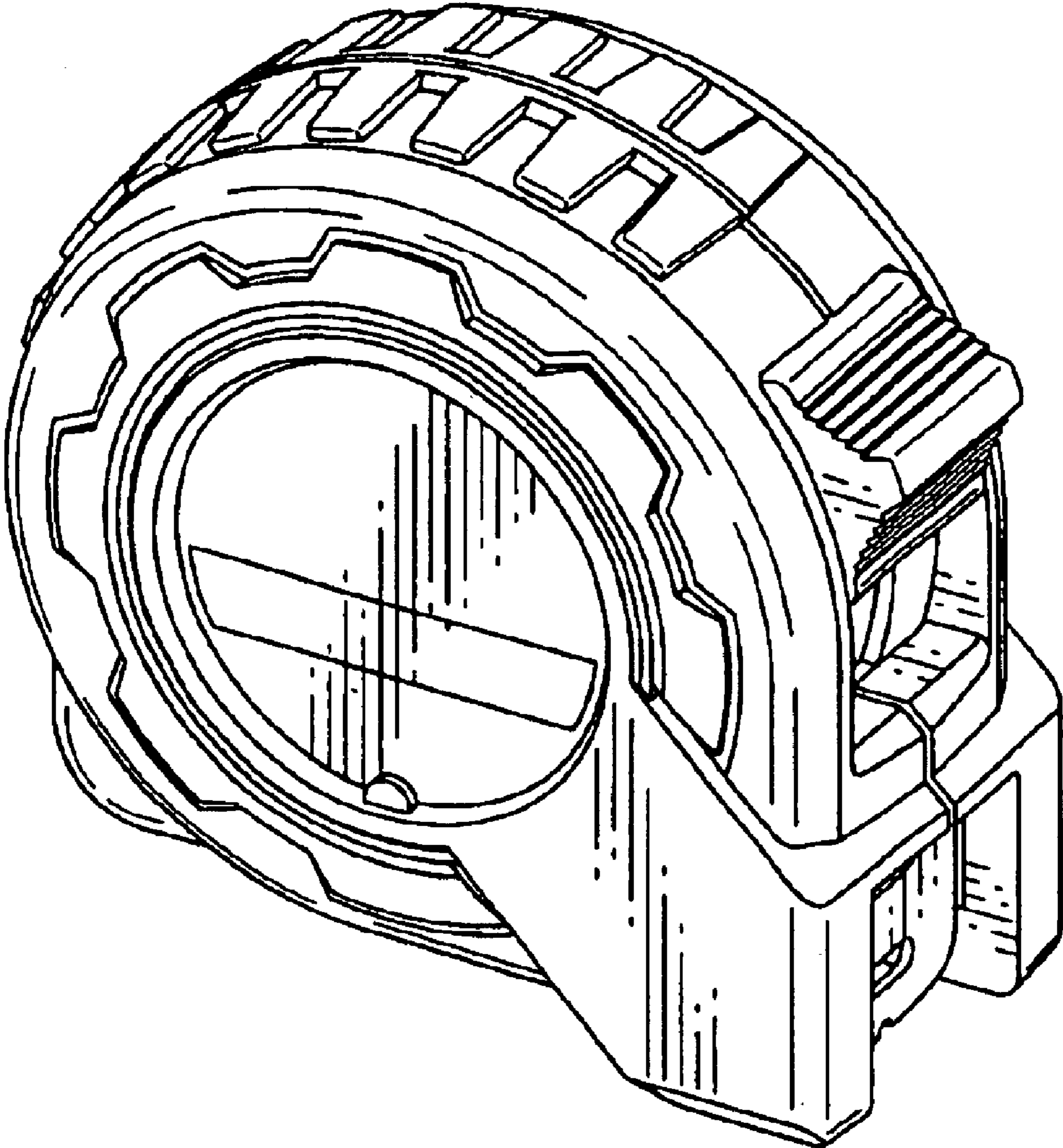


FIG. 2

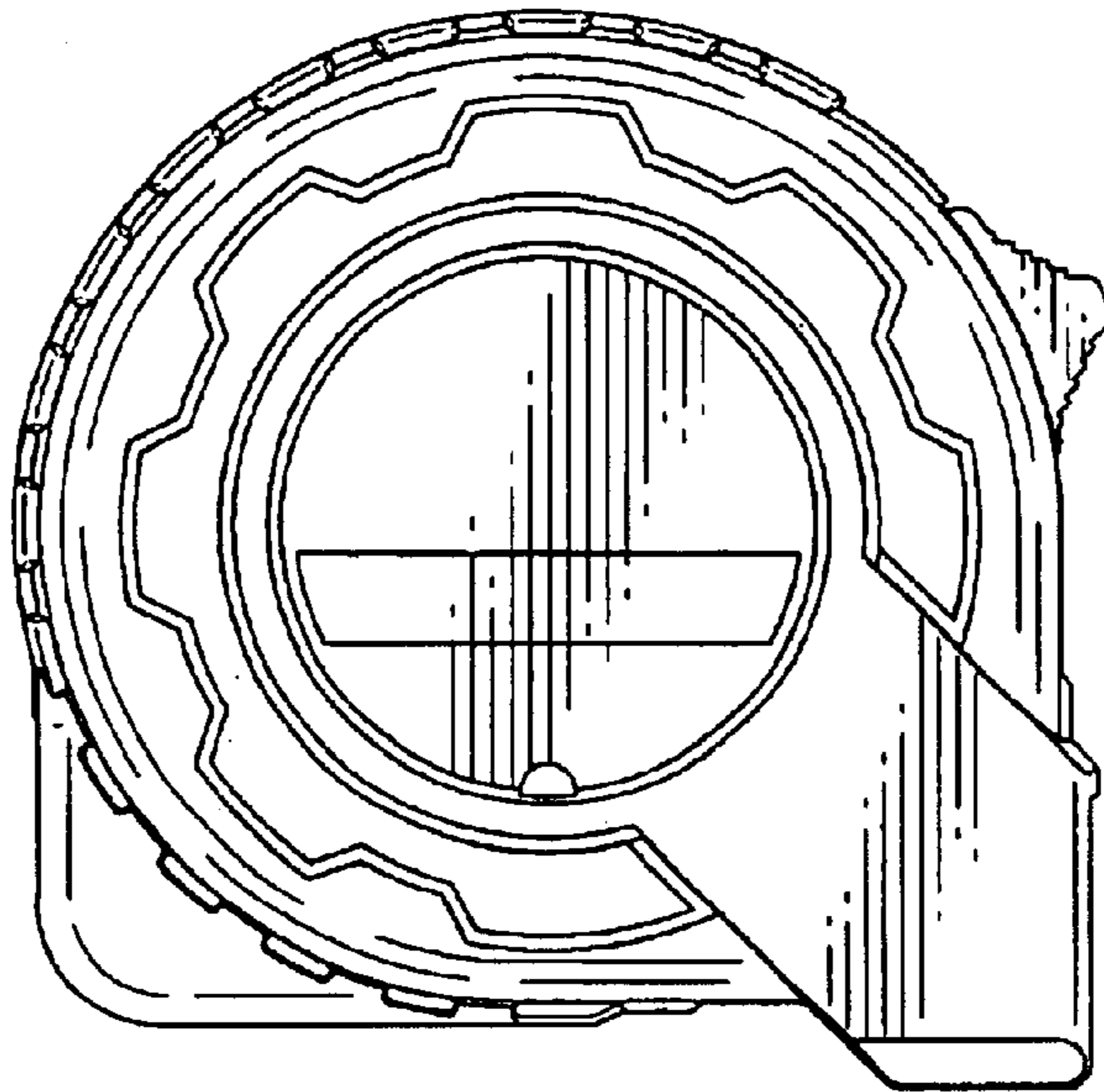


FIG. 3

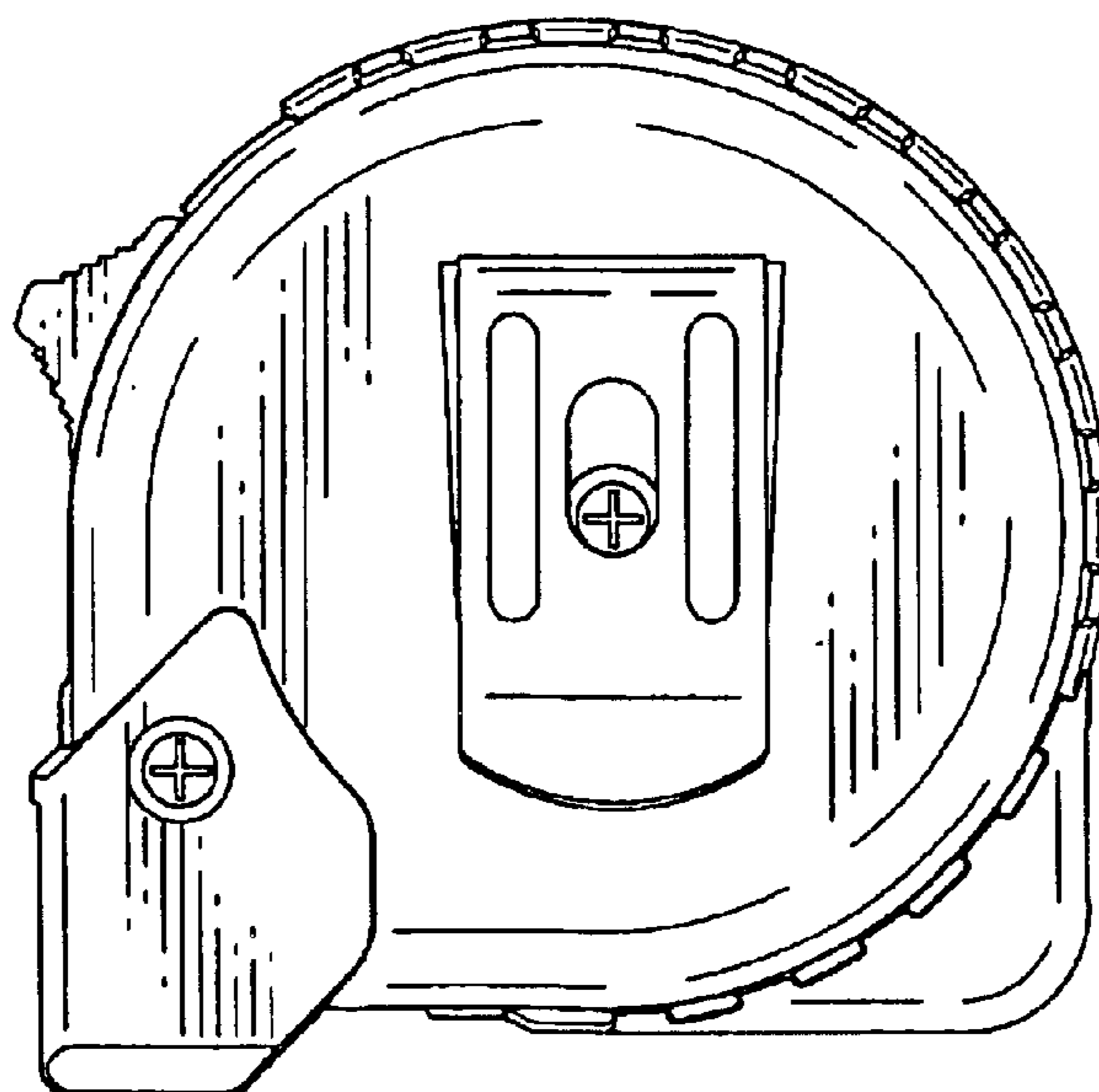


FIG. 4

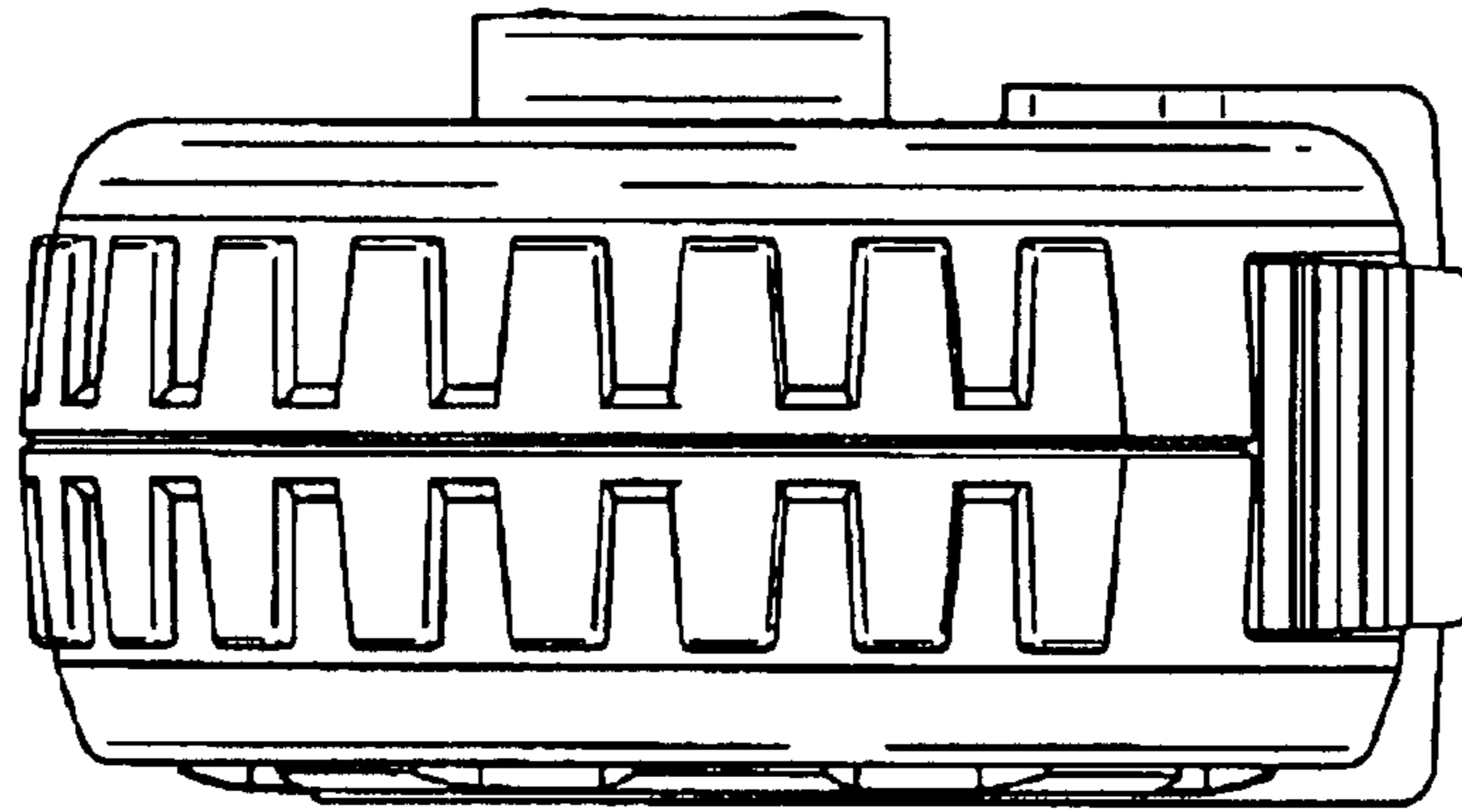


FIG. 5

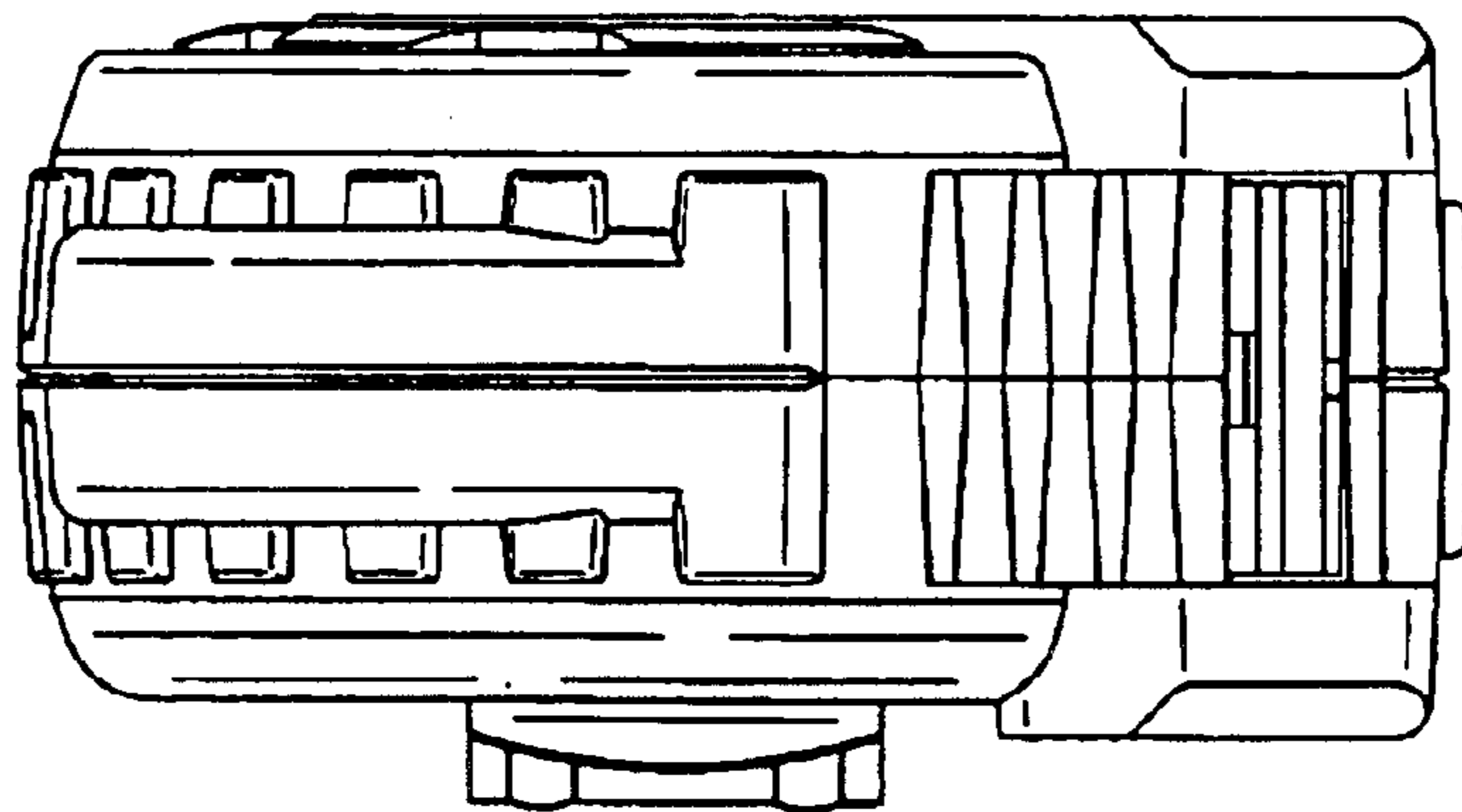


FIG. 6

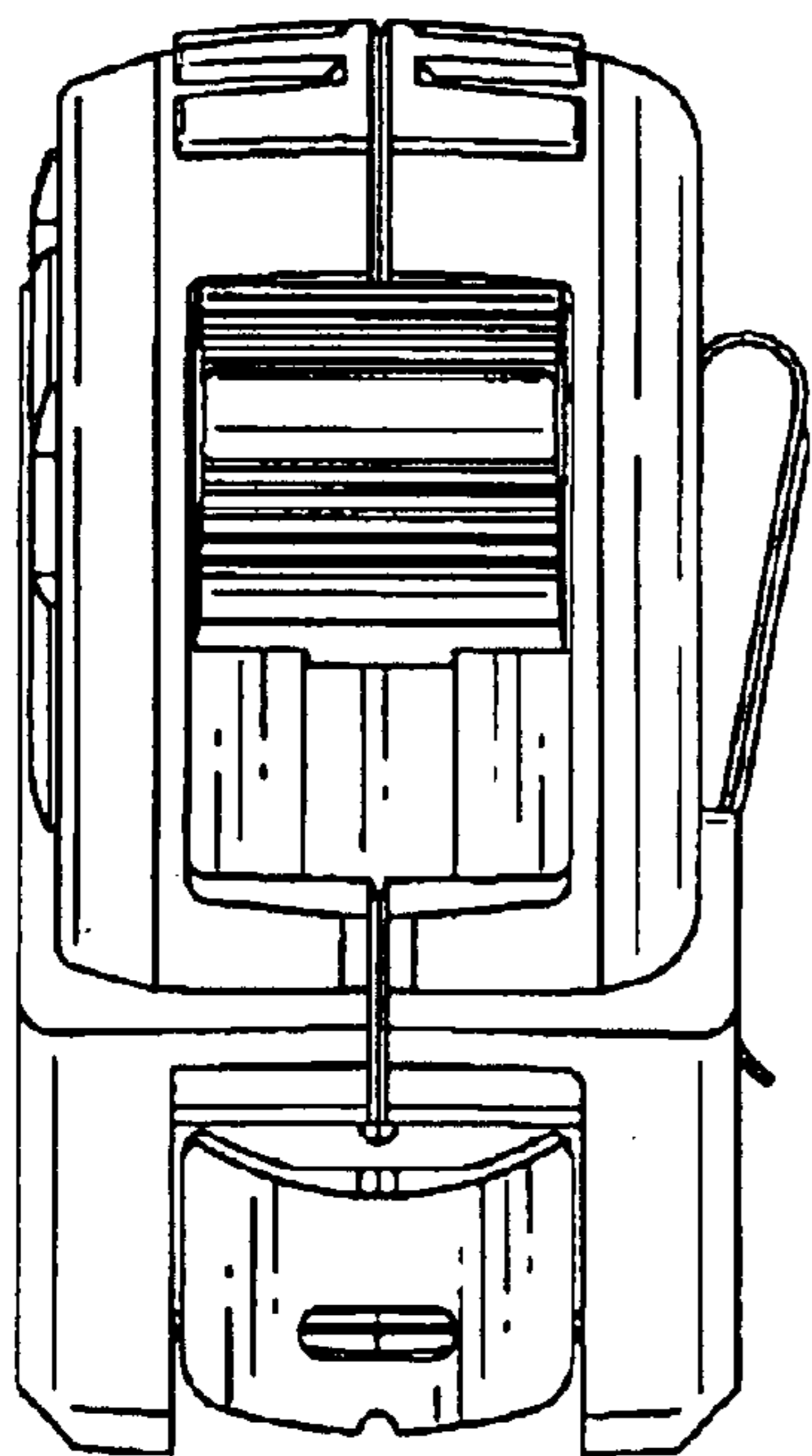


FIG. 7

