



US00D507193S

(12) **United States Design Patent**
Owaki et al.

(10) **Patent No.:** **US D507,193 S**

(45) **Date of Patent:** **** Jul. 12, 2005**

(54) **CAR NAVIGATION**

D335,822 S * 5/1993 Yamamuro et al. D10/65
D487,024 S * 2/2004 Hsu Li D10/65

(75) Inventors: **Tsugumichi Owaki**, Musashino (JP);
Toshiyuki Moriya, Tokorozawa (JP);
Takashi Yoshimaru, Kokubunji (JP);
Toshio Hamauzu, Hitachinaka (JP);
Hisanobu Murazumi, Hitachinaka (JP)

* cited by examiner

Primary Examiner—Antoine D. Davis
(74) *Attorney, Agent, or Firm*—Antonelli, Terry, Stout & Kraus, LLP

(73) Assignee: **Xanavi Informatics Corporation**,
Zama (JP)

(57) **CLAIM**

(**) Term: **14 Years**

The ornamental design for a car navigation, as shown.

(21) Appl. No.: **29/206,843**

DESCRIPTION

(22) Filed: **Jun. 4, 2004**

(30) **Foreign Application Priority Data**

Dec. 5, 2003 (JP) 2003-036161

(51) **LOC (8) Cl.** **10-04**

(52) **U.S. Cl.** **D10/65**

(58) **Field of Search** D10/65; 342/357.06–357.09,
342/357.1, 357.13; 343/702; 701/206–209,
213–214

FIG. 1 is a front, top and right side perspective view of a car navigation showing our new design;

FIG. 2 is a front elevational view thereof;

FIG. 3 is a rear elevational view thereof;

FIG. 4 is a right side elevational view thereof;

FIG. 5 is a left side elevational view thereof;

FIG. 6 is a top plan elevational view thereof; and,

FIG. 7 is a bottom plan elevational view thereof.

(56) **References Cited**

U.S. PATENT DOCUMENTS

D329,988 S * 10/1992 Burrell et al. D10/65

1 Claim, 5 Drawing Sheets

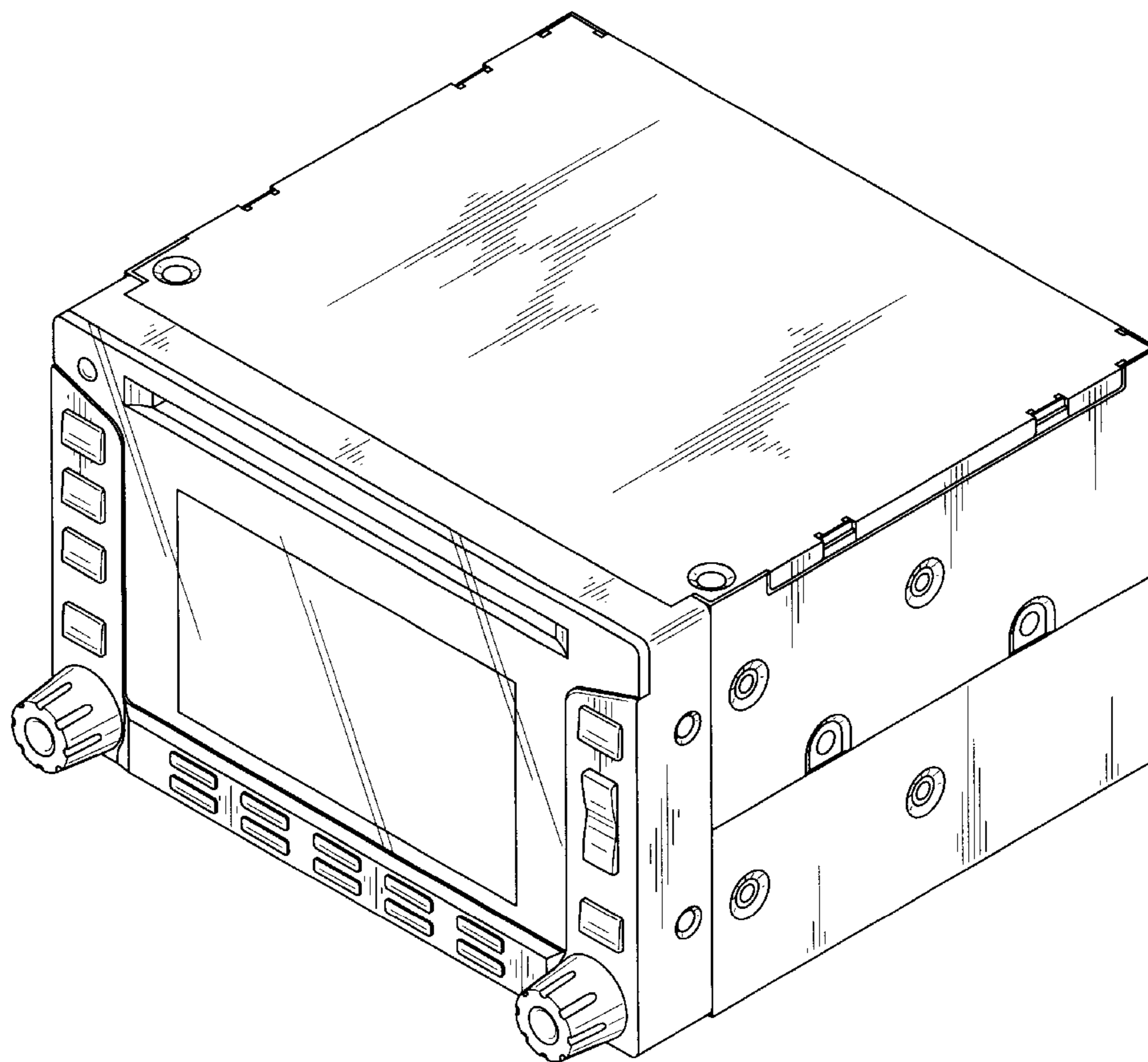


FIG. 1

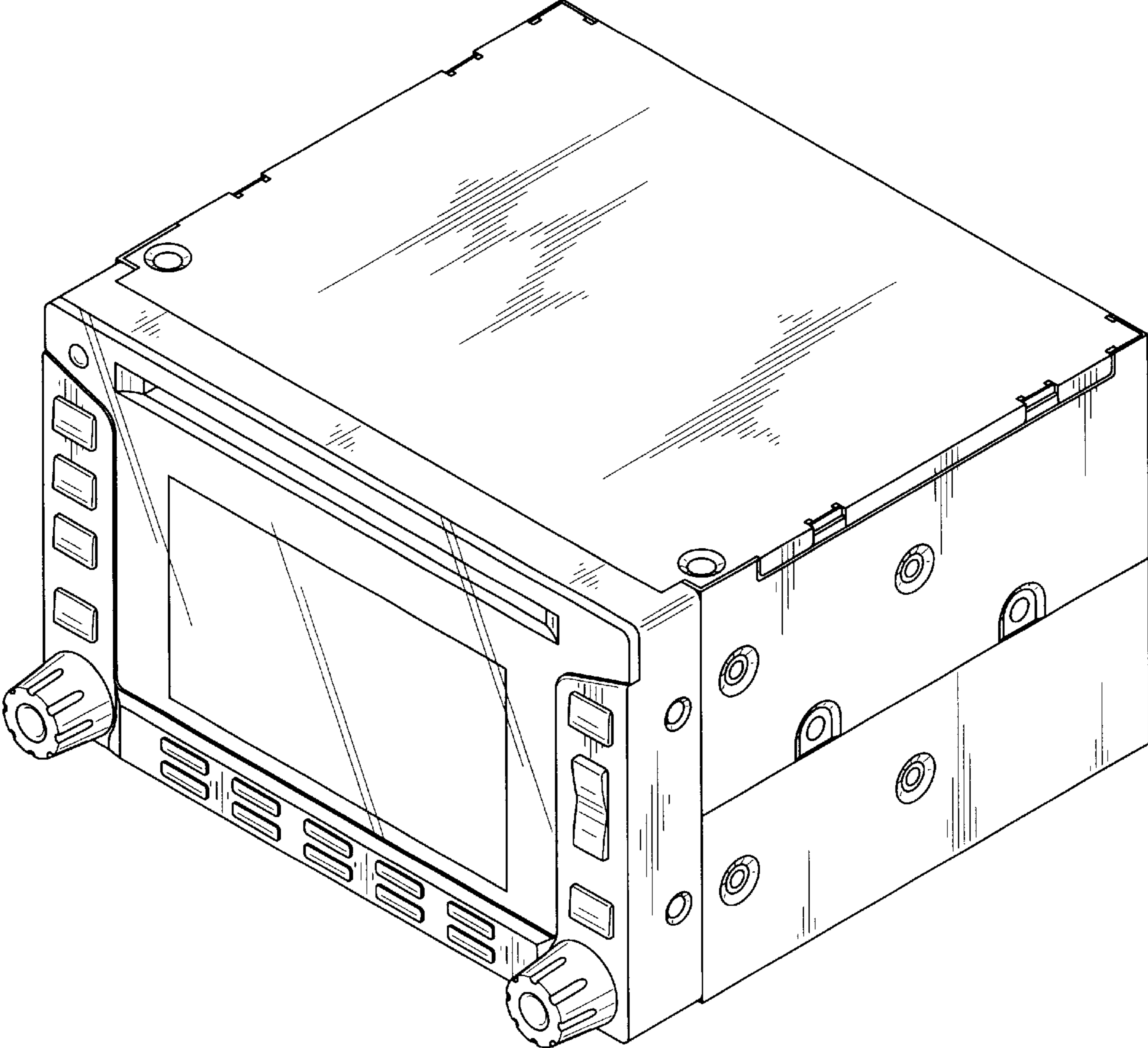


FIG. 2

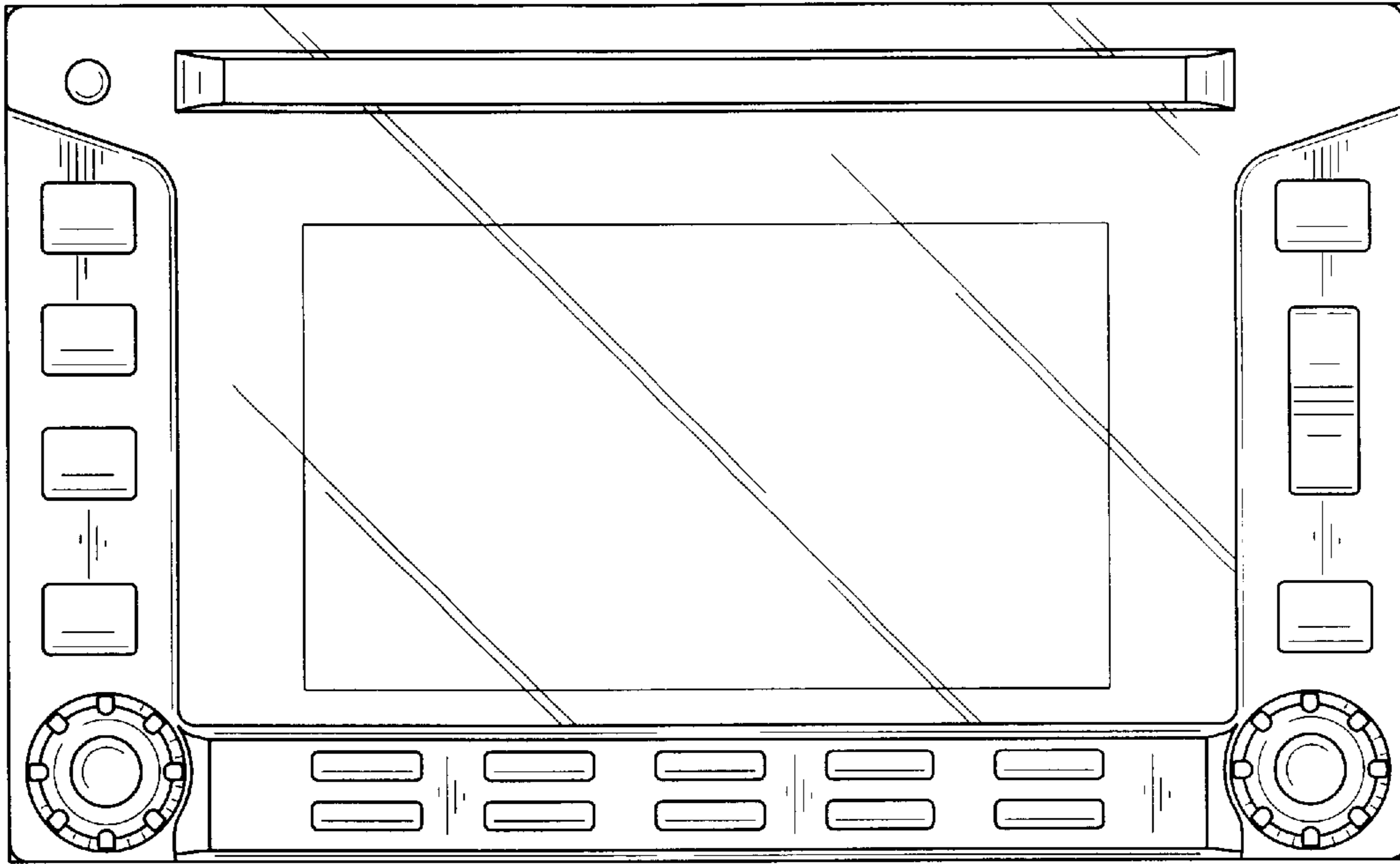


FIG. 3

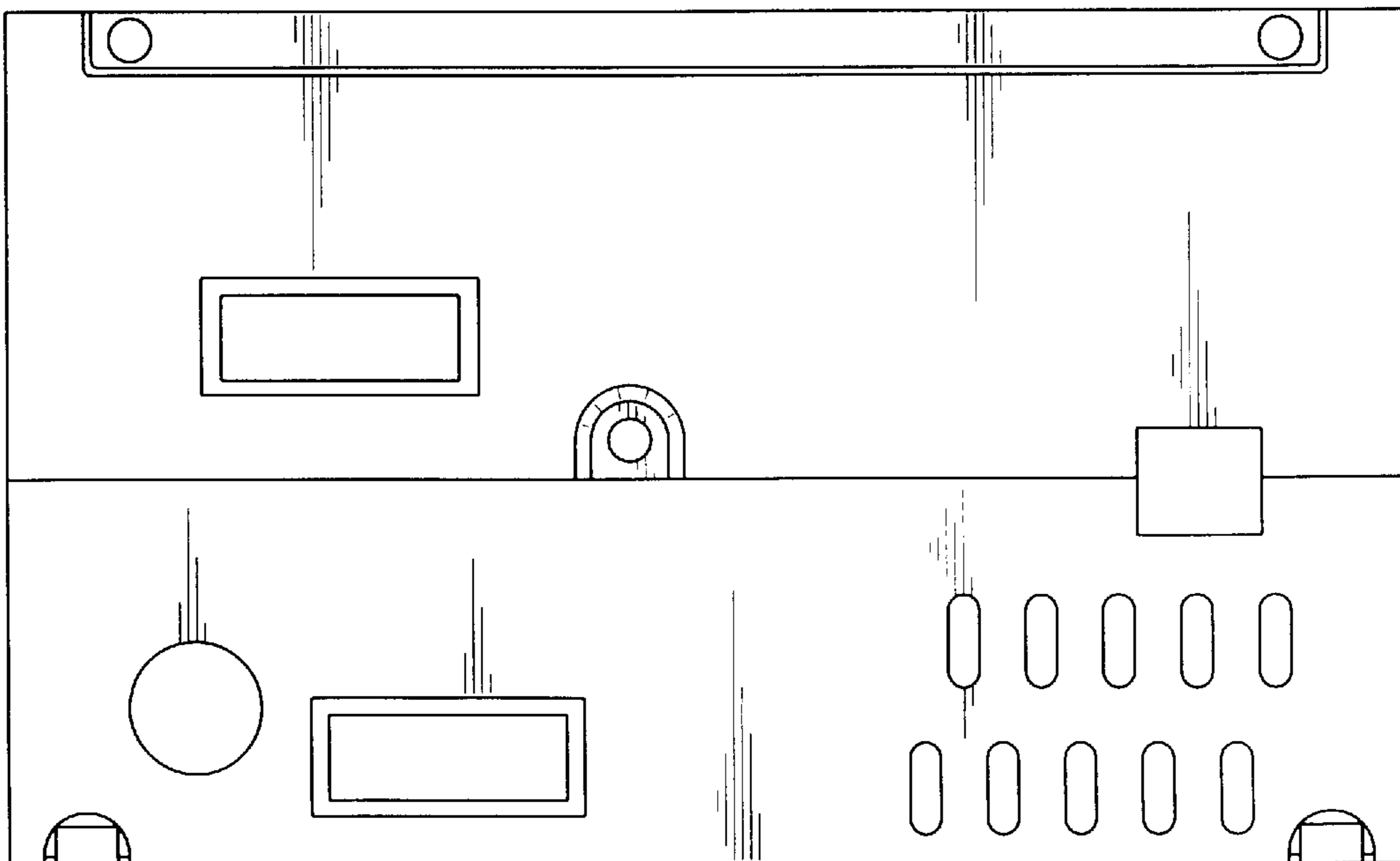


FIG. 4

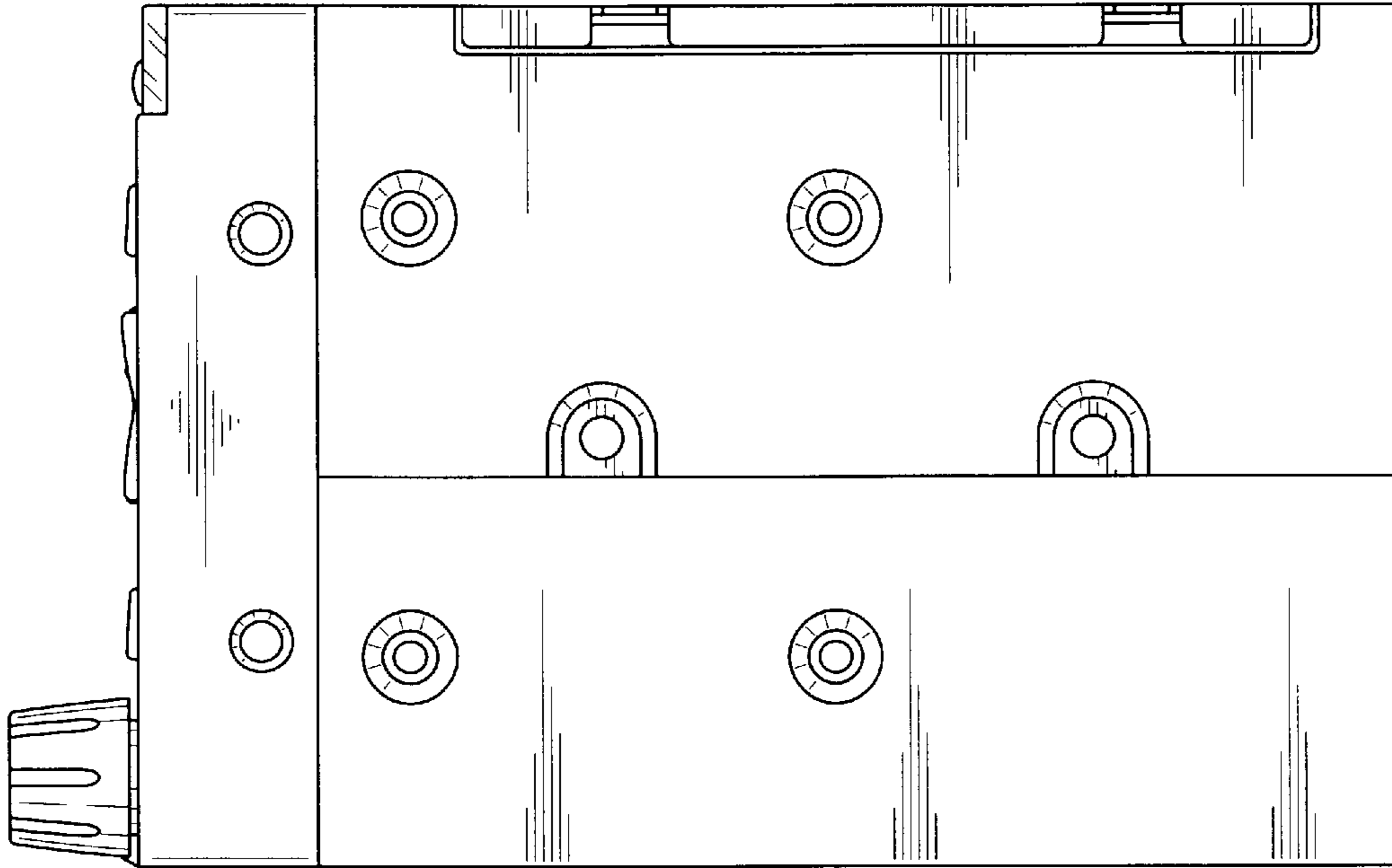


FIG. 5

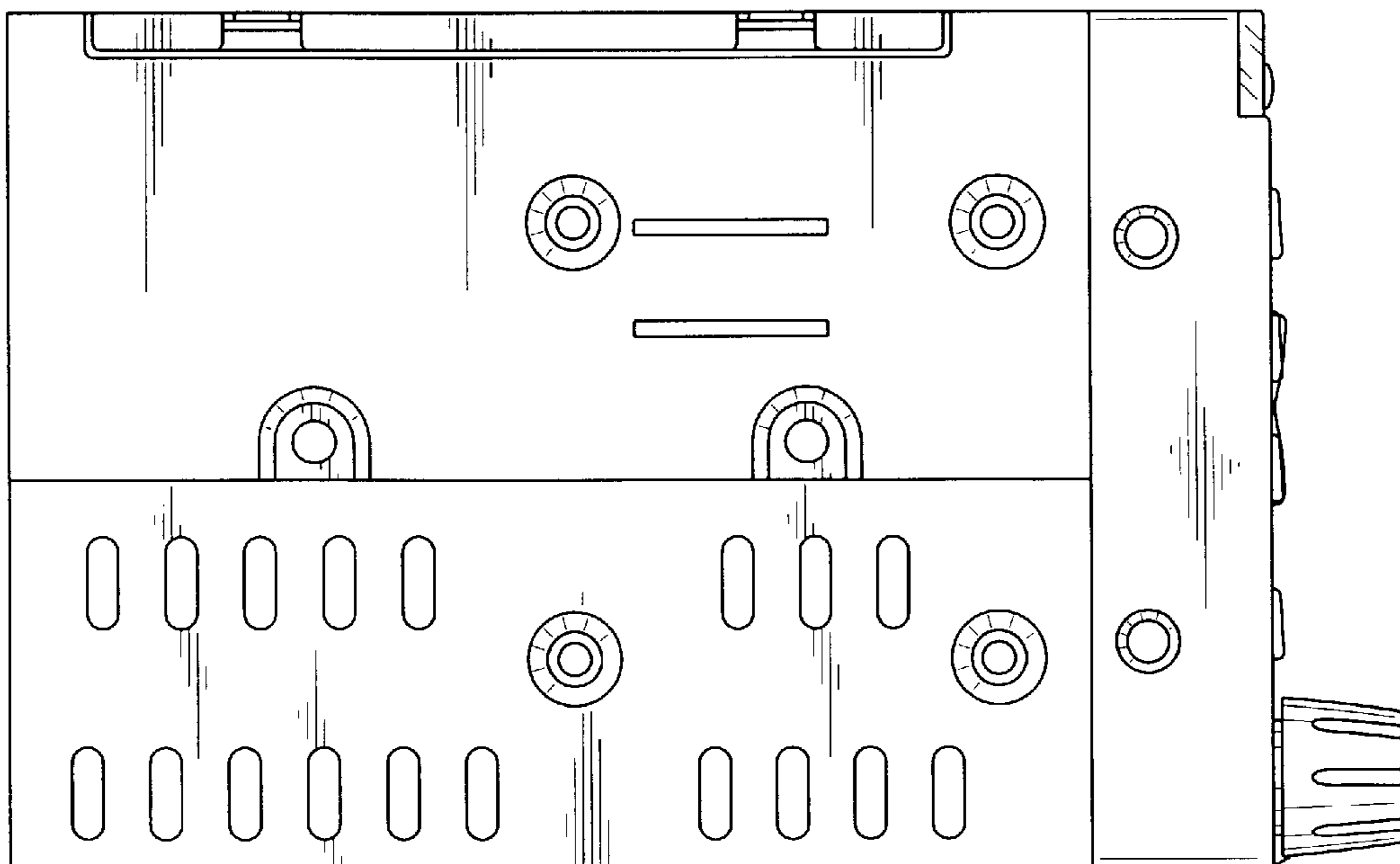


FIG. 6

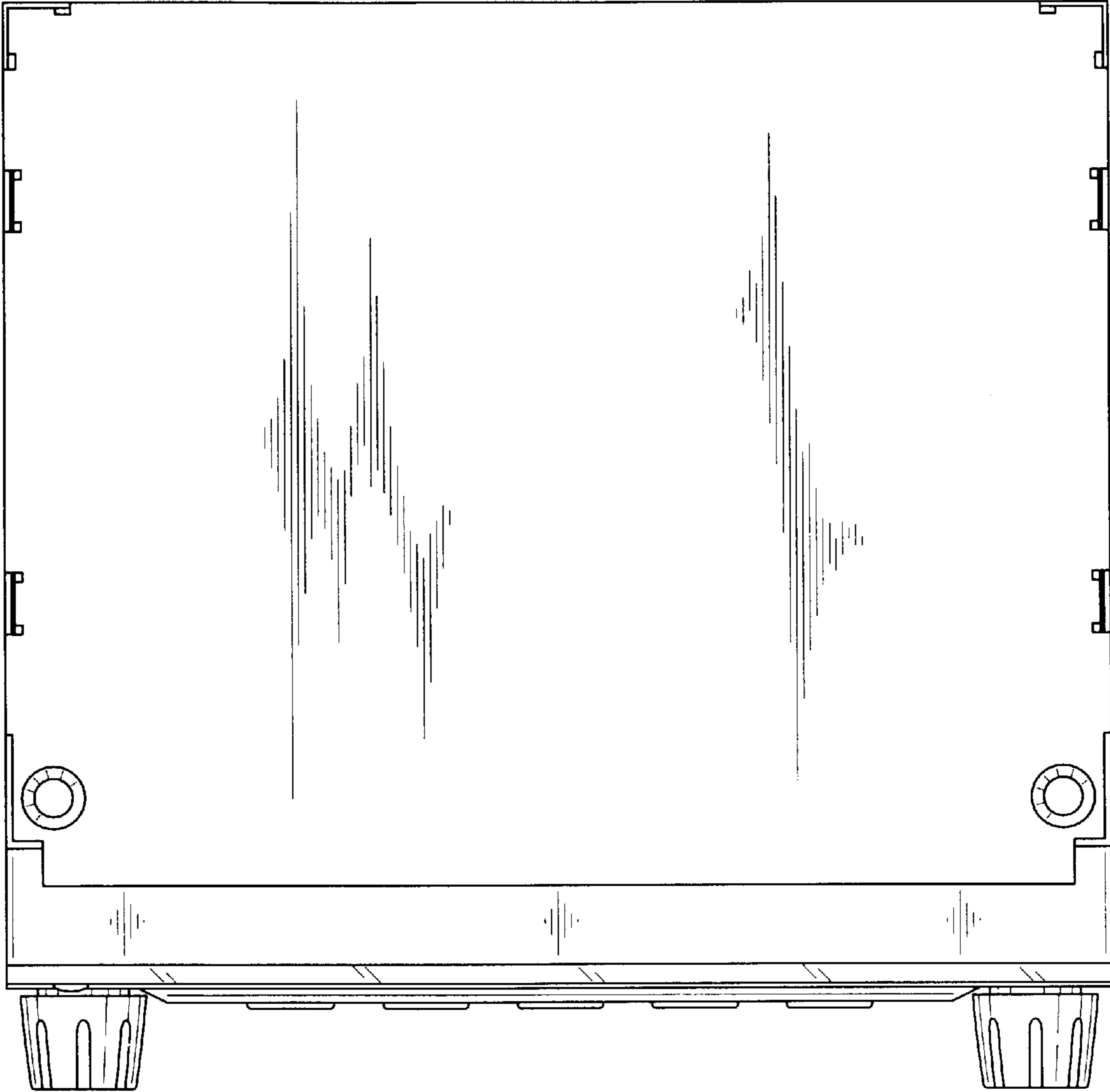


FIG. 7

