

US00D507192S

(12) **United States Design Patent**
Schroeder et al.

(10) **Patent No.: US D507,192 S**
(45) **Date of Patent: ** Jul. 12, 2005**

(54) **DECORATOR THERMOSTAT COVER**

DESCRIPTION

(76) Inventors: **David Harvey Schroeder**, 362 Hawthorne Blvd., Glen Ellyn, IL (US) 60137; **Russell Edward Schroeder**, W4136 Raaschs Hill Rd., Horicon, WI (US) 53032

Our invention is an ornamental design for a thermostat cover which is adaptable to harmonize with or accent decorating schemes. Our invention is intended for interior residential or commercial use with a thermostat controlling heating and/or cooling equipment.

(**) Term: **14 Years**

FIG. 1 is a perspective view illustrating the front, left side, and top showing our new design for a decorator thermostat cover;

(21) Appl. No.: **29/201,951**

(22) Filed: **Mar. 23, 2004**

FIG. 2 is a front and lower left perspective view of the decorator thermostat cover where the cover is shown as opaque for clarity;

(51) **LOC (8) Cl. 10-04**

(52) **U.S. Cl. D10/60**

(58) **Field of Search** D10/57, 60; 236/46 R, 236/47, 49, 94, 51, 84; 400/485; 392/498, 503, 497

FIG. 3 is a left side elevational view of the decorator thermostat cover;

FIG. 4 is a right side elevational view thereof;

(56) **References Cited**

U.S. PATENT DOCUMENTS

D249,476 S	9/1978	Kolbow	
D293,421 S	* 12/1987	Bonnema et al.	D10/50
D304,692 S	* 11/1989	Parker et al.	D10/60
D337,058 S	7/1993	Papanikolaou	
D344,684 S	* 3/1994	Metz et al.	D10/60
D359,244 S	6/1995	Perkins	
D418,762 S	1/2000	Dushane	
D447,963 S	* 9/2001	Ingebritson	D10/50

FIG. 5 is a front elevational view thereof;

FIG. 6 is a top elevational view thereof;

FIG. 7 is a back side elevational view thereof illustrating the removable decorator panel in place;

FIG. 8 is a bottom elevational view thereof;

FIG. 9 is a front plan view of a flat decorator panel removed from the decorator thermostat cover; and,

FIG. 10 is a front plan view of the decorator thermostat cover, shown in an alternate condition of use, illustrating an example wherein wallpaper is affixed to the removable decorator panel and the panel has been reinserted into the cover.

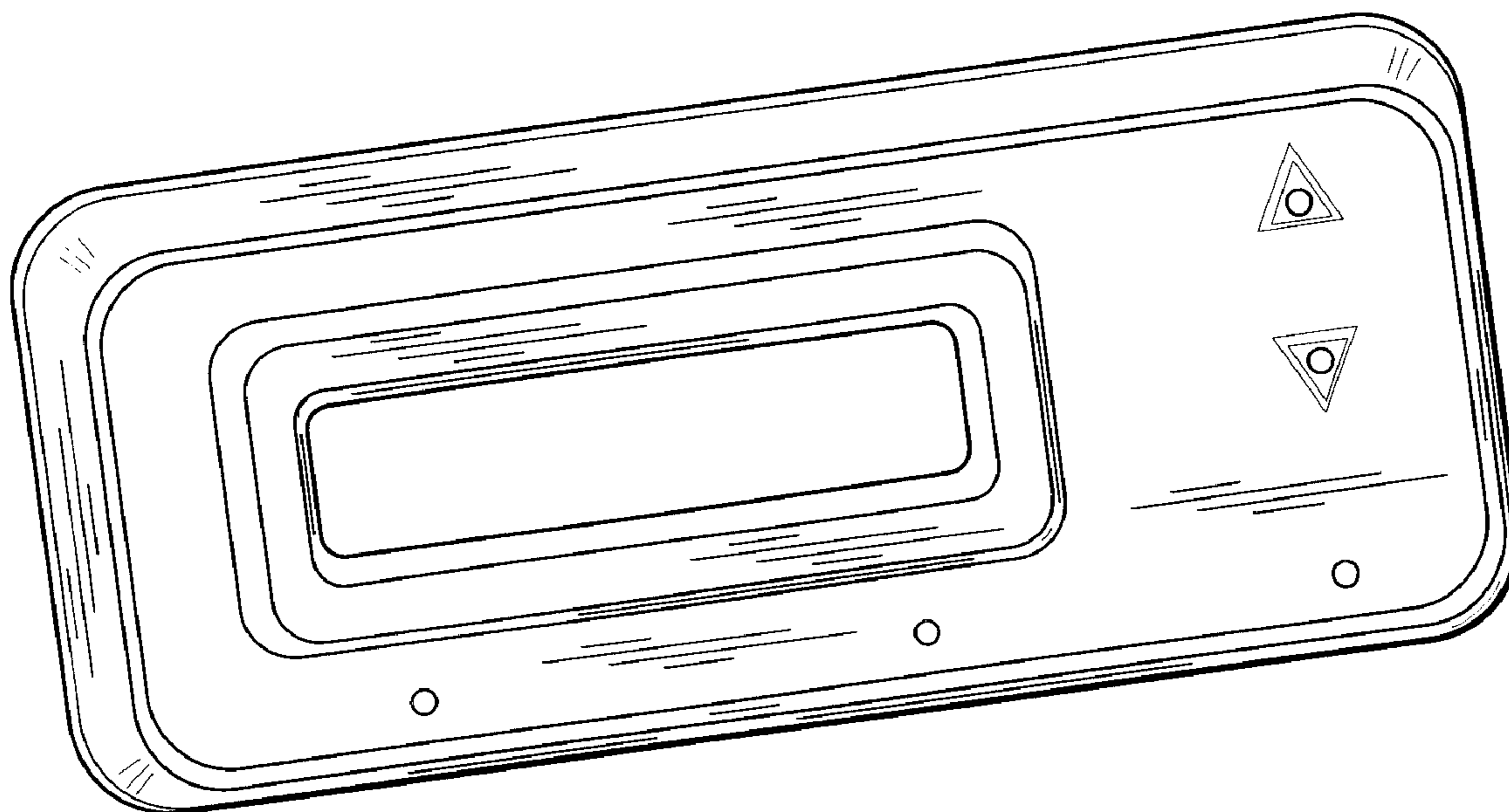
* cited by examiner

Primary Examiner—Antoine D. Davis

(57) **CLAIM**

The ornamental design for a decorator thermostat cover, substantially as shown and described.

1 Claim, 4 Drawing Sheets



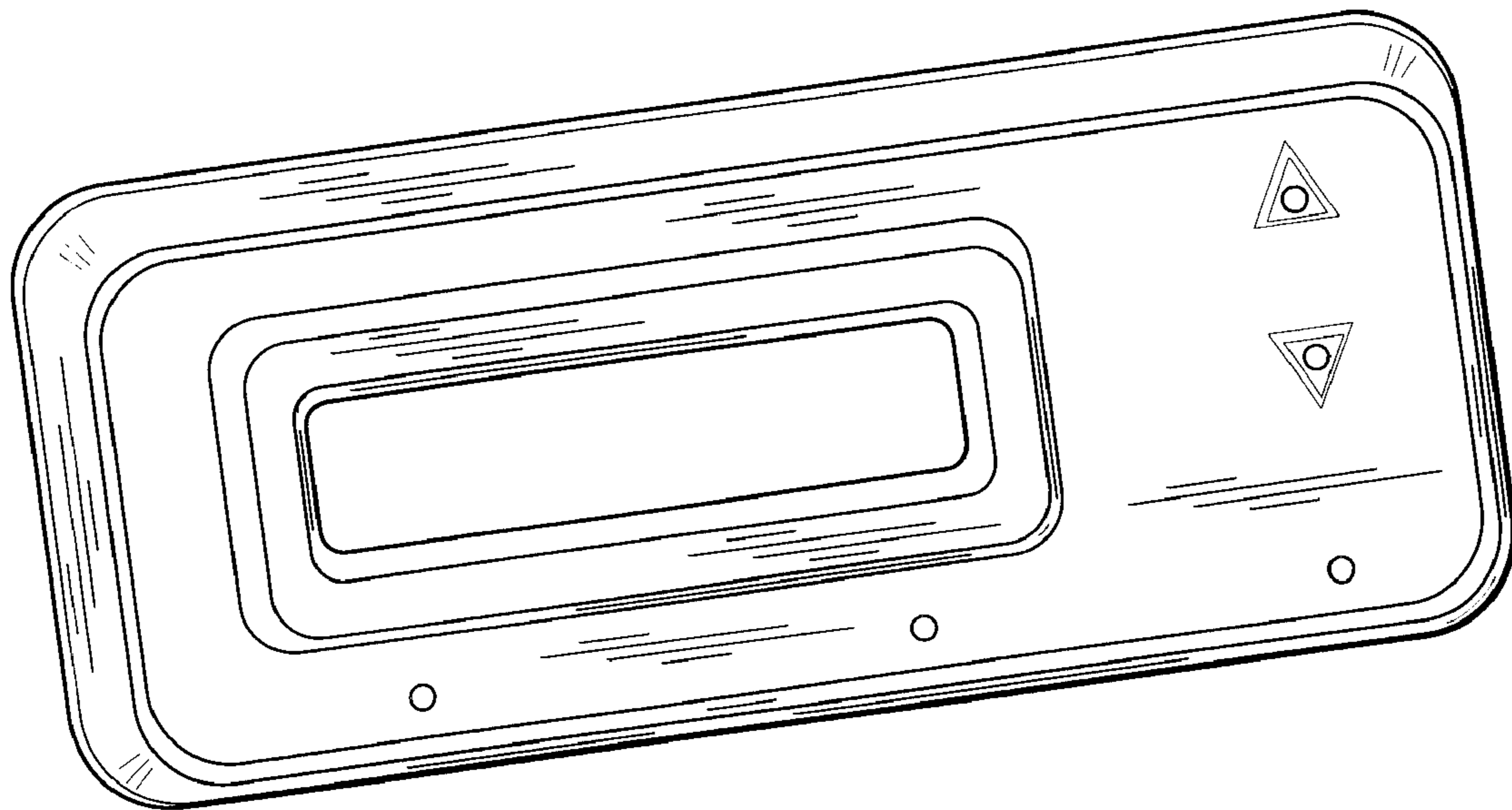


Fig. 1

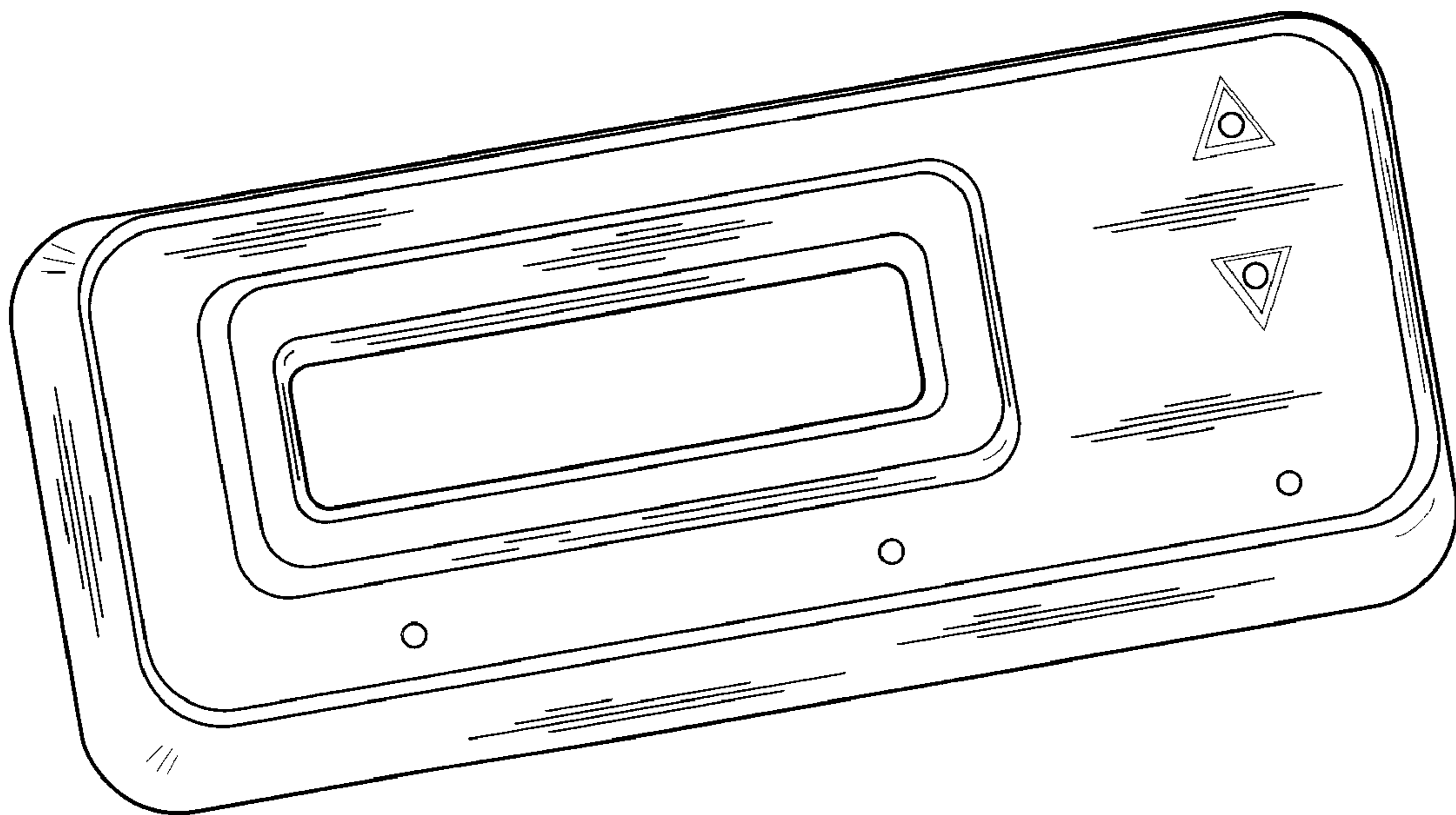


Fig. 2



Fig. 3

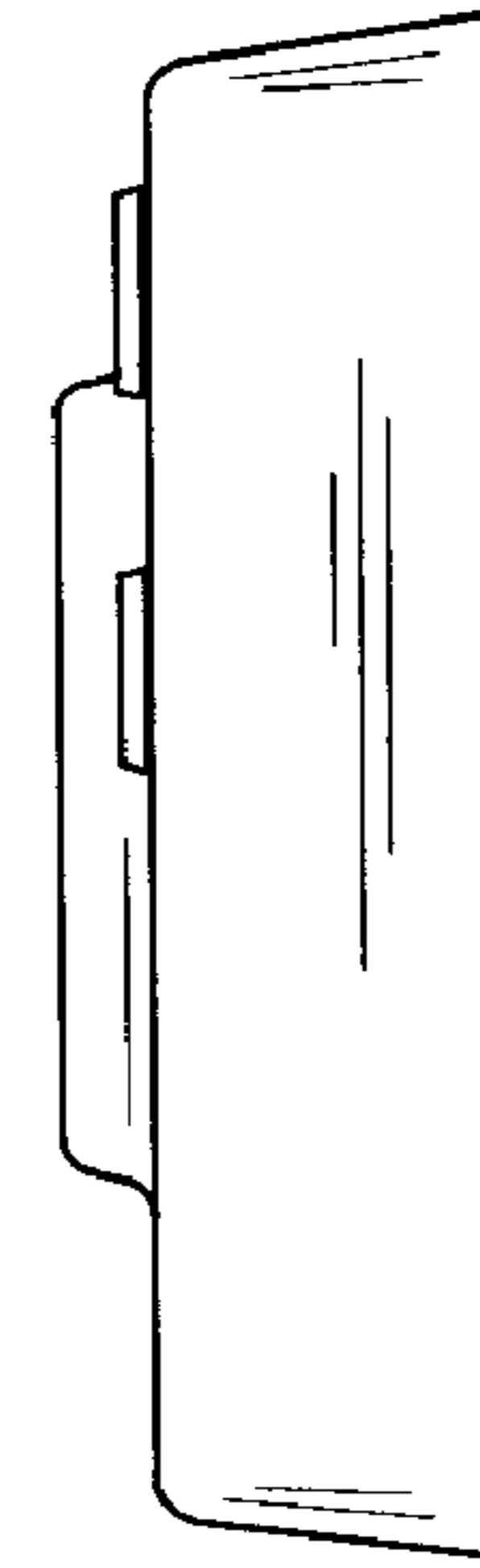


Fig. 4

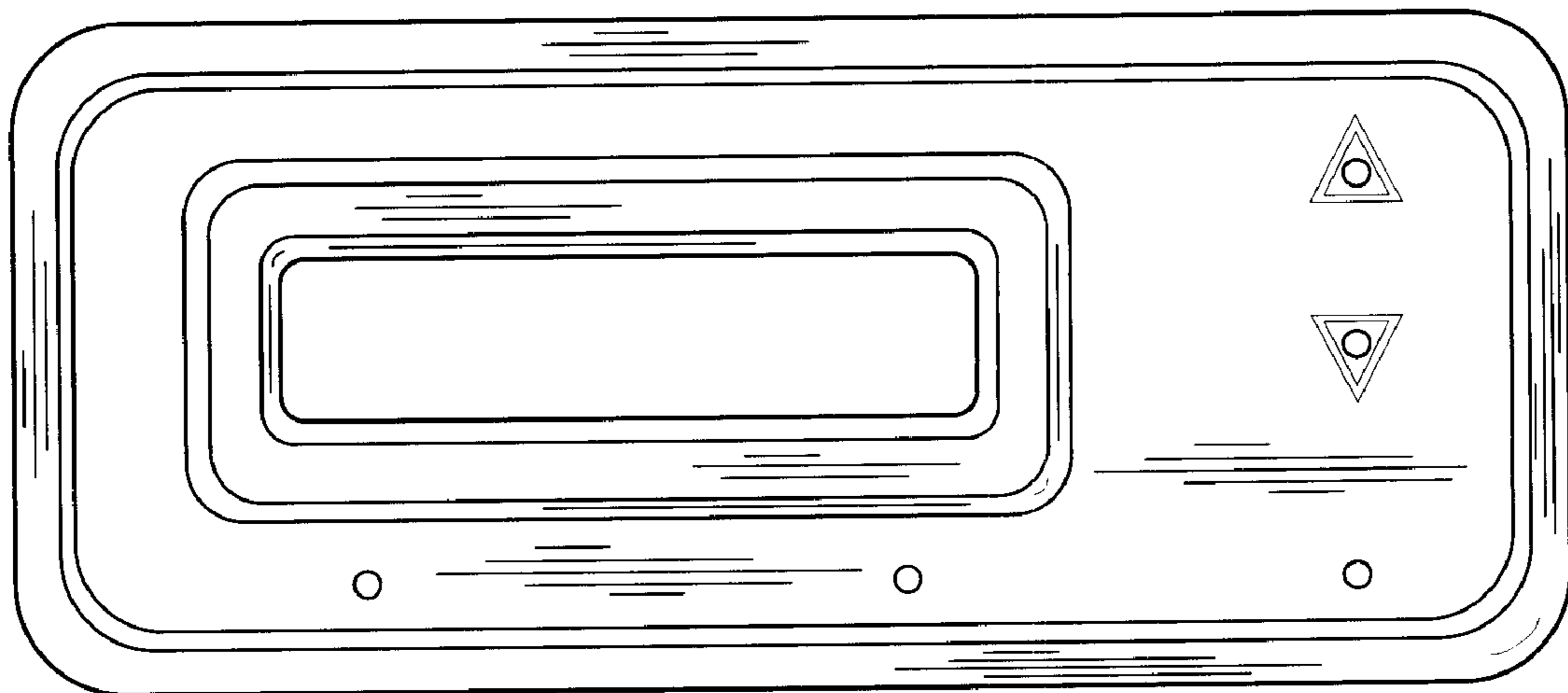


Fig. 5

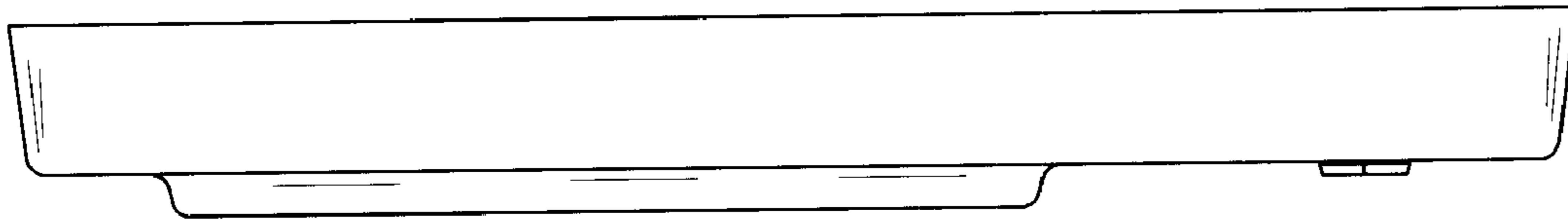


Fig. 6

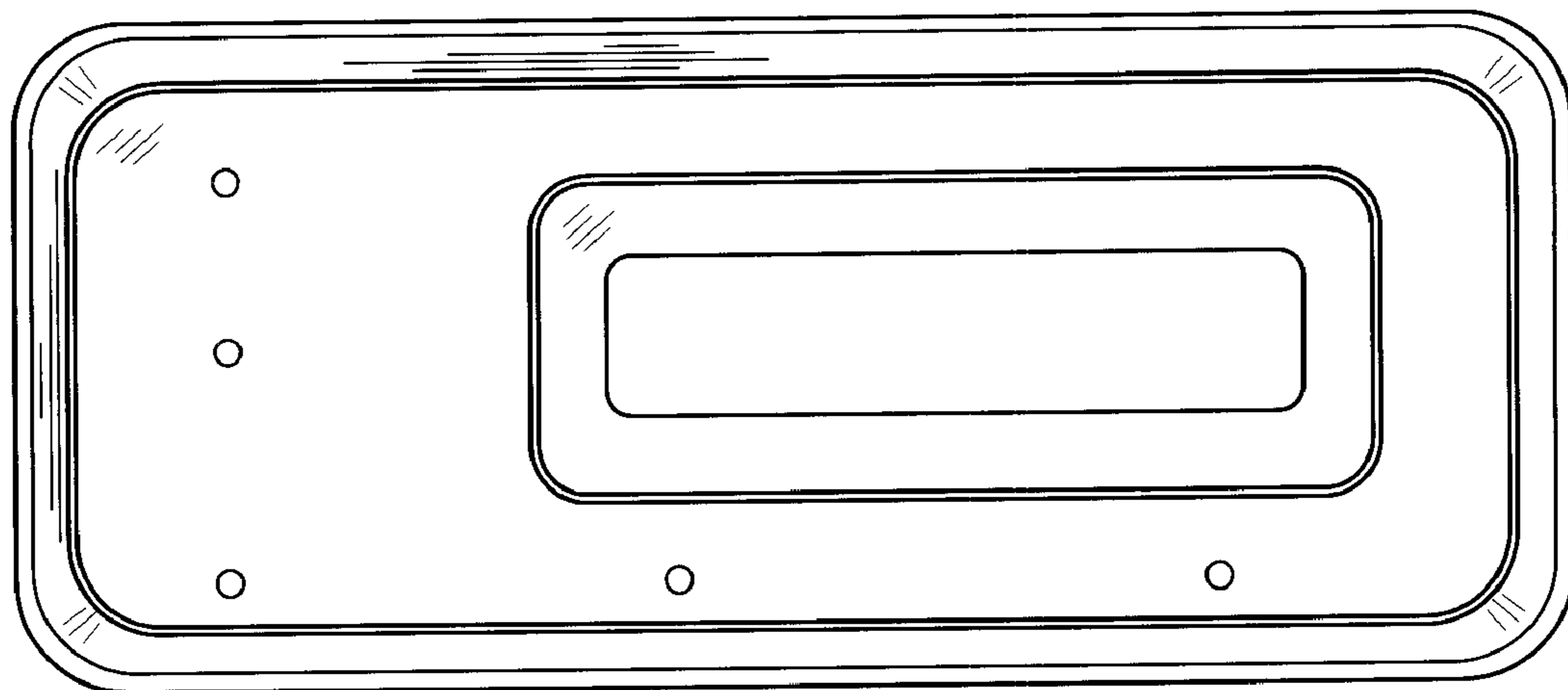


Fig. 7

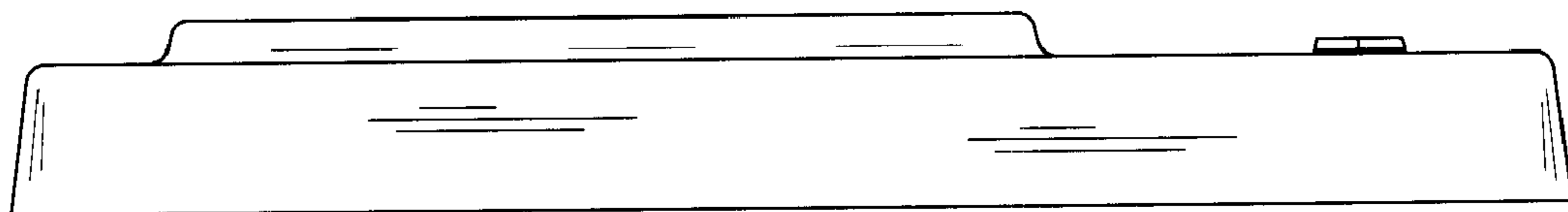


Fig. 8

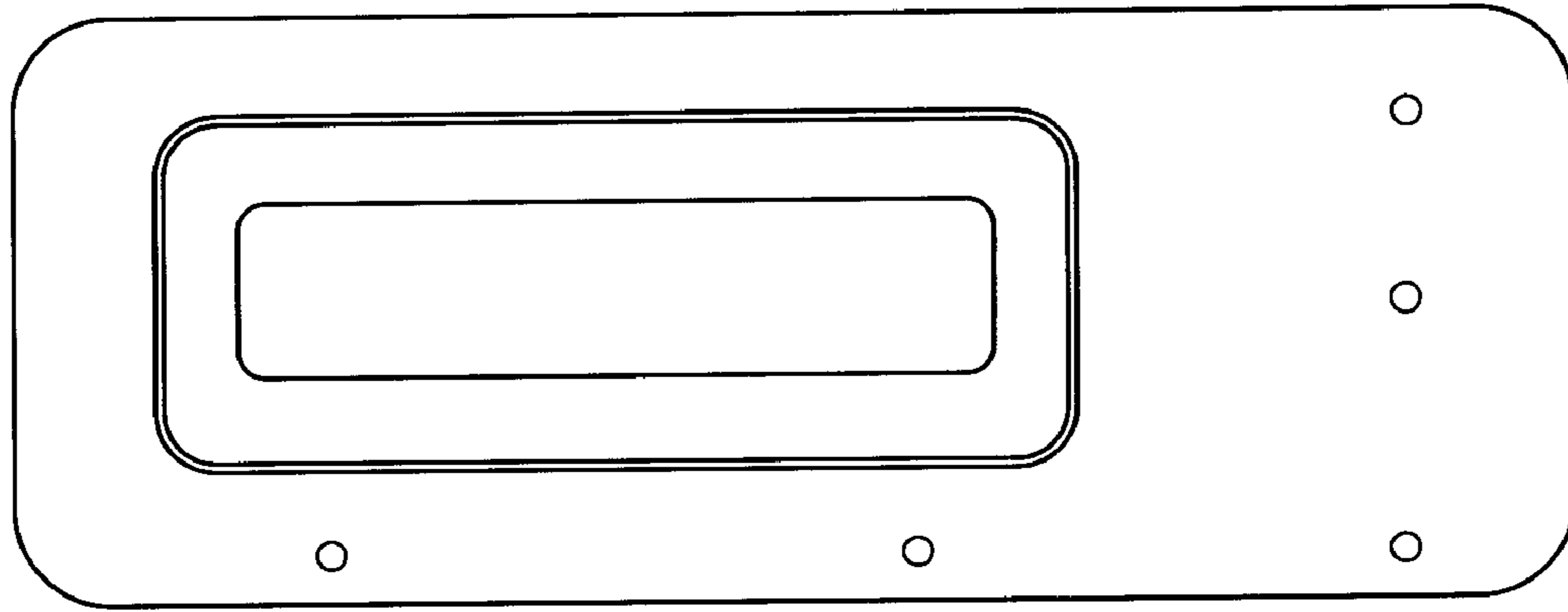


Fig. 9

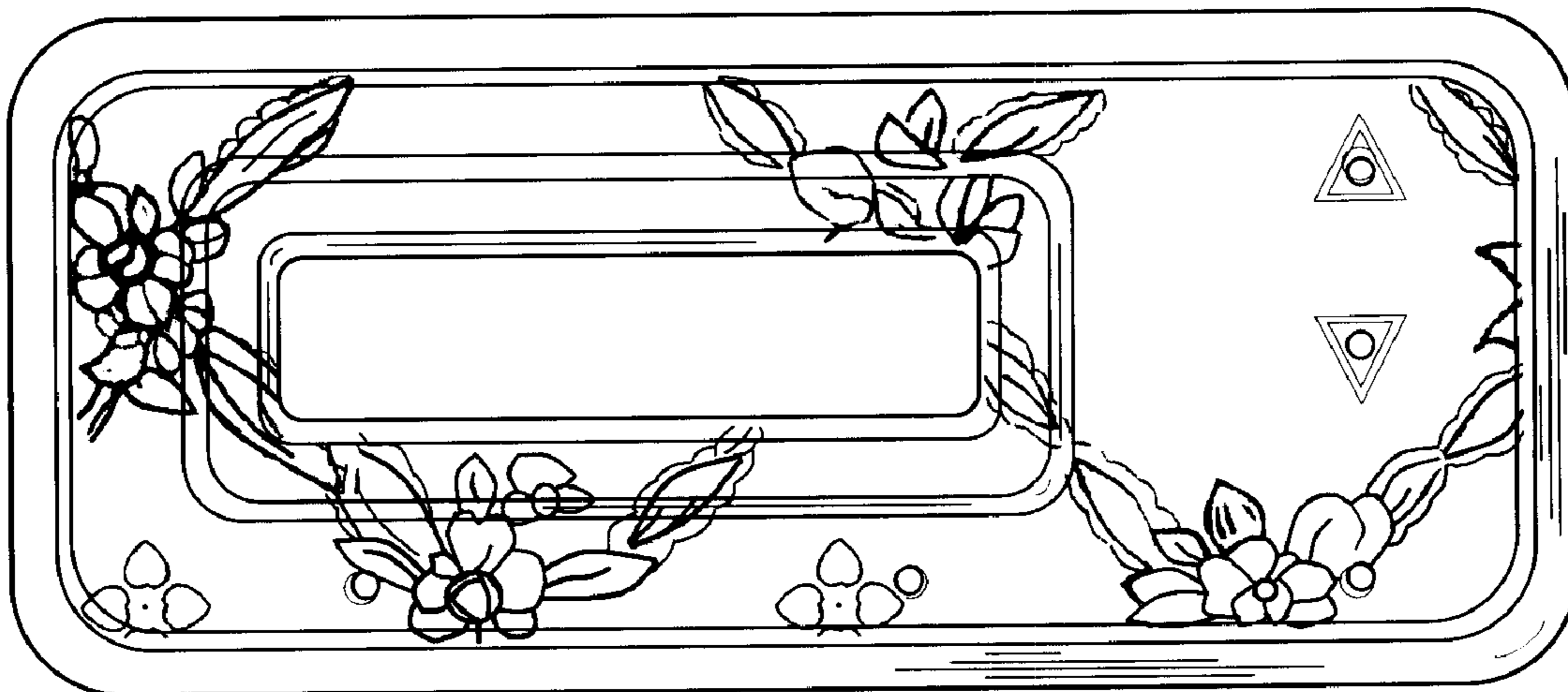


Fig. 10