

US00D507189S

(12) **United States Design Patent**
Moritz

(10) **Patent No.:** **US D507,189 S**
(45) **Date of Patent:** **** Jul. 12, 2005**

(54) **WATCH AND WATCH COMPONENT**

(75) **Inventor:** **Hans Karsten Moritz**, Foothill Ranch,
CA (US)

(73) **Assignee:** **Oakley, Inc.**, Foothill Ranch, CA (US)

(**) **Term:** **14 Years**

(21) **Appl. No.:** **29/174,569**

(22) **Filed:** **Jan. 17, 2003**

(51) **LOC (8) Cl.** **10-02**

(52) **U.S. Cl.** **D10/30**

(58) **Field of Search** D10/1-40, 122-132;
368/276-277, 223, 281-282, 228-229,
285, 239-242, 28-30, 41-44; D11/3-25;
224/164, 168, 178; 63/1.1, 3, 5, 11

D456,284 S * 4/2002 Wilson D10/32
D456,724 S * 5/2002 Wilson D10/32
D463,987 S * 10/2002 Wilson D10/32
D464,892 S 10/2002 Moritz et al.
D466,032 S 11/2002 Moritz et al.
D466,419 S 12/2002 Moritz et al.

OTHER PUBLICATIONS

Pending U.S. Appl. No. 29/167,512, filed Sep. 16, 2002,
Moritz et al.

* cited by examiner

Primary Examiner—Nelson C. Holtje

(74) *Attorney, Agent, or Firm*—Gregory K. Nelson

(57) **CLAIM**

The ornamental design for a watch and watch component, as
shown and described.

DESCRIPTION

FIG. 1 is a front perspective view of an alternate embodi-
ment of the watch and watch components of the present
invention;

FIG. 2 is a front elevational view of watch and watch
components of FIG. 8;

FIG. 3 is a rear elevational view of watch and watch
components of FIG. 8;

FIG. 4 is a right-side elevational view of watch and watch
components of FIG. 8;

FIG. 5 is a left-side elevational view of watch and watch
components of FIG. 8;

FIG. 6 is a bottom plan view of watch and watch compo-
nents of FIG. 8; and,

FIG. 7 is a top plan view of watch and watch components of
FIG. 8.

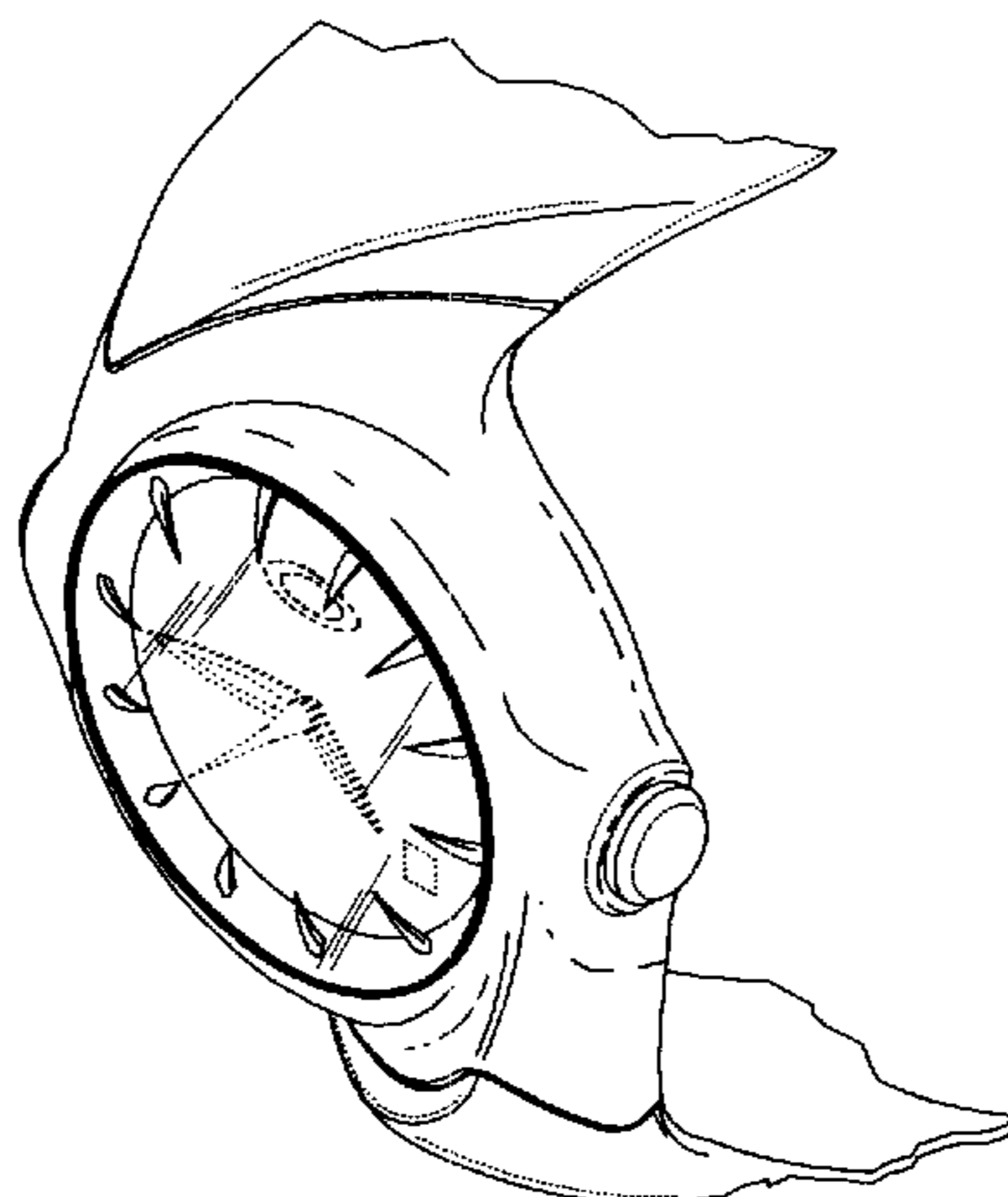
The broken line showings of logos, wristband, and knobs,
where used, are for illustrative purposes only and form no
part of the claimed design.

1 Claim, 4 Drawing Sheets

(56) **References Cited**

U.S. PATENT DOCUMENTS

D42,449 S * 4/1912 Wittnauer D10/38
2,189,096 A * 2/1940 Alonge 224/170
2,472,351 A * 6/1949 Tyler 368/282
D243,318 S * 2/1977 Kurihara D10/32
D378,740 S 4/1997 Yamamoto et al.
D389,750 S 1/1998 Houlihan
D394,391 S 5/1998 Bruce et al.
D394,394 S 5/1998 Bruce et al.
D394,403 S 5/1998 Hanagata
D395,011 S 6/1998 Hanagata
D402,900 S 12/1998 Hanagata et al.
D413,527 S 9/1999 Hanagata
D414,429 S 9/1999 Liao
D423,946 S 5/2000 Jannard et al.
D425,799 S 5/2000 Hysek
D429,168 S * 8/2000 Jannard et al. D10/30
D433,342 S 11/2000 Fox
D434,678 S * 12/2000 Raetz D10/32
D438,123 S * 2/2001 Choi et al. D10/30
D455,969 S * 4/2002 Wilson D10/32



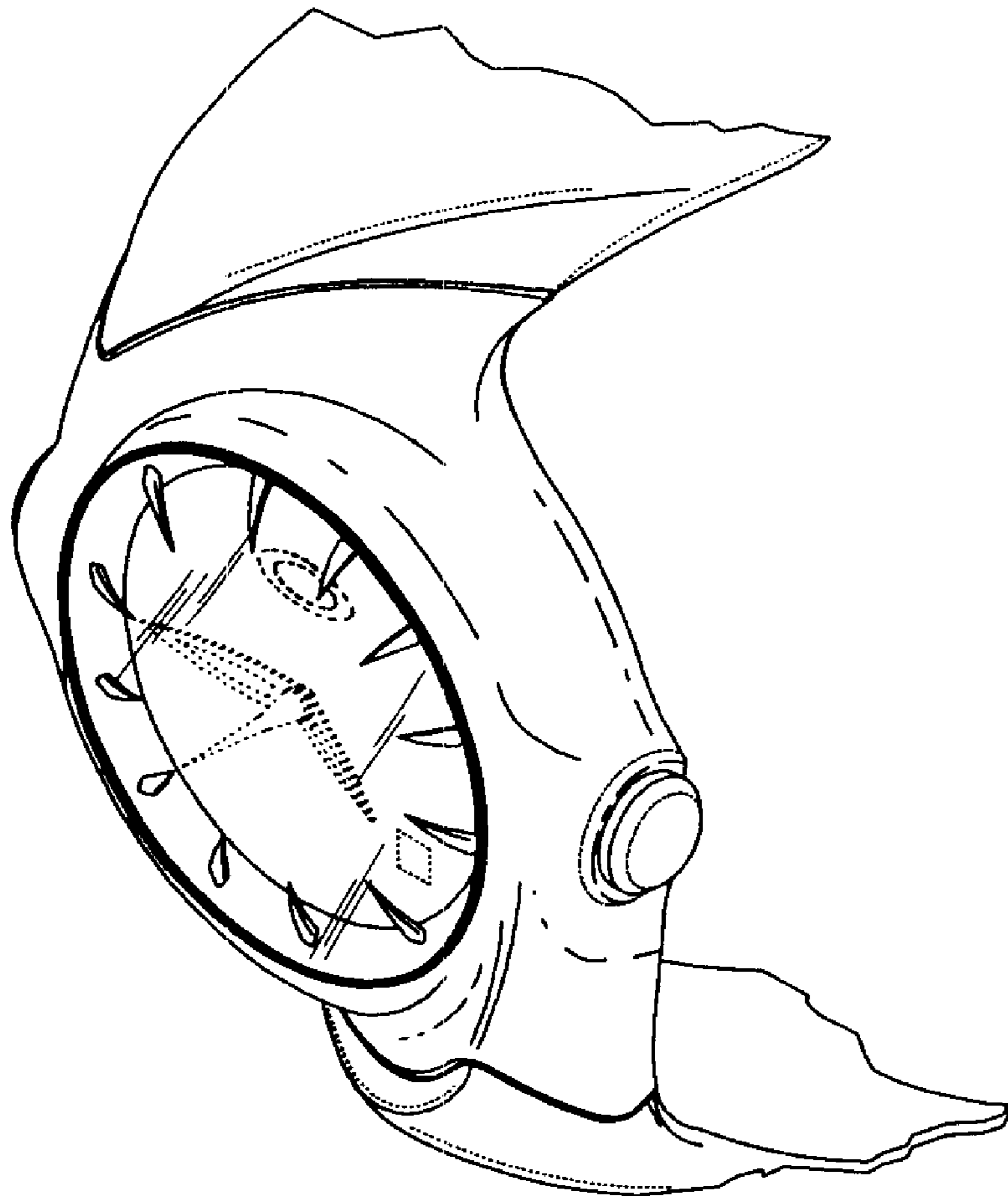


FIG. 1

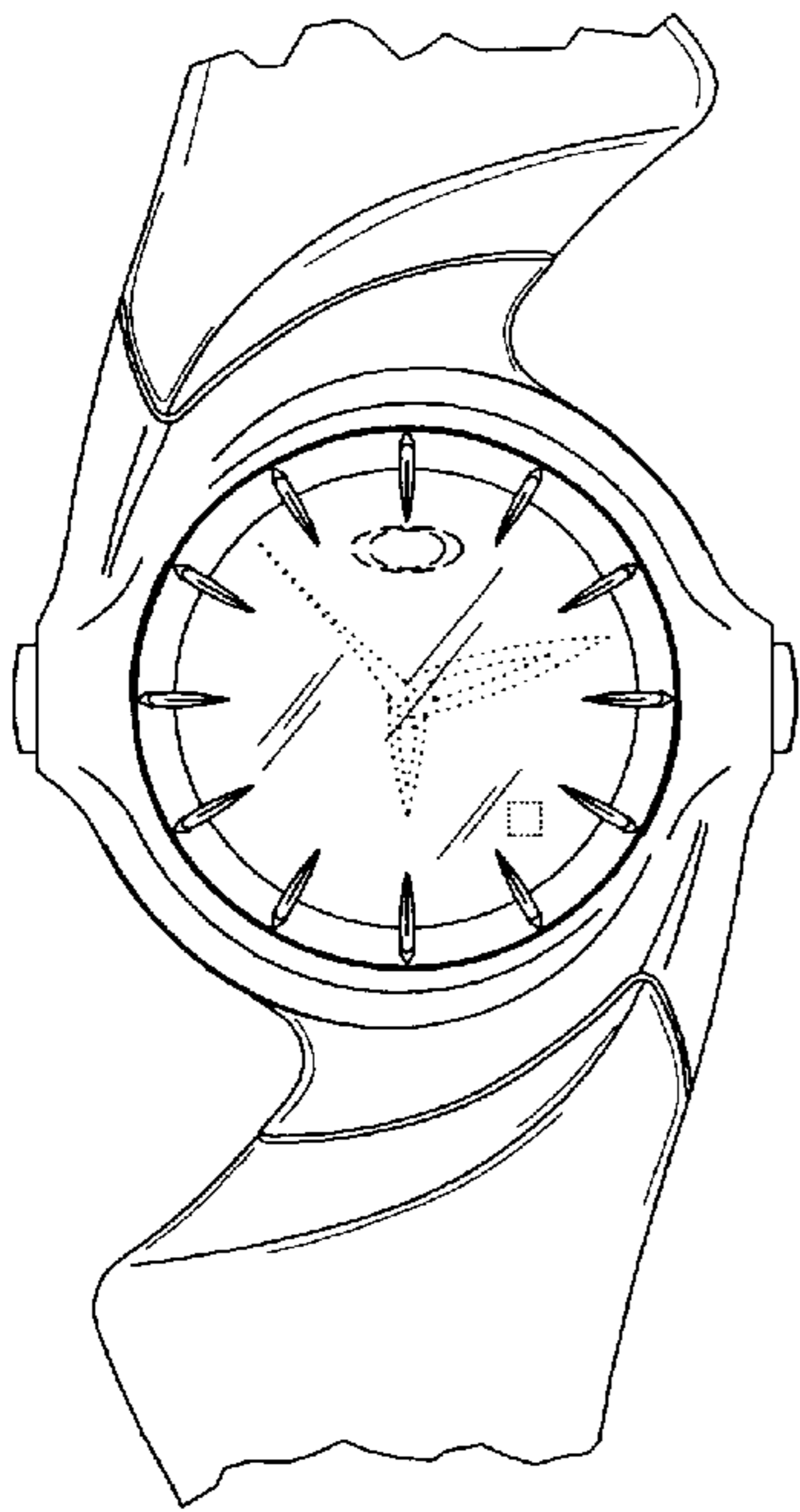


FIG. 2

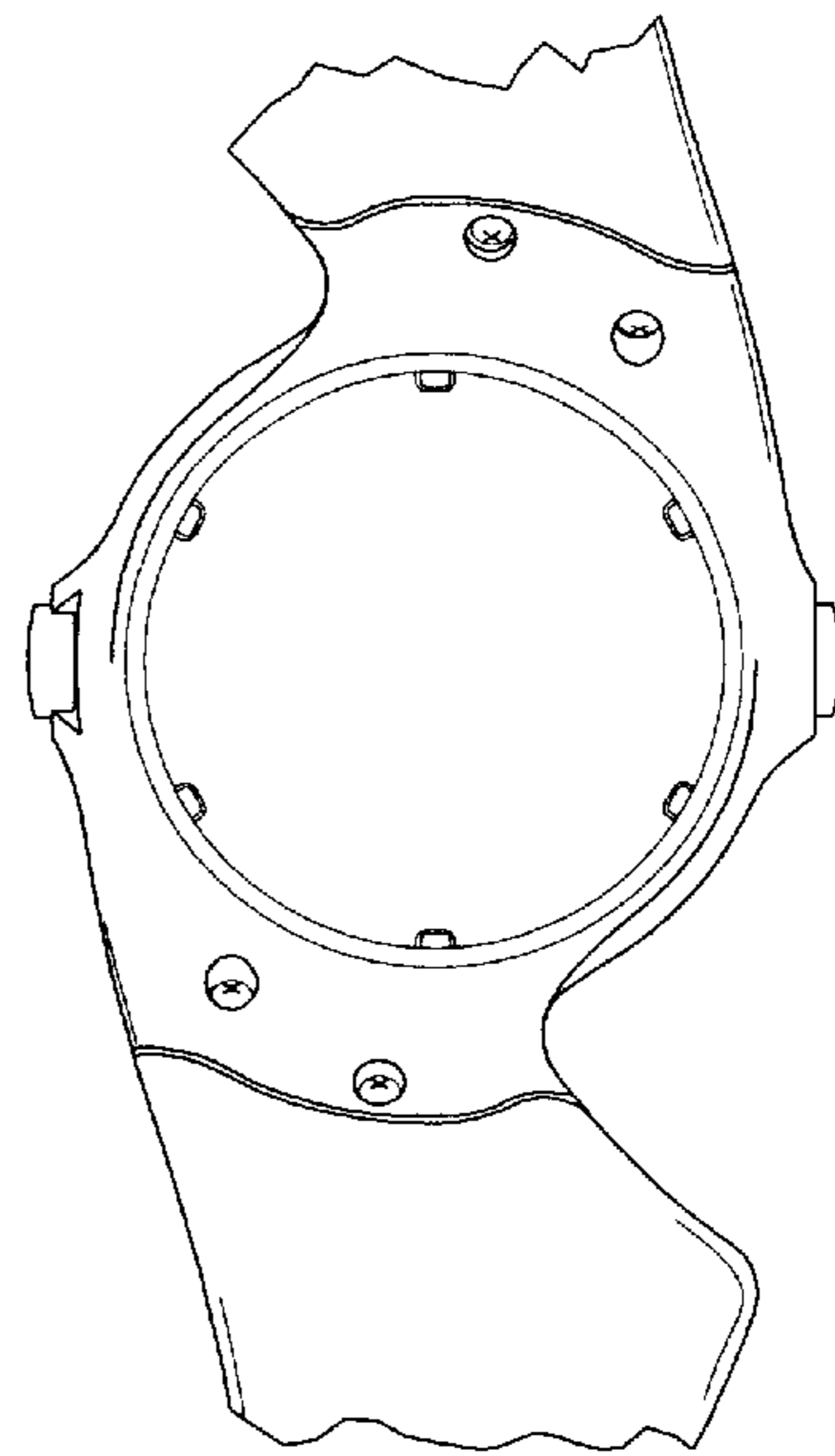
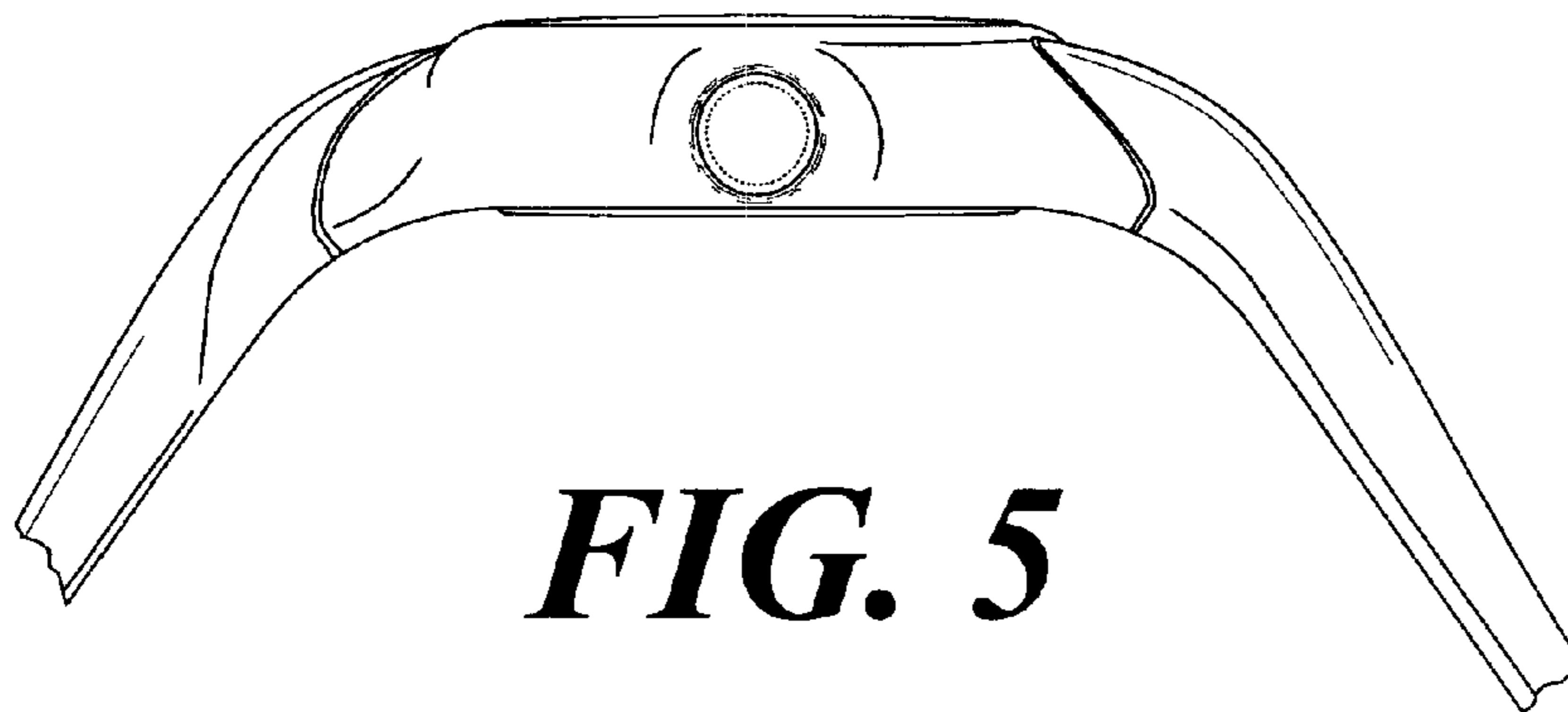
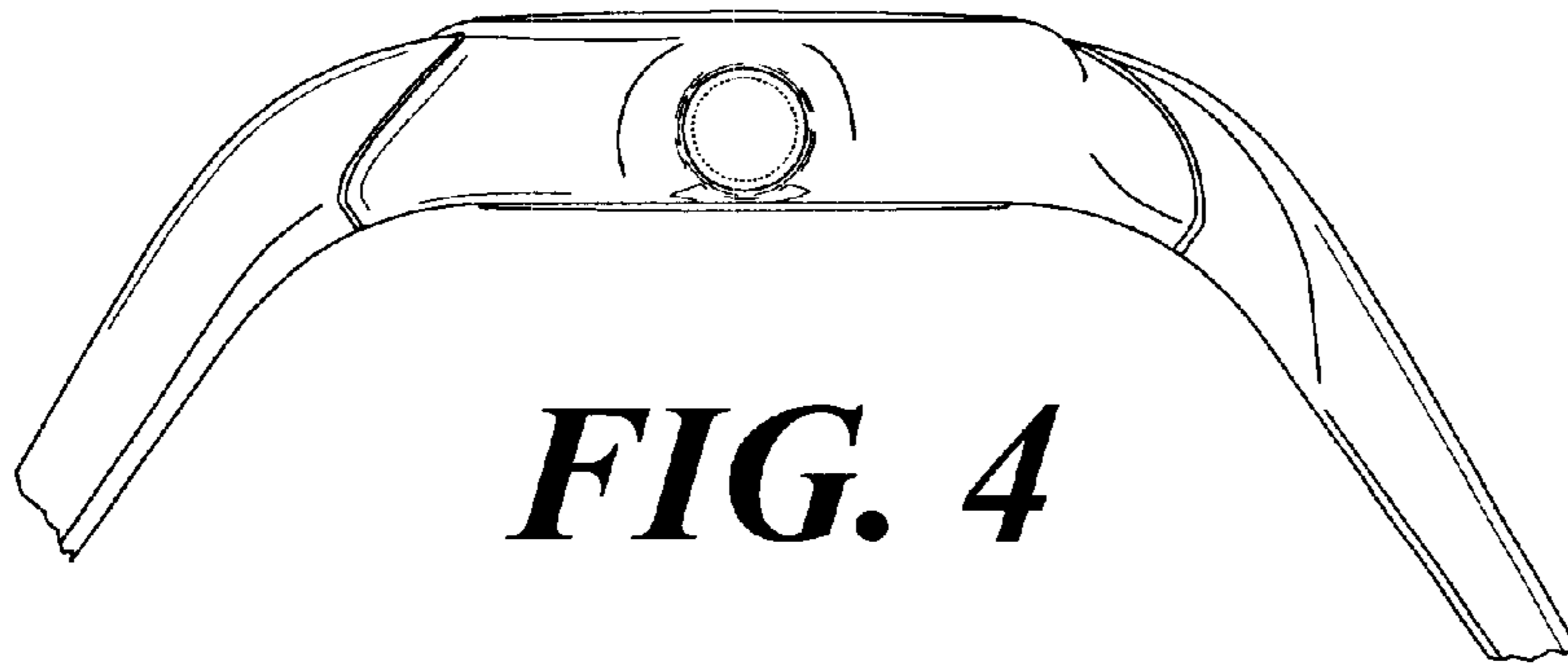


FIG. 3



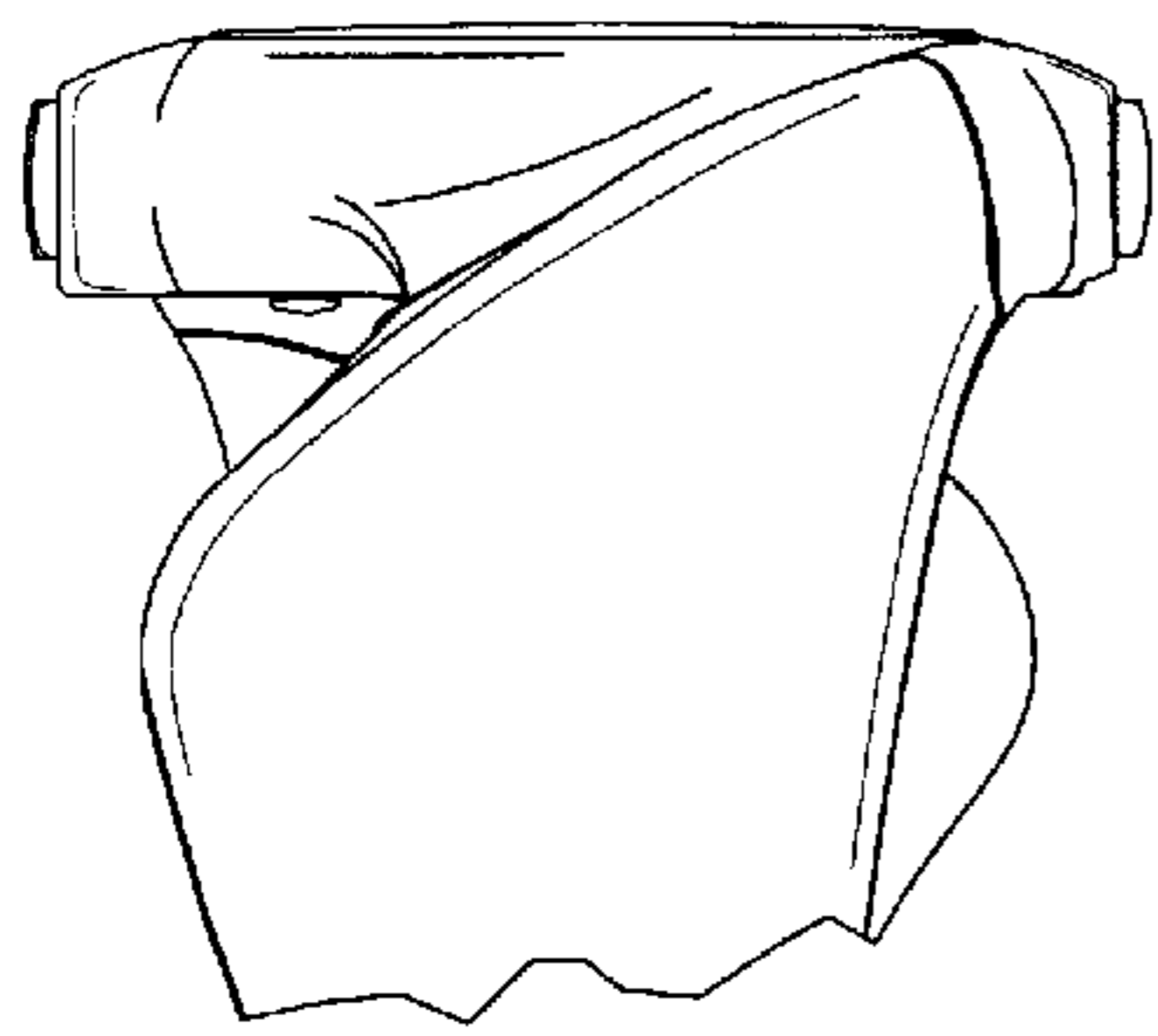


FIG. 6

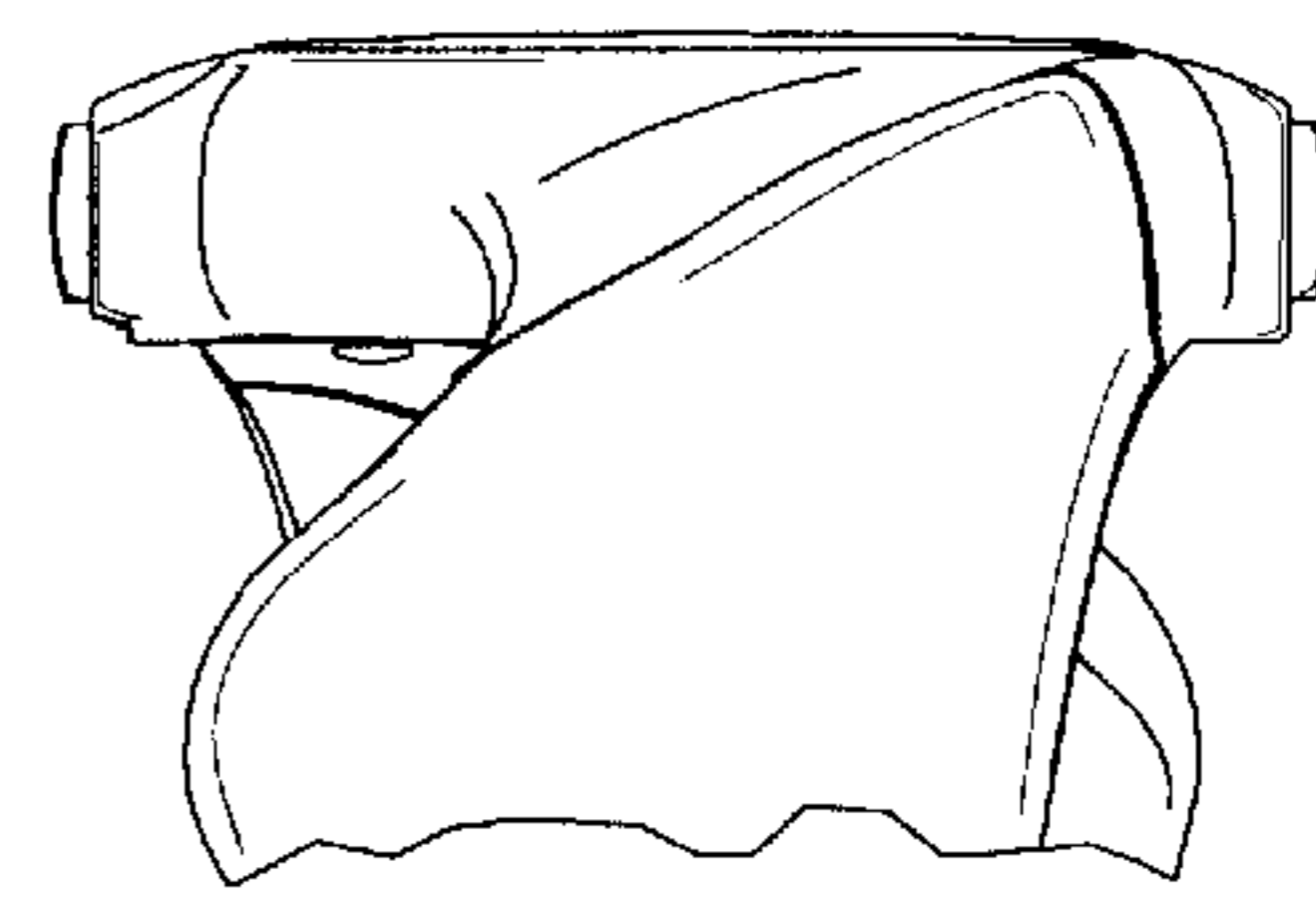


FIG. 7