



US00D507186S

(12) **United States Design Patent**
Bleaman

(10) **Patent No.: US D507,186 S**

(45) **Date of Patent: ** Jul. 12, 2005**

(54) **LIQUID AND LOTION CONTAINER**

(75) **Inventor: David M. Bleaman, Scottsdale, AZ (US)**

(73) **Assignee: Fore Cosmetics, LLC, Scottsdale, AZ (US)**

(**) **Term: 14 Years**

(21) **Appl. No.: 29/191,903**

(22) **Filed: Oct. 15, 2003**

(51) **LOC (8) Cl. 21-01**

(52) **U.S. Cl. D9/668**

(58) **Field of Search** D9/600, 451, 668,
D9/715; D28/79; D21/709; 215/379-383,
400; 220/890

D425,706 S * 5/2000 Calderone D9/307
D433,066 S * 10/2000 Porter D9/307
D474,335 S * 5/2003 von Schmidt et al. D9/307
D490,304 S * 5/2004 Landers D9/668

OTHER PUBLICATIONS

Harry and David Catalog, Nov. 1961. p. 129, Golf ball container.*

* cited by examiner

Primary Examiner—Sandra L. Morris

(74) *Attorney, Agent, or Firm*—Cahill, von Hellens & Glazer, P.L.C.

(57) **CLAIM**

The ornamental design for a liquid and lotion container, as shown and described.

DESCRIPTION

FIG. 1 is a perspective view of a liquid and lotion container illustrating my new design;

FIG. 2 is a top view thereof;

FIG. 3 is a front elevational view thereof;

FIG. 4 is a bottom view thereof; and,

FIG. 5 is a left side view thereof.

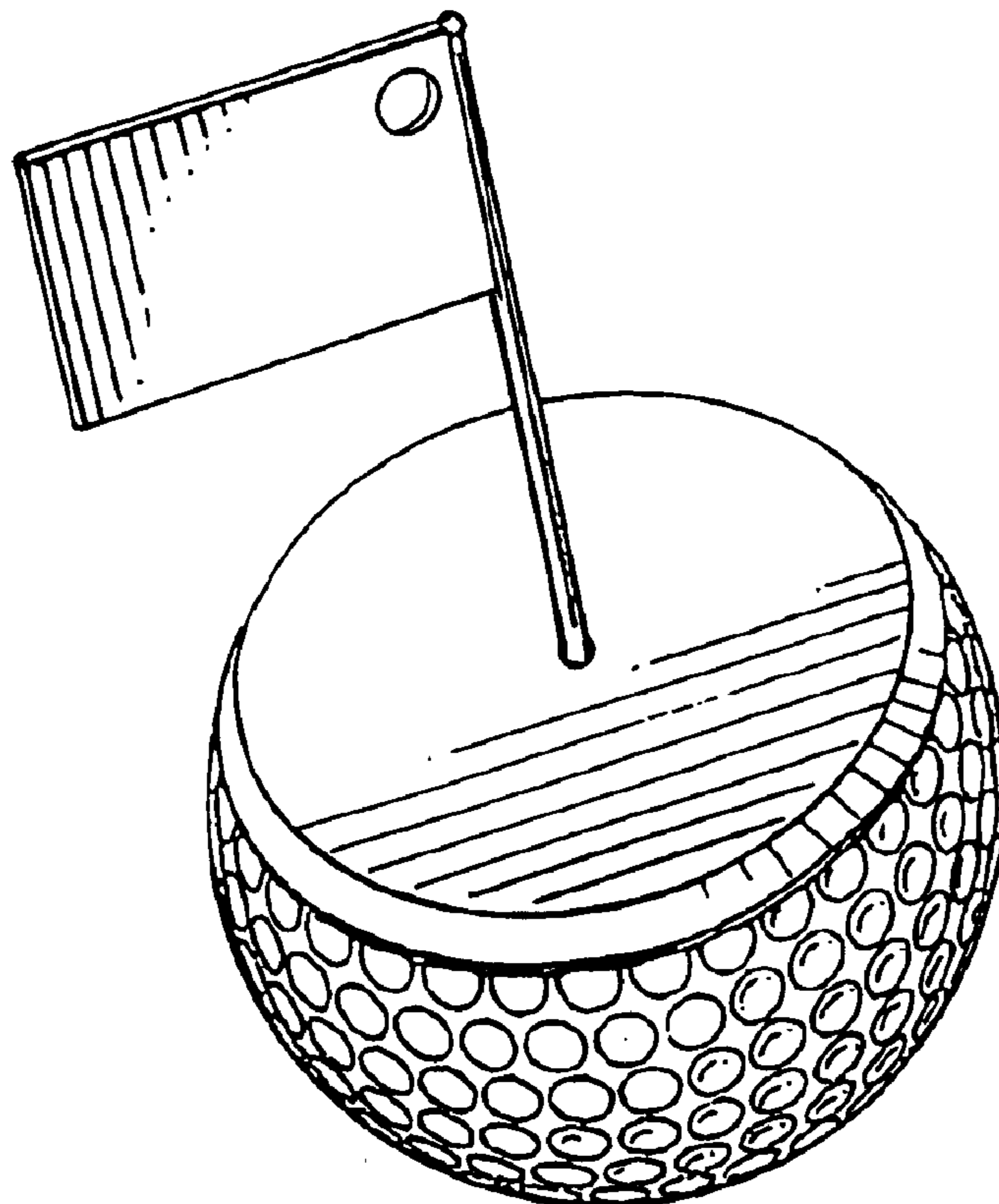
The right side view is identical to the left side view.

(56) **References Cited**

U.S. PATENT DOCUMENTS

D111,492 S * 9/1938 Hassenfeld D9/668
D209,425 S * 11/1967 Wells D9/668
D268,008 S * 2/1983 Witt, Jr. D9/668
D327,775 S * 7/1992 Turner D21/709
D358,324 S * 5/1995 Mitchell D9/668
D390,778 S * 2/1998 Lee D9/668
D400,440 S * 11/1998 Tucker D9/451
D404,195 S * 1/1999 Beals D9/307

1 Claim, 1 Drawing Sheet



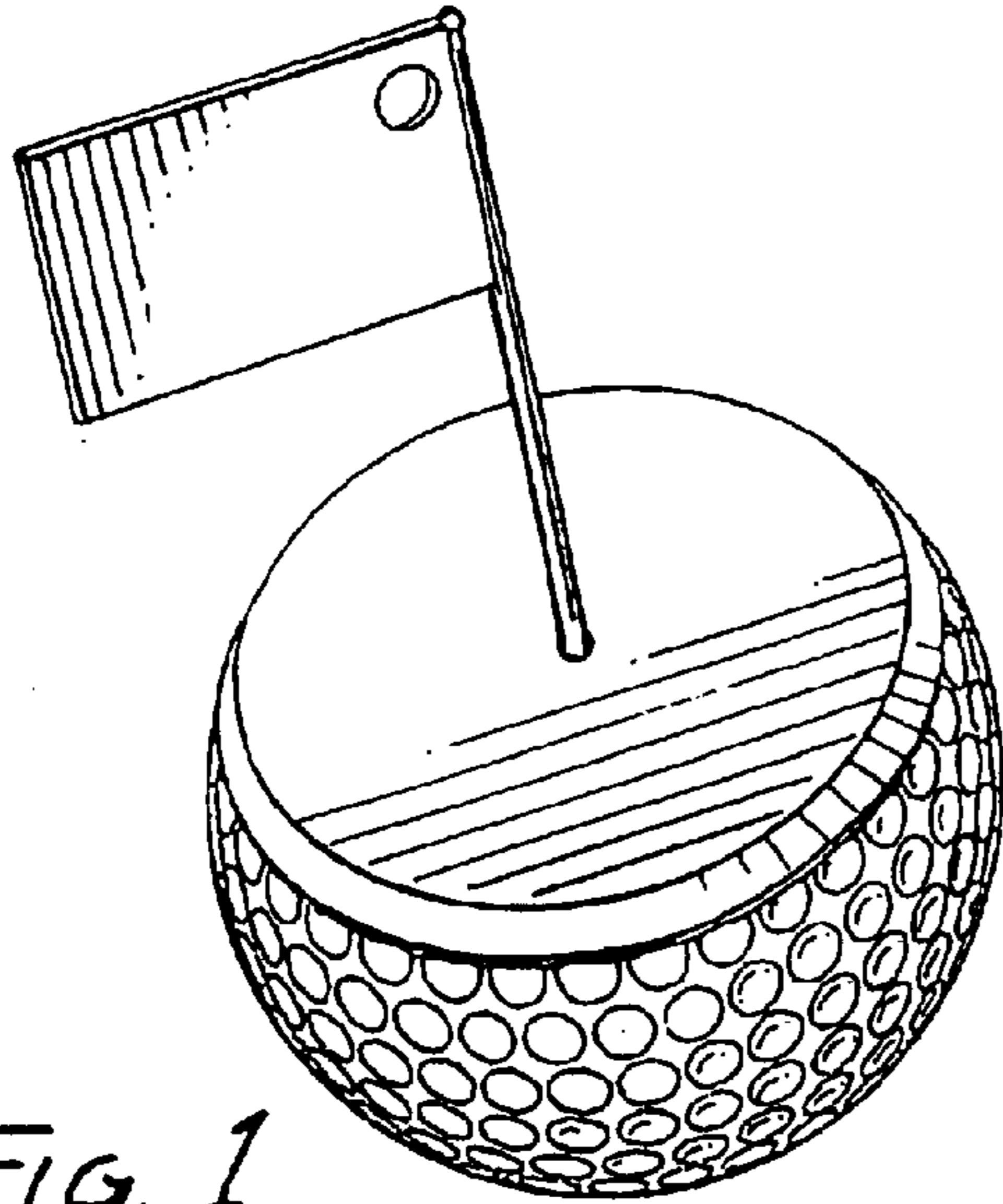


FIG. 1

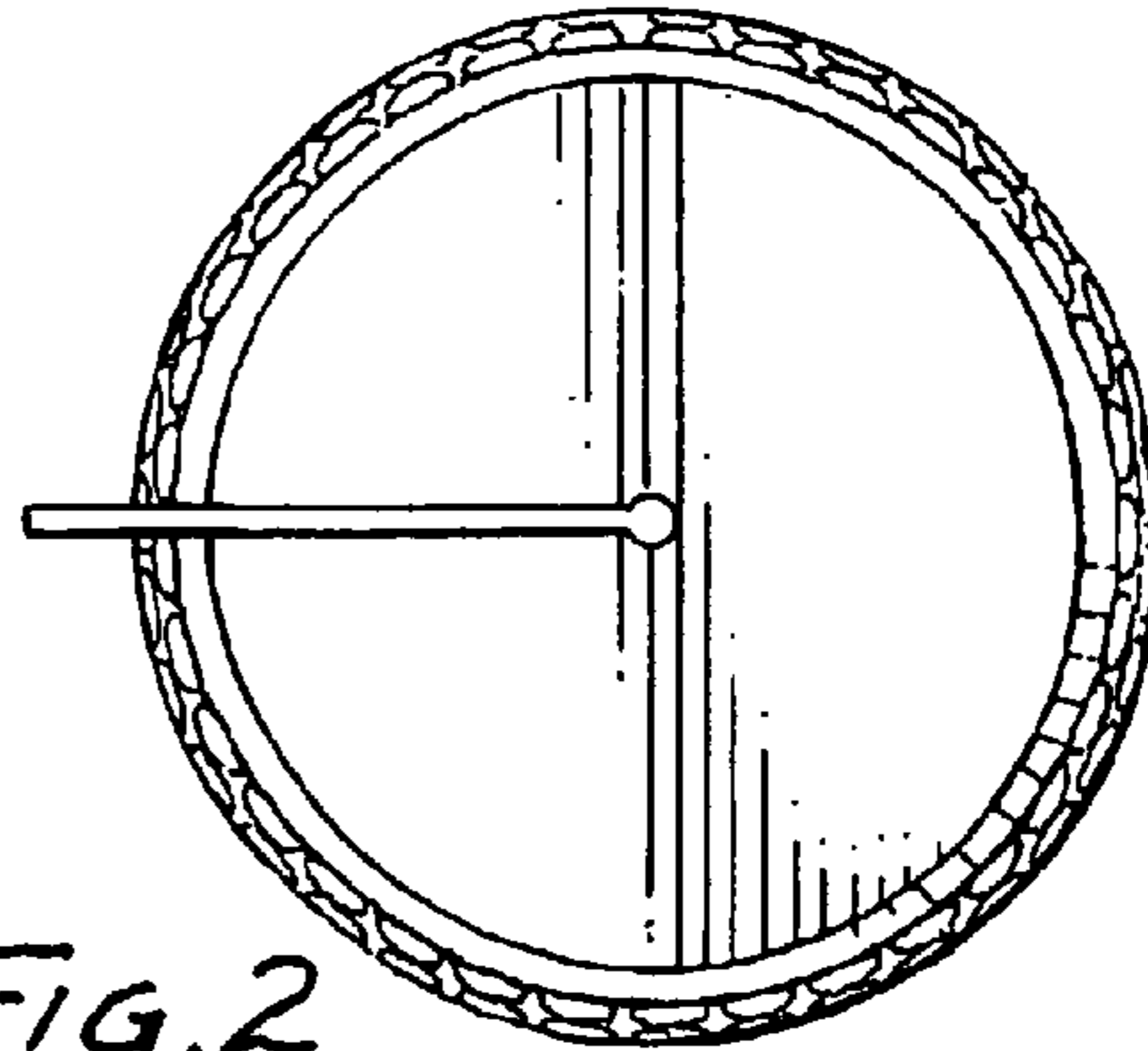


FIG. 2

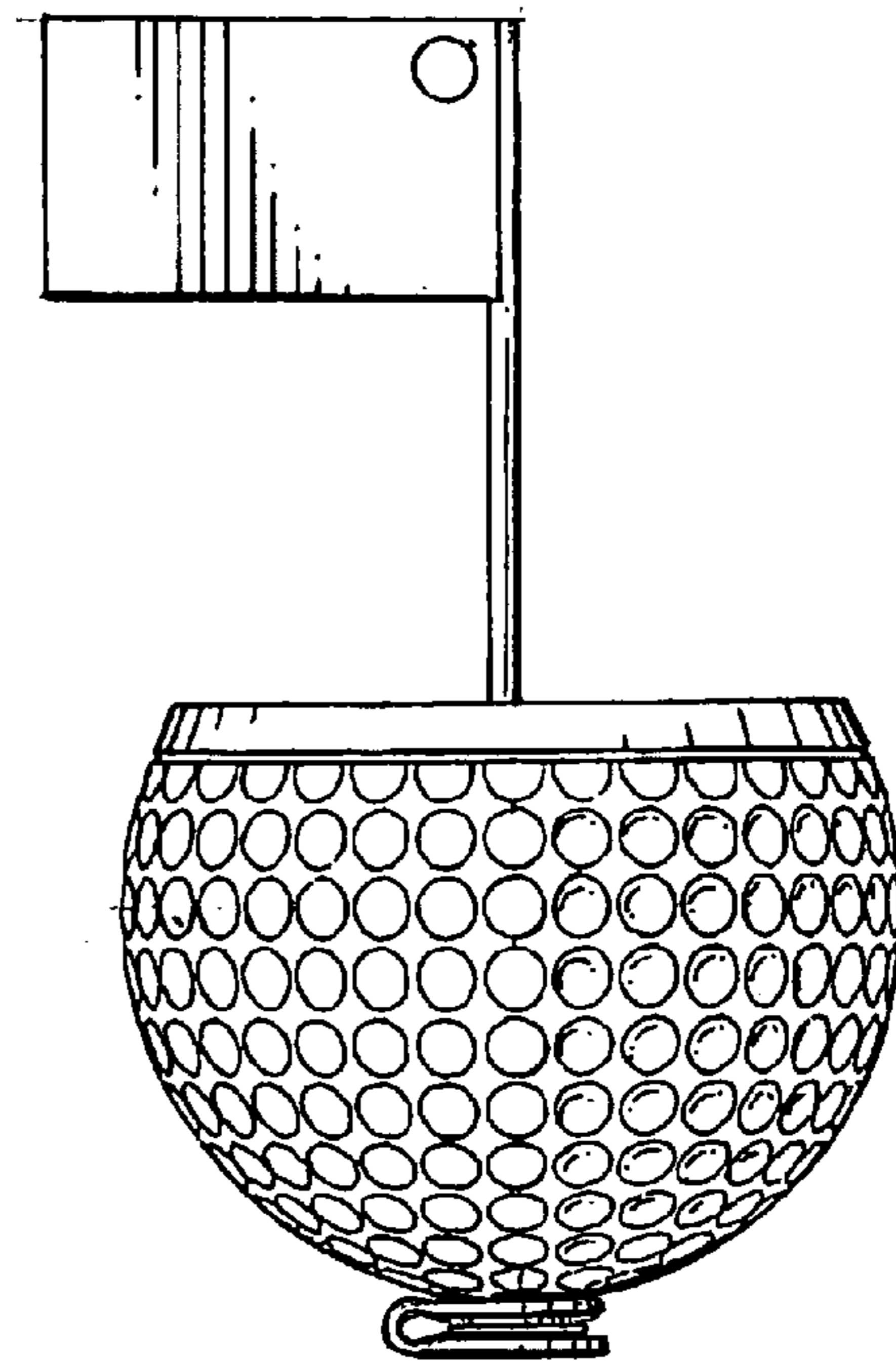


FIG. 3

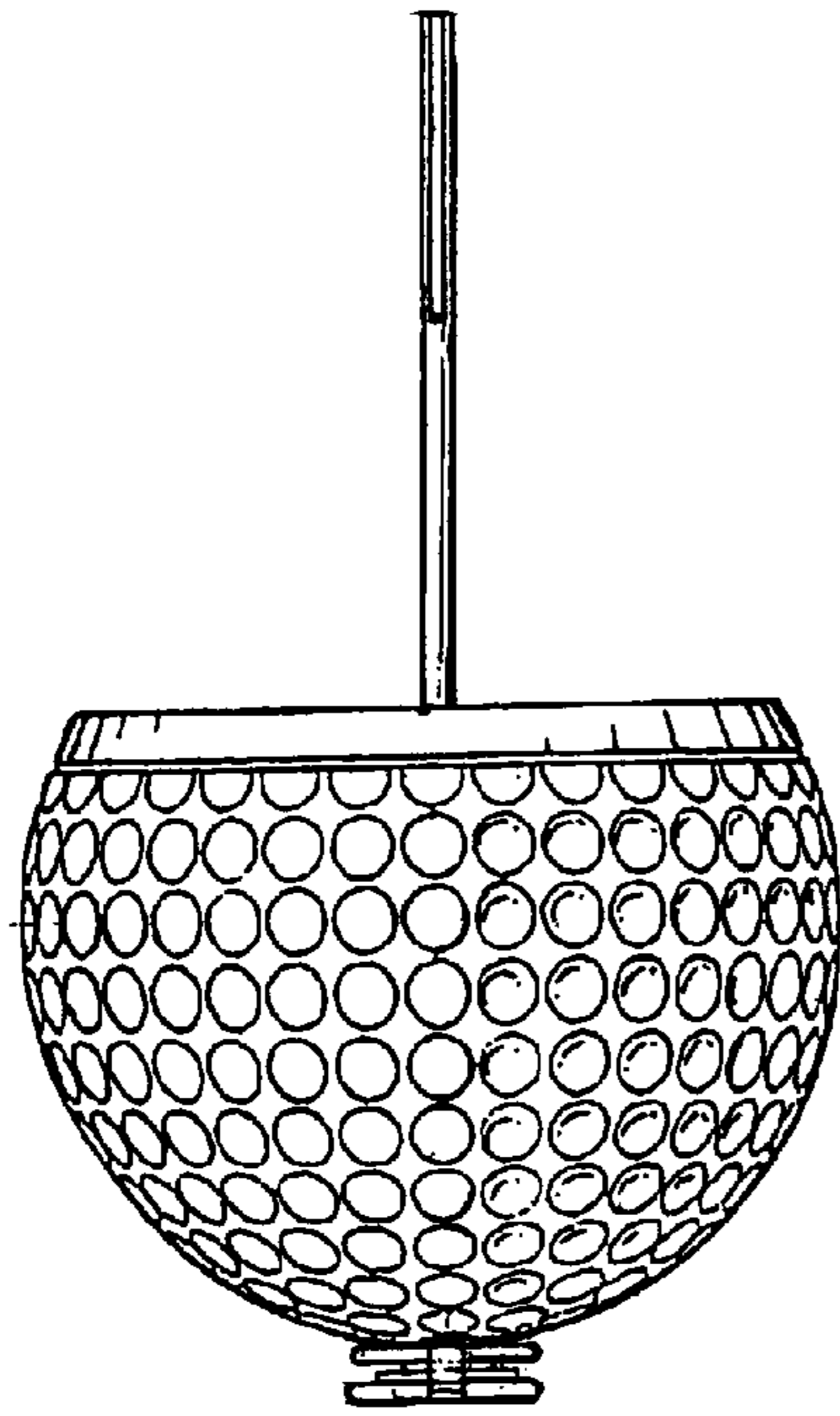


FIG. 5

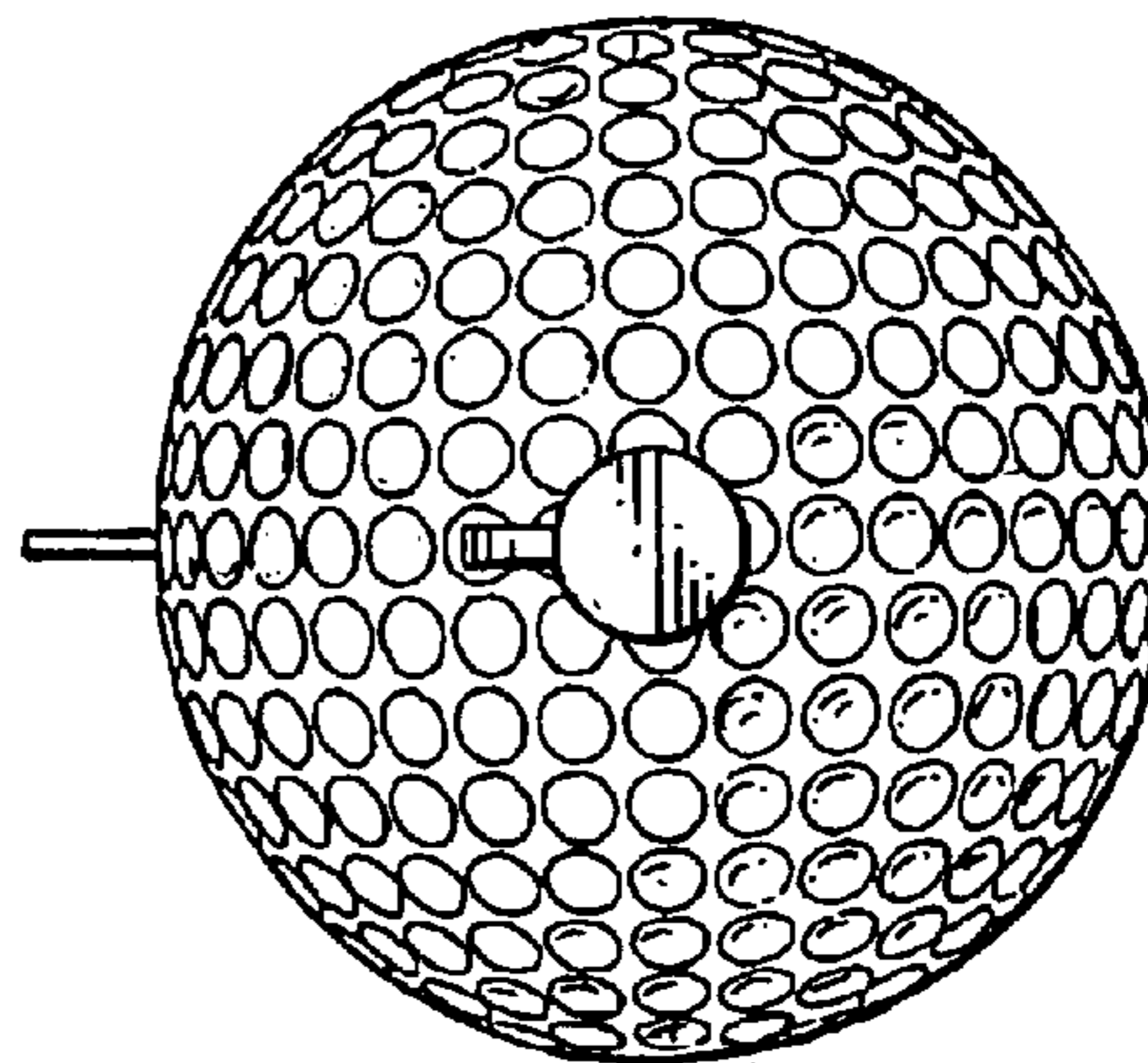


FIG. 4