

US00D507184S

(12) **United States Design Patent** (10) **Patent No.:** **US D507,184 S**
Beaver et al. (45) **Date of Patent:** **** *Jul. 12, 2005**

(54) **CONTAINER**

(75) Inventors: **Ted L Beaver**, Roselle, IL (US);
Theodore Guss, Lakeland, TN (US)

(73) Assignee: **Consolidated Container Company LP**,
Atlanta, GA (US)

(*) Notice: This patent is subject to a terminal disclaimer.

(**) Term: **14 Years**

(21) Appl. No.: **29/146,927**

(22) Filed: **May 1, 2001**

(51) **LOC (8) Cl.** **09-03**

(52) **U.S. Cl.** **D9/530**

(58) **Field of Search** D9/530, 537, 540,
D9/543, 549, 556-557, 569-570, 575, 499;
206/527; 215/200, 231, 243, 316, 329,
378, 381, 382, 383, 384, 385, 400; 220/9.1,
476-477, 200, 256, 260, 288-289, 377,
602, 662

(56) **References Cited**

U.S. PATENT DOCUMENTS

D238,754 S	*	2/1976	Frahm et al.	D9/1
4,993,565 A	*	2/1991	Ota et al.	215/384
D411,802 S	*	7/1999	Hestehave et al.	D9/500
D423,936 S	*	5/2000	Smith et al.	D9/520
D430,038 S	*	8/2000	Young et al.	D9/549
D431,470 S	*	10/2000	Henderson	D9/520
D435,455 S	*	12/2000	Gans	D9/541
D442,866 S	*	5/2001	Mooney et al.	D9/520
D443,521 S	*	6/2001	Bansal et al.	D9/543

OTHER PUBLICATIONS

U.S. Appl. No. 29/141,201, filed May 1, 2001; "CONTAINER", specification and drawings.

U.S. Patent Application filed Dec. 21, 2001; Beaver, et al., "Device and Method for Preventing Skidding of a Container", specification and drawings. U.S. Appl. No. 29/146,927.

#3533—5 Gallon Water Bottle; STC Plastics, Inc. web site—www.stcplastics.com, Dec. 5, 2001.

* cited by examiner

Primary Examiner—Stella Reid

Assistant Examiner—Daniel Bui

(74) *Attorney, Agent, or Firm*—Alston & Bird LLP

(57) **CLAIM**

The ornamental design for a container, as shown and described.

DESCRIPTION

FIG. 1 is a perspective view of a container showing the new design.

FIG. 2 is a left side elevational view of the container shown in FIG. 1, the right side elevational view being a mirror image of the left side elevational view.

FIG. 3 is a top plan view of the container shown in FIG. 1.

FIG. 4 is a front elevational view of the container shown in FIG. 1; and,

FIG. 5 is a rear elevational view of the container shown in FIG. 1.

The functional aspects of the textured areas and the thread at the container neck as shown in the Figures do not form a part of the claimed design.

1 Claim, 2 Drawing Sheets

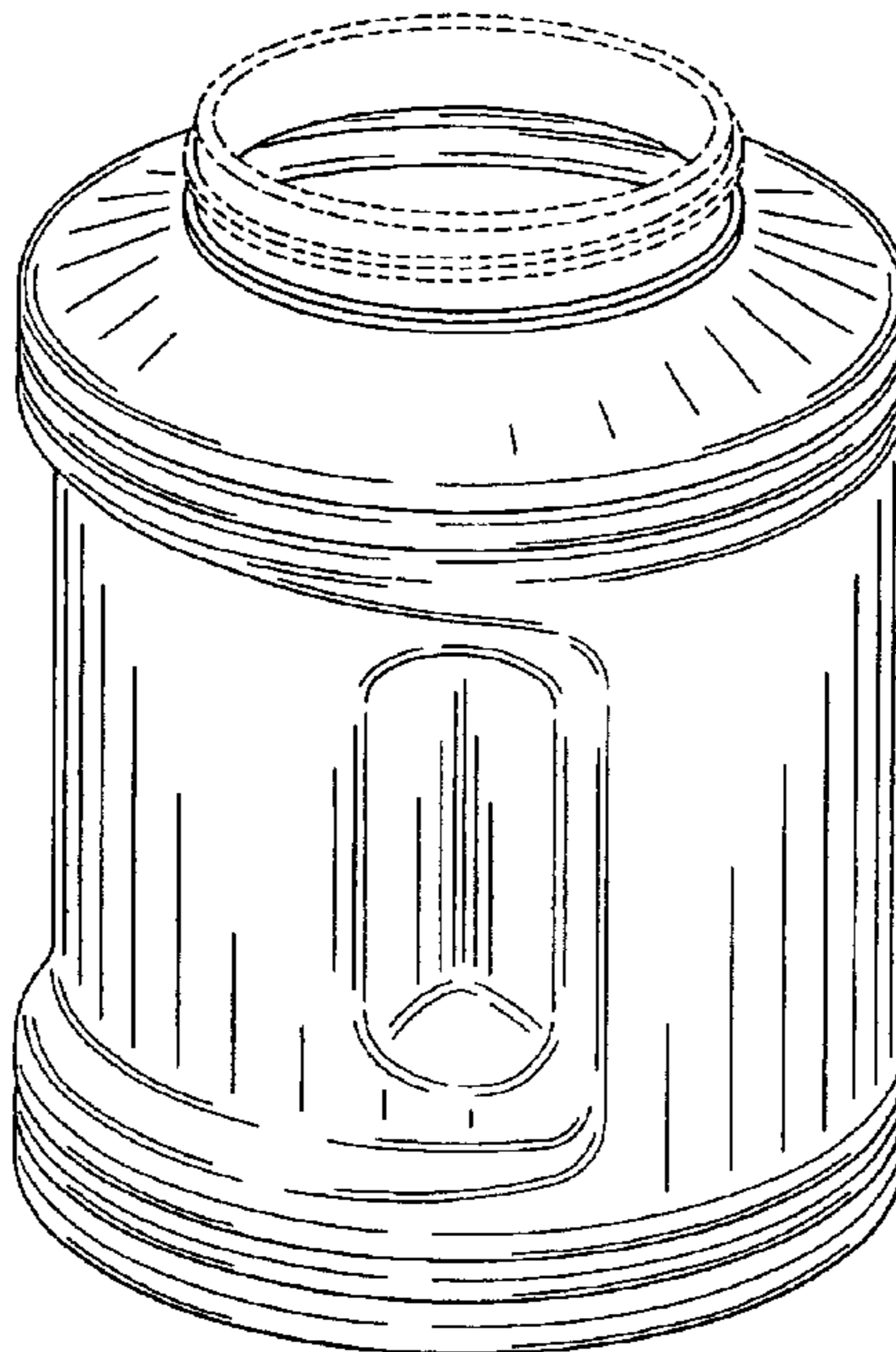


FIG.1

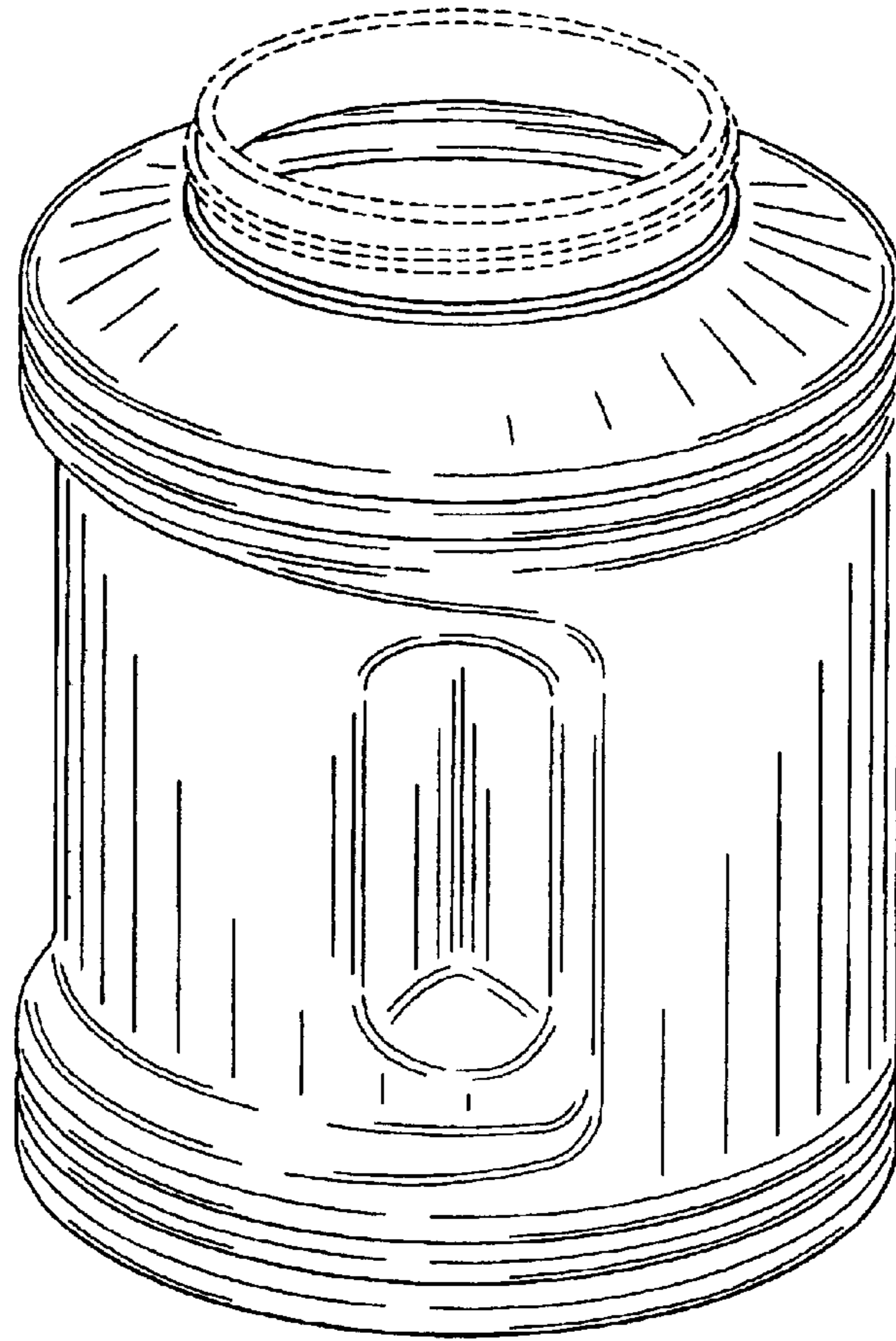


FIG.2

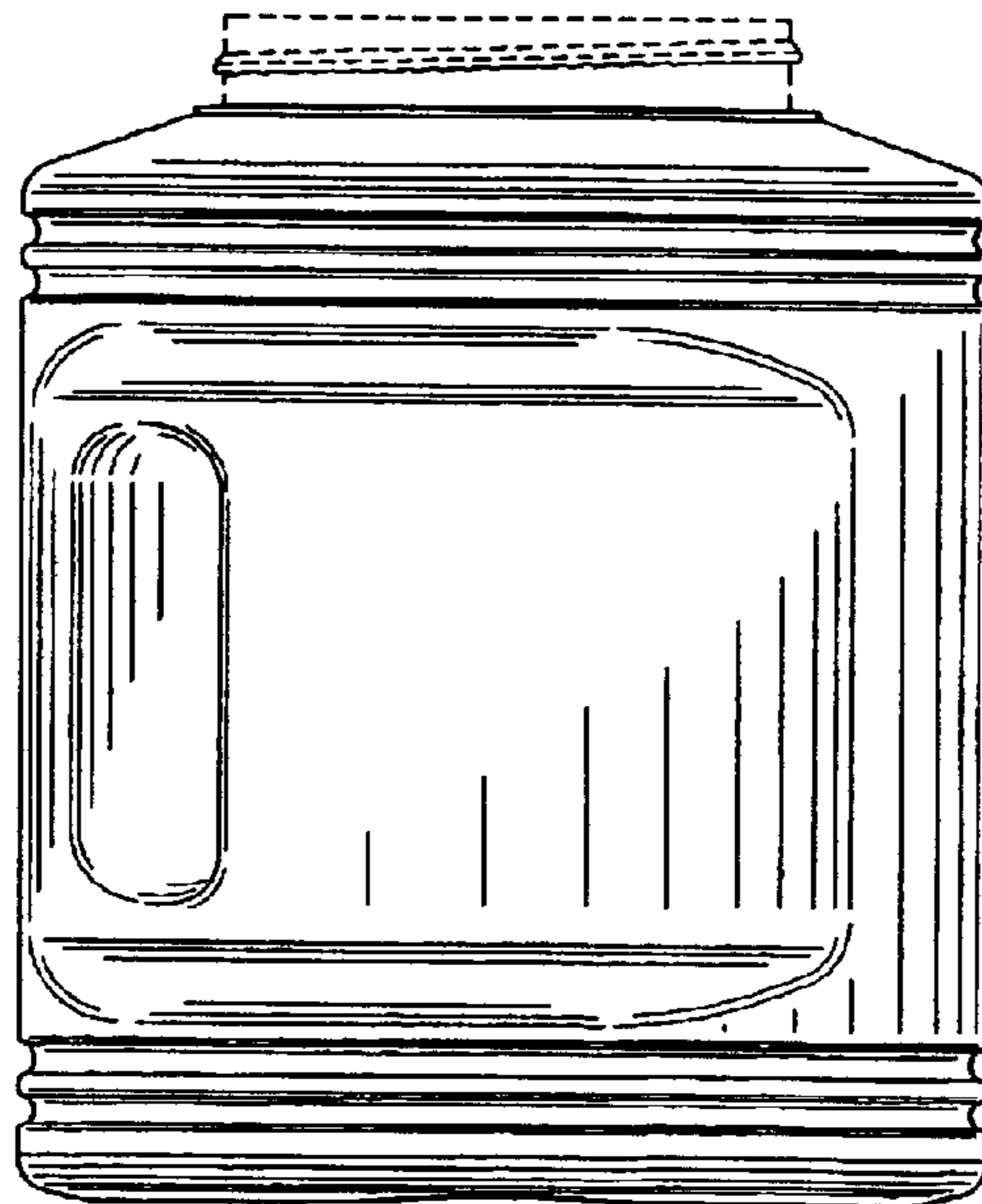


FIG. 3

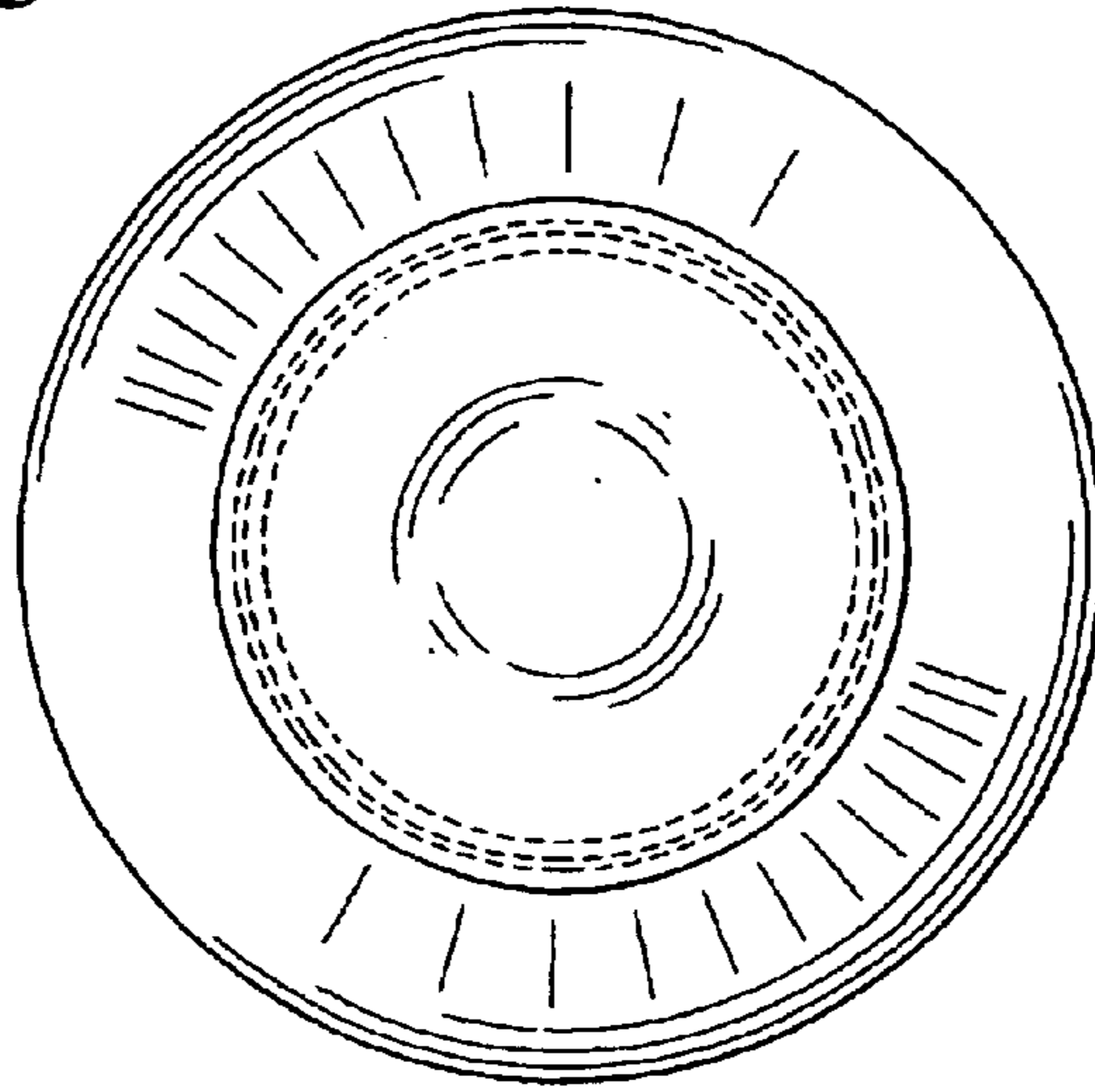


FIG. 4

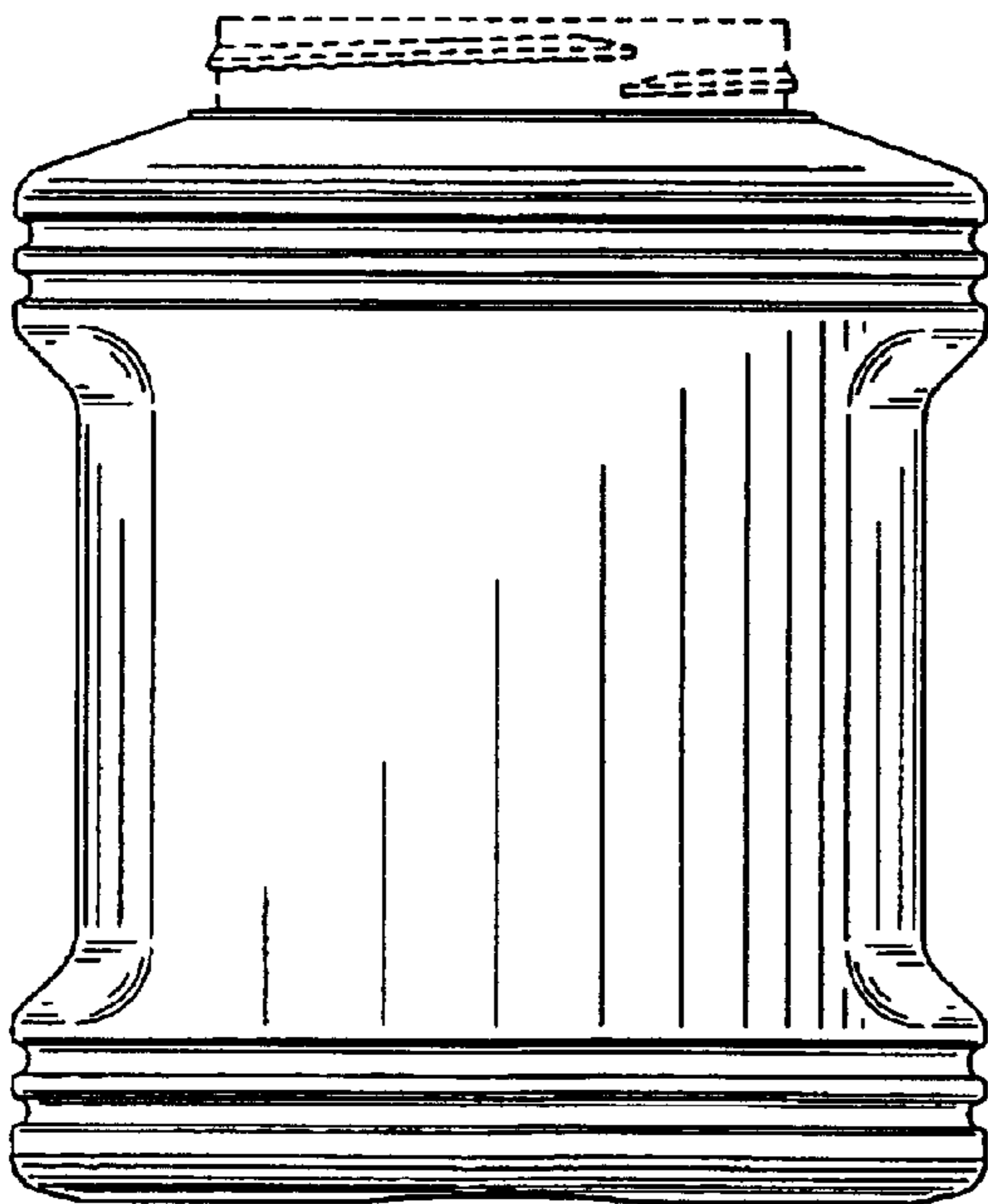


FIG. 5

