

US00D507183S

(12) **United States Design Patent**
Spellissy

(10) **Patent No.: US D507,183 S**

(45) **Date of Patent: ** Jul. 12, 2005**

(54) **SET OF CONTAINERS**

(75) **Inventor: Kevin Spellissy, Sparta, NJ (US)**

(73) **Assignee: Fuji Hunt Photographic Chemicals, Inc., Allendale, NJ (US)**

(**) **Term: 14 Years**

(21) **Appl. No.: 29/188,064**

(22) **Filed: Aug. 13, 2003**

(51) **LOC (8) Cl. 09-01**

(52) **U.S. Cl. D9/516; D9/738; D9/528; D9/531; D9/430**

(58) **Field of Search D9/516-517, 526-528, D9/530-531, 539-540, 542-543, 553, 556, 559, 566, 570, 574-575, 430-432, 738-740; D7/614, 686; 215/381-384, 396, 398, 400**

(56) **References Cited**

U.S. PATENT DOCUMENTS

D197,190 S	*	12/1963	Natale	D9/531
D208,824 S	*	10/1967	Platte	D9/531
D212,319 S	*	10/1968	Hills	D9/528
3,425,542 A	*	2/1969	Bolen	206/432
D215,410 S	*	9/1969	Hills	D9/531
D221,514 S	*	8/1971	Leary	D9/528
D230,708 S	*	3/1974	Hutter et al.	D9/528
3,876,112 A	*	4/1975	Kramer	220/23.4 X
4,103,358 A		7/1978	Gacki et al.		
4,197,942 A		4/1980	Gacki et al.		
RE30,610 E		5/1981	Gacki et al.		
4,271,965 A		6/1981	Brambley et al.		

D275,367 S	*	9/1984	Holewinski	D9/741 X
4,488,582 A	*	12/1984	Schilling	141/95
D302,523 S	*	8/1989	Suhajda	D9/528
5,022,547 A	*	6/1991	Spangler et al.	220/23.4
D318,422 S	*	7/1991	Rumney	D9/559
D328,168 S	*	7/1992	Bartle	D9/430 X
D459,990 S	*	7/2002	Young et al.	D9/742
D481,837 S	*	11/2003	Iafelice	D30/199
D486,732 S	*	2/2004	Borkoski	D9/430
D493,711 S	*	8/2004	Foster	D9/738
D495,598 S	*	9/2004	Smith	D9/430

* cited by examiner

Primary Examiner—Carol Rademaker

(74) *Attorney, Agent, or Firm*—Burns, Doane, Swecker & Mathis, L.L.P.

(57) **CLAIM**

The ornamental design for a set of containers, as shown and described.

DESCRIPTION

FIG. 1 is a front elevational view of four different containers that form a set of containers showing my new design.

FIG. 2 is a rear elevational view thereof.

FIG. 3 is a right side elevational view thereof.

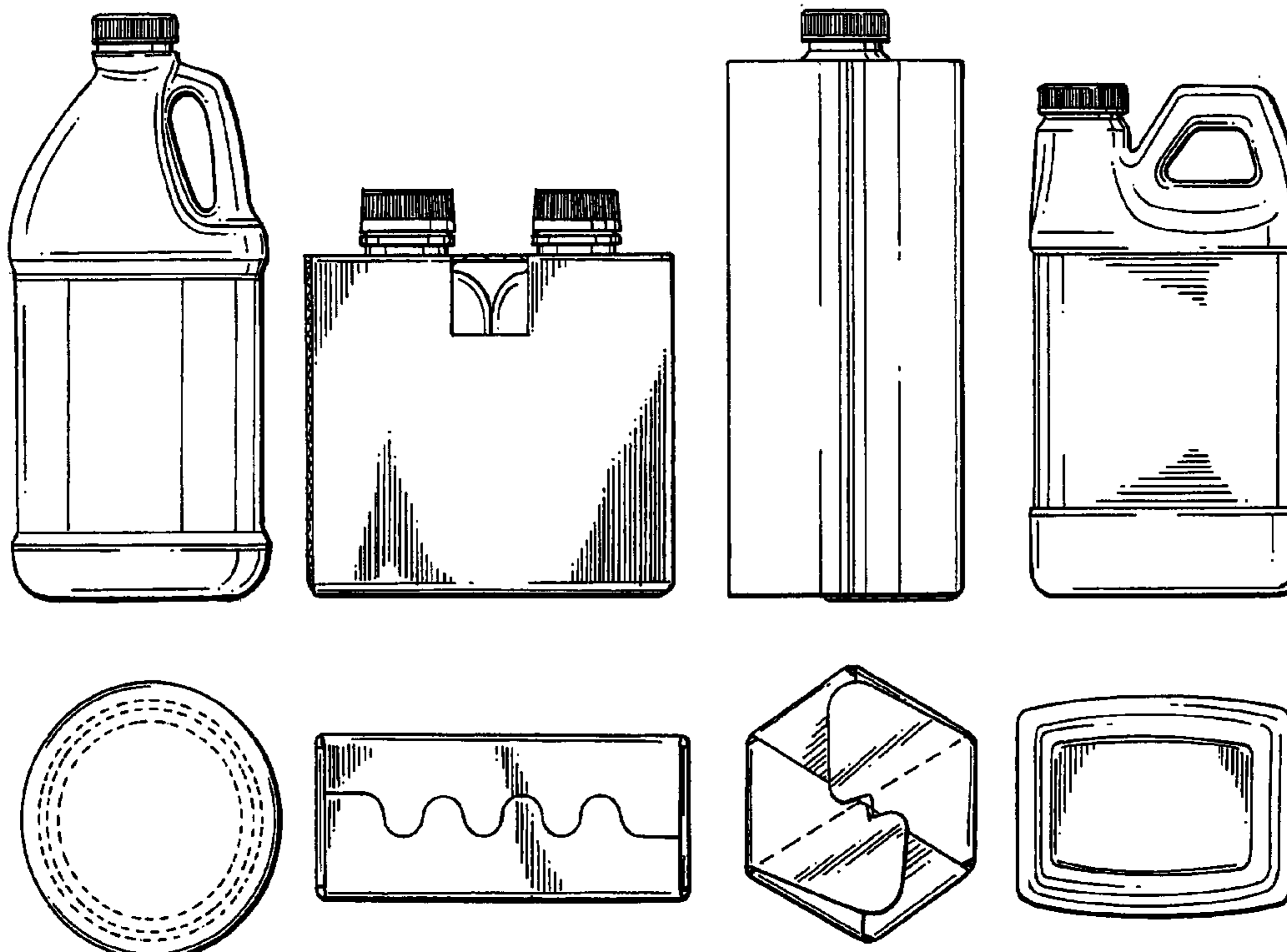
FIG. 4 is a left side elevational view thereof.

FIG. 5 is a top plan view thereof; and,

FIG. 6 is a bottom plan view thereof.

The broken lines shown in the FIG. 6 drawing view are for environmental purposes only and form no part of the claimed design.

1 Claim, 5 Drawing Sheets



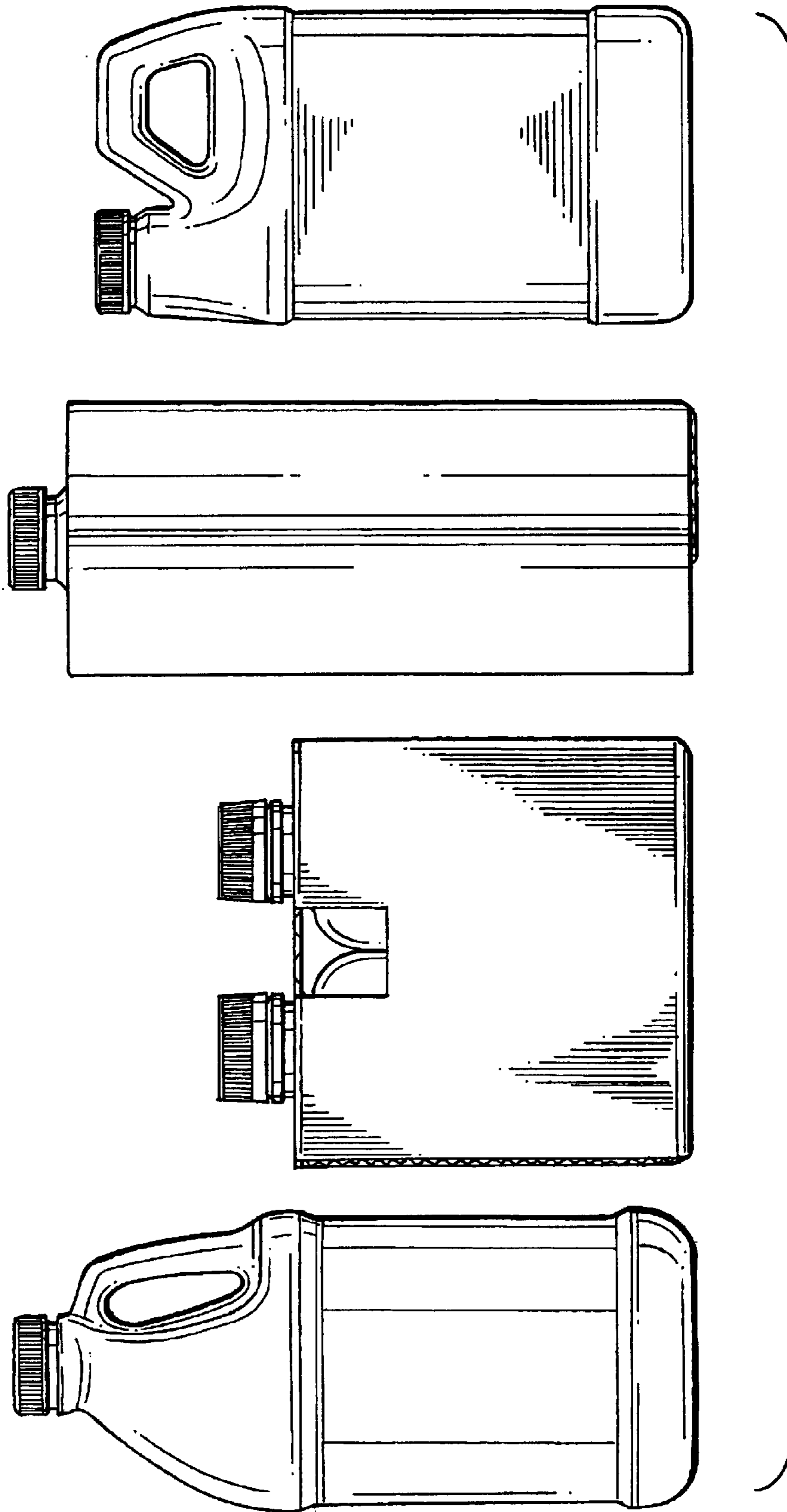


FIG. 1

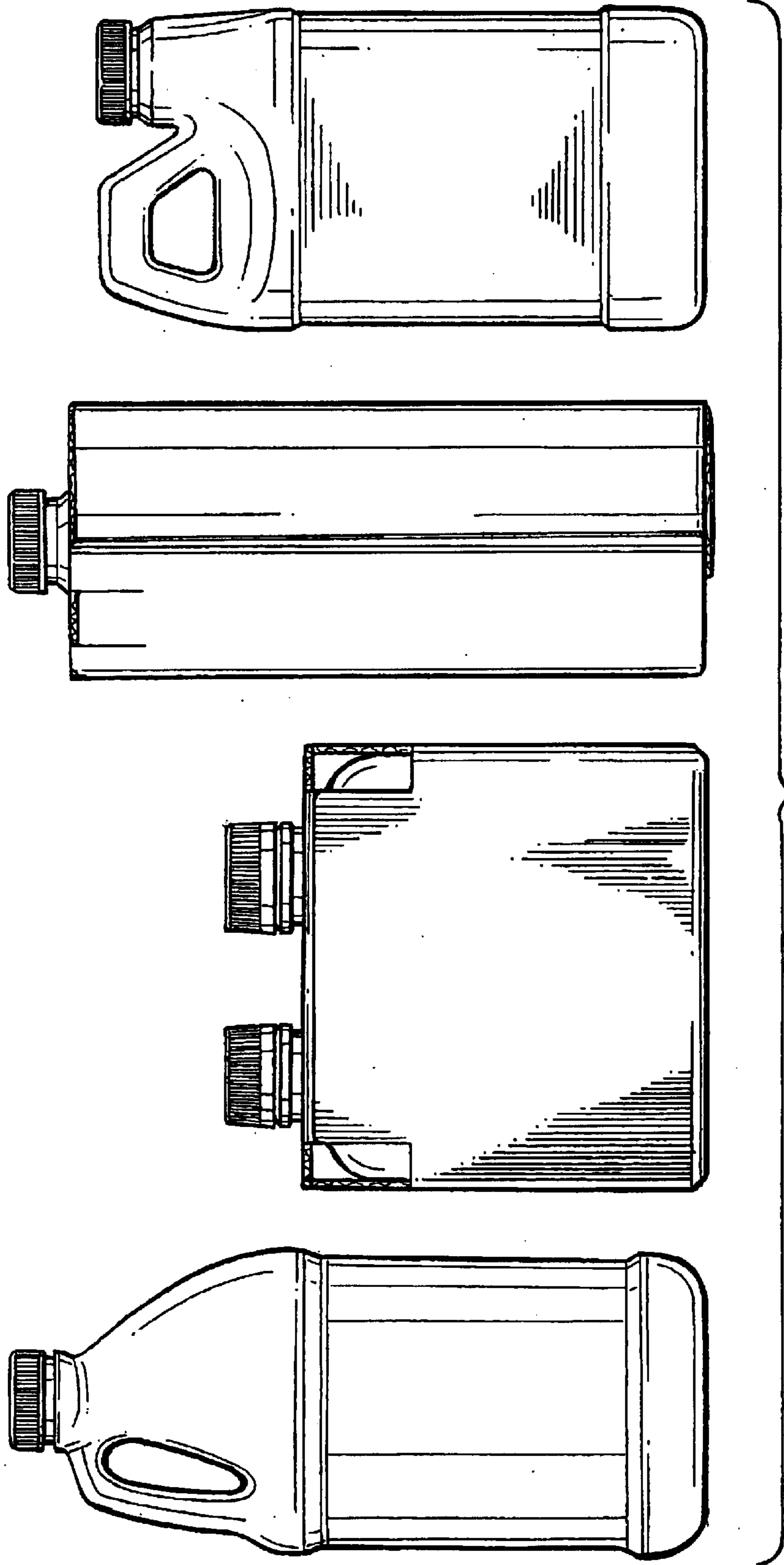


FIG. 2

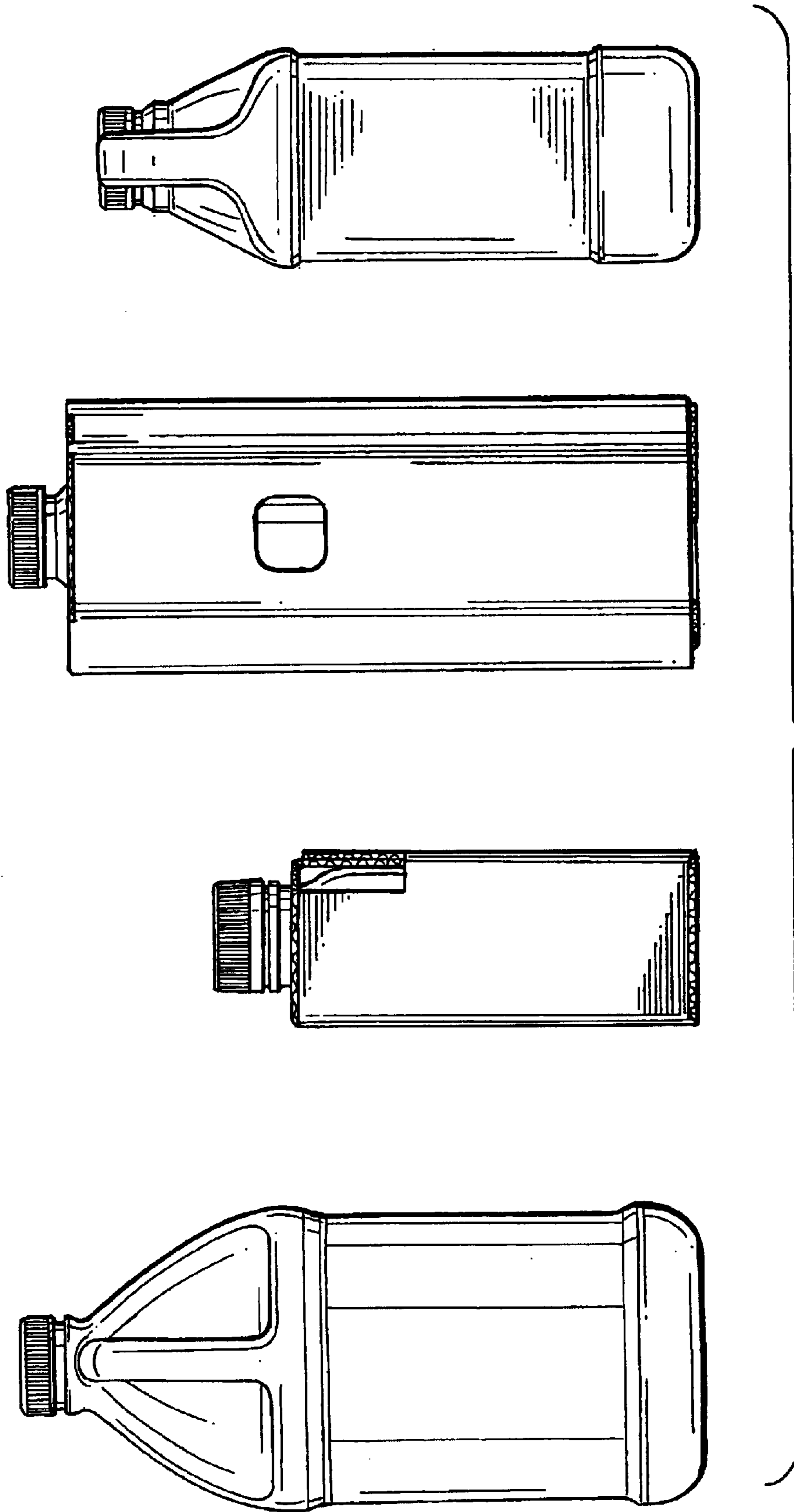


FIG. 3

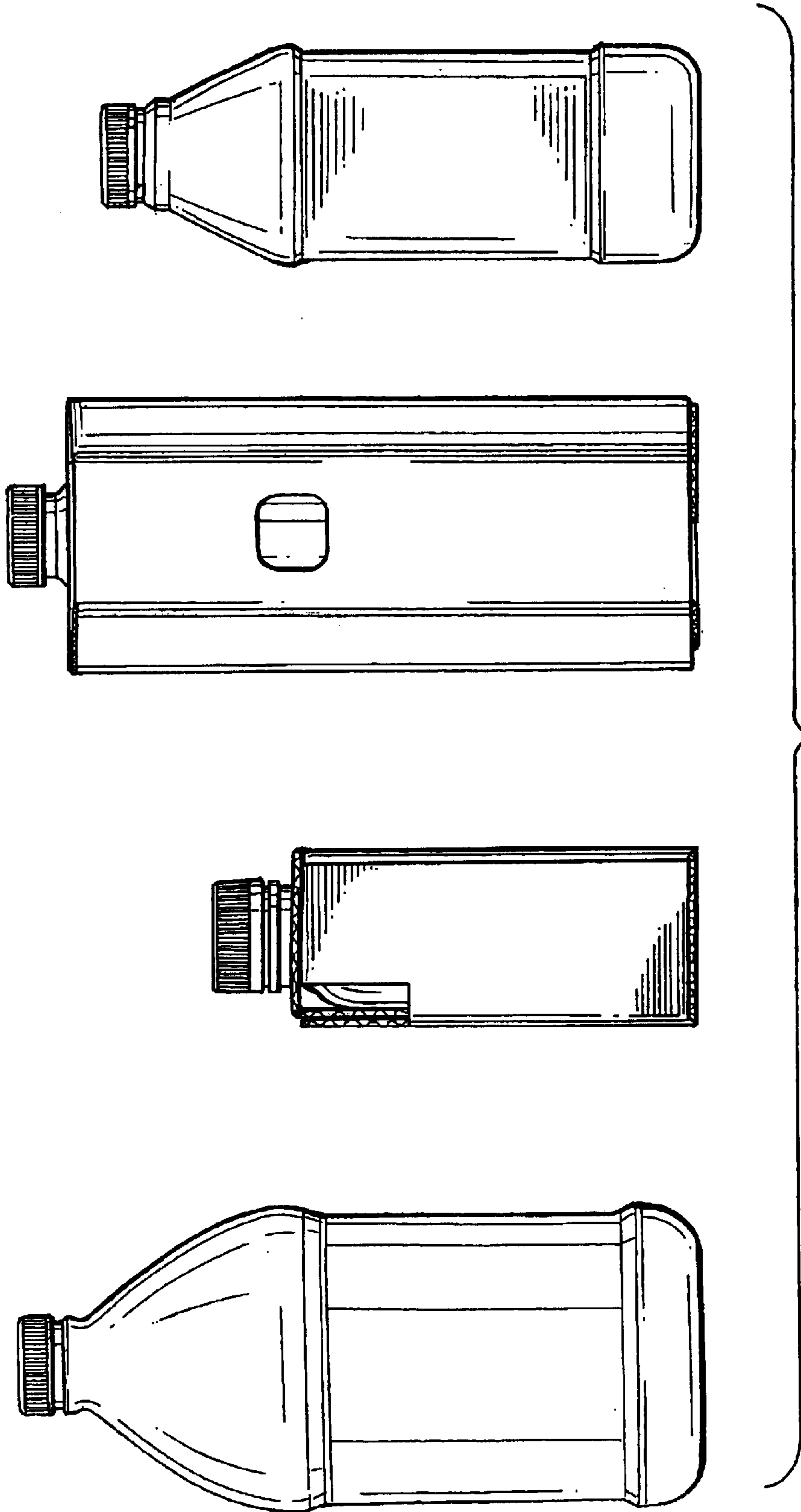


FIG. 4

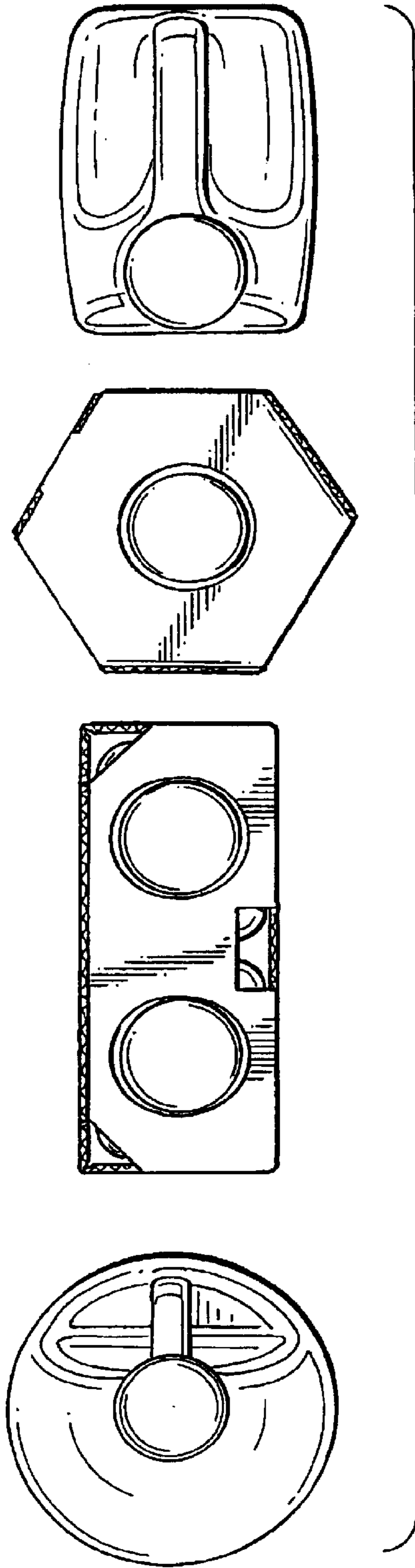


FIG. 5

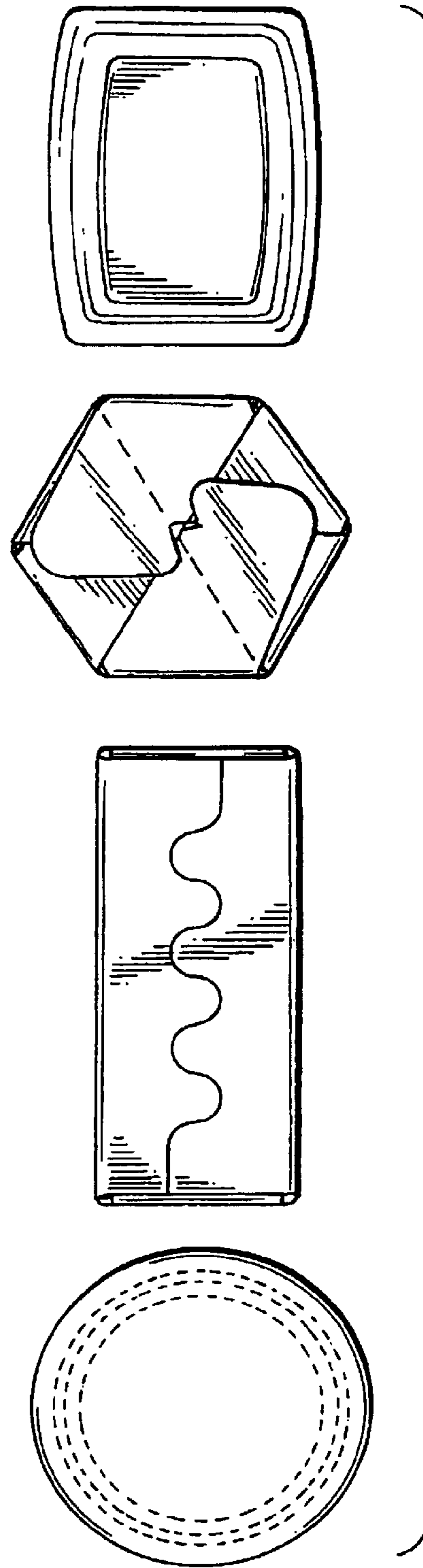


FIG. 6