

US00D507181S

(12) **United States Design Patent**
Malik

(10) **Patent No.:** **US D507,181 S**
(45) **Date of Patent:** **** Jul. 12, 2005**

(54) **ORNAMENTAL COVER FOR A BEVERAGE CONTAINER**

(76) **Inventor:** **Neil K. Malik**, 55 Chestnut St., #1, Cambridge, MA (US) 02139

(**) **Term:** **14 Years**

(21) **Appl. No.:** **29/202,297**

(22) **Filed:** **Mar. 29, 2004**

(51) **LOC (8) Cl.** **09-07**

(52) **U.S. Cl.** **D9/451**

(58) **Field of Search** 215/200, 228, 215/229, 388; D2/866, 873, 887; D9/434-436, 441, 445, 451, 517, 618, 631, 632; D3/271.4; D12/199, 83; 54/80.2

(56) **References Cited**

U.S. PATENT DOCUMENTS

D314,492 S	*	2/1991	Weller et al.	D9/632
D327,817 S	*	7/1992	Paullin	D9/632
D330,857 S	*	11/1992	Kidd	D9/632
D379,149 S	*	5/1997	Powell et al.	D9/451
D391,852 S	*	3/1998	Tucker	D9/451
D416,799 S	*	11/1999	Adams	D9/451
D419,449 S	*	1/2000	Adams	D9/451
D471,060 S	*	3/2003	Salsman	D9/451

* cited by examiner

Primary Examiner—Robert M. Spear
Assistant Examiner—Susan Bennett-Hattan
(74) *Attorney, Agent, or Firm*—Salter & Michaelson

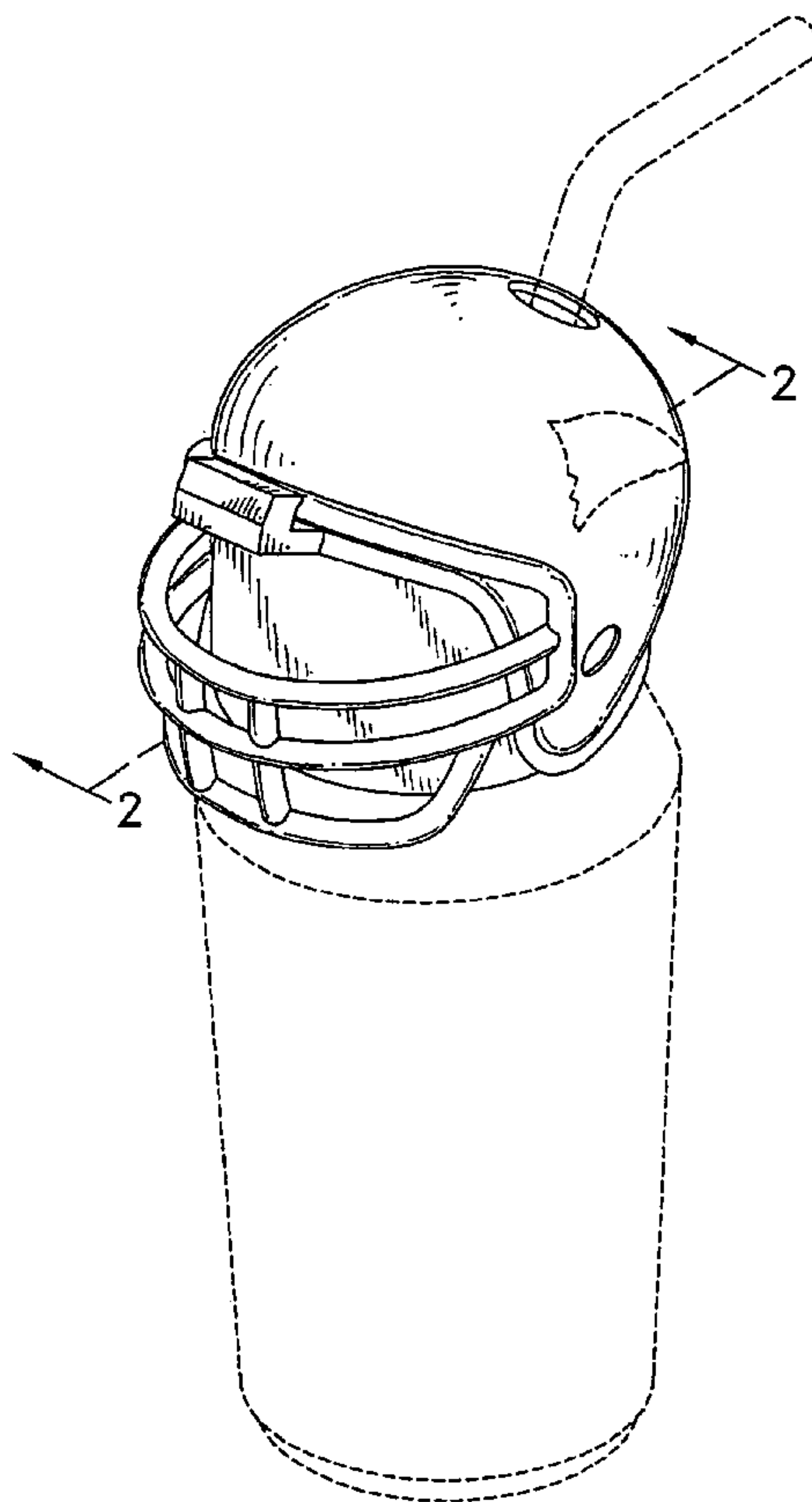
(57) **CLAIM**

The ornamental design for an ornamental cover for a beverage container, as shown and described.

DESCRIPTION

FIG. 1 is a perspective view of an ornamental cover for a beverage container showing my new design in an installed position on a beverage can;
FIG. 2 is a sectional view thereof;
FIG. 3 is an exploded perspective view thereof;
FIG. 4 is a left side elevational view thereof;
FIG. 5 is a right side elevational view thereof;
FIG. 6 is a top plan view thereof;
FIG. 7 is a bottom plan view thereof;
FIG. 8 is a front elevational view thereof;
FIG. 9 is a back elevational view thereof;
FIG. 10 is an exploded perspective view thereof, shown in an alternate environment; and,
FIG. 11 is a perspective view thereof showing my new design in an installed position on an beverage cup.
The portions shown in broken lines are included for illustrative purposes only and form no part of the claimed design.

1 Claim, 8 Drawing Sheets



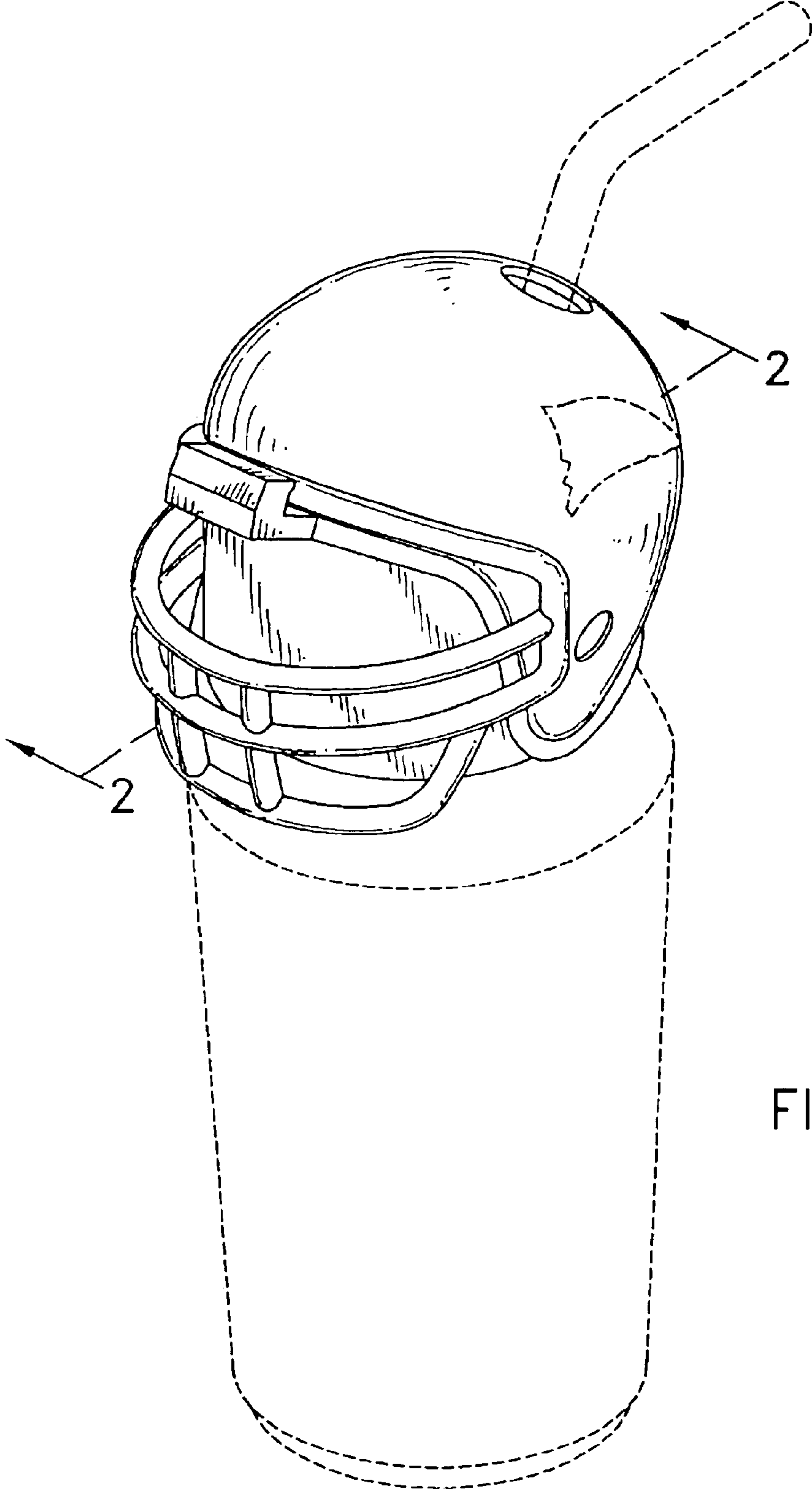


FIG. 1

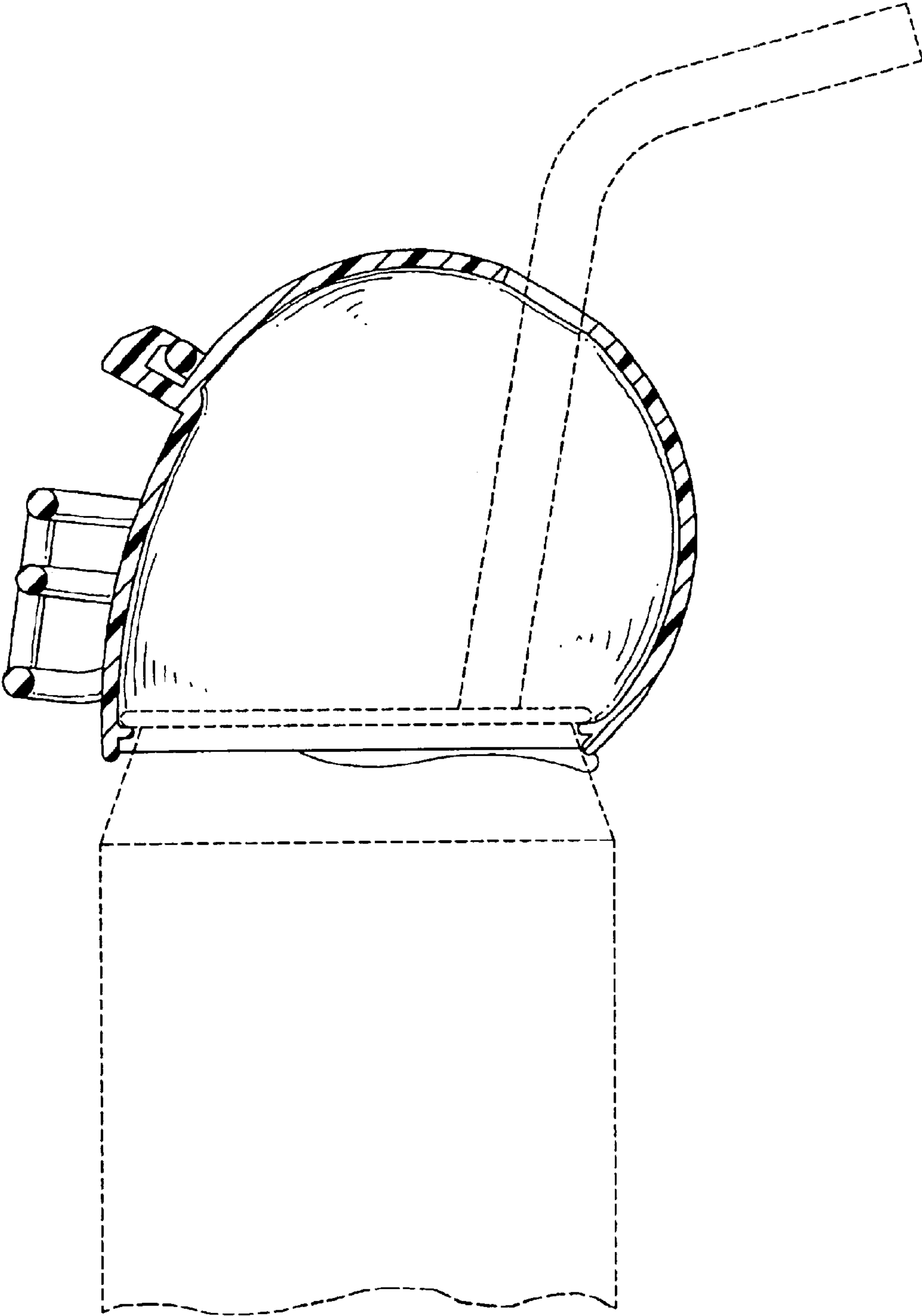


FIG. 2

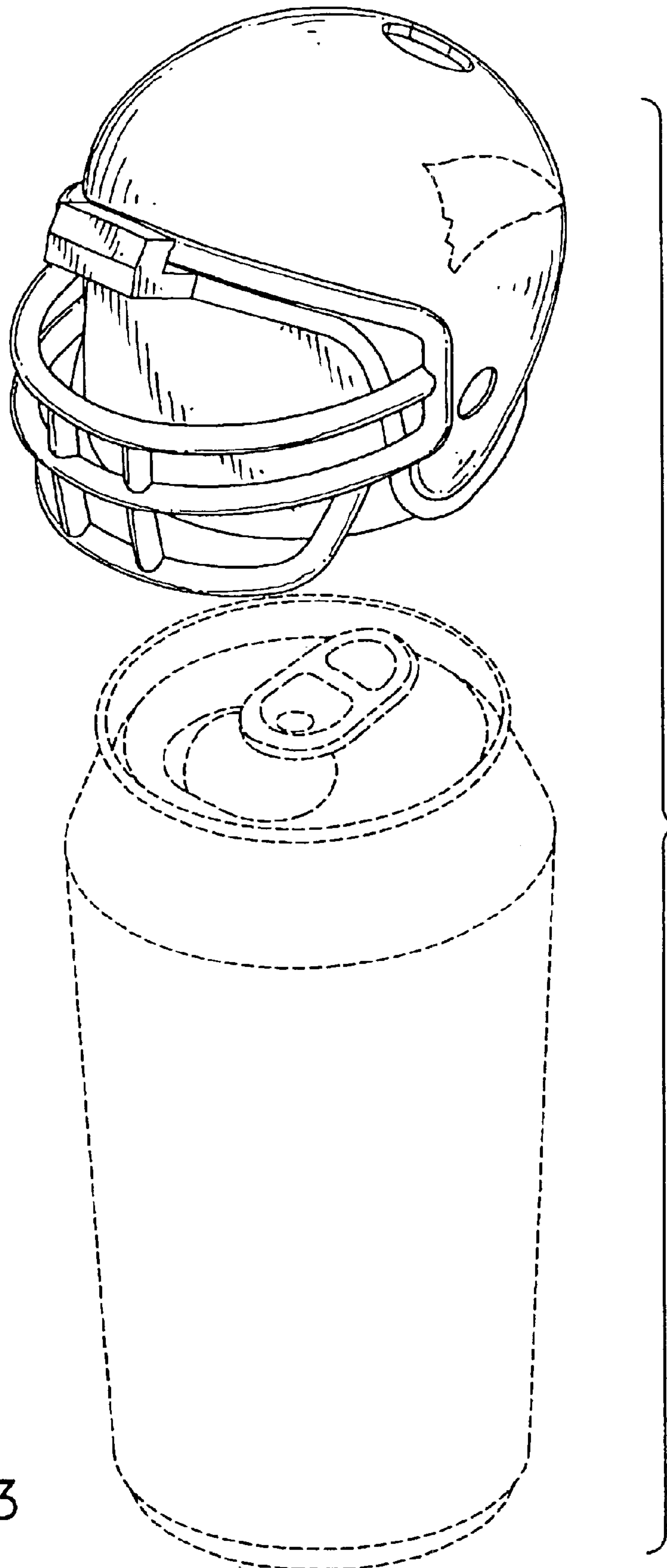


FIG. 3

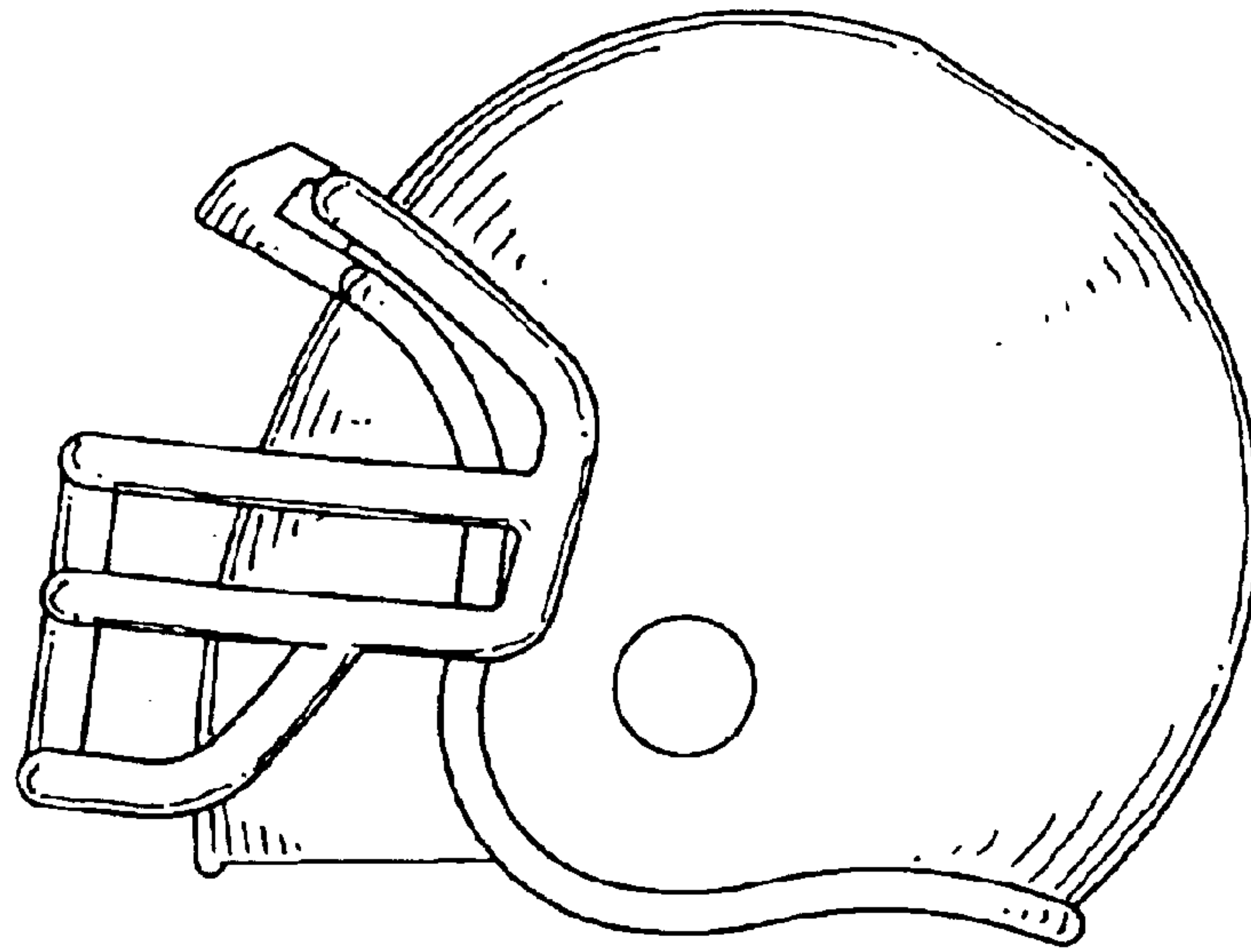


FIG. 4

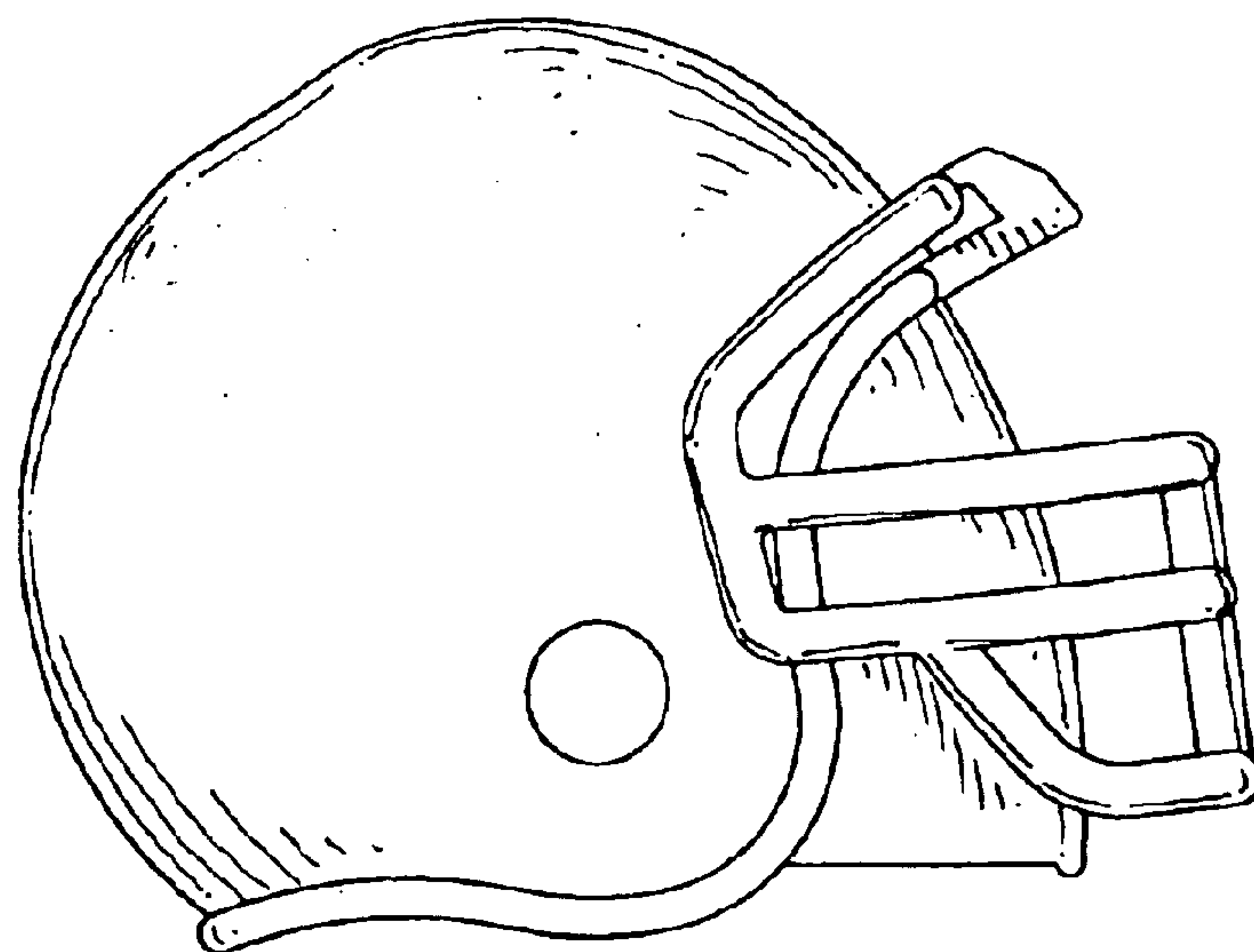


FIG. 5

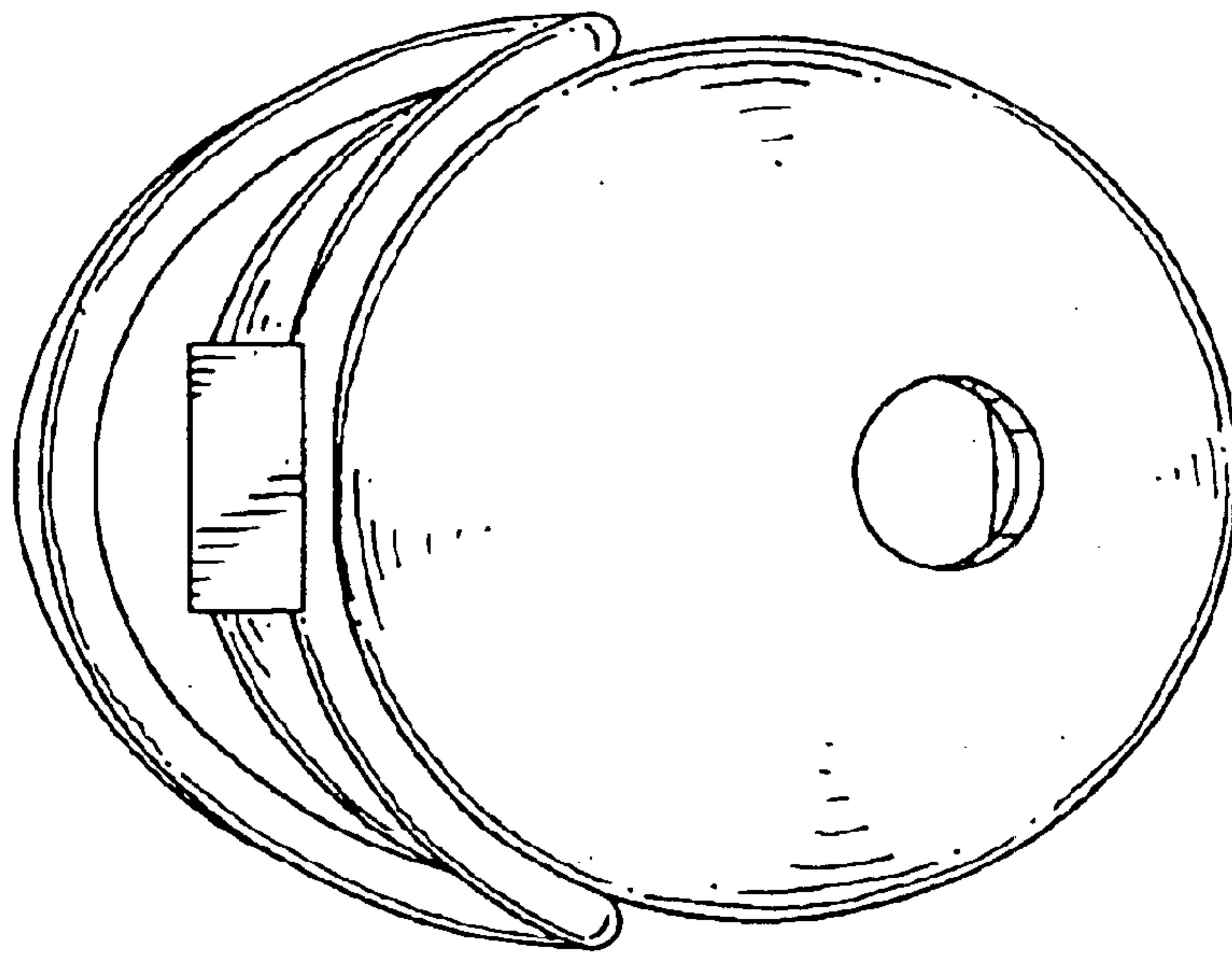


FIG. 6

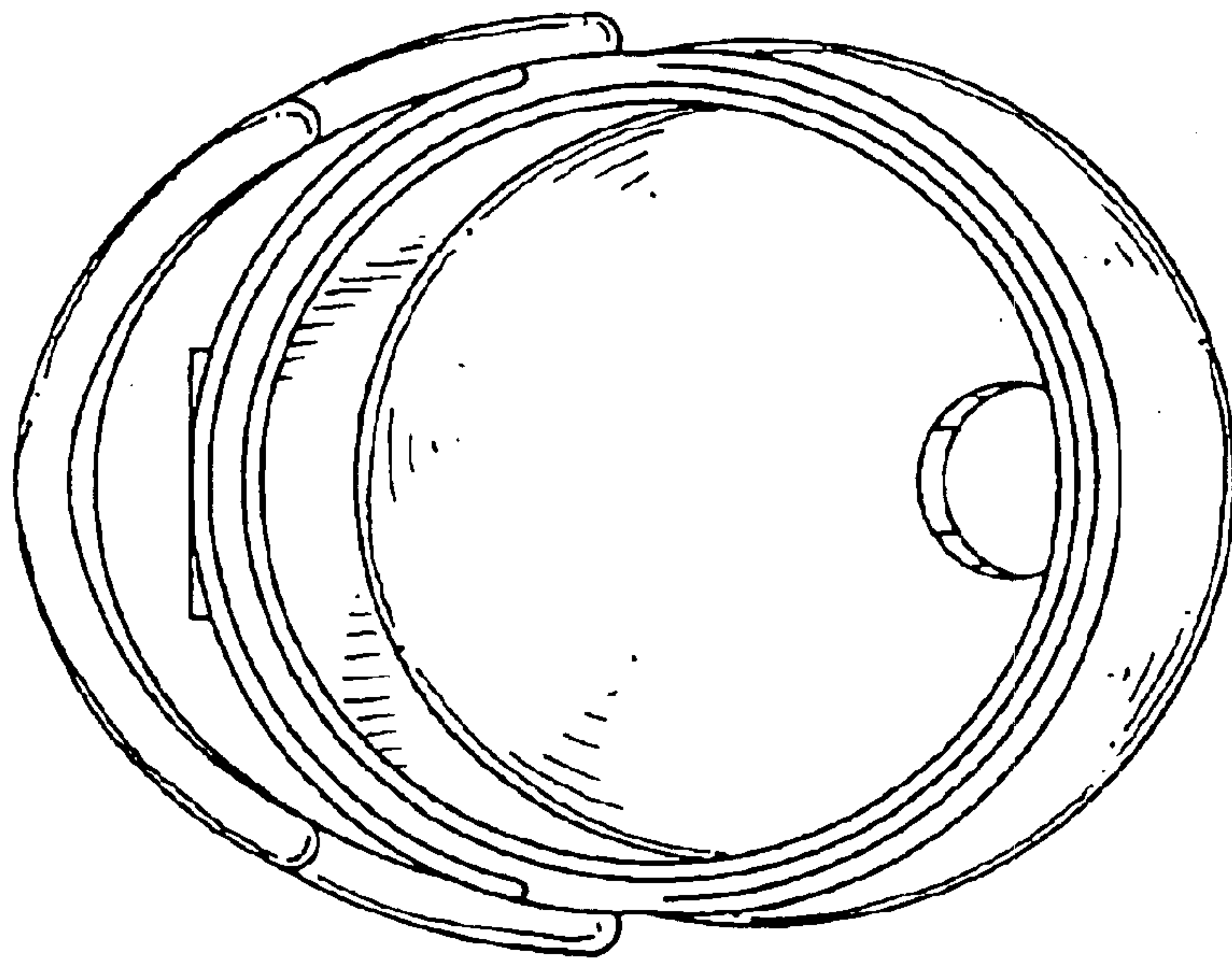


FIG. 7

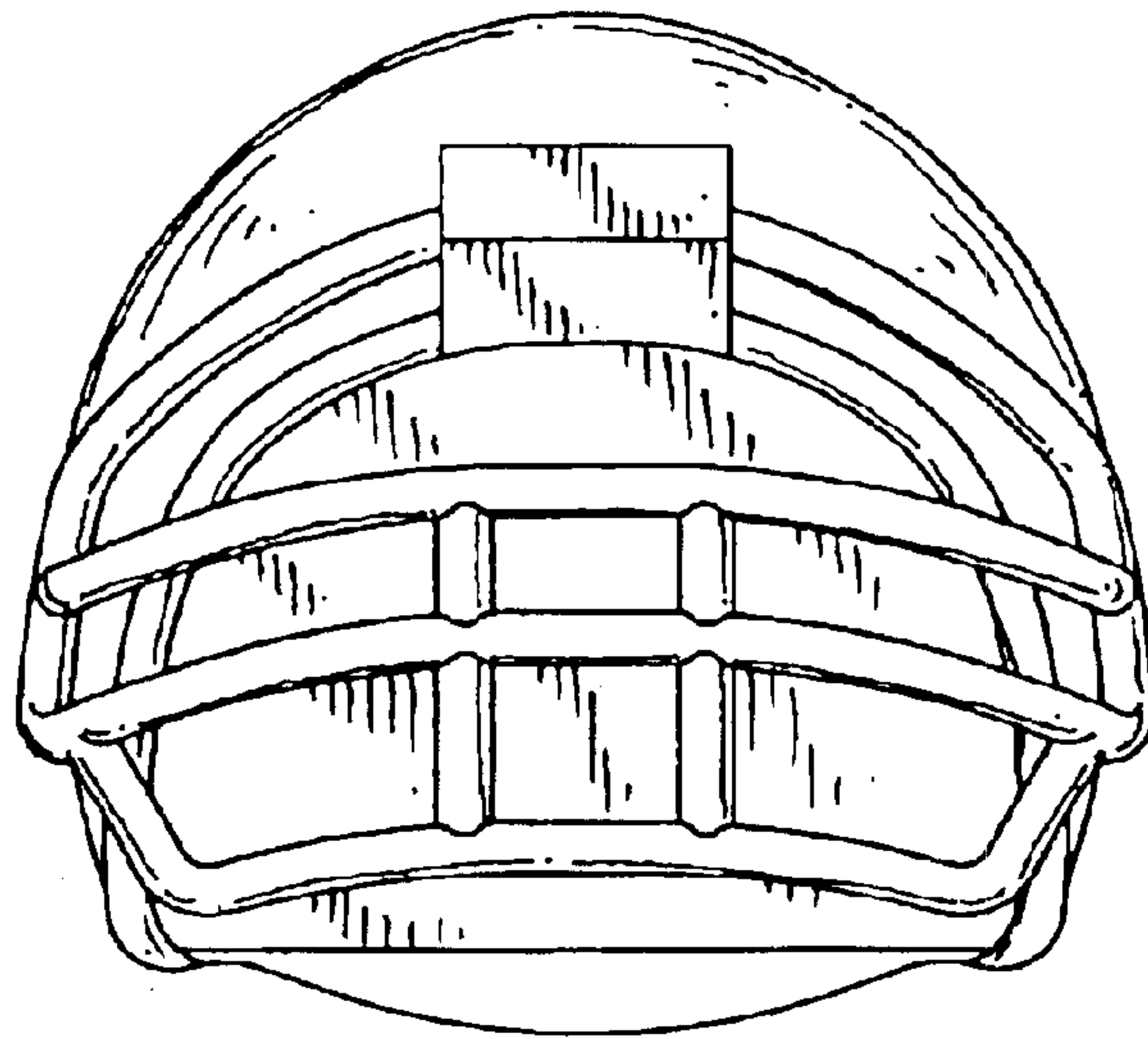


FIG. 8

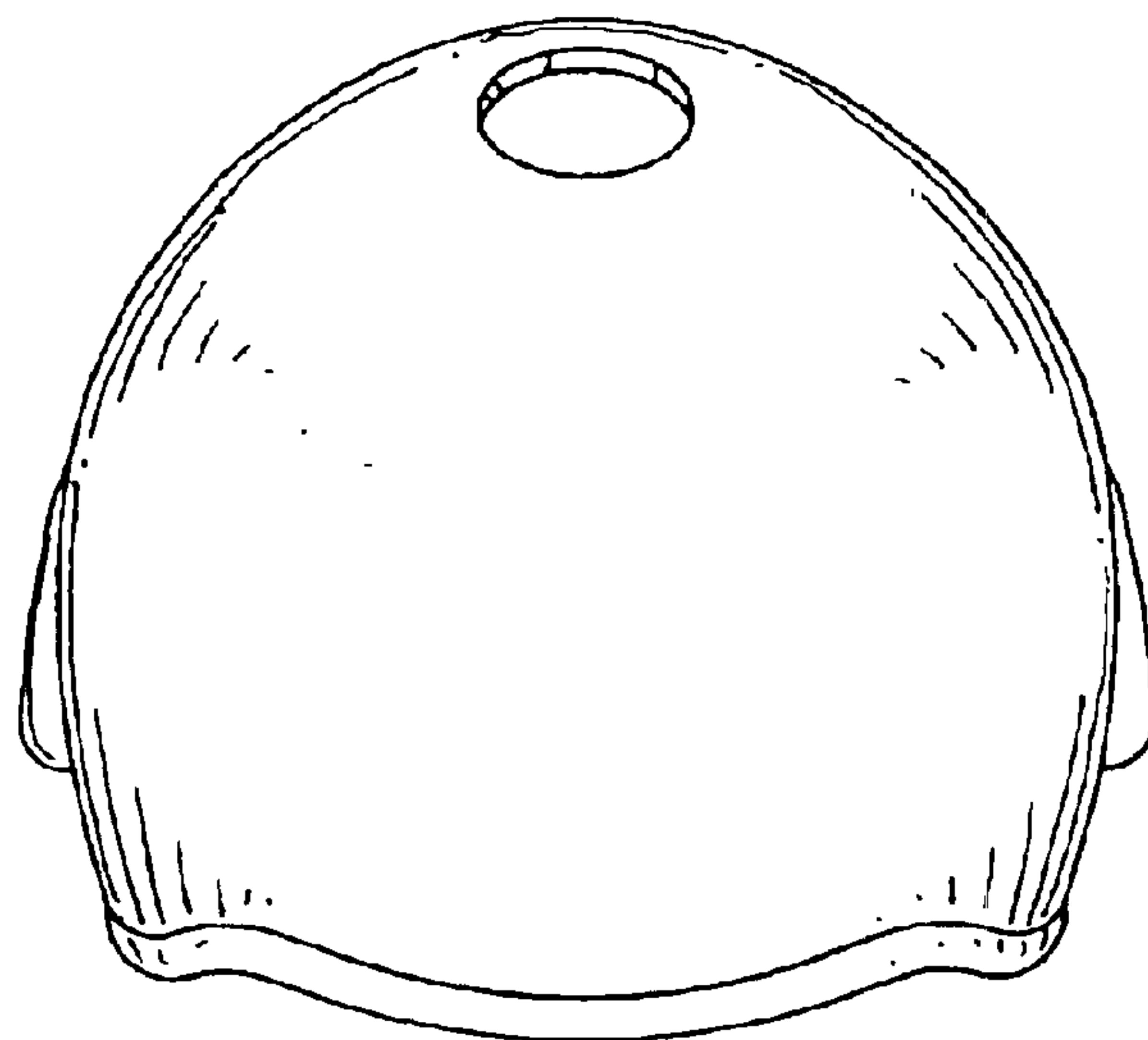


FIG. 9

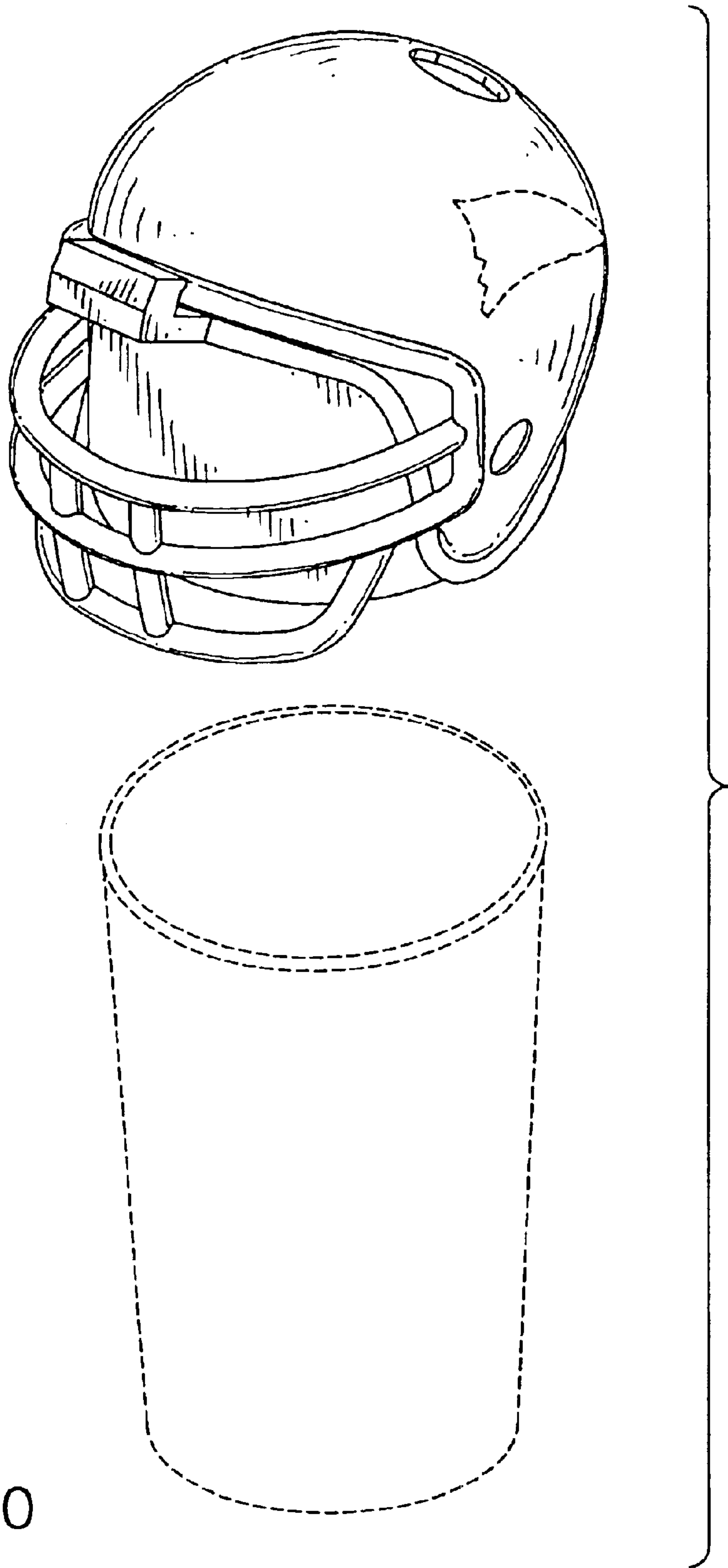


FIG. 10

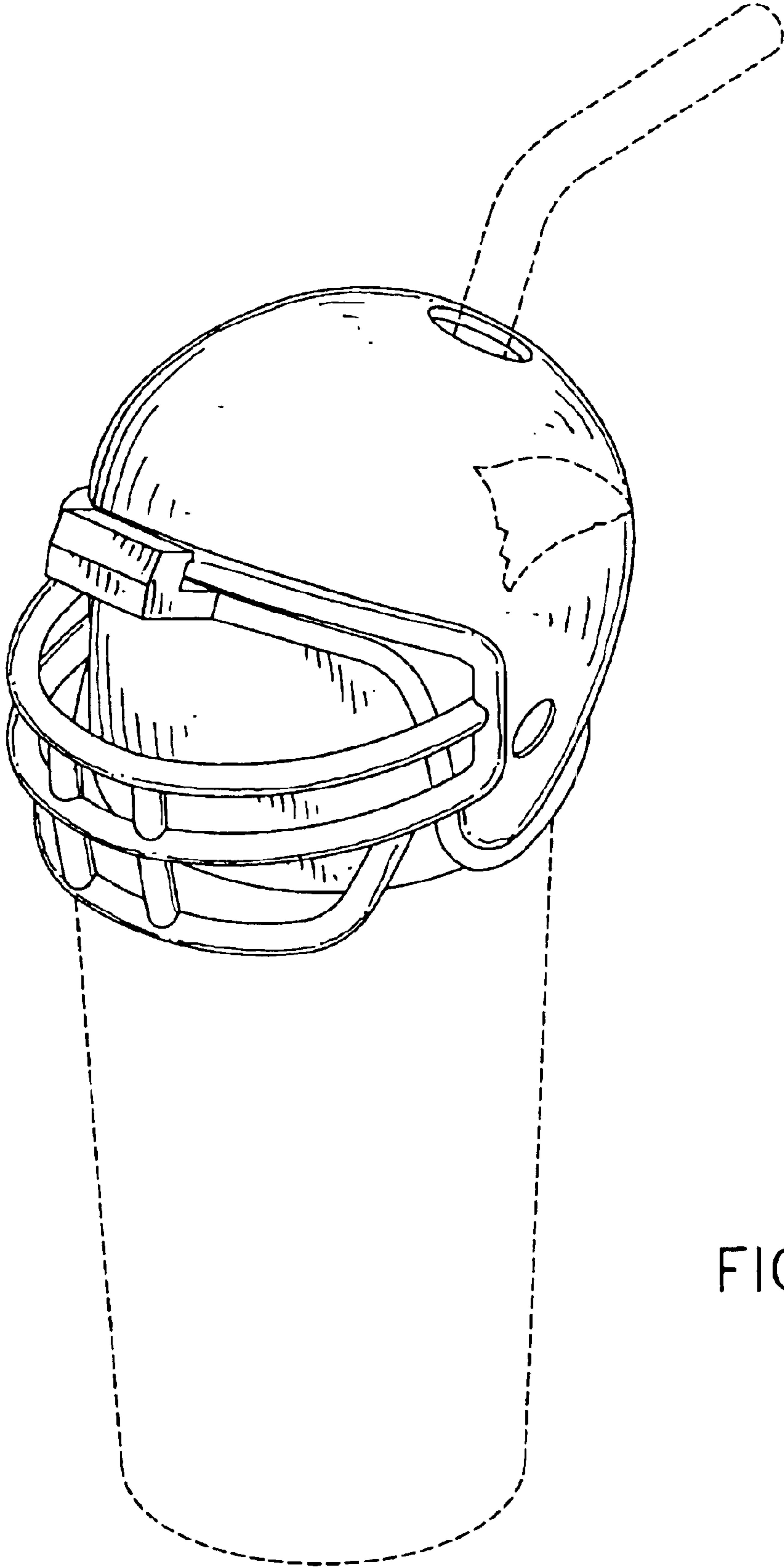


FIG. 11