

US00D507175S

(12) **United States Design Patent**
Moskovich et al.

(10) **Patent No.:** **US D507,175 S**
(45) **Date of Patent:** **** Jul. 12, 2005**

(54) **PACKAGE**
(75) Inventors: **Robert Moskovich**, East Brunswick, NJ
(US); **Alan Sorrentino**, Cranbury, NJ
(US)

(73) Assignee: **Colgate-Palmolive Company**, New
York, NY (US)

(**) Term: **14 Years**

(21) Appl. No.: **29/209,688**

(22) Filed: **Jul. 20, 2004**

(51) **LOC (8) Cl.** **09-07**

(52) **U.S. Cl.** **D9/415; D9/418**

(58) **Field of Search** D9/415, 418, 457,
D9/414; 206/461-471, 806, 495

(56) **References Cited**

U.S. PATENT DOCUMENTS

3,927,762 A * 12/1975 Zdarsky et al. 206/229
5,082,112 A * 1/1992 Dunklee 206/363
6,196,388 B1 * 3/2001 Kaposvari 206/371
D448,283 S * 9/2001 Chapman D9/415

6,427,832 B1 * 8/2002 Ali et al. 206/303
D467,172 S * 12/2002 Thompson et al. D9/415
D471,443 S * 3/2003 Chiang D9/415
D480,638 S * 10/2003 Lee D9/415
D480,964 S * 10/2003 Lee D9/415
D493,714 S * 8/2004 Whitney D9/415
D496,267 S * 9/2004 Tommassetti D9/415

* cited by examiner

Primary Examiner—Prabhakar Deshmukh

(57) **CLAIM**

The ornamental design for a package, as shown and described.

DESCRIPTION

FIG. 1 is a front elevation view of the package of our design. FIG. 2 is a right side elevation view thereof, the left side elevation view being a mirror image thereof. FIG. 3 is a rear elevation view thereof. FIG. 4 is a top plan view thereof. FIG. 5 is a bottom plan view thereof. FIG. 6 is a top perspective view thereof; and, FIG. 7 is a bottom perspective view thereof.

1 Claim, 3 Drawing Sheets

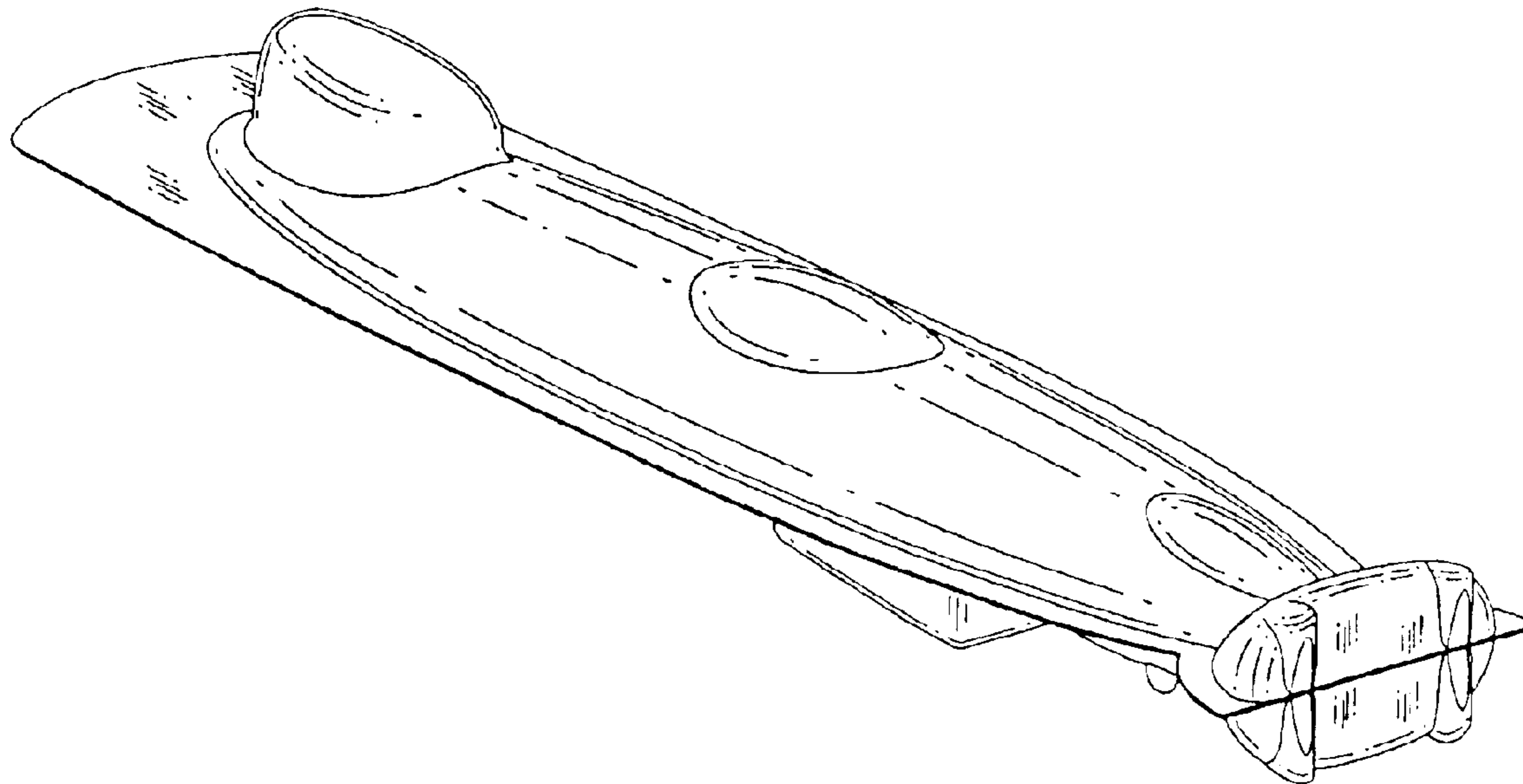


FIG. 1

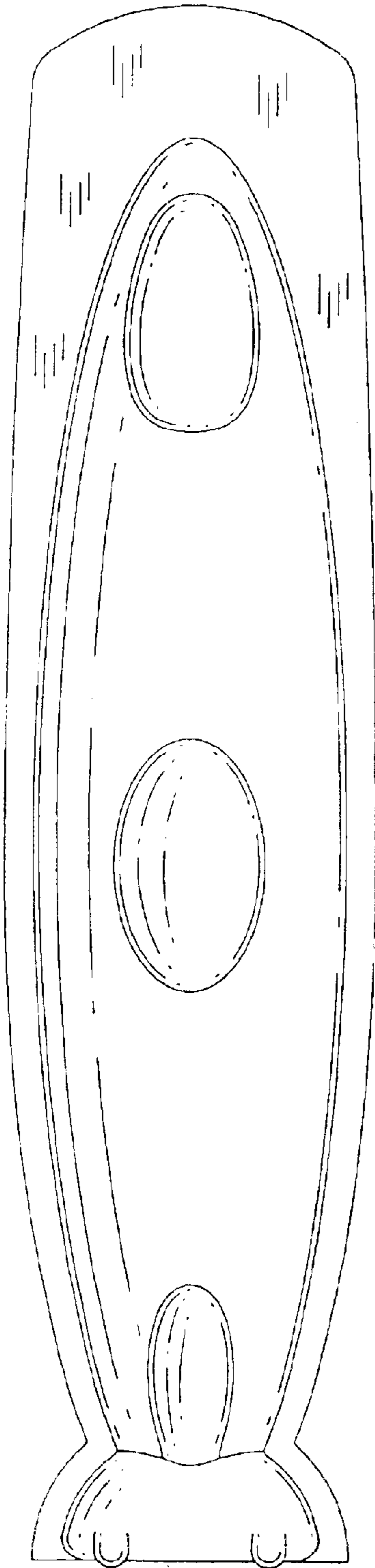


FIG. 2

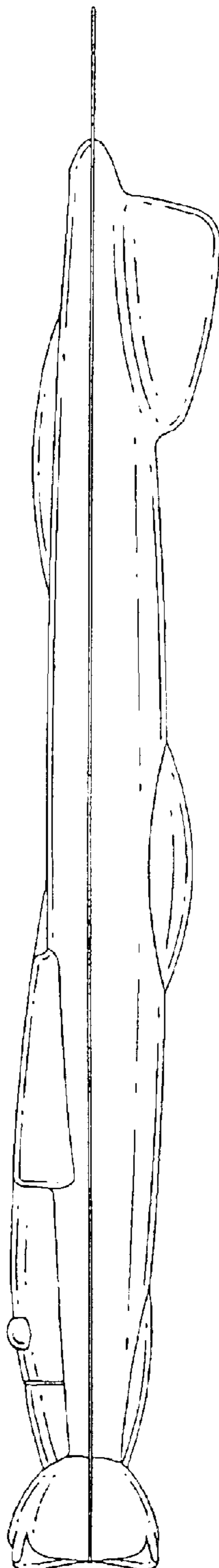


FIG. 3

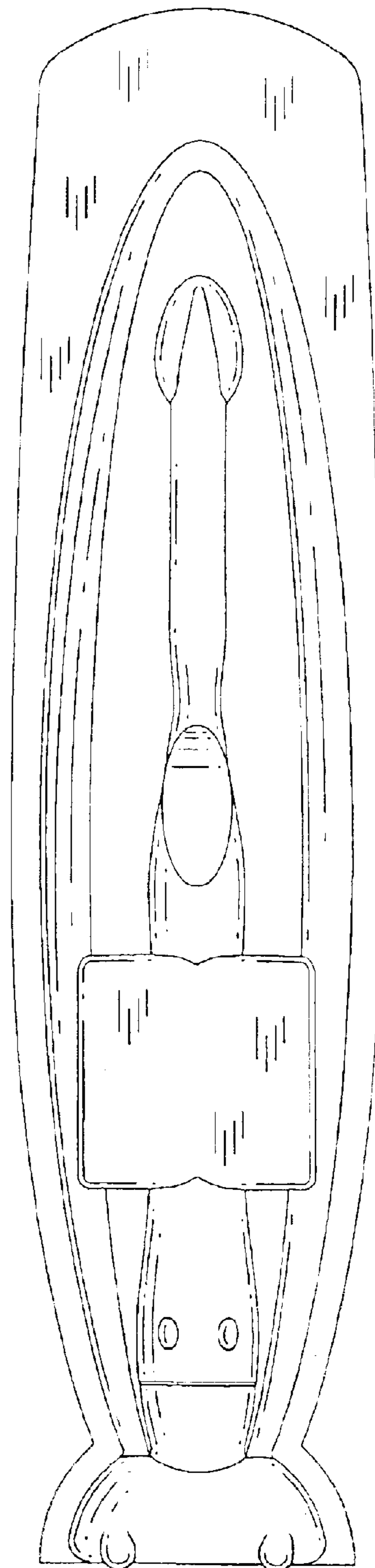


FIG. 4

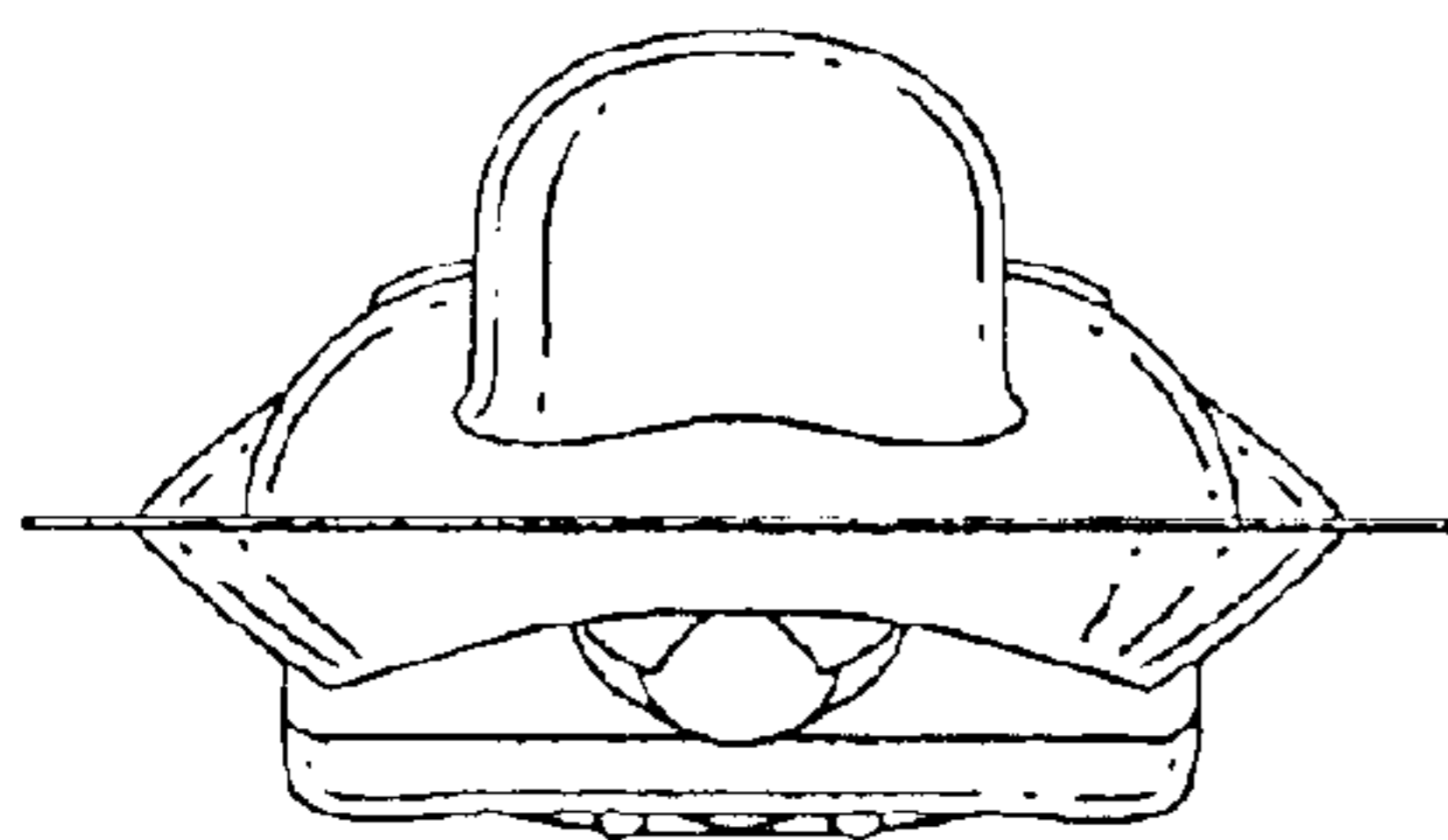
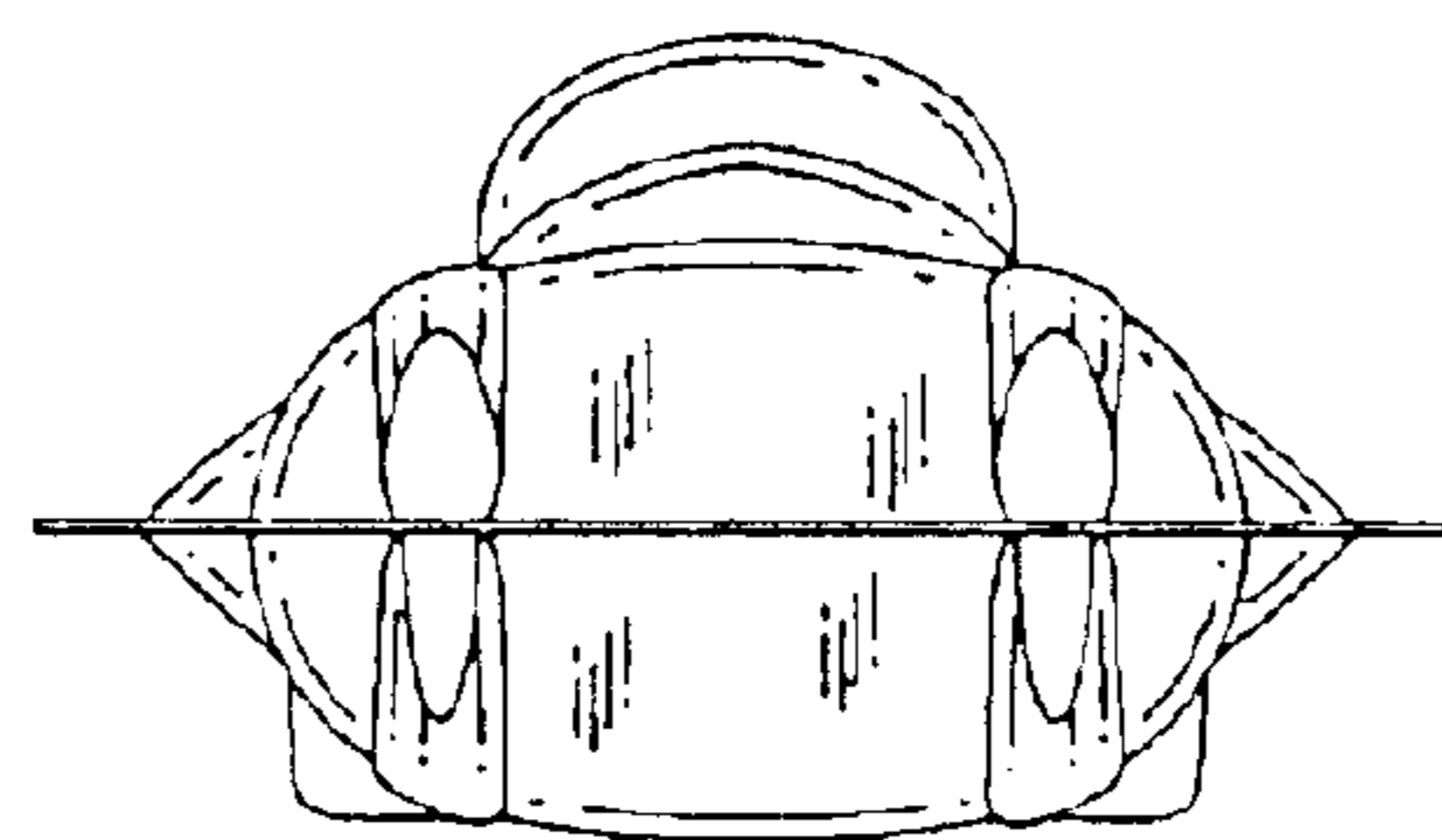


FIG. 5



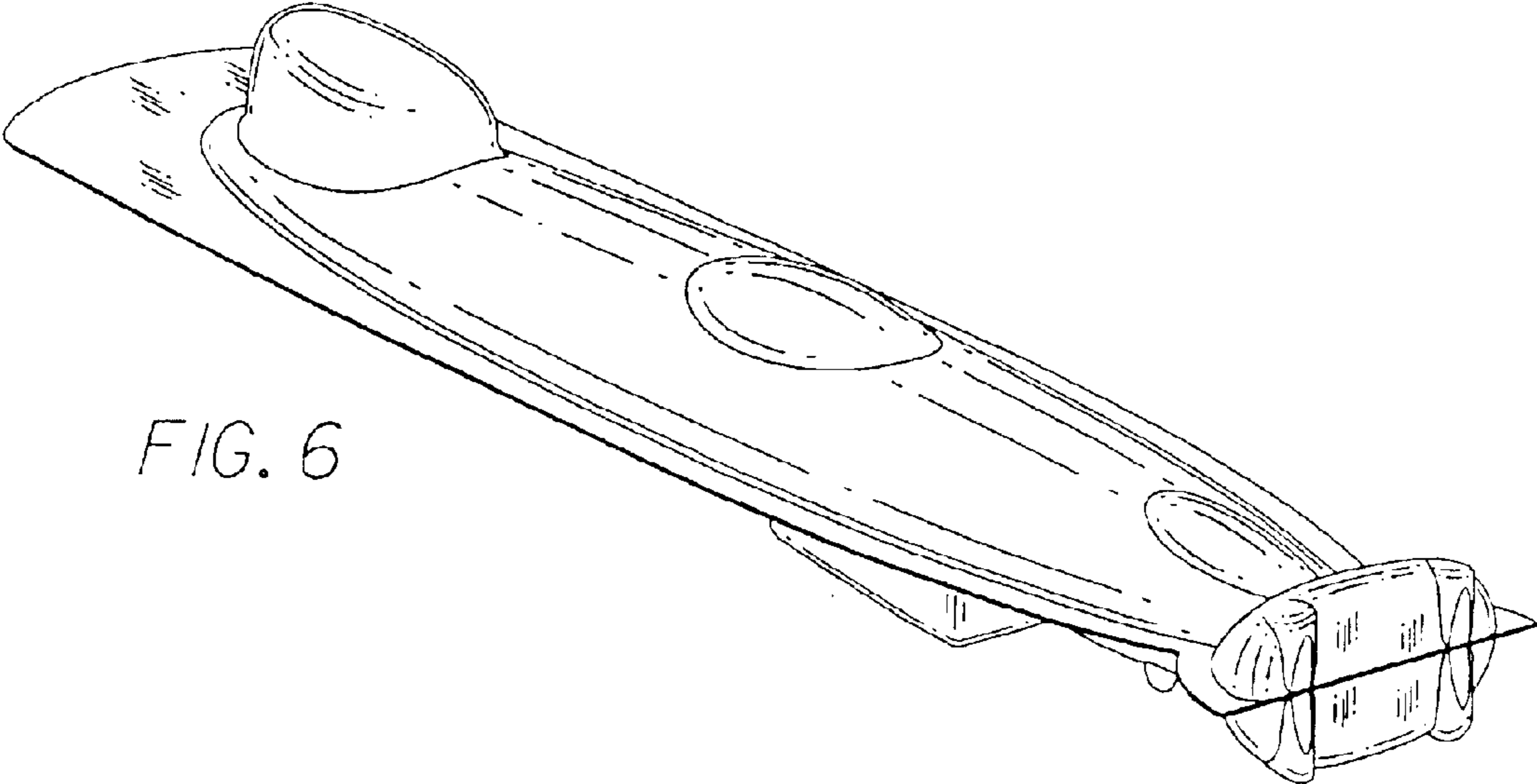


FIG. 6

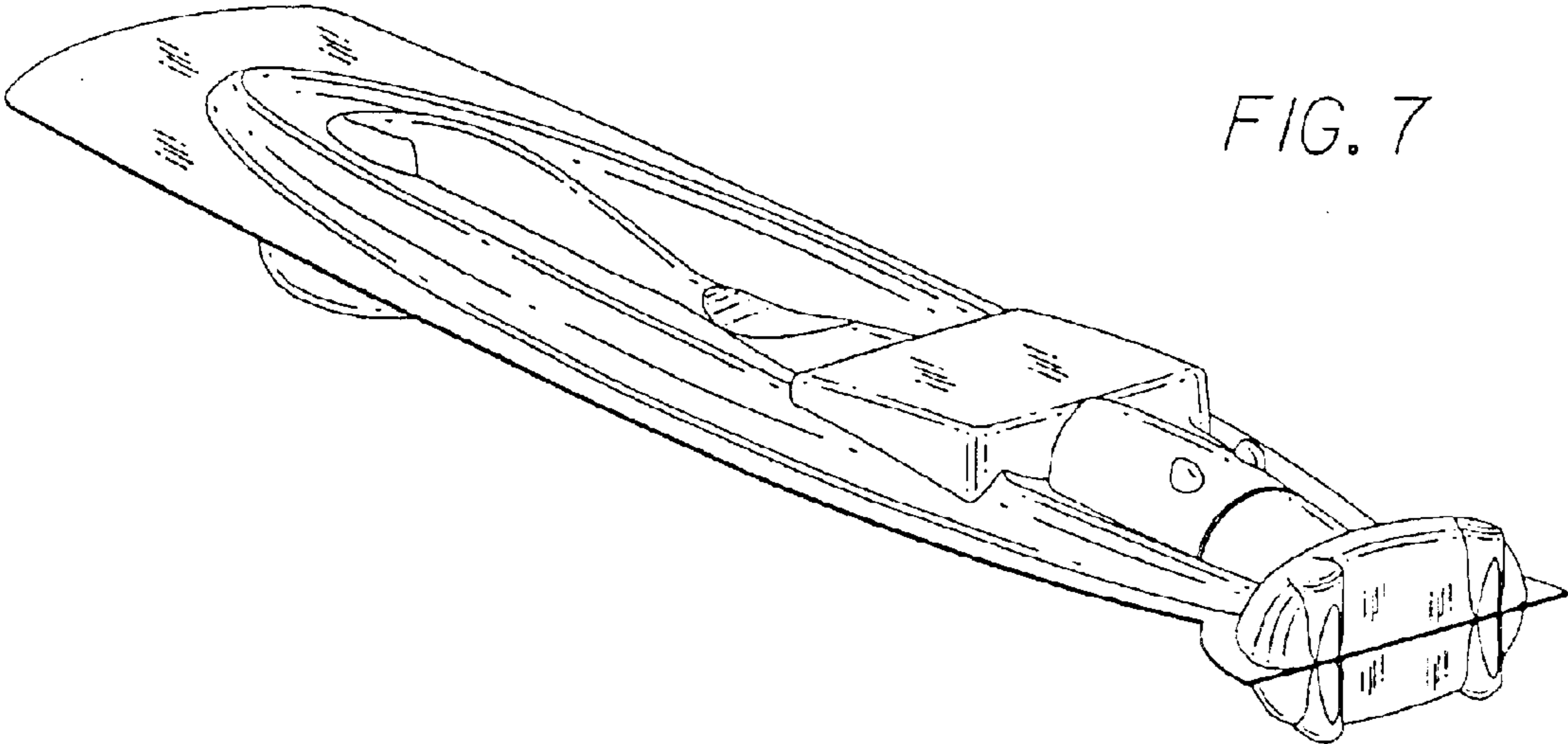


FIG. 7