

US00D507174S

(12) **United States Design Patent**
Katz et al.

(10) **Patent No.: US D507,174 S**
(45) **Date of Patent: ** Jul. 12, 2005**

(54) **MULTI-COMPARTMENT CONTAINER**

OTHER PUBLICATIONS

(75) Inventors: **Corey Katz**, Etobicoke (CA); **Anthony Eluck**, Keswick (CA)

Glue bottle with glue stick (please see attached 3 pictures).

* cited by examiner

(73) Assignee: **Calay Home Products Inc.**, Etobicoke (CA)

Primary Examiner—Carol Rademaker

(74) *Attorney, Agent, or Firm*—Bereskin & Parr

(**) Term: **14 Years**

(57) **CLAIM**

(21) Appl. No.: **29/190,422**

The ornamental design for a multi-compartment container, as shown.

(22) Filed: **Sep. 22, 2003**

DESCRIPTION

(51) **LOC (8) Cl.** **09-01**

(52) **U.S. Cl.** **D9/347**

(58) **Field of Search** D9/341, 347, 501,
D9/516, 517, 414, 432, 560; 215/6, 10,
382-384, 396, 398, 400; 222/212, 213,
215

FIG. 1 is a perspective view from the top, front and right sides of the design;

FIG. 2 is an exploded perspective view from the top, front and right sides of the design;

FIG. 3 is a perspective view from the bottom, rear and left sides of the design;

FIG. 4 is an exploded perspective view from the bottom, rear and left sides of the design;

FIG. 5 is a left side elevation view of the design;

FIG. 6 is a front elevation view of the design;

FIG. 7 is a right side elevation view of the design;

FIG. 8 is a rear elevation view of the design;

FIG. 9 is a top plan view of the design; and,

FIG. 10 is a bottom plan view of the design.

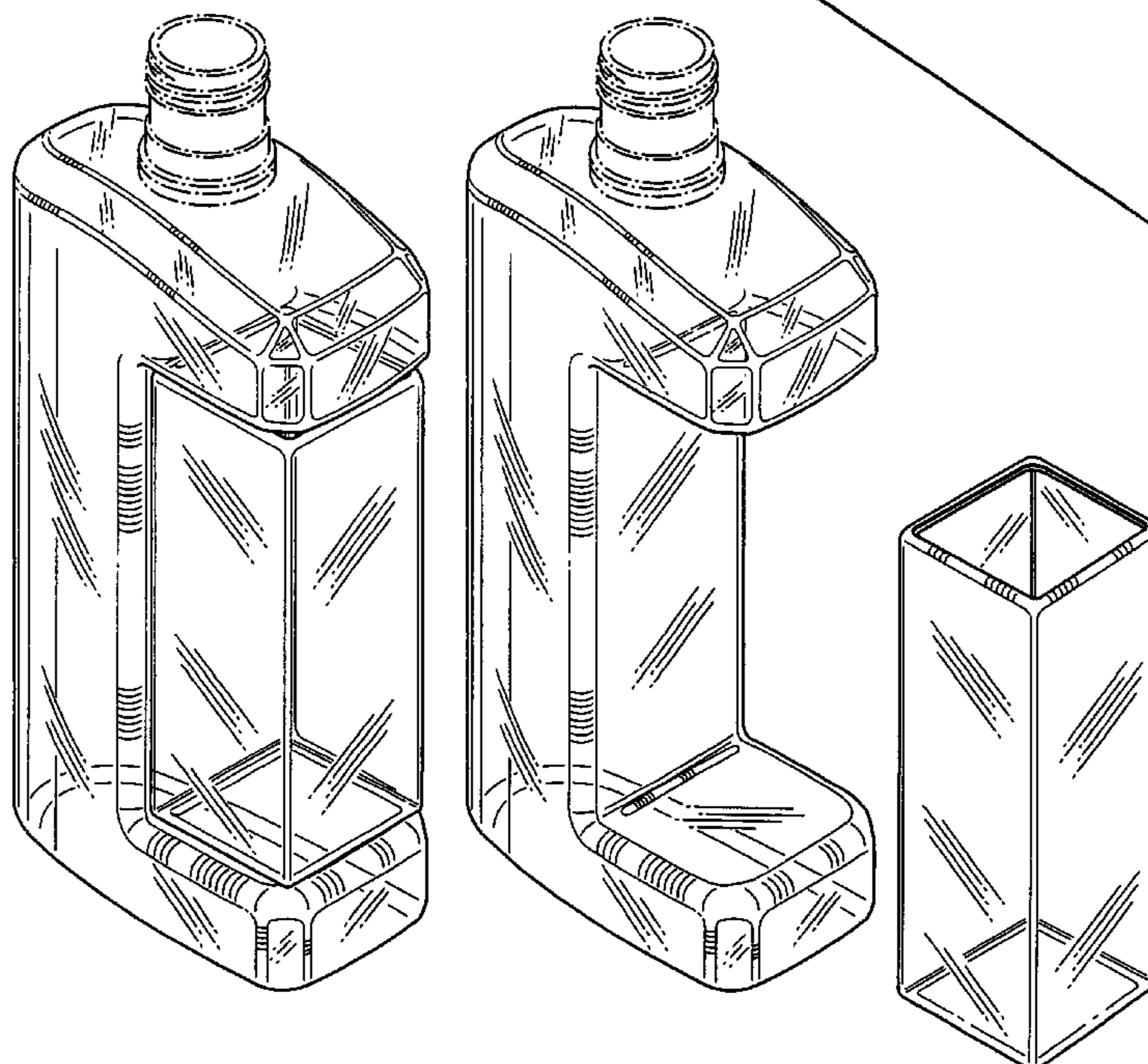
FIG. 11 is a perspective view from the bottom, rear and left sides of the design, in which the Multi-Compartment Container is positioned with its front side positioned downwards. The portions of the Figures shown in broken lines are for environment purposes only and are not part of the design.

(56) **References Cited**

U.S. PATENT DOCUMENTS

D100,412 S	*	7/1936	Carp	D9/347
D219,642 S	*	1/1971	Prahs	D9/347
3,658,204 A	*	4/1972	Bottger	220/23.4
4,235,343 A	*	11/1980	Thompson	215/6
4,592,478 A	*	6/1986	Laconis	220/23.83
4,950,083 A	*	8/1990	Bavaveas	215/383 X
D310,958 S	*	10/1990	Biesecker	D9/347
D319,180 S	*	8/1991	Balavich	D9/347
5,065,875 A	*	11/1991	Balavich	215/10
5,316,398 A	*	5/1994	Chandaria et al.	215/6 X
D459,650 S	*	7/2002	Gagnon	D9/517 X
D459,651 S	*	7/2002	Gagnon	D9/517 X

1 Claim, 5 Drawing Sheets



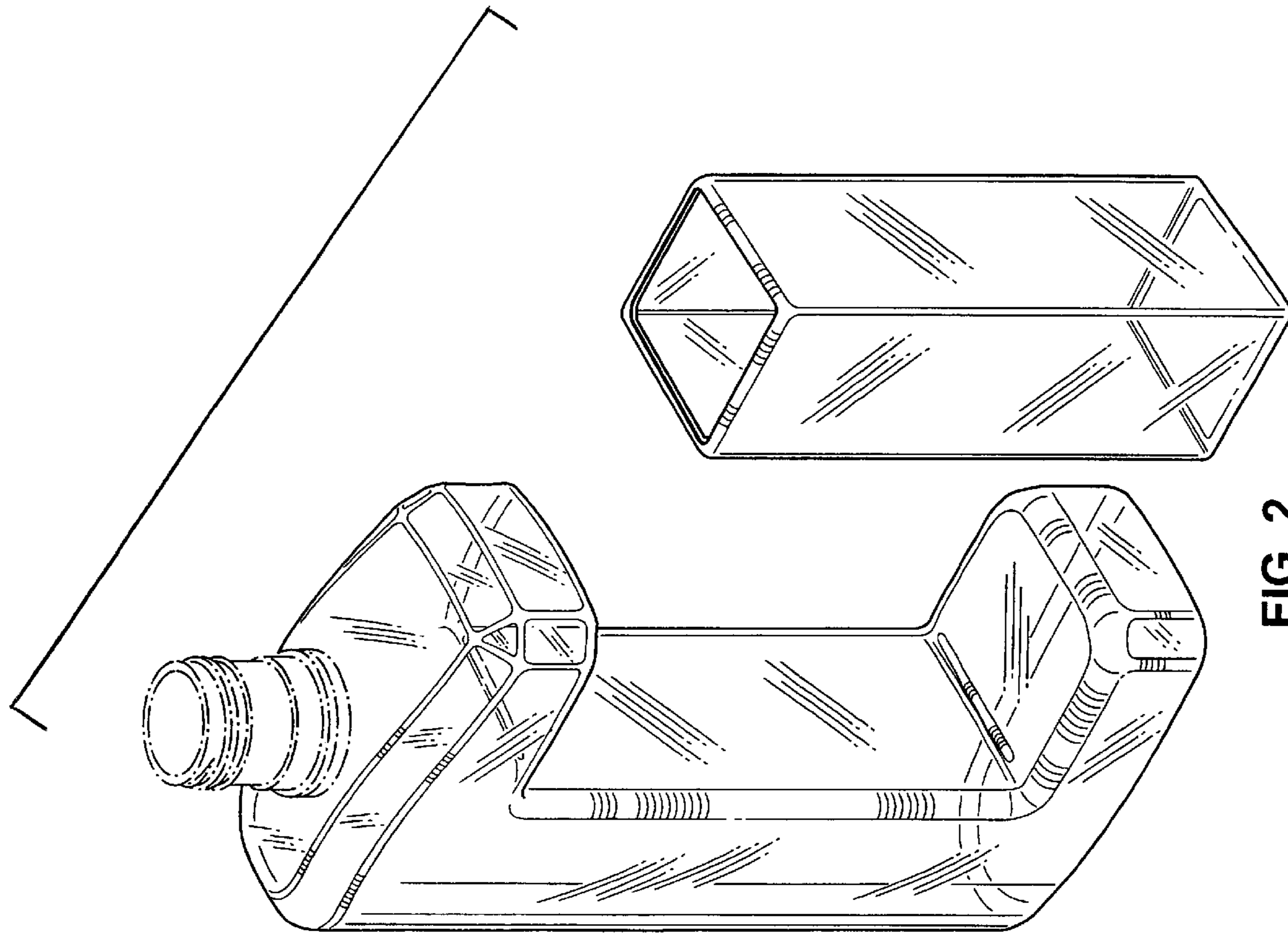


FIG. 2

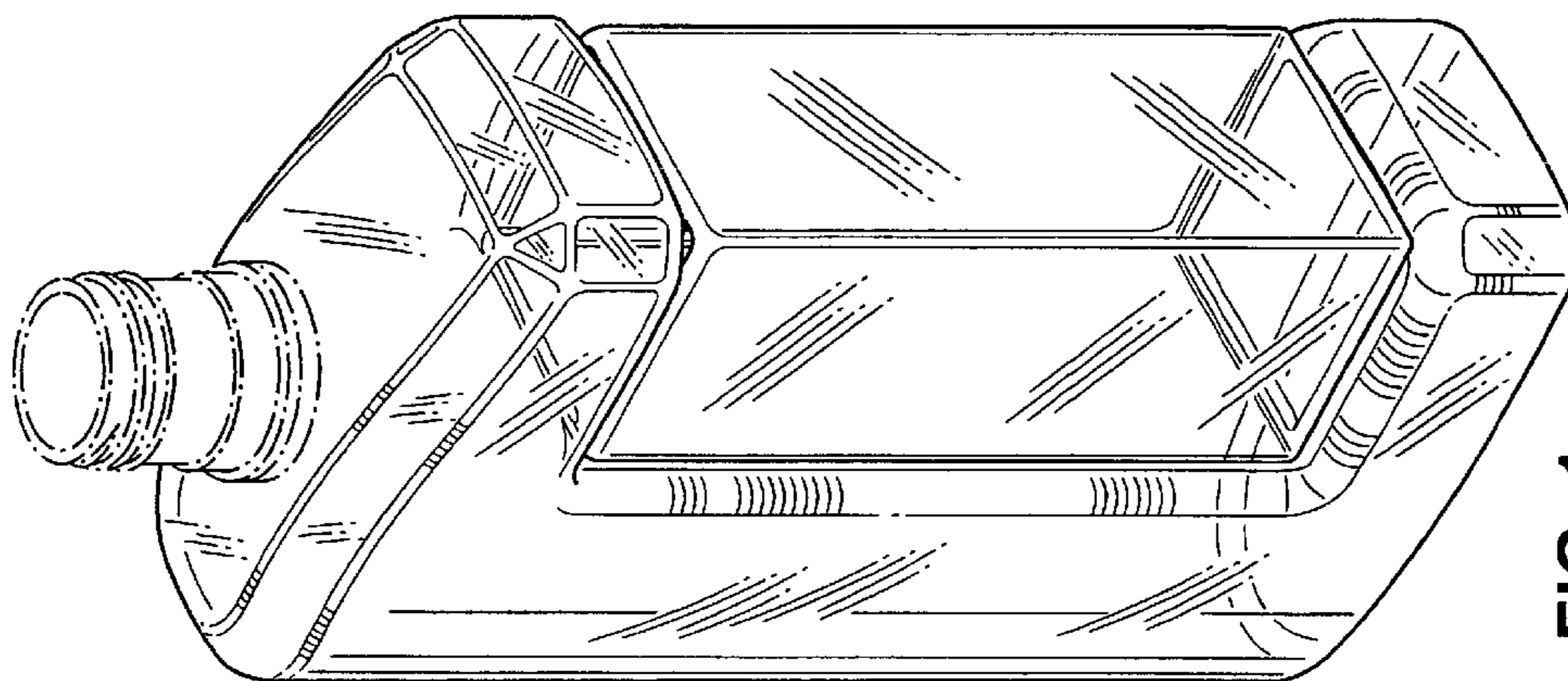


FIG. 1

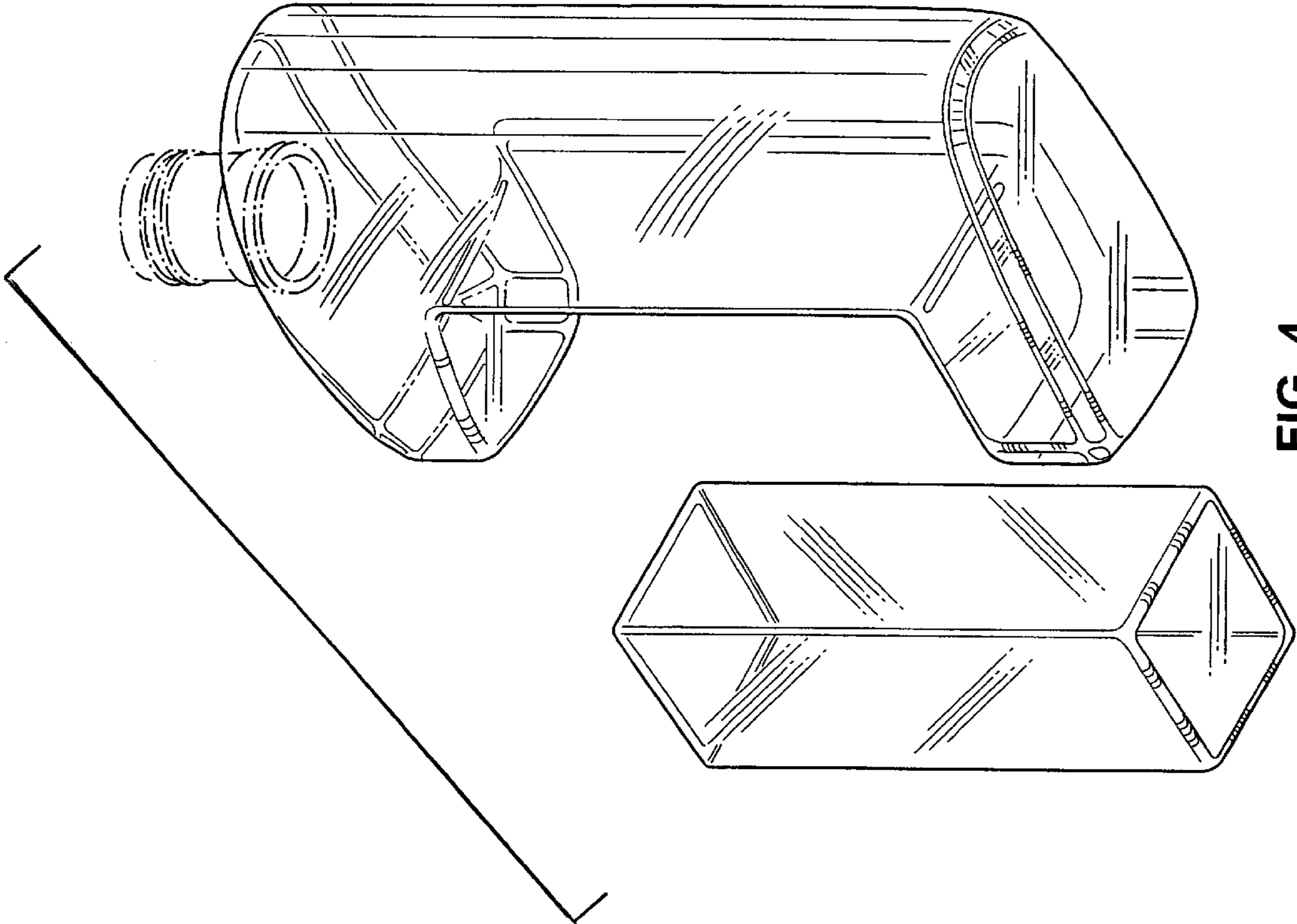


FIG. 4

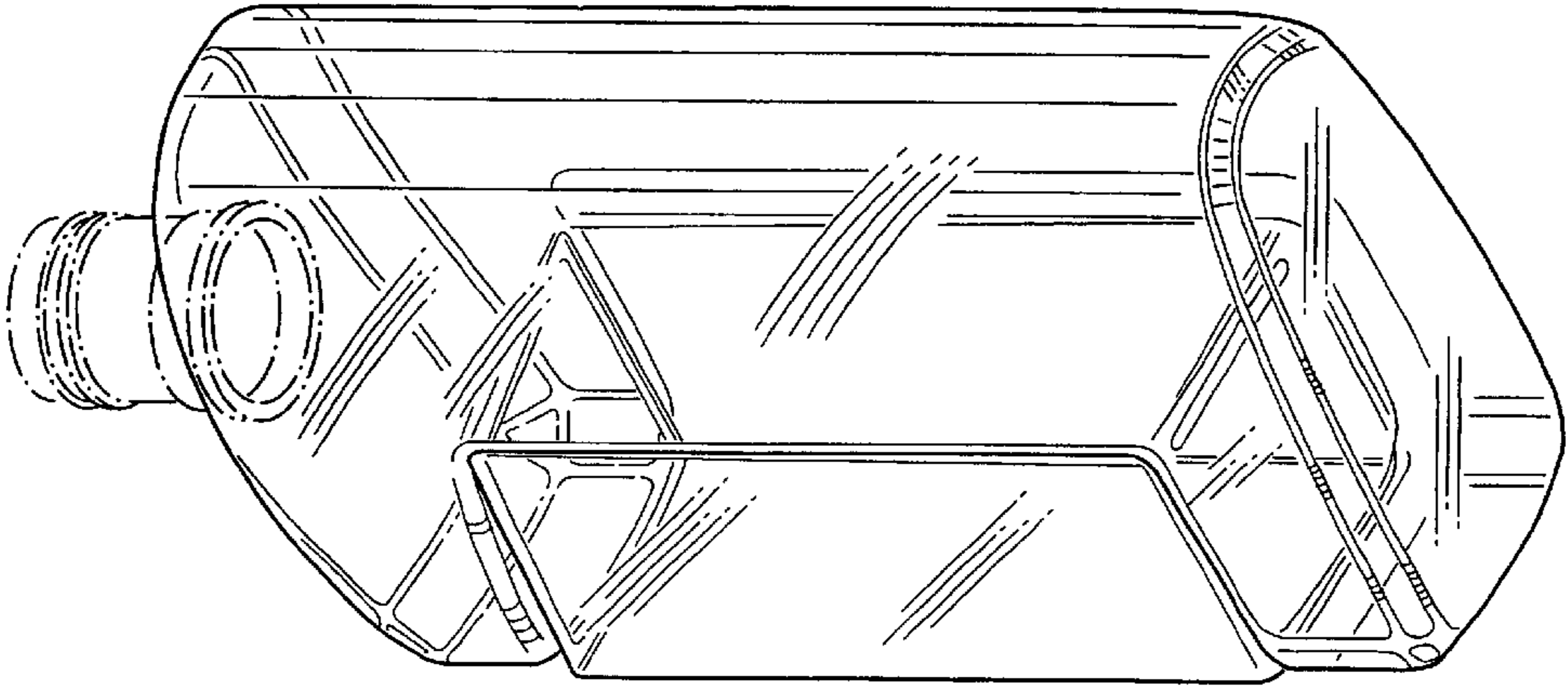


FIG. 3

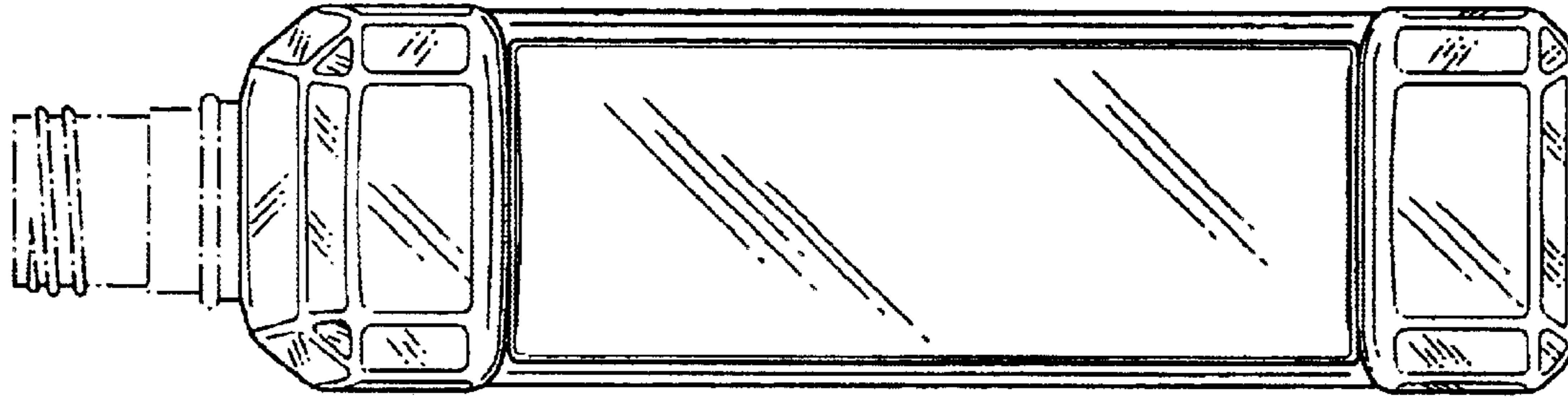


FIG. 7

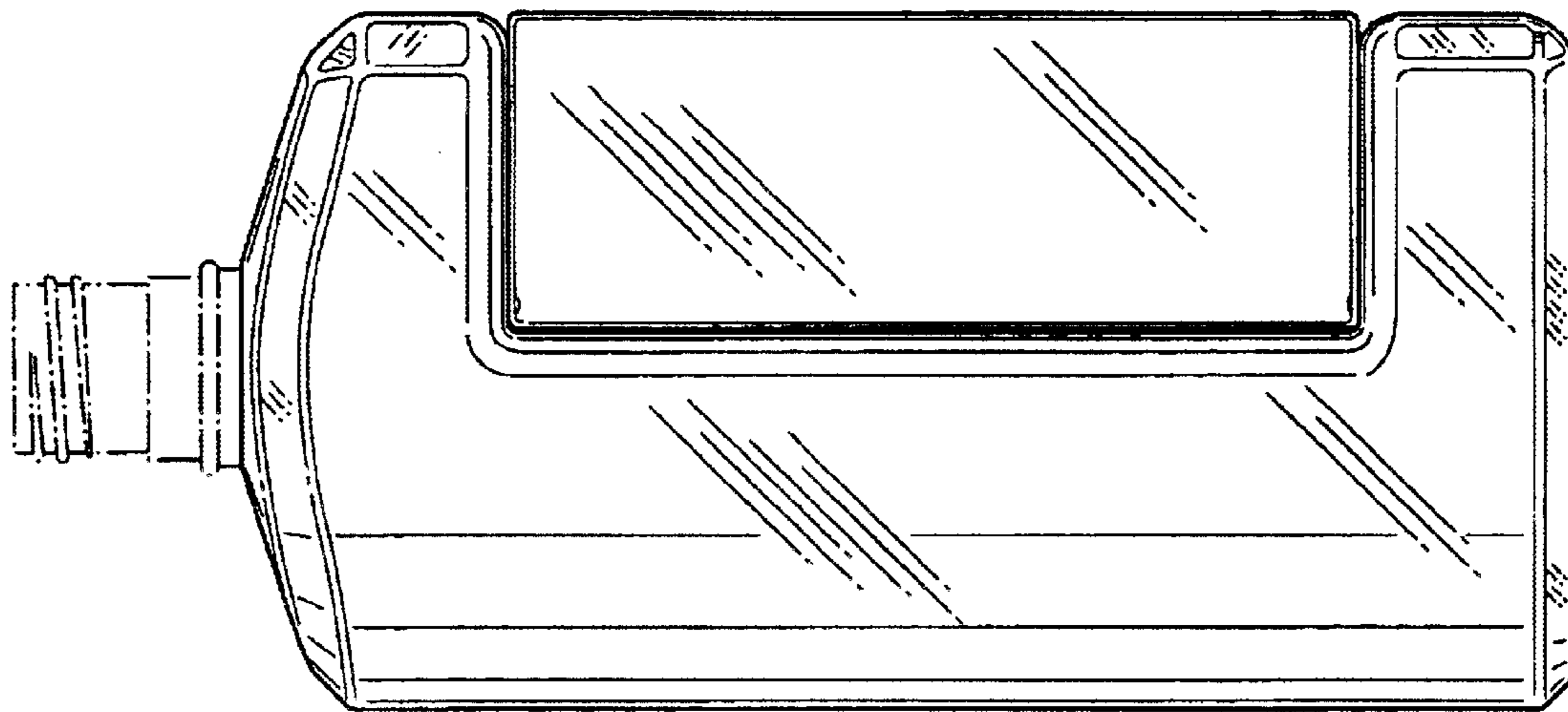


FIG. 6

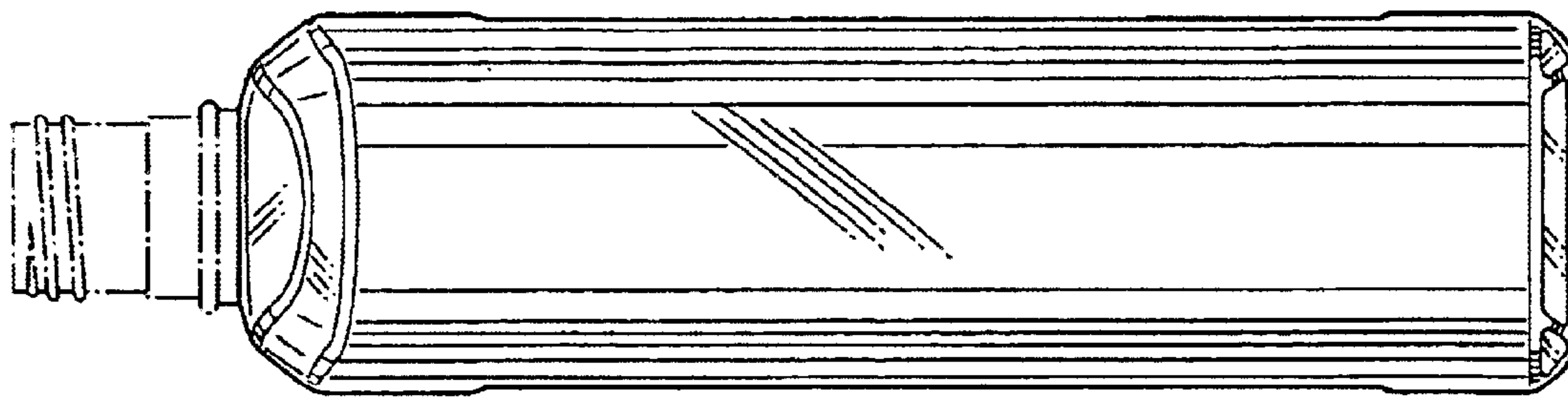


FIG. 5

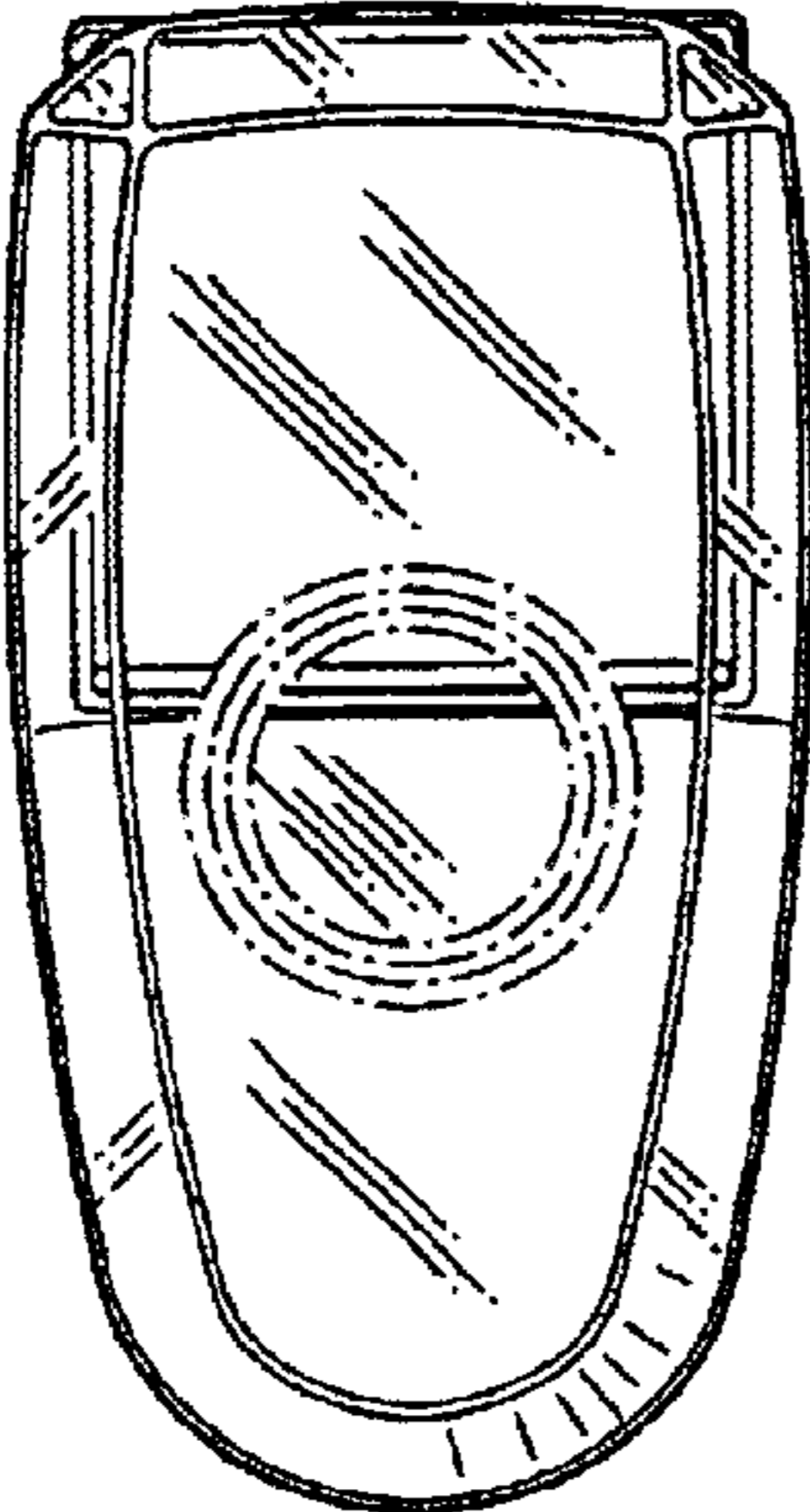


FIG. 9

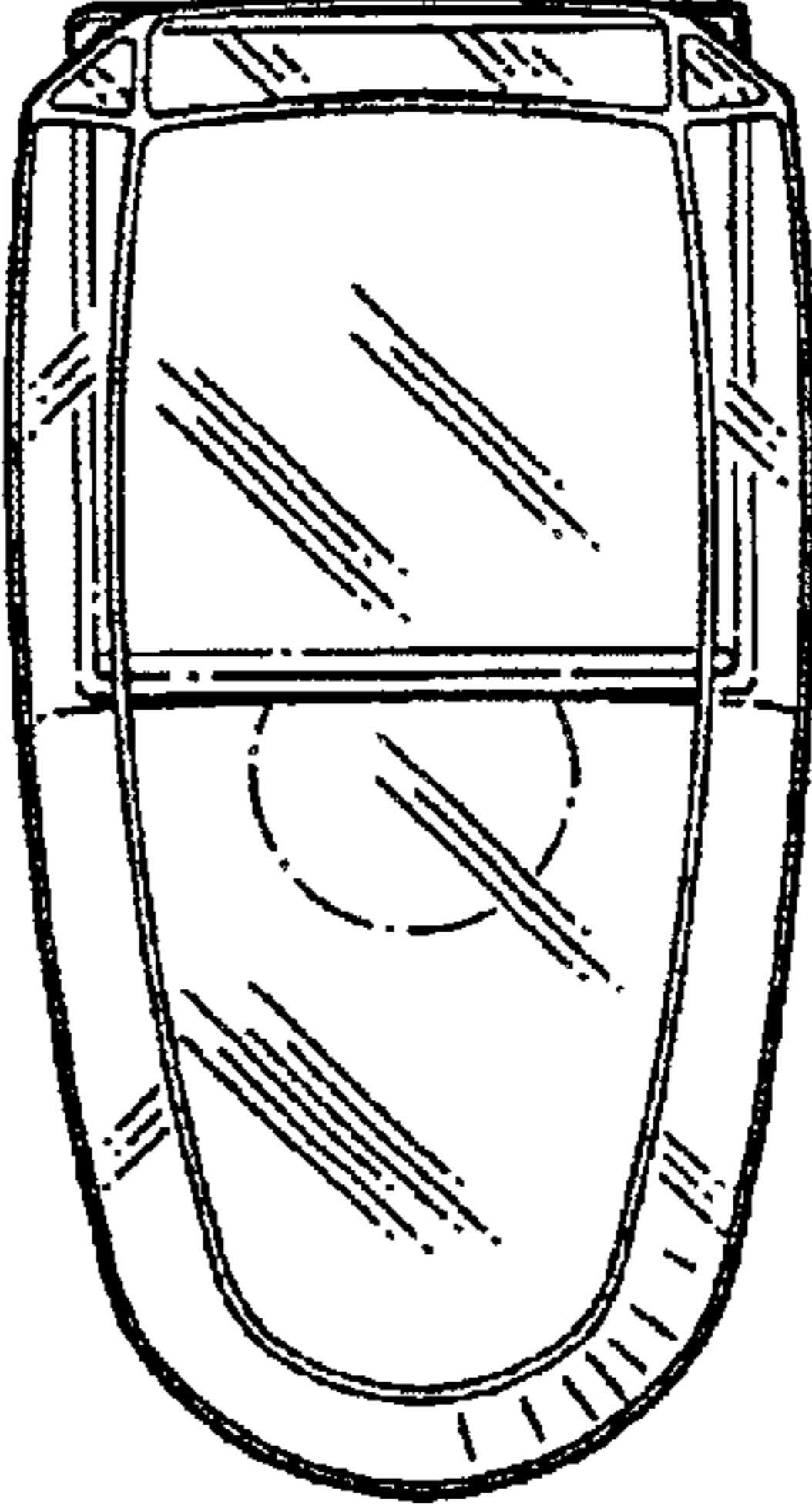


FIG. 10

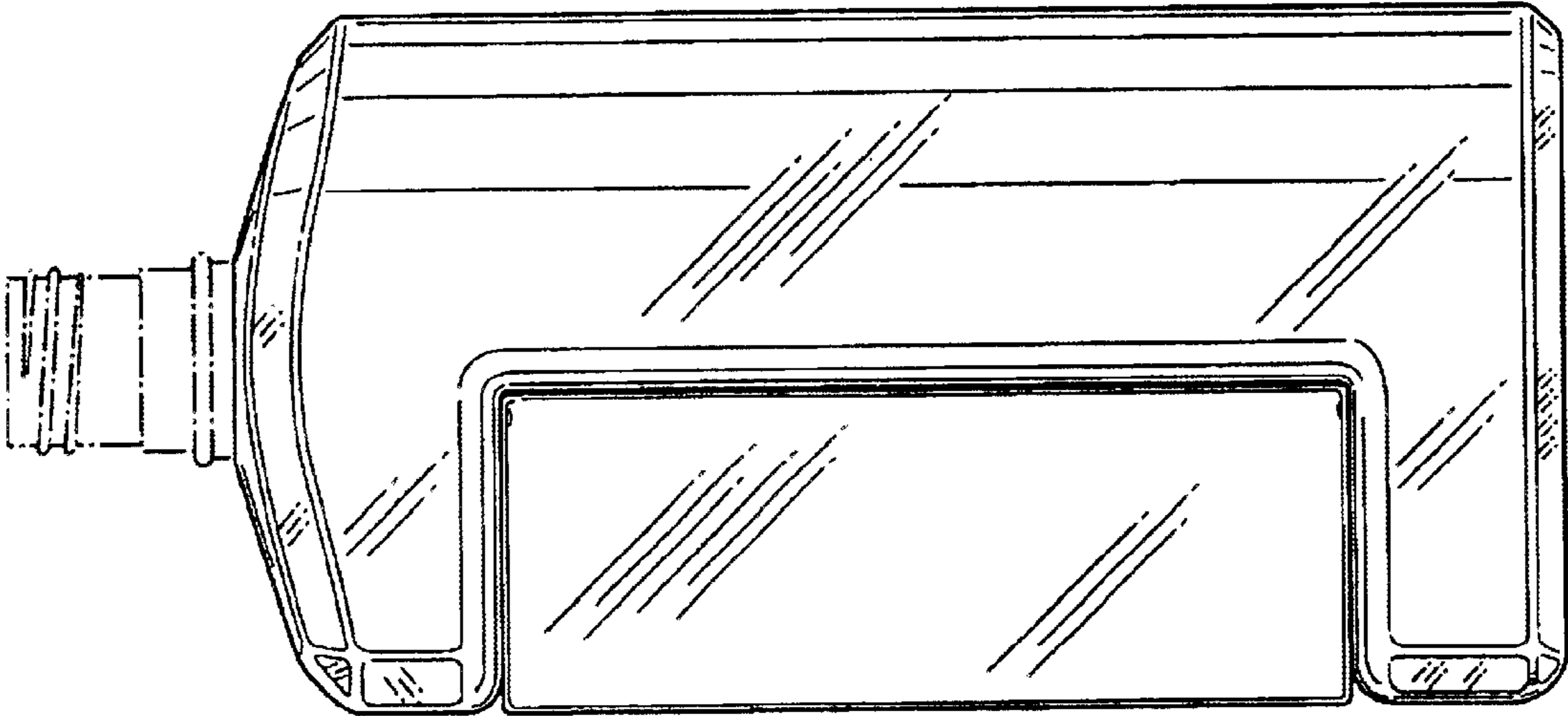


FIG. 8

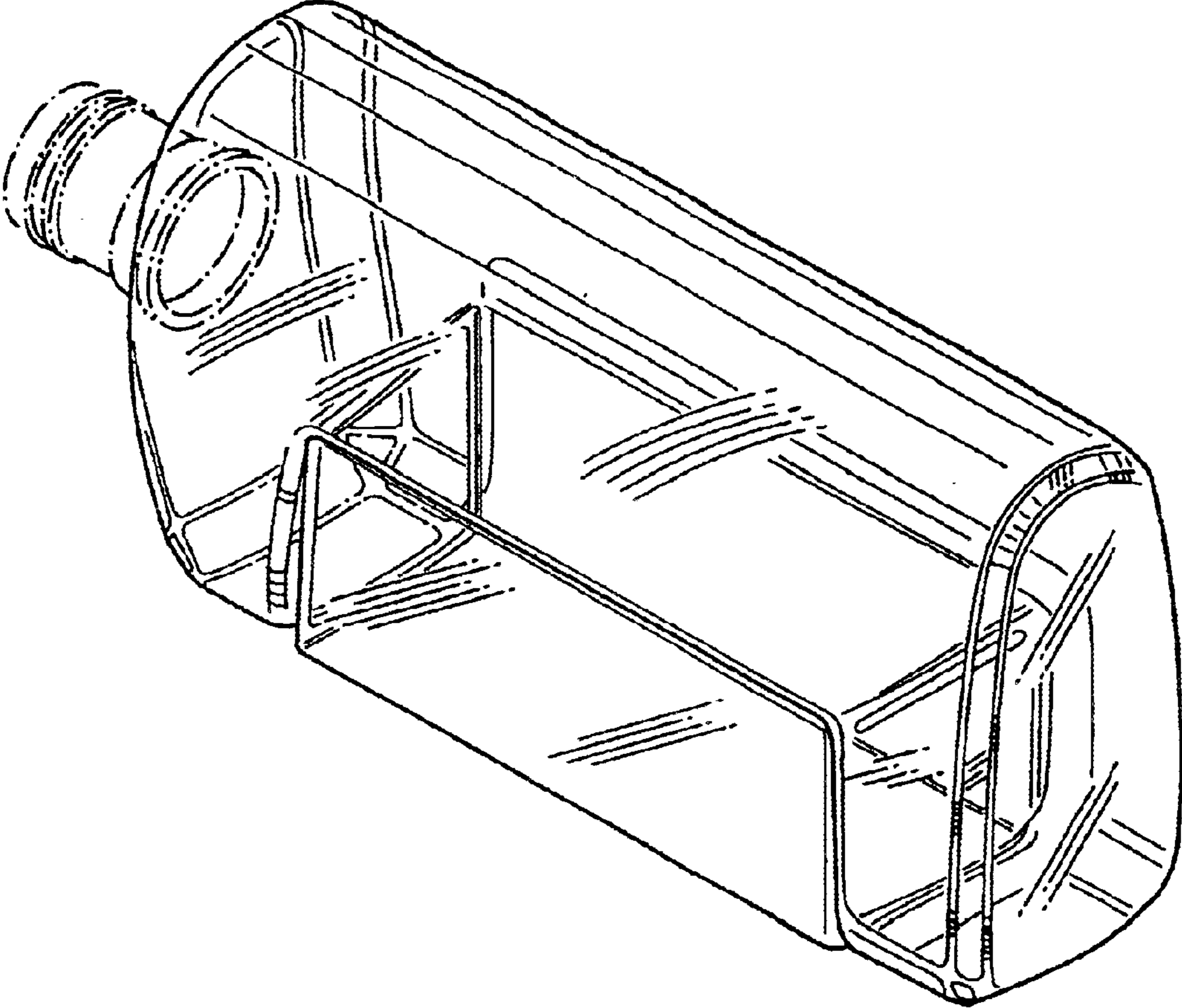


FIG. 11