

US00D507173S

(12) **United States Design Patent**
Cairns

(10) **Patent No.:** **US D507,173 S**

(45) **Date of Patent:** **** Jul. 12, 2005**

(54) **CURTAIN ROD WITH ATTACHMENT SURFACES**

D425,215 S * 5/2000 Ginzel D25/119
D462,787 S * 9/2002 Scalzott D25/119

(76) Inventor: **Janice E. Cairns**, 730 Helga Dr.,
Woodstock, GA (US) 30188

* cited by examiner

Primary Examiner—Holly Baynham

(74) *Attorney, Agent, or Firm*—Michael J. Mehrman

(**) Term: **14 Years**

(57) **CLAIM**

(21) Appl. No.: **29/213,215**

The ornamental design for a curtain rod with attachment surfaces, as shown and described herein.

(22) Filed: **Sep. 15, 2004**

DESCRIPTION

(51) **LOC (8) Cl.** **08-05**

(52) **U.S. Cl.** **D8/376**

(58) **Field of Search** D8/376–377, 373,
D8/380; D6/580; D25/119, 121, 125; 248/262–263;
160/19

FIG. 1 is a perspective view of a curtain rod with attachment surfaces with attachment surfaces.

FIG. 2 is front of the curtain rod with attachment surfaces shown in FIG. 1.

FIG. 3 is an end view of the curtain rod with attachment surfaces shown in FIG. 1.

FIG. 4 is a rear view of the curtain rod with attachment surfaces shown in FIG. 1.

FIG. 5 is top view of the curtain rod with attachment surfaces shown in FIG. 1; and,

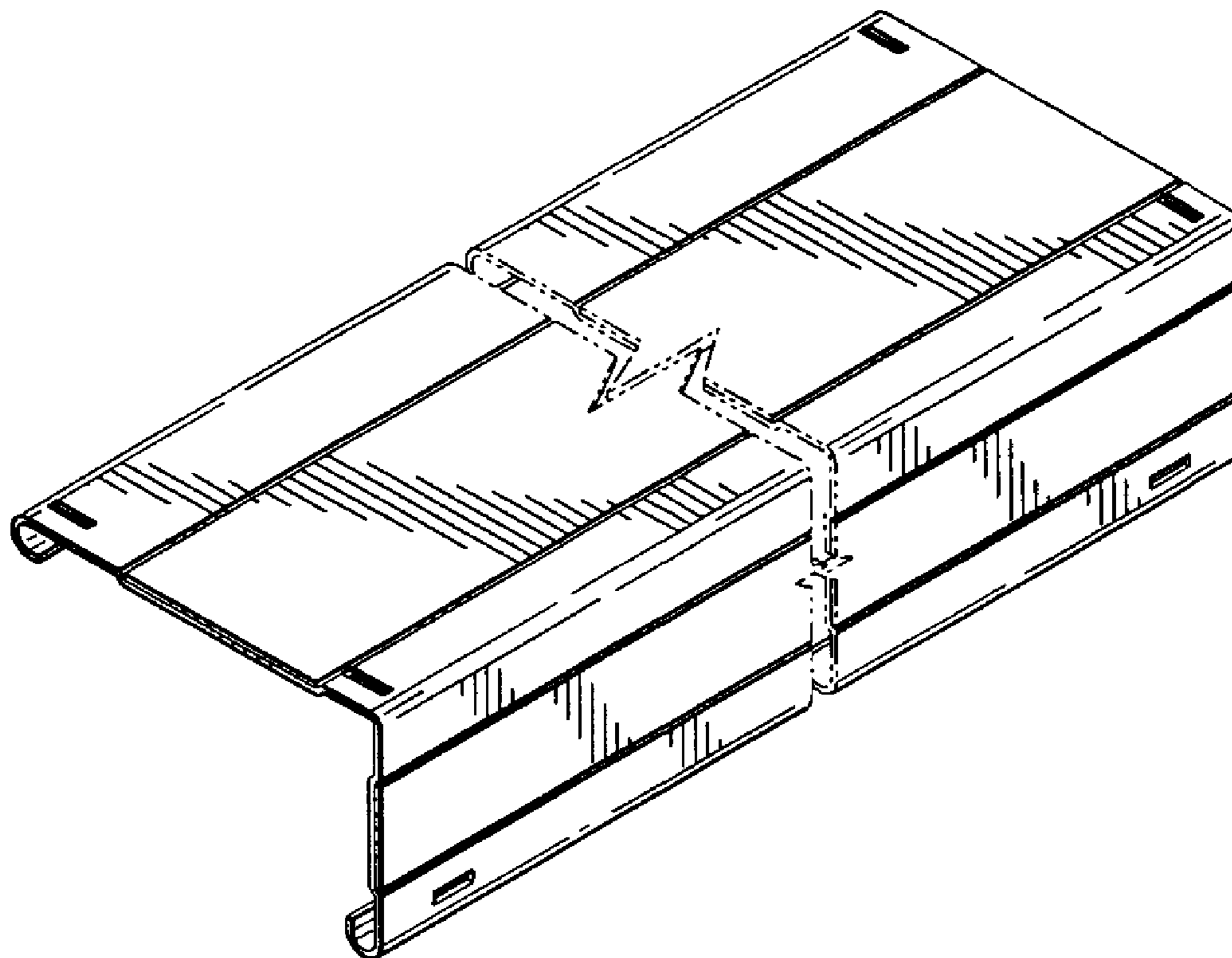
FIG. 6 is bottom view of the curtain rod with attachment surfaces shown in FIG. 1.

(56) **References Cited**

U.S. PATENT DOCUMENTS

D110,435 S	*	7/1938	Lowry	D25/119
D117,893 S	*	12/1939	Bonnell	D25/121
D221,854 S	*	9/1971	Dowdell, Jr. et al.	D23/373
D343,005 S	*	1/1994	Moss et al.	D25/119
D352,692 S	*	11/1994	Christensen	D12/412
5,673,741 A		10/1997	Cairns		
D398,708 S	*	9/1998	Opielski et al.	D25/119

1 Claim, 1 Drawing Sheet



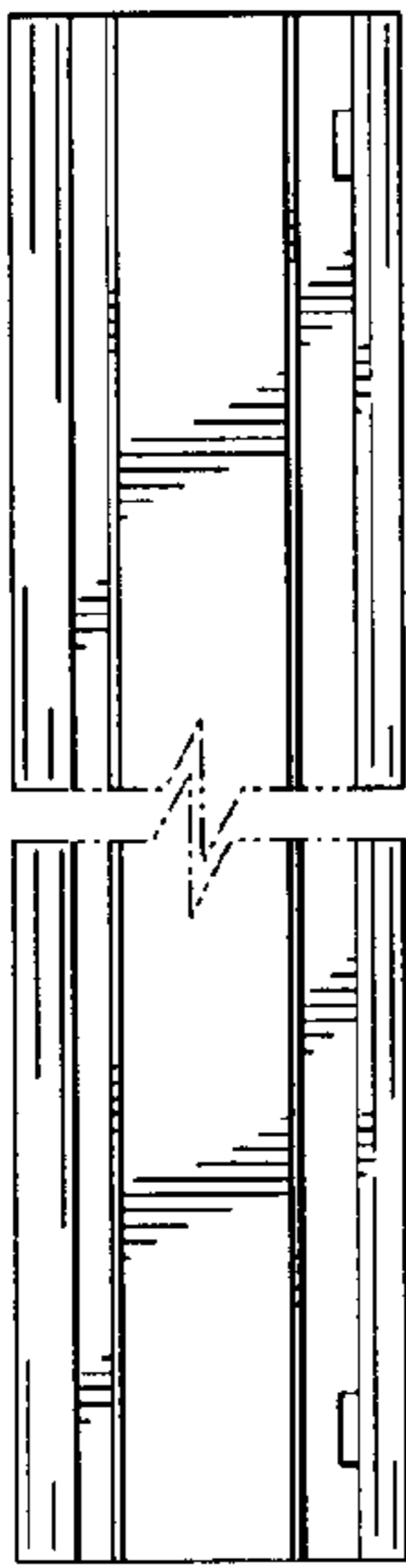


FIG. 4

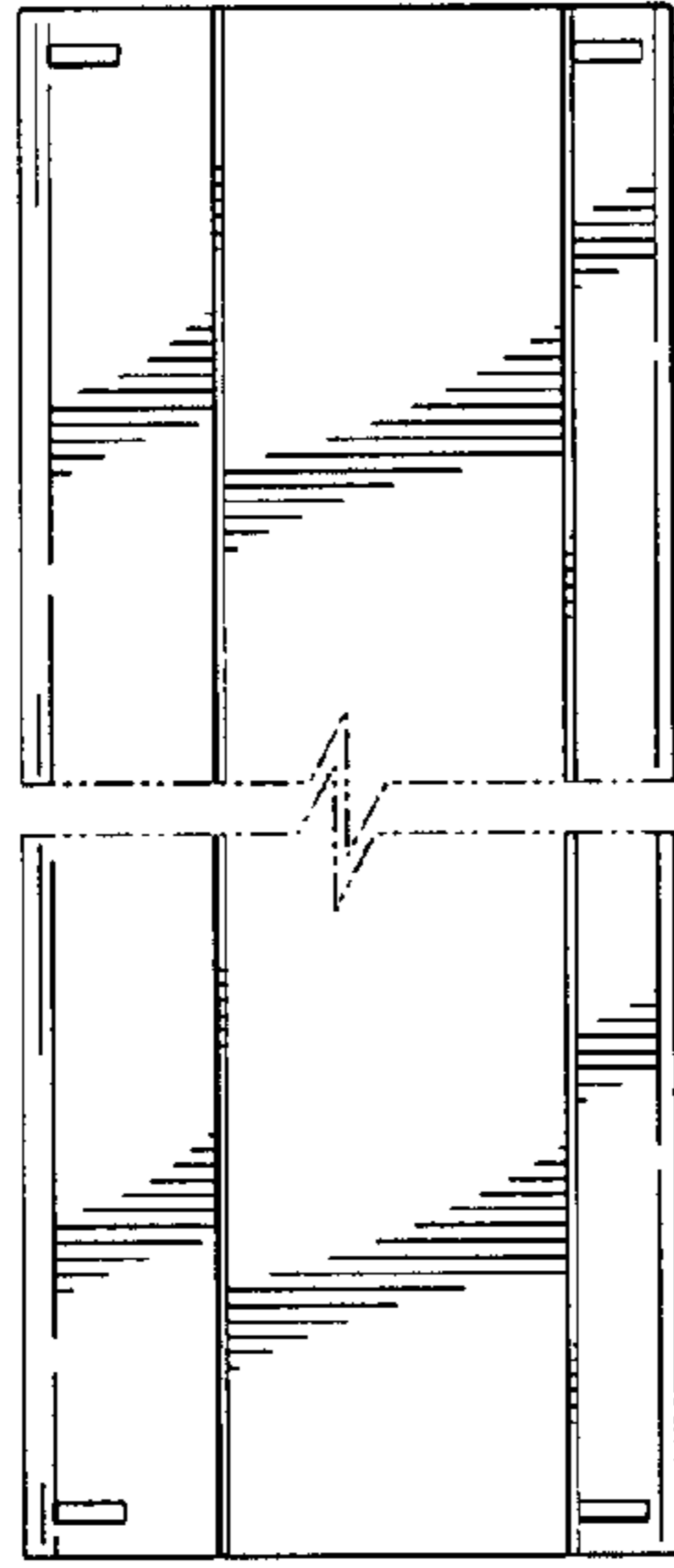


FIG. 5

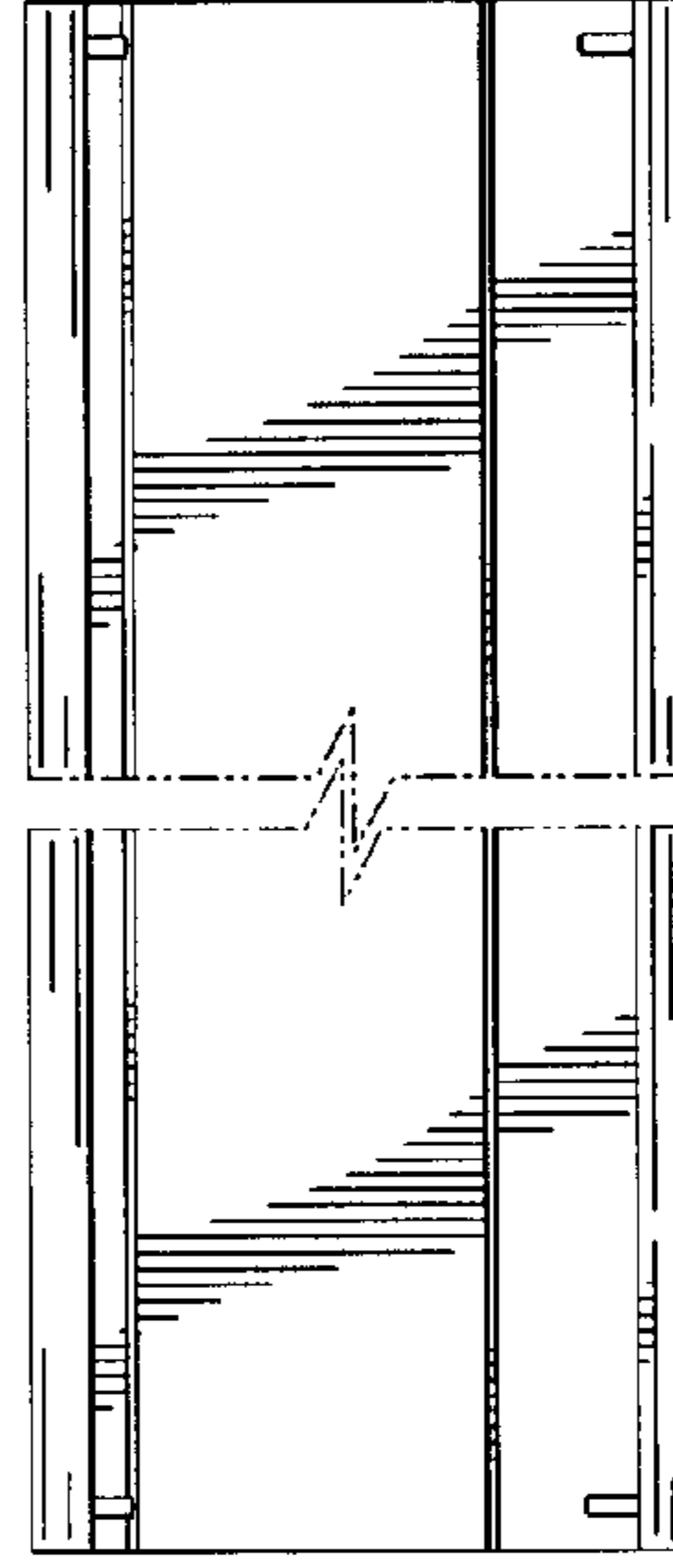


FIG. 6

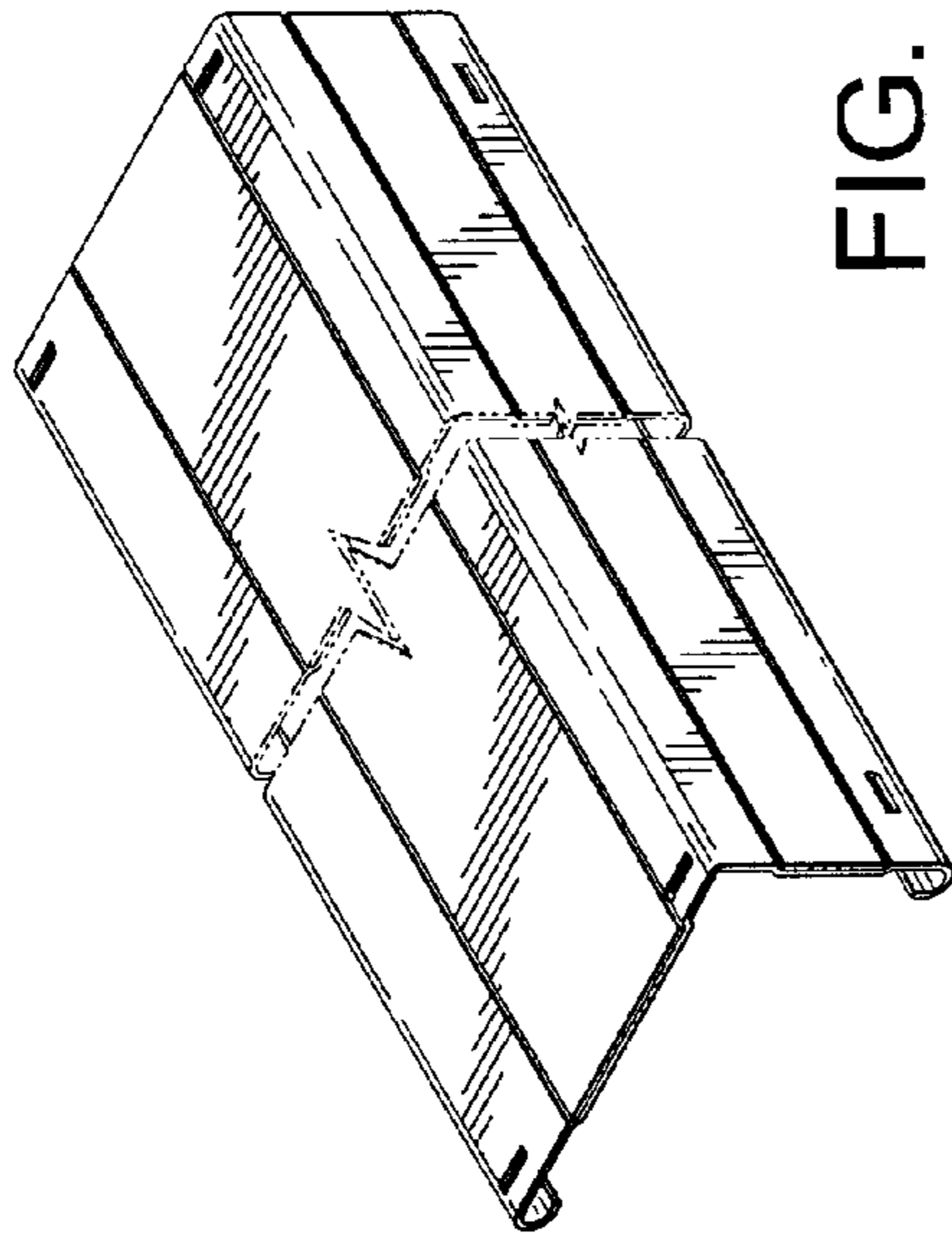


FIG. 1

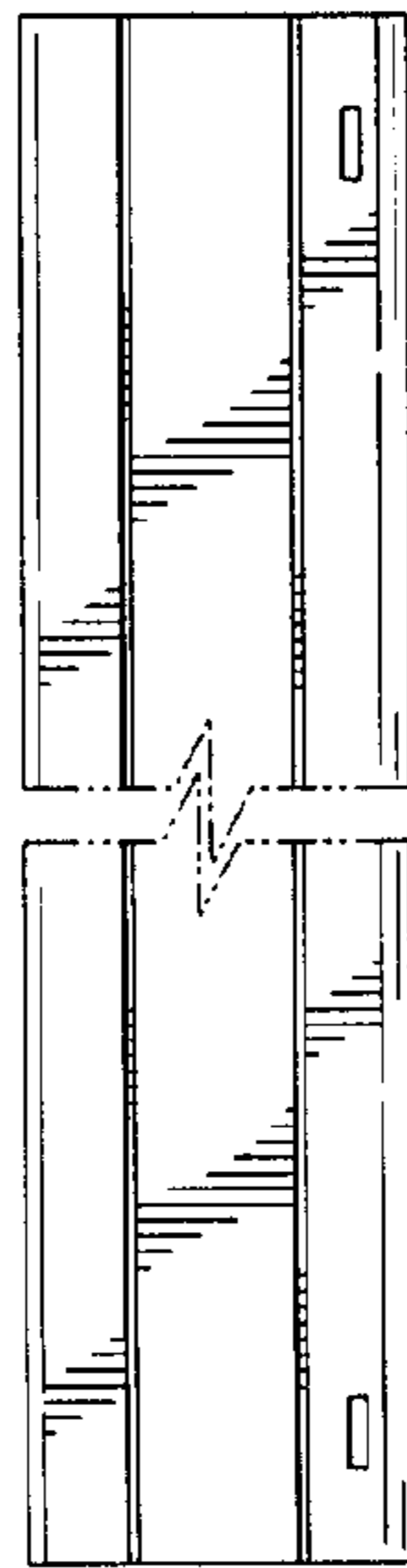


FIG. 2

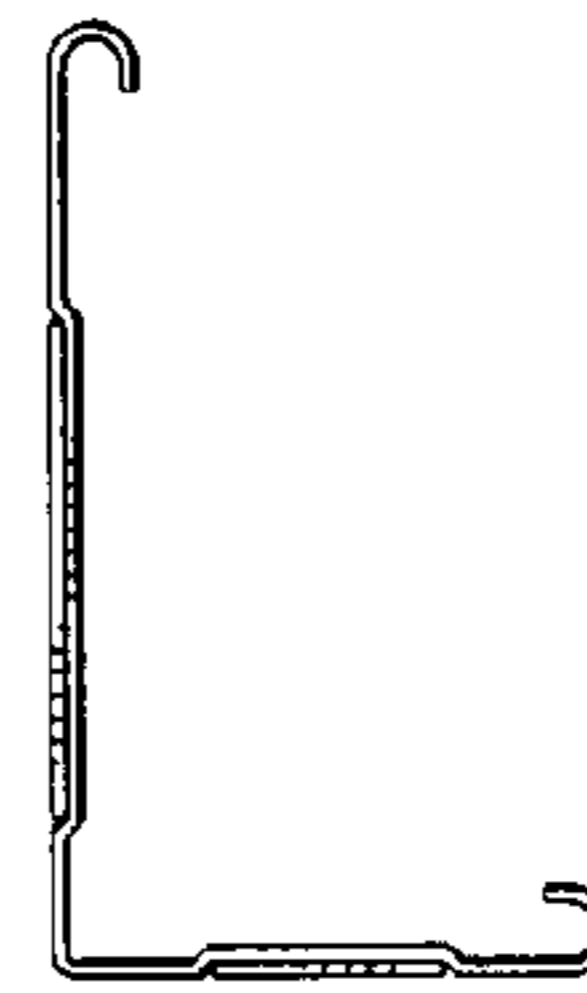


FIG. 3