

US00D507172S

(12) **United States Design Patent** (10) **Patent No.:** **US D507,172 S**  
**VanTichelt** (45) **Date of Patent:** **\*\* Jul. 12, 2005**

(54) **ARTICULATE SUPPORT ARM**  
 (75) Inventor: **Jake VanTichelt**, Vicksburg, MI (US)  
 (73) Assignee: **Command Electronics, Inc.**,  
 Schoolcraft, MI (US)  
 (\*\*) Term: **14 Years**

(21) Appl. No.: **29/203,142**  
 (22) Filed: **Apr. 9, 2004**  
 (51) **LOC (8) Cl.** ..... **08-05**  
 (52) **U.S. Cl.** ..... **D8/355**  
 (58) **Field of Search** ..... D8/355, 354, 380,  
 D8/363; 248/280.11, 122.1, 281.11, 124.1,  
 346.03; D24/177; D6/418; D14/452, 251

(56) **References Cited**

**U.S. PATENT DOCUMENTS**

3,910,538	A	*	10/1975	Baitella	.....	248/124.1
D246,534	S	*	11/1977	Buckley	.....	D24/177
4,548,373	A	*	10/1985	Komura	.....	248/122.1
4,953,822	A	*	9/1990	Sharber et al.	.....	248/281.11
D311,829	S	*	11/1990	Vossoughi	.....	D6/418
5,037,053	A	*	8/1991	Fox et al.	.....	248/280.11
D331,921	S	*	12/1992	Gutke et al.	.....	D14/452
5,348,260	A	*	9/1994	Acevedo	.....	248/280.11
D491,574	S	*	6/2004	Hung	.....	D14/452
D494,183	S	*	8/2004	Wills et al.	.....	D14/452
D495,240	S	*	8/2004	Mnich et al.	.....	D8/355

\* cited by examiner

*Primary Examiner*—Ruth McInroy  
*Assistant Examiner*—Terrence Huang  
 (74) *Attorney, Agent, or Firm*—Flynn, Thiel, Boutell &  
 Tanis, P.C.

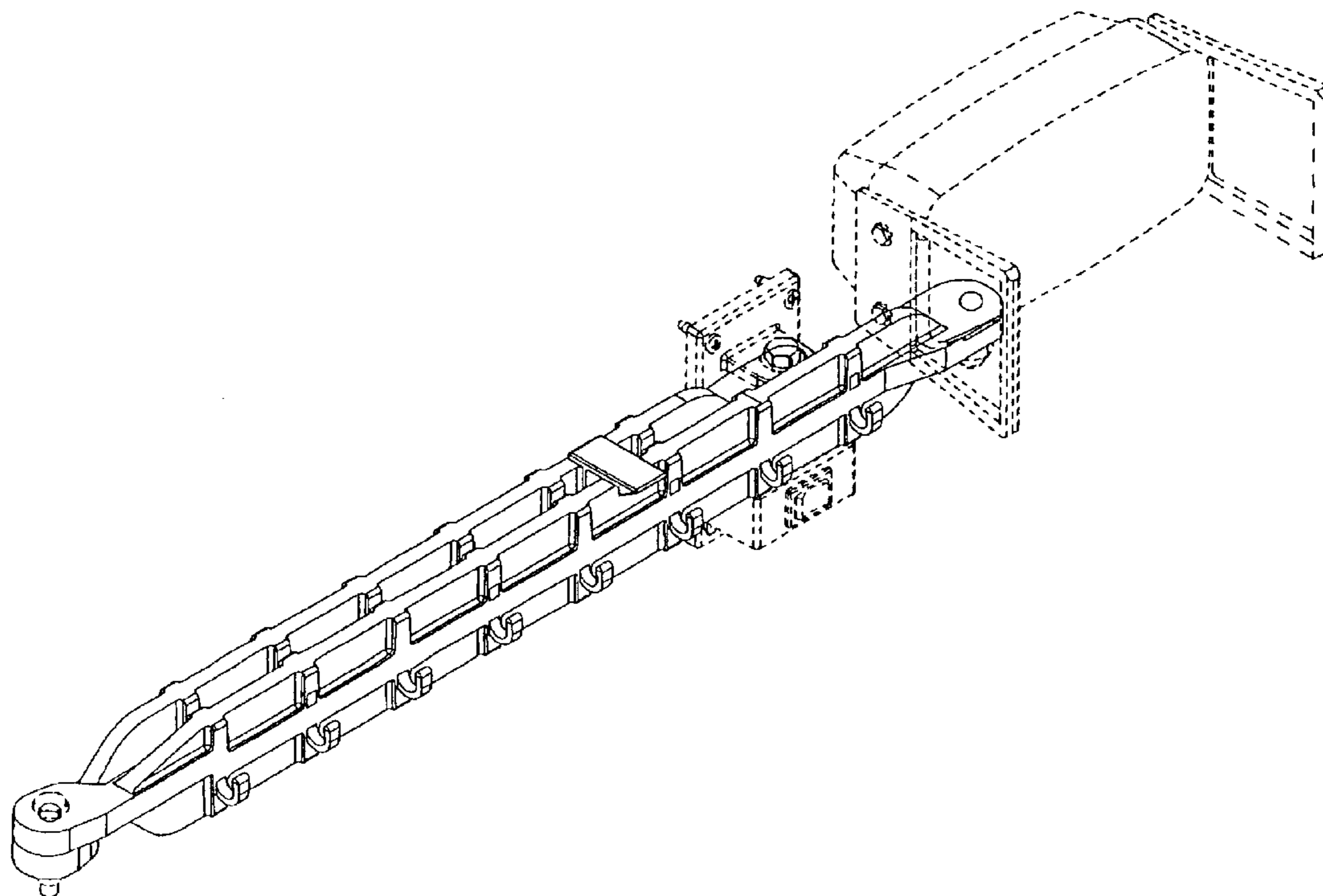
(57) **CLAIM**

The ornamental design for an articulate support arm, as shown and described.

**DESCRIPTION**

FIG. 1 is a top, front, left isometric view of the articulate support arm embodying the invention with the two support arms collapsed, the broken lines indicating features not forming a part of the design;  
 FIG. 2 is an isometric view similar to FIG. 1 but with the two support arms extended, the broken lines indicating features not forming a part of the design;  
 FIG. 3 is a front view of the first one of the two support arms;  
 FIG. 4 is a left end view of FIG. 3;  
 FIG. 5 is a right end edge view of FIG. 3;  
 FIG. 6 is a top view of FIG. 3;  
 FIG. 7 is a bottom view of FIG. 3;  
 FIG. 8 is a rear view of FIG. 3;  
 FIG. 9 is a front view of the second one of the two support arms;  
 FIG. 10 is a left end view of FIG. 9;  
 FIG. 11 is a right end view of FIG. 9;  
 FIG. 12 is a top view of FIG. 9;  
 FIG. 13 is a bottom view of FIG. 9; and,  
 FIG. 14 is a rear view of FIG. 9.  
 FIGS. 3–14 are shown separate for clarity of illustration.

**1 Claim, 6 Drawing Sheets**



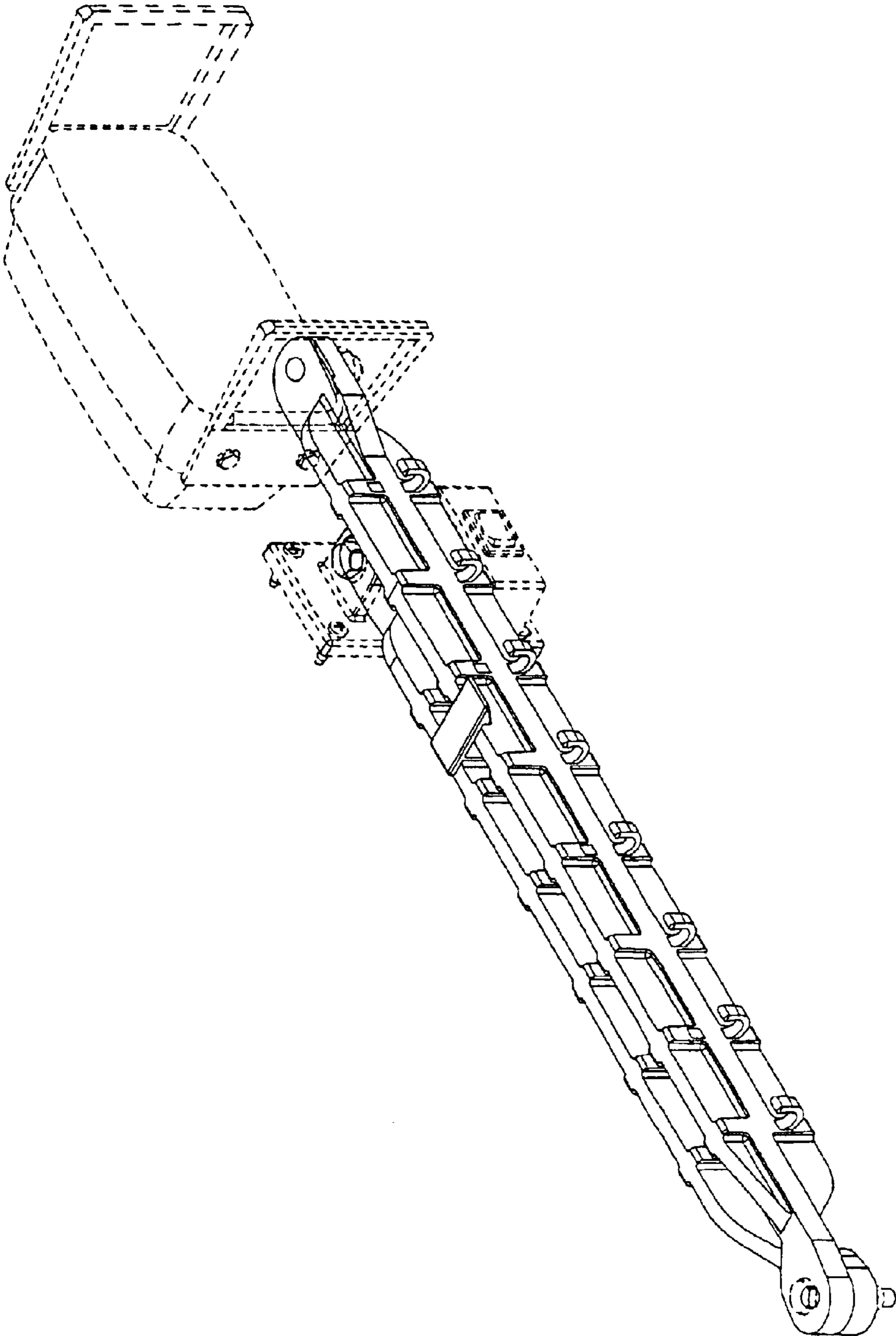


FIG. 1

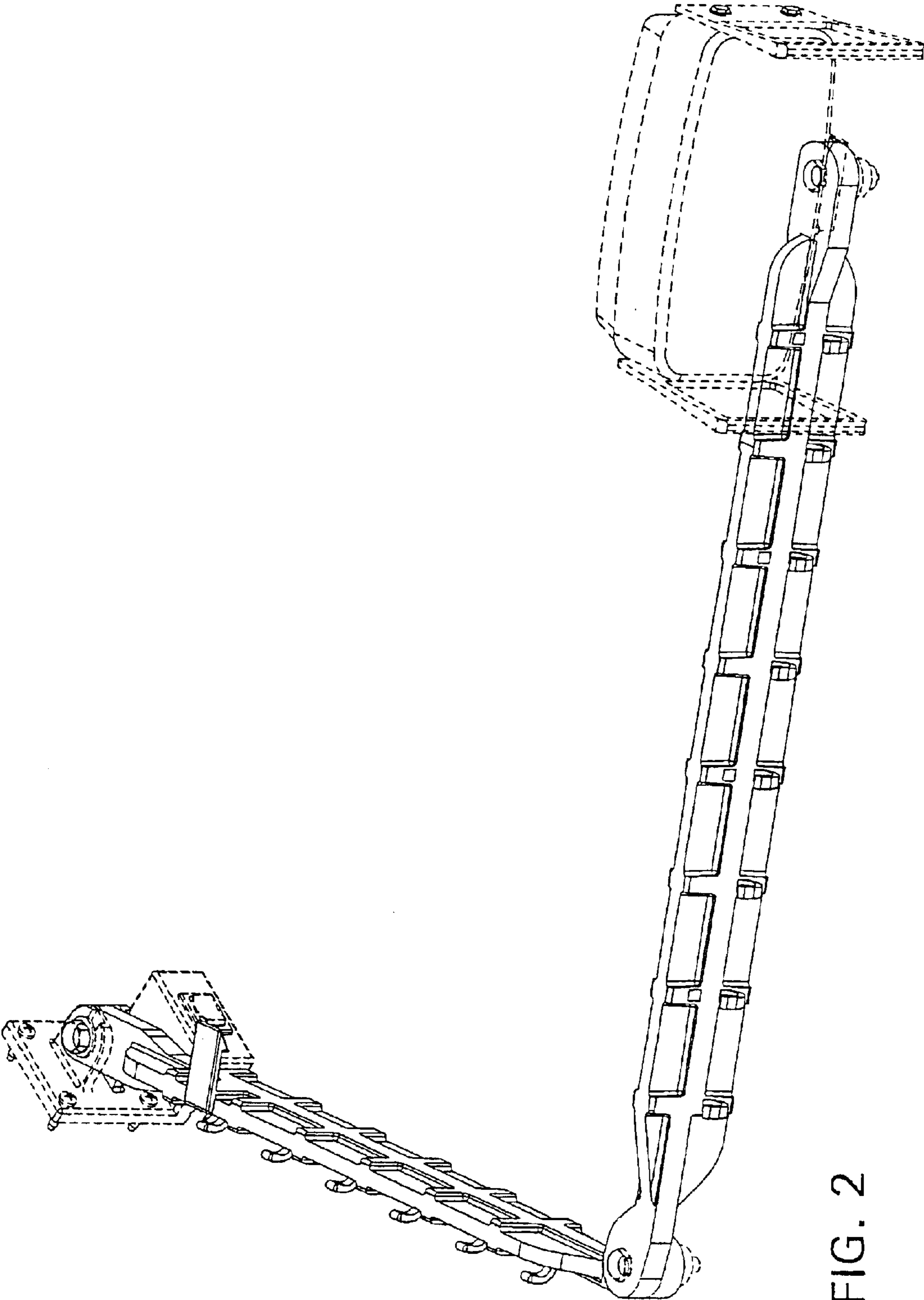


FIG. 2

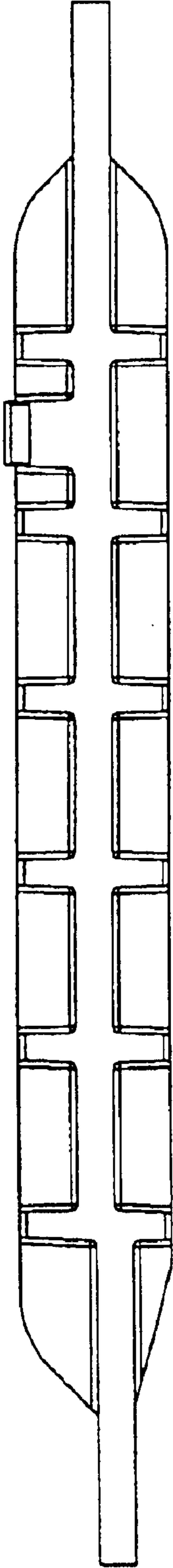


FIG. 3

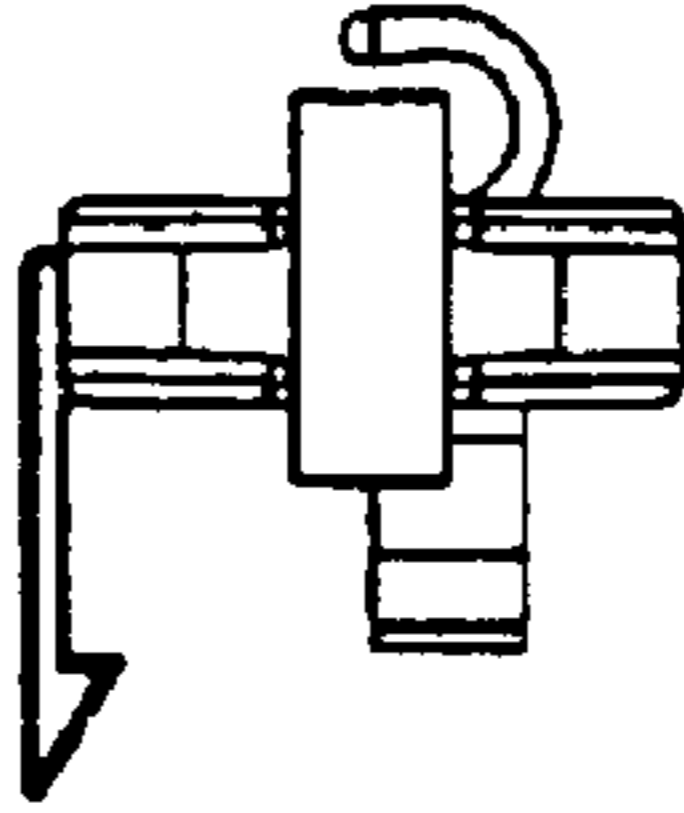


FIG. 4

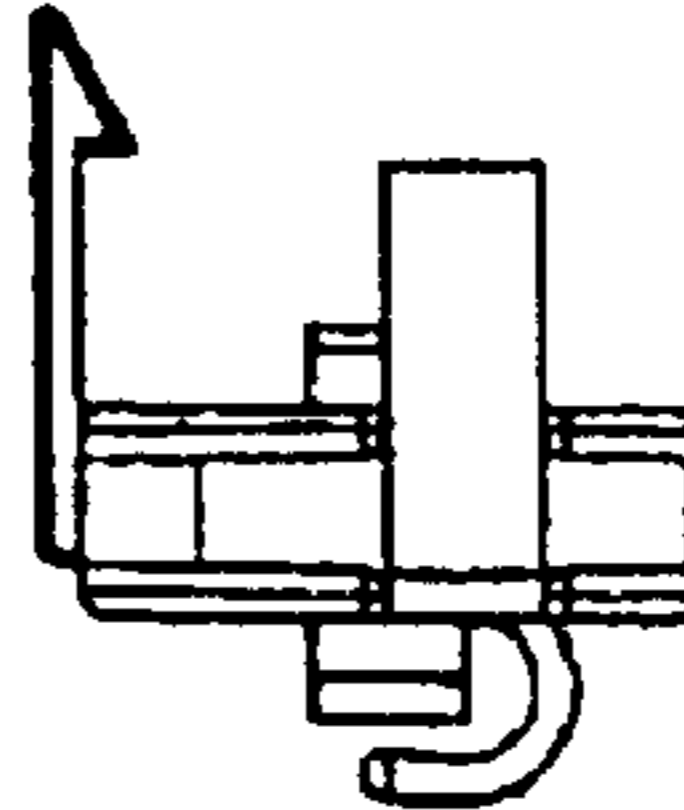


FIG. 5

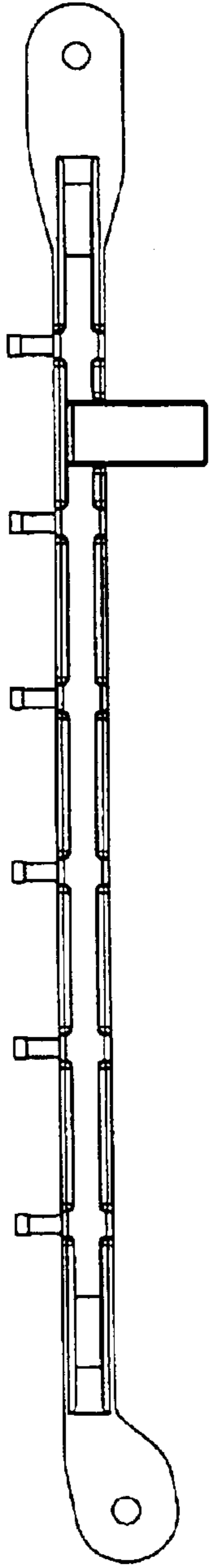


FIG. 6

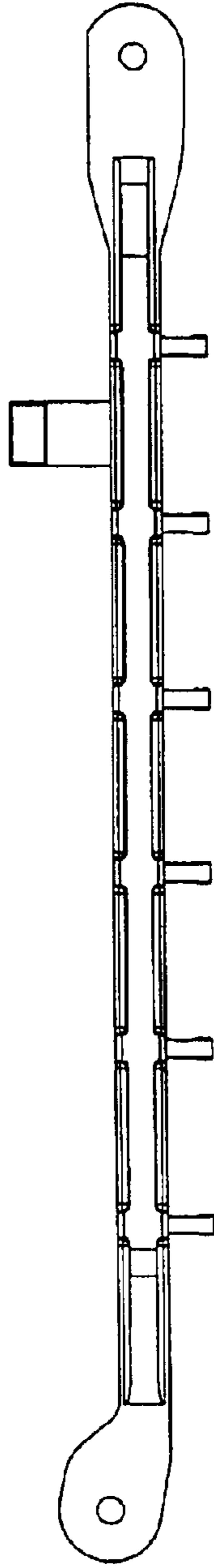


FIG. 7

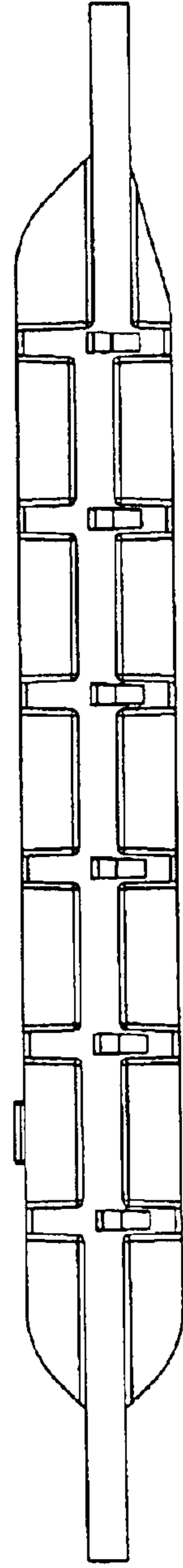


FIG. 8

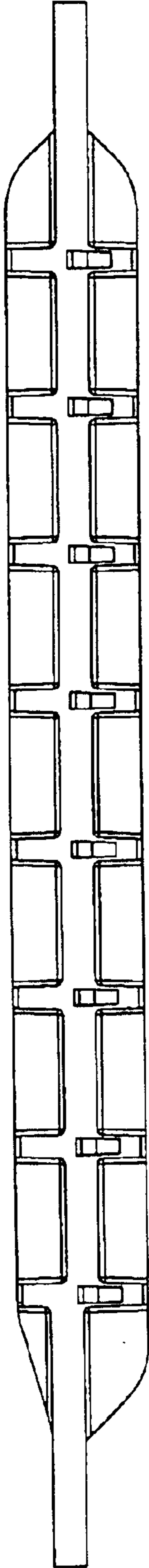


FIG. 9

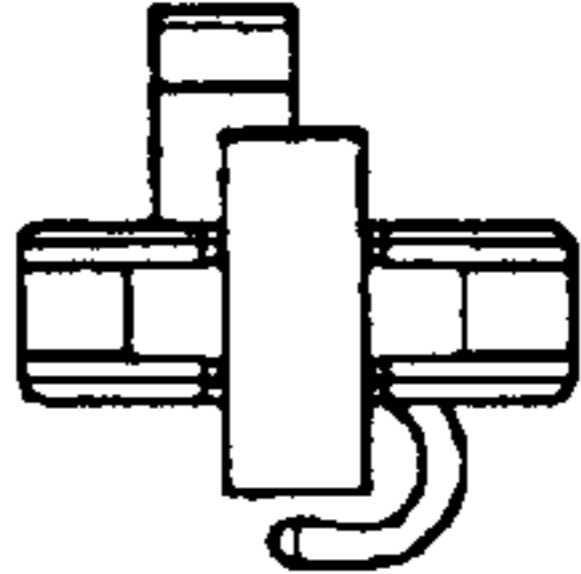


FIG. 10

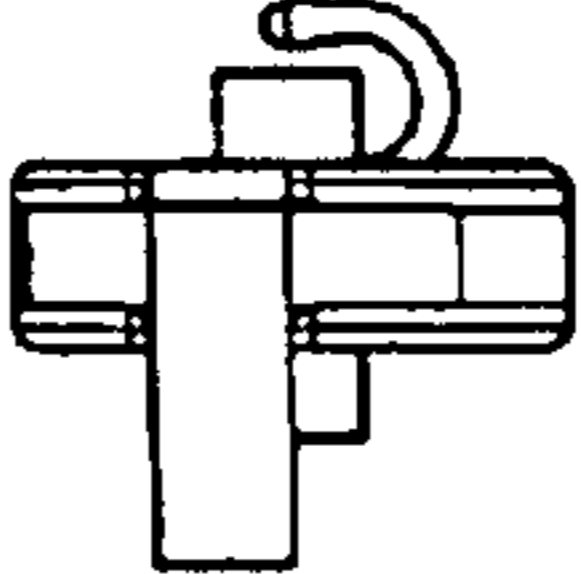


FIG. 11



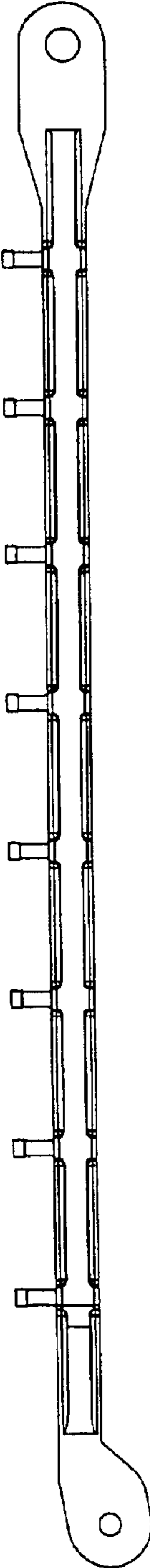


FIG. 12

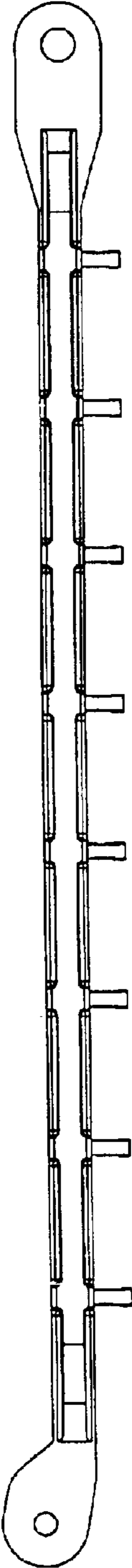


FIG. 13

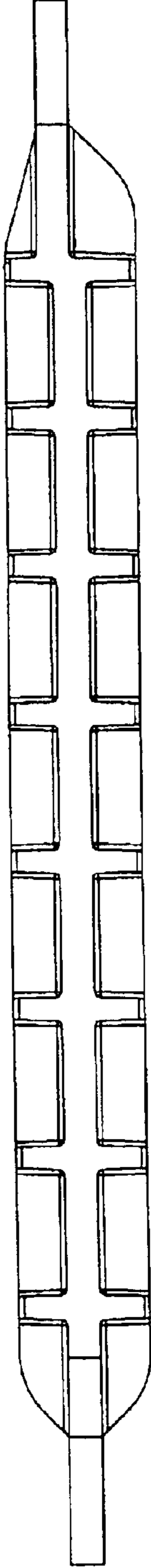


FIG. 14