

US00D507170S

(12) **United States Design Patent**
Franchini

(10) **Patent No.: US D507,170 S**
(45) **Date of Patent: ** Jul. 12, 2005**

(54) **LIFT OFF HINGE**
(75) **Inventor: Gian Carlo Franchini, Correggio (IT)**
(73) **Assignee: Elessa S.p.A., Milan (IT)**
(**) **Term: 14 Years**

(21) **Appl. No.: 29/203,620**
(22) **Filed: Apr. 16, 2004**

(30) **Foreign Application Priority Data**

Oct. 20, 2003 (EM) 000089669

(51) **LOC (8) Cl. 08-06**
(52) **U.S. Cl. D8/323**
(58) **Field of Search** D8/323, 324, 325,
D8/326, 327, 328, 329, 349, 354, 356;
16/234-237, 239, 241, 245-246, 249, 254,
261-262, 265, 272, 277, 307, 319, 335,
339, 342, 379, 381-383, 384, 385, 386,
387, 388, 389, 221, DIG. 13, DIG. 40,
DIG. 43; 4/236, 237, 238, 239, 240; D23/303;
248/200, 221.11, 300, 309.1, 317; D7/334,
337, 402

(56) **References Cited**

U.S. PATENT DOCUMENTS

D103,905 S * 3/1937 Welch D8/323
D299,485 S * 1/1989 Takahashi D8/323
D303,491 S * 9/1989 Bisbing D8/323
D303,492 S * 9/1989 Bisbing D8/323
4,937,916 A * 7/1990 Redman 16/389
D339,052 S * 9/1993 Bisbing D8/323

D339,518 S * 9/1993 Bisbing D8/323
D348,823 S * 7/1994 Bisbing D8/323
D425,774 S * 5/2000 Ford et al. D8/323
6,178,598 B1 * 1/2001 Creely et al. 16/342
D447,679 S * 9/2001 Parisi D8/323

OTHER PUBLICATIONS

Edge mounted commercial refrigerator hinges, p. 2 National Lock, sheet from 1962 Sweet's catalogu.*

* cited by examiner

Primary Examiner—Gary D. Watson
Assistant Examiner—T. Chase Nelson
(74) *Attorney, Agent, or Firm*—Pearne & Gordon LLP

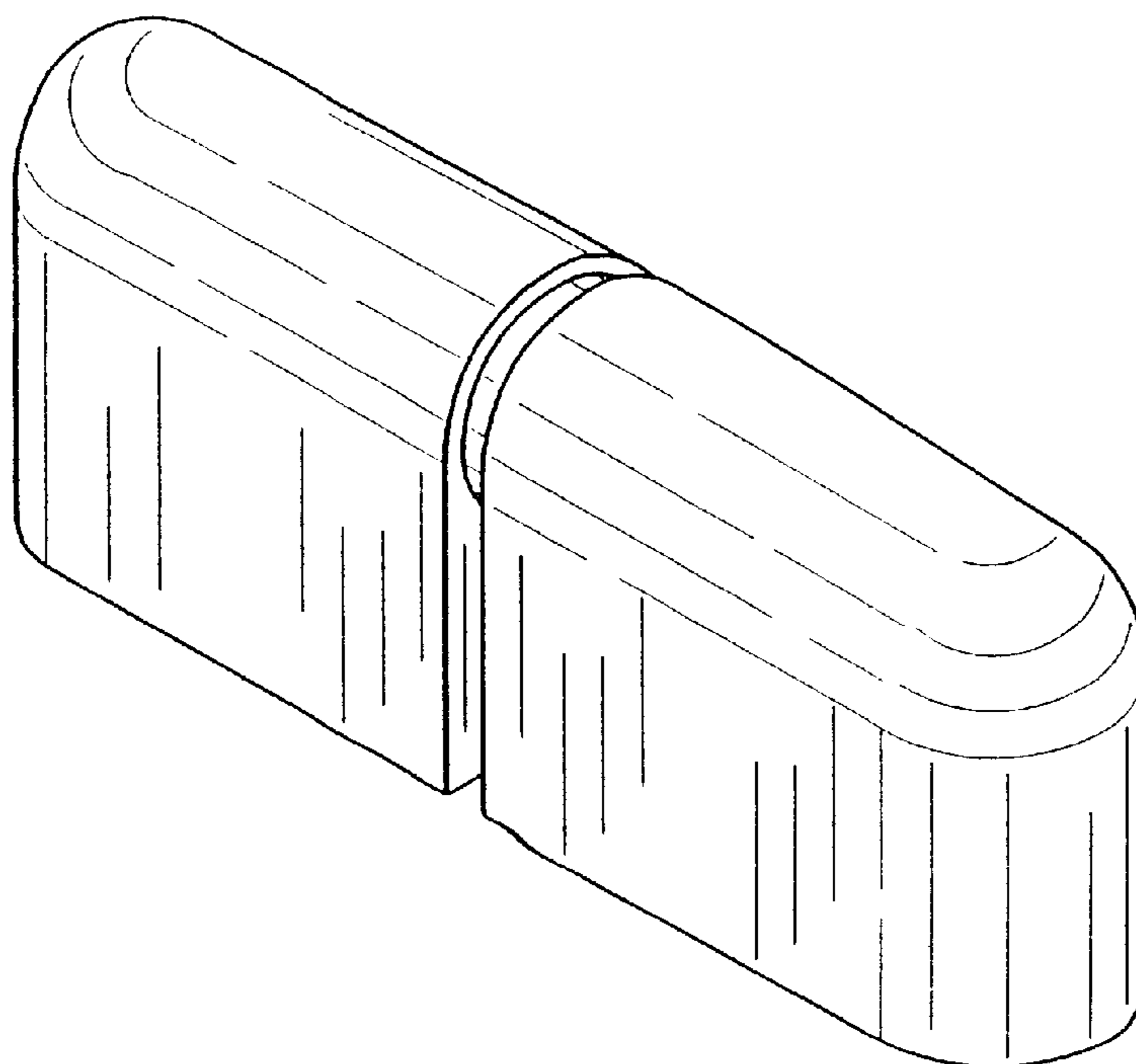
(57) **CLAIM**

The ornamental design for a lift off hinge, as shown and described.

DESCRIPTION

FIG. 1 is a perspective view of my new design for a lift off hinge;
FIG. 2 is an exploded view thereof embraced by a bracket, forming no part of the claimed design, but indicating the relationship and order of the separated parts;
FIG. 3 is a top view of FIG. 1;
FIG. 4 is a front view of FIG. 1, a back view being the same; and,
FIG. 5 is a right side view of FIG. 1, a left side view being the same.
The bottom surfaces of the lift off hinge form no part of the claimed design.

1 Claim, 2 Drawing Sheets



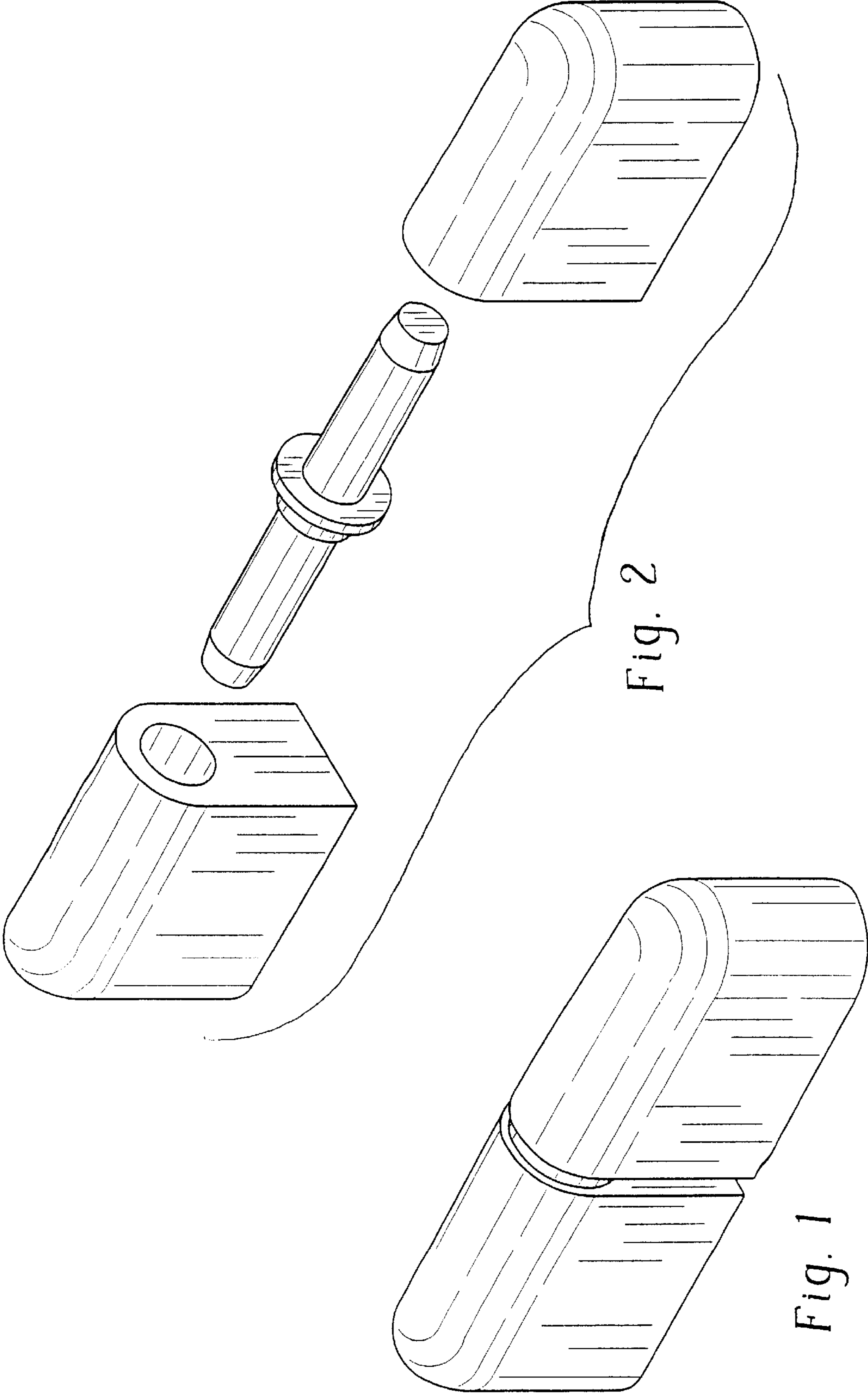


Fig. 2

Fig. 1

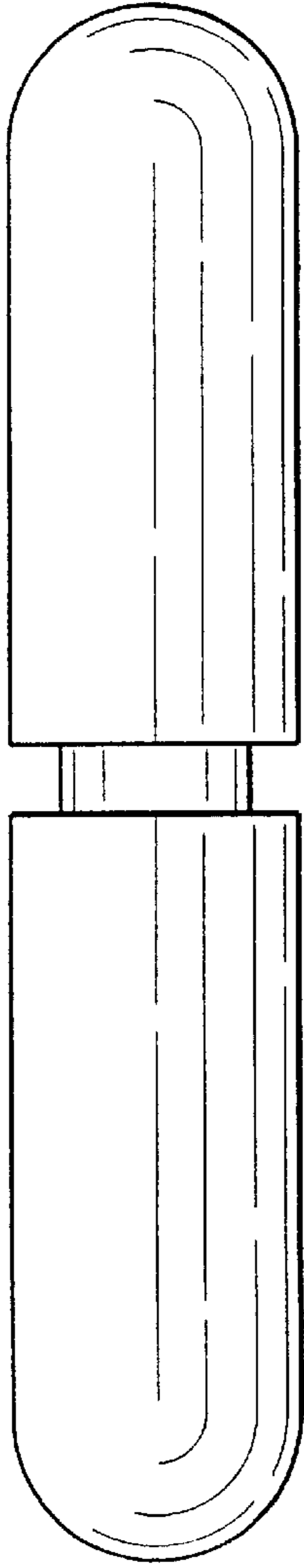


Fig. 3

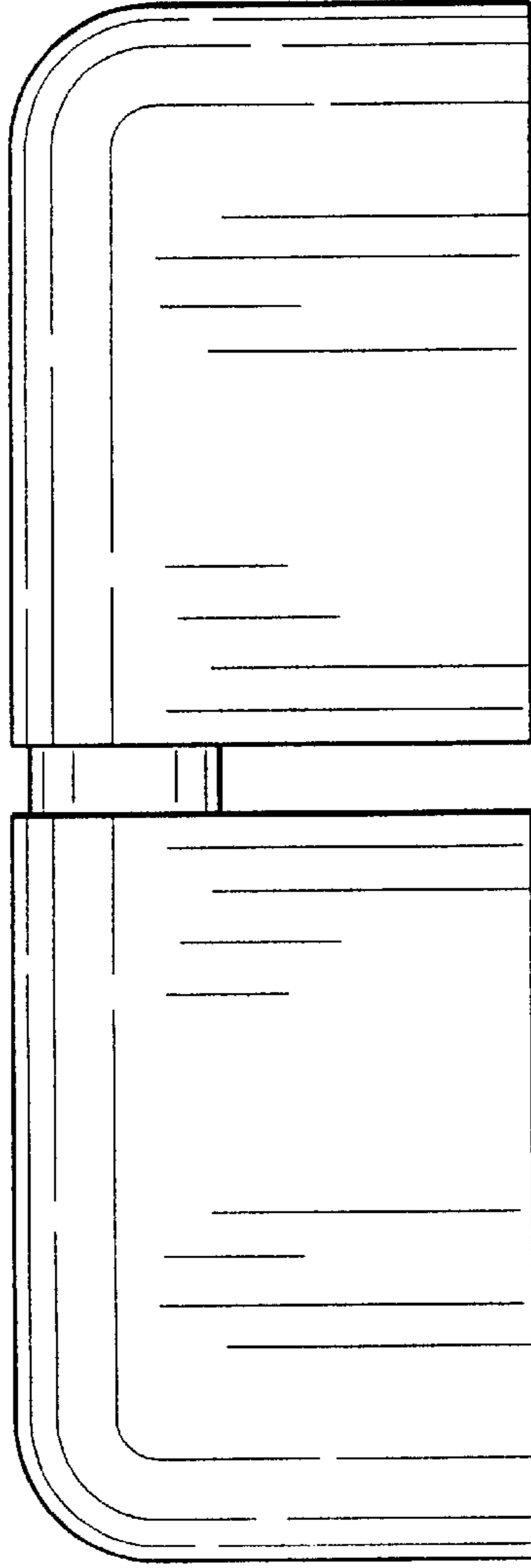


Fig. 4

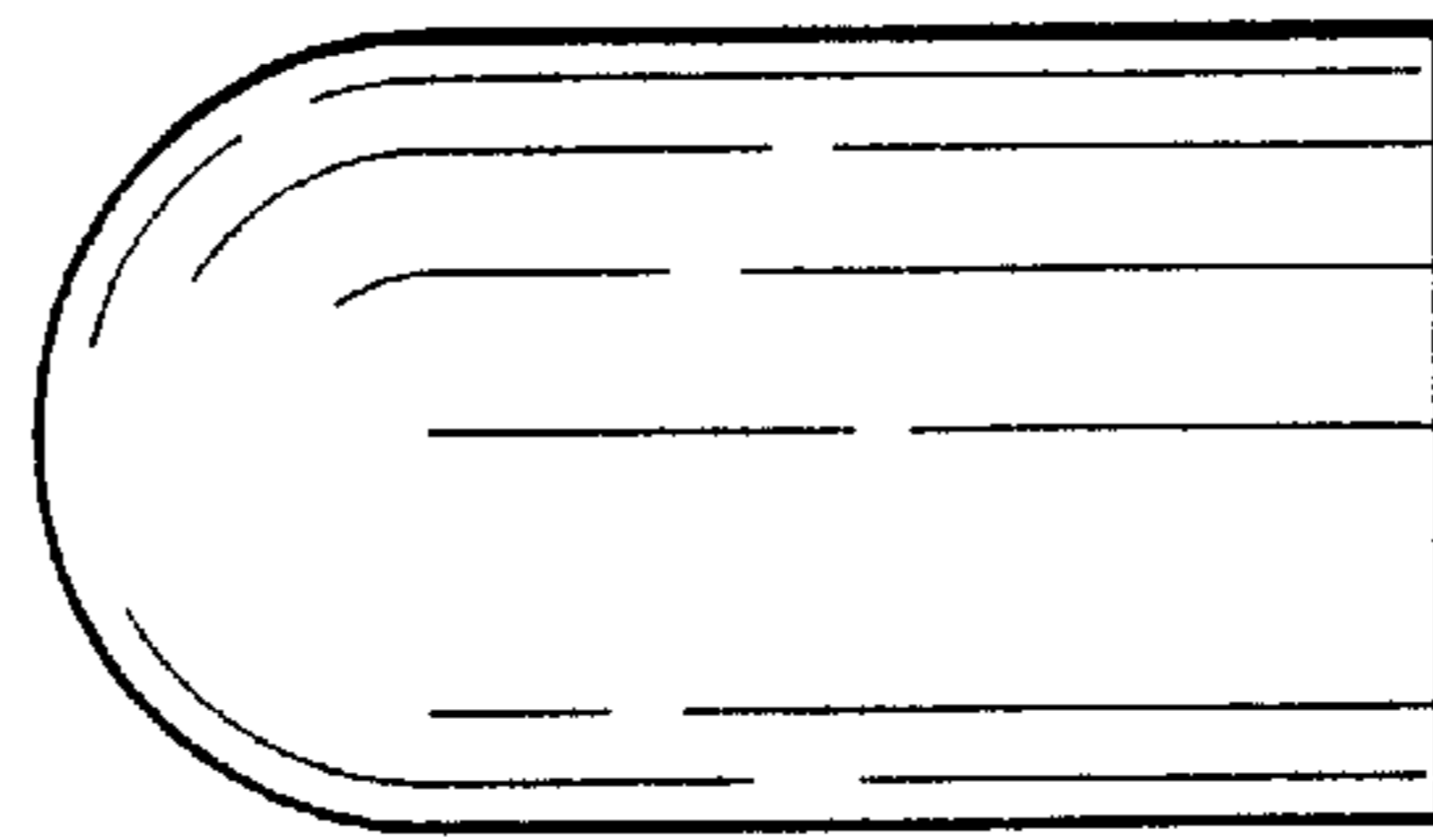


Fig. 5

UNITED STATES PATENT AND TRADEMARK OFFICE
CERTIFICATE OF CORRECTION

PATENT NO. : Des. 507,170 S
DATED : July 12, 2005
INVENTOR(S) : Gian Carlo Franchini

Page 1 of 1

It is certified that error appears in the above-identified patent and that said Letters Patent is hereby corrected as shown below:

Title page,

Item [56], **References Cited**, OTHER PUBLICATIONS, please delete "Edge mounted commercial refrigerator hinges, p. 2 National Lock, sheet from 1962 Sweet's catalogu.", and insert therefor -- Edge mounted commercial refrigerator hinges, p. 2, National Lock, D8 digest box D8/323-9, sheet from 1962 Sweet's catalogu in the D8 section of the Design Library section of the Biotech Library. --.

Signed and Sealed this

Sixth Day of September, 2005

A handwritten signature in black ink on a light gray dotted background. The signature reads "Jon W. Dudas" in a cursive style.

JON W. DUDAS

Director of the United States Patent and Trademark Office