

US00D507168S

(12) **United States Design Patent** (10) **Patent No.:** **US D507,168 S**
Richard, Jr. (45) **Date of Patent:** **** Jul. 12, 2005**

(54) **SANITARY LIFTING HANDLE WITH PRESSURE ADHESIVE FOR TOILET SEAT**

(76) **Inventor:** **James M. Richard, Jr.**, 4436 Pine Lake Rd., 1 Front, Bonita Springs, FL (US) 34134

(**) **Term:** **14 Years**

(21) **Appl. No.:** **29/185,721**

(22) **Filed:** **Jul. 3, 2003**

(51) **LOC (8) Cl.** **08-06**

(52) **U.S. Cl.** **D8/307**

(58) **Field of Search** D7/395, 688, 697; D8/107, 300, 305-311, DIG. 1, DIG. 10; D23/71, 309, 211, 252, 311; 4/237, 246.1; 16/11 R, 111 R, 422, 443, 903, 905

(56) **References Cited**

U.S. PATENT DOCUMENTS

1,999,555 A	4/1935	Adams	
2,473,082 A	6/1949	Warner	
D191,497 S	* 10/1961	Hottle	D8/300
D197,701 S	* 3/1964	Riegelman	D8/300
3,156,021 A	* 11/1964	Thompson	49/460
3,191,193 A	* 6/1965	Bogenberger	4/246.1
3,717,884 A	* 2/1973	Mantooth	4/237
D237,797 S	* 11/1975	Hermann	D8/307
4,150,446 A	4/1979	Crocker	
D304,144 S	* 10/1989	Gecchelin	D7/688
D325,510 S	* 4/1992	Slye	D8/307
5,220,693 A	* 6/1993	Paglia	4/246.1

D361,369 S	* 8/1995	Garner	D23/252
D363,344 S	* 10/1995	Hazard	D8/307
5,727,258 A	3/1998	Derouin	
D406,884 S	3/1999	Goss	
D422,461 S	* 4/2000	Gessert	D7/688
D426,875 S	* 6/2000	Weatherbee	D23/311

* cited by examiner

Primary Examiner—Prabhakar Deshmukh

Assistant Examiner—Jean E. McCormick

(74) *Attorney, Agent, or Firm*—Donald R. Schoonover

(57) **CLAIM**

I claim the ornamental design for a sanitary lifting handle with pressure adhesive for toilet seat, as shown and described.

DESCRIPTION

FIG. 1 is a top, front and side perspective view of a sanitary lifting handle with pressure adhesive for toilet seat showing my new design;

FIG. 2 is a top plan view thereof;

FIG. 3 is a front elevational view thereof;

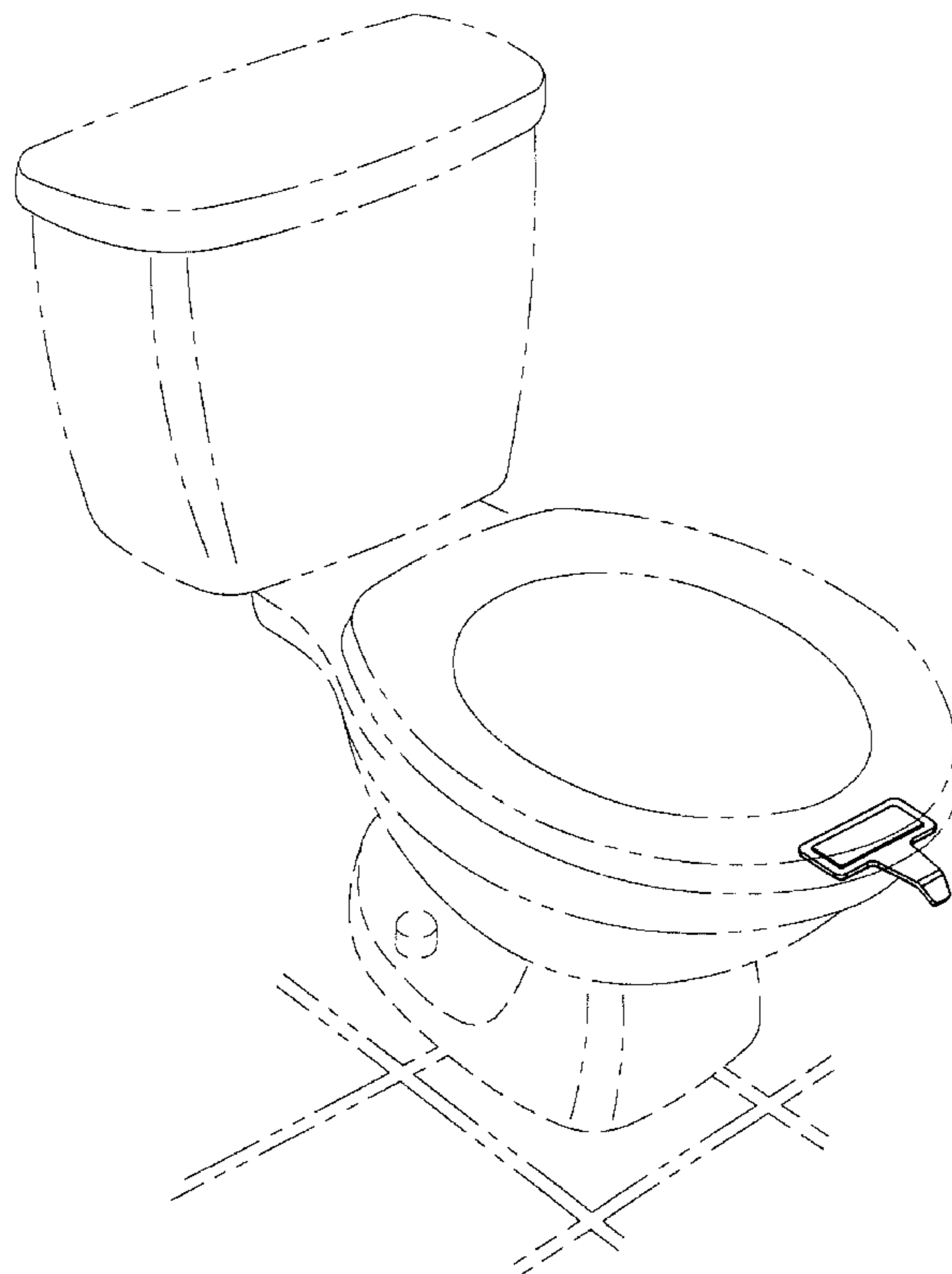
FIG. 4 is a right side elevational view thereof, the left side elevational view being a mirror image thereof;

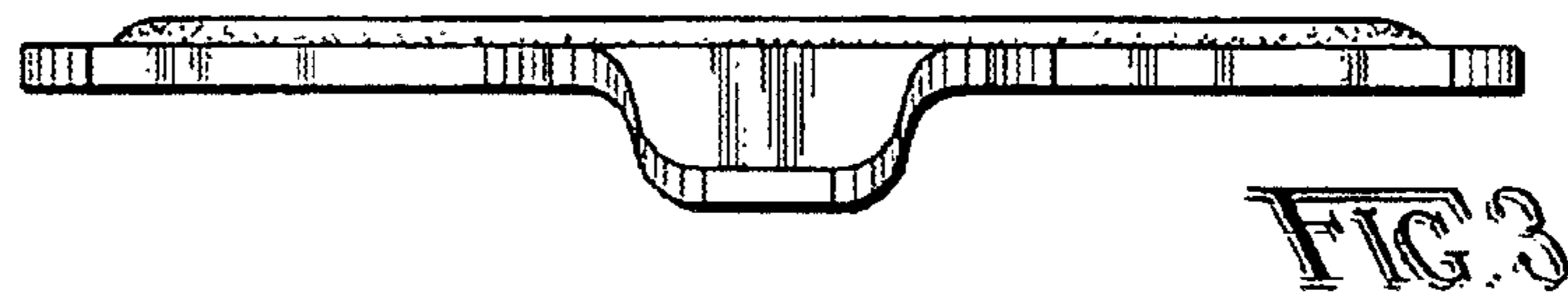
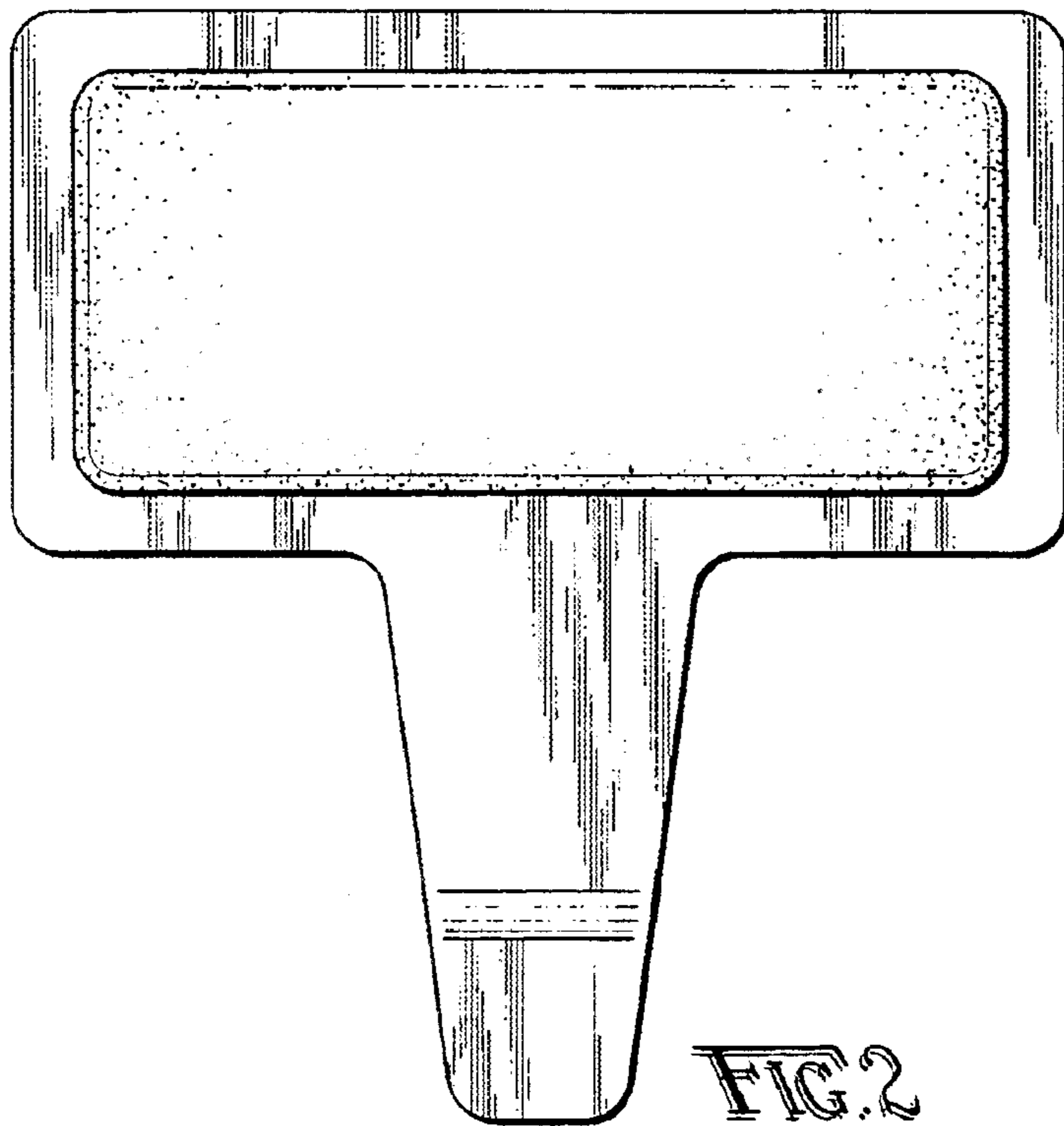
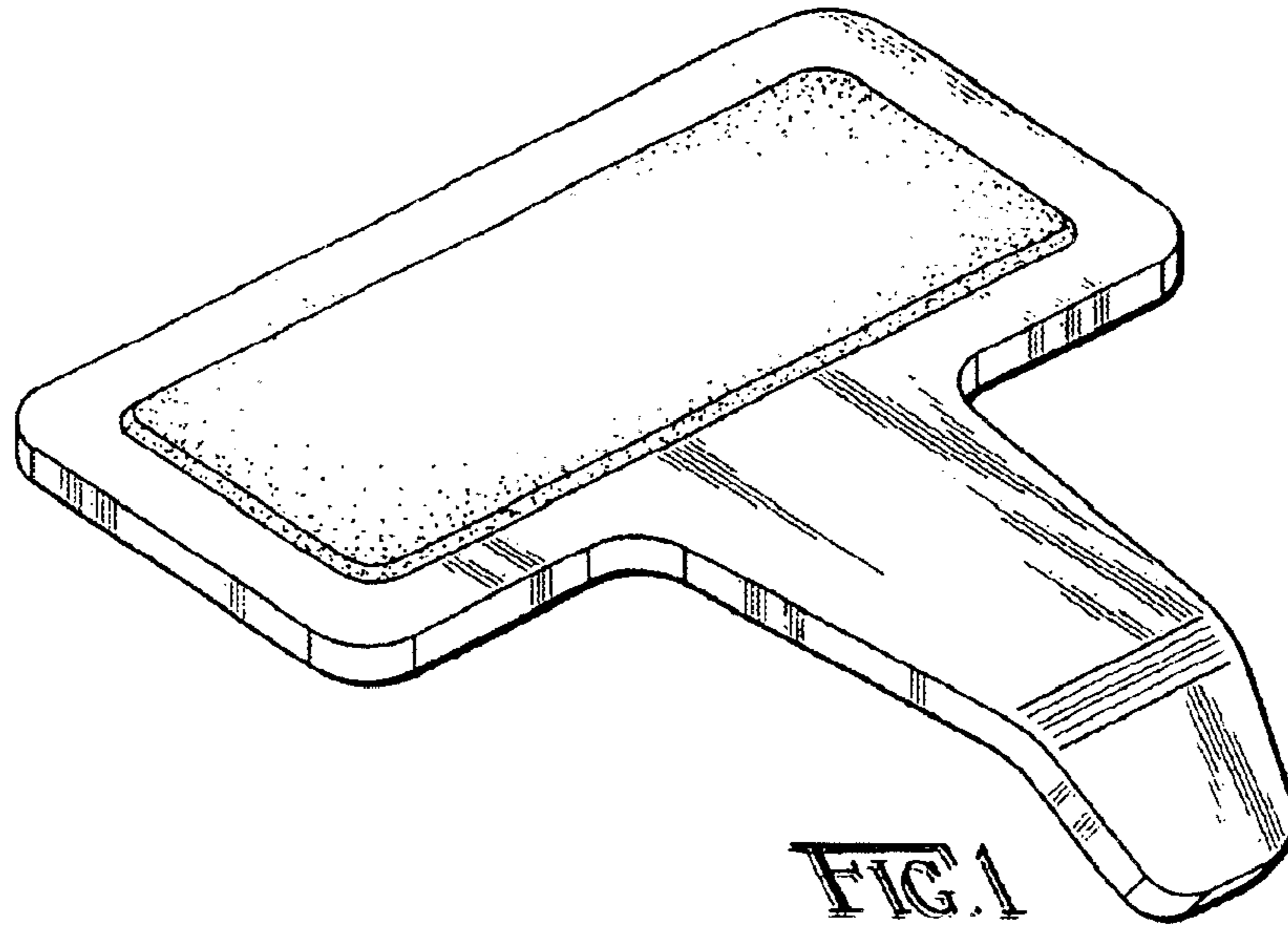
FIG. 5 is a rear elevational view thereof;

FIG. 6 is a bottom plan view thereof; and,

FIG. 7 is a reduced perspective view showing the sanitary lifting handle with pressure adhesive for toilet seat in use; the broken lines depict environmental structure for illustrative purposes only and form no part of the claimed design.

1 Claim, 3 Drawing Sheets





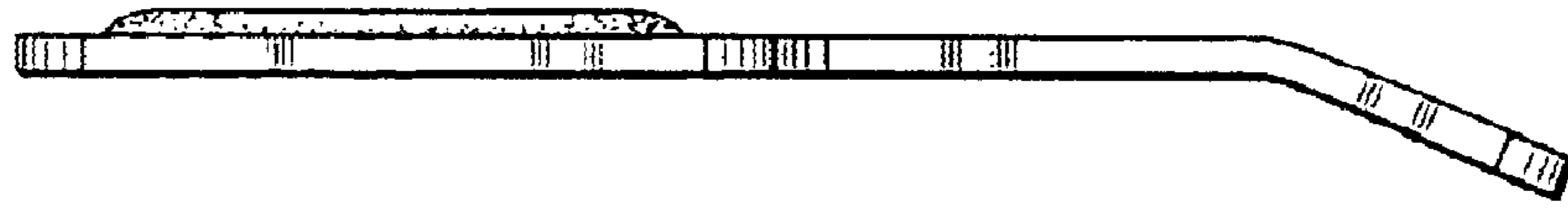


FIG. 4

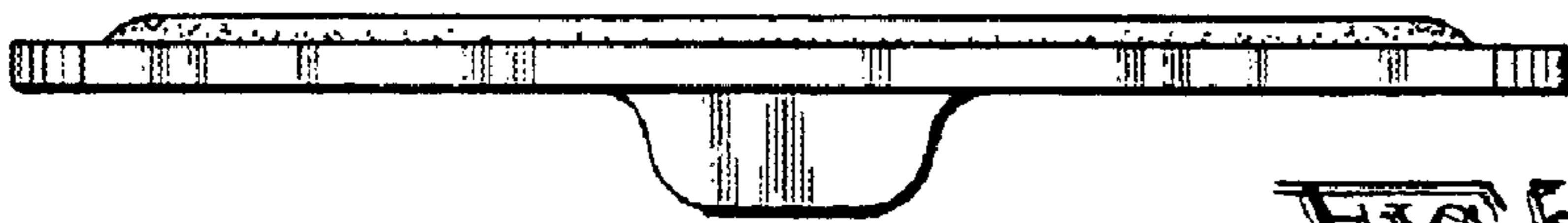


FIG. 5

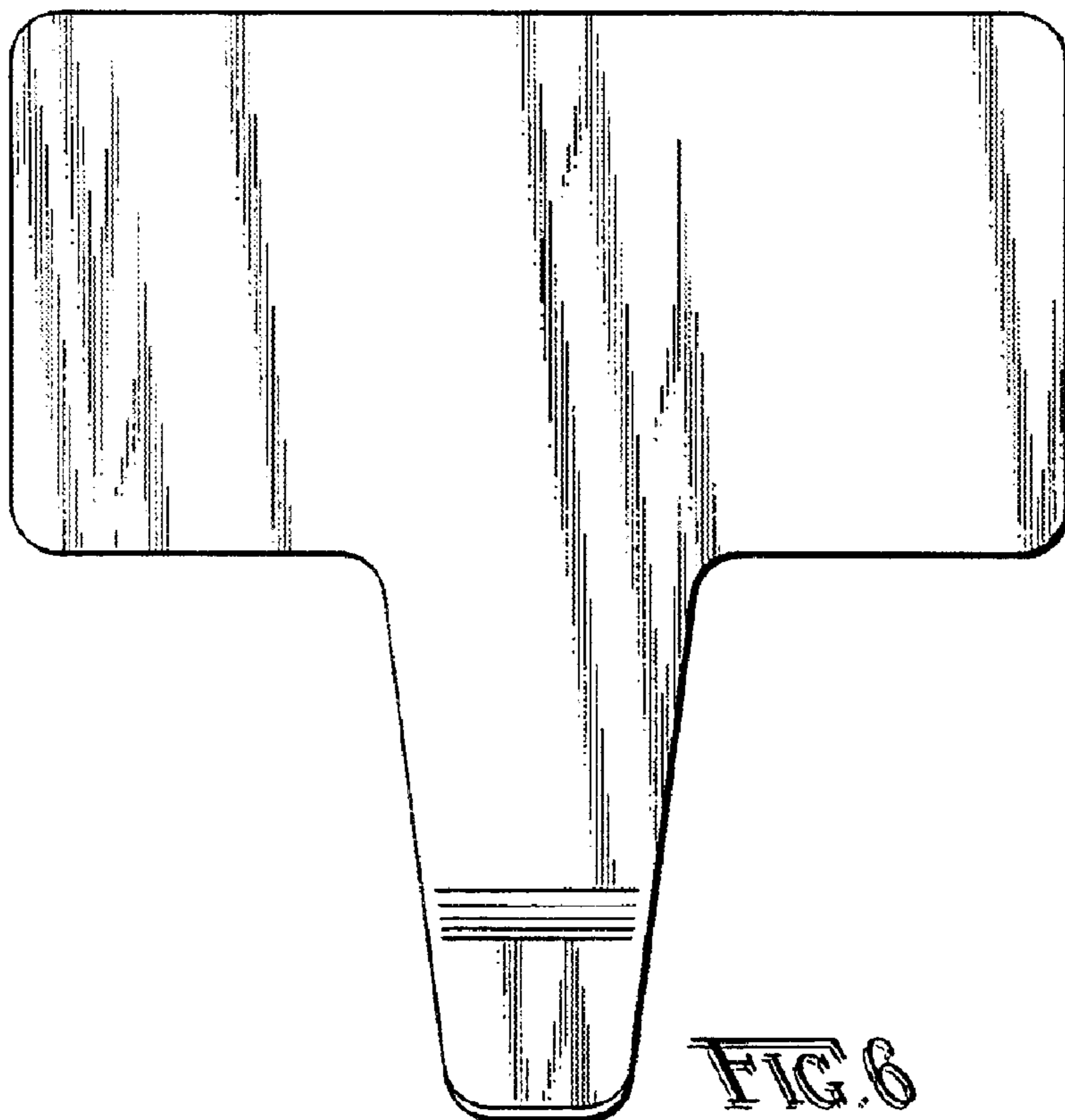


FIG. 6

