



US00D507159S

(12) **United States Design Patent**
Lee

(10) **Patent No.: US D507,159 S**
(45) **Date of Patent: ** Jul. 12, 2005**

(54) **SALAD GRATER**

3,589,421 A * 6/1971 Locker 241/95
4,003,522 A * 1/1977 Buckley 241/95

(75) Inventor: **Shek Tang Lee, Hong Kong (HK)**

* cited by examiner

(73) Assignee: **Hung Sang Metal Plastic Factory Limited, Hong Kong (CN)**

Primary Examiner—Terry A. Wallace
(74) *Attorney, Agent, or Firm*—Harrison & Egbert

(**) Term: **14 Years**

(57) **CLAIM**

(21) Appl. No.: **29/202,736**

I claim the ornamental design for a salad grater, as shown and described.

(22) Filed: **Apr. 5, 2004**

(30) **Foreign Application Priority Data**

DESCRIPTION

Mar. 15, 2004 (HK) 0410568

FIG. 1 is a front elevation view of the salad grater showing my design.

(51) **LOC (8) Cl.** **07-04**

FIG. 2 is a side view thereof;

(52) **U.S. Cl.** **D7/678**

FIG. 3 is an opposite side view thereof;

(58) **Field of Search** D7/678, 381–385,
D7/412, 538–542; 241/93–95, 100, 168,
273.1–273.4

FIG. 4 is a top plan view thereof;

FIG. 5 is a bottom view thereof;

FIG. 6 is a back view thereof;

(56) **References Cited**

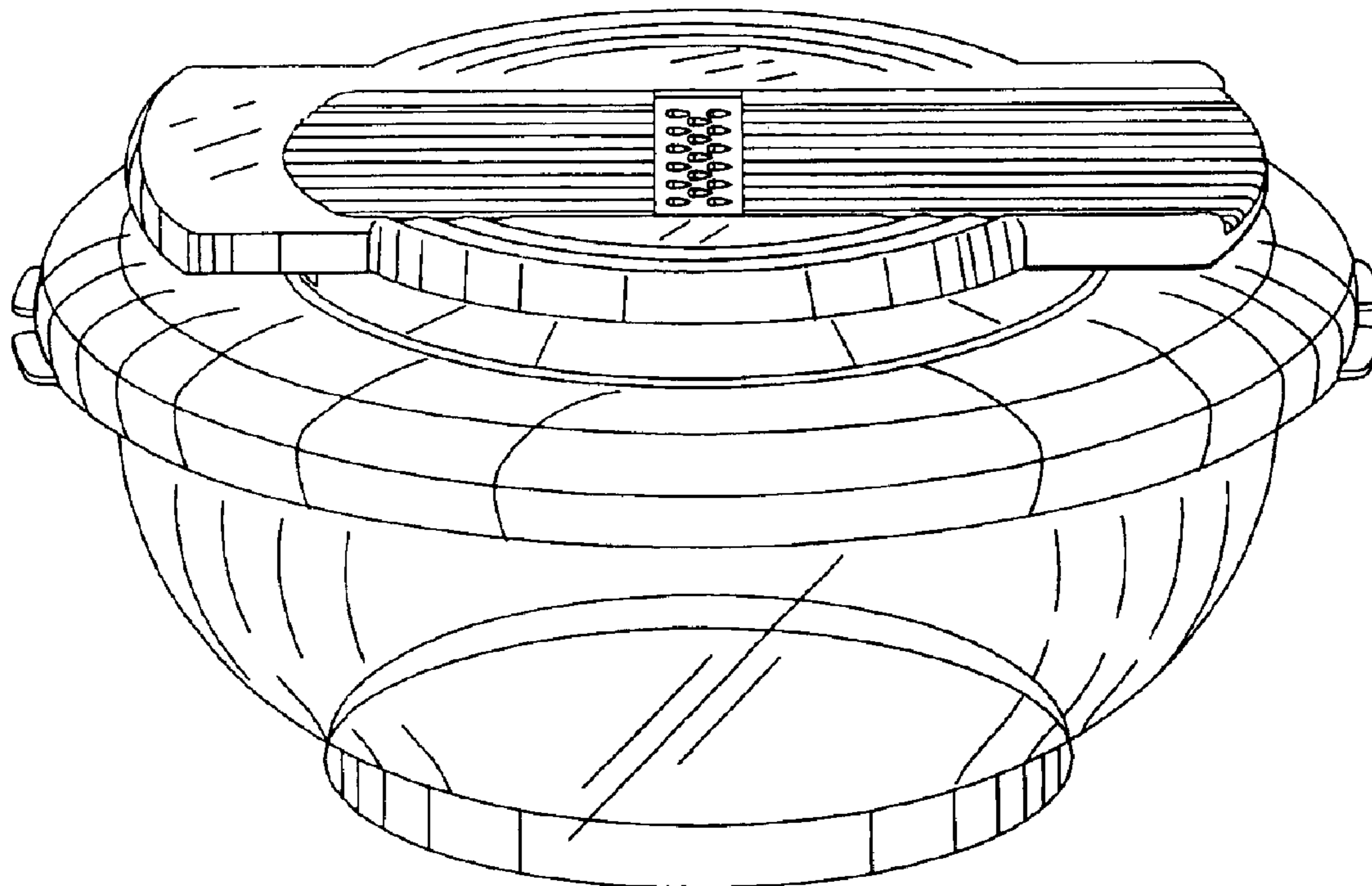
FIG. 7 is an upper perspective view thereof; and,

FIG. 8 is an exploded perspective view thereof.

U.S. PATENT DOCUMENTS

2,741,286 A * 4/1956 Bittle 241/95

1 Claim, 8 Drawing Sheets



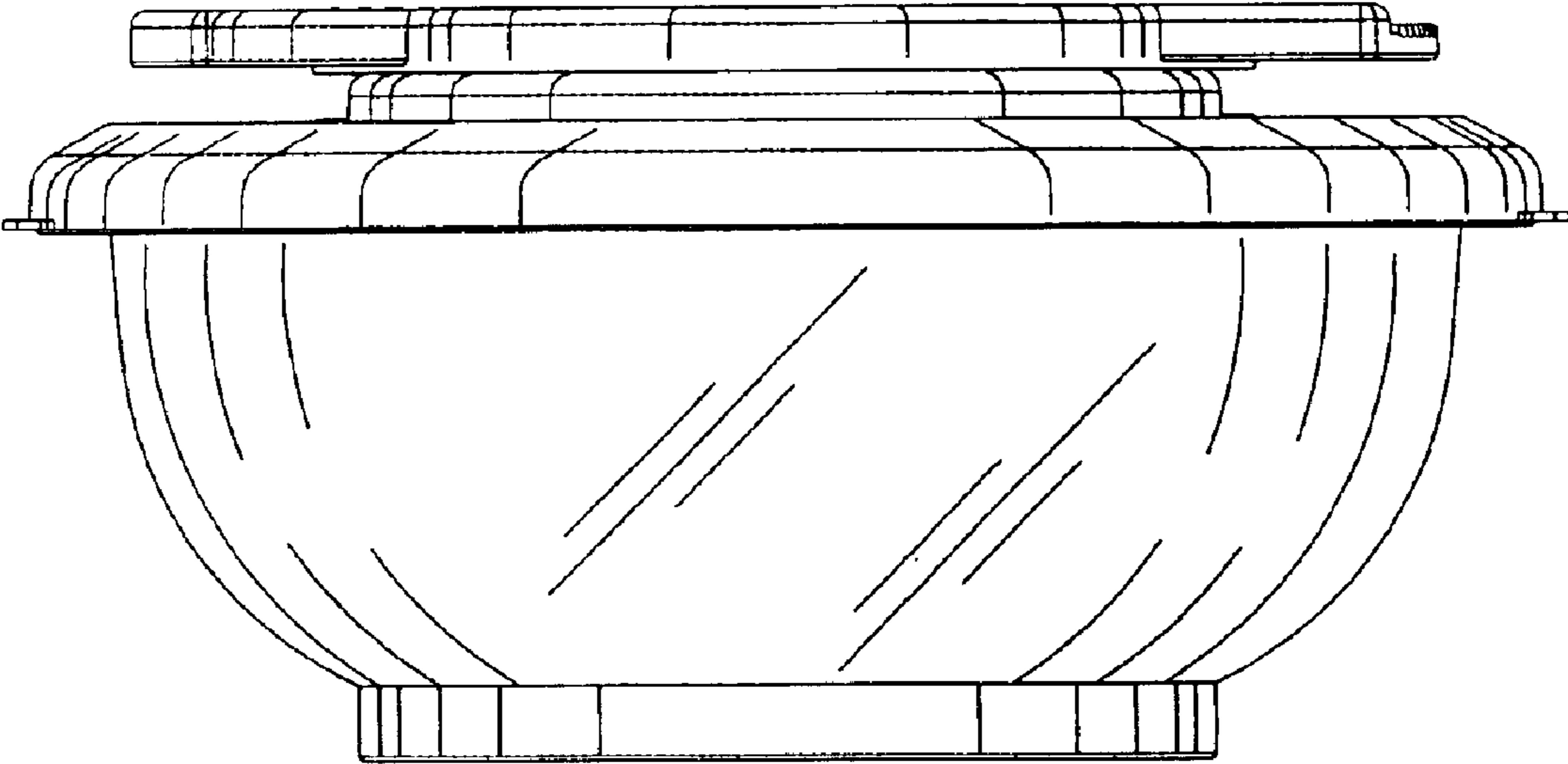


FIG. 1

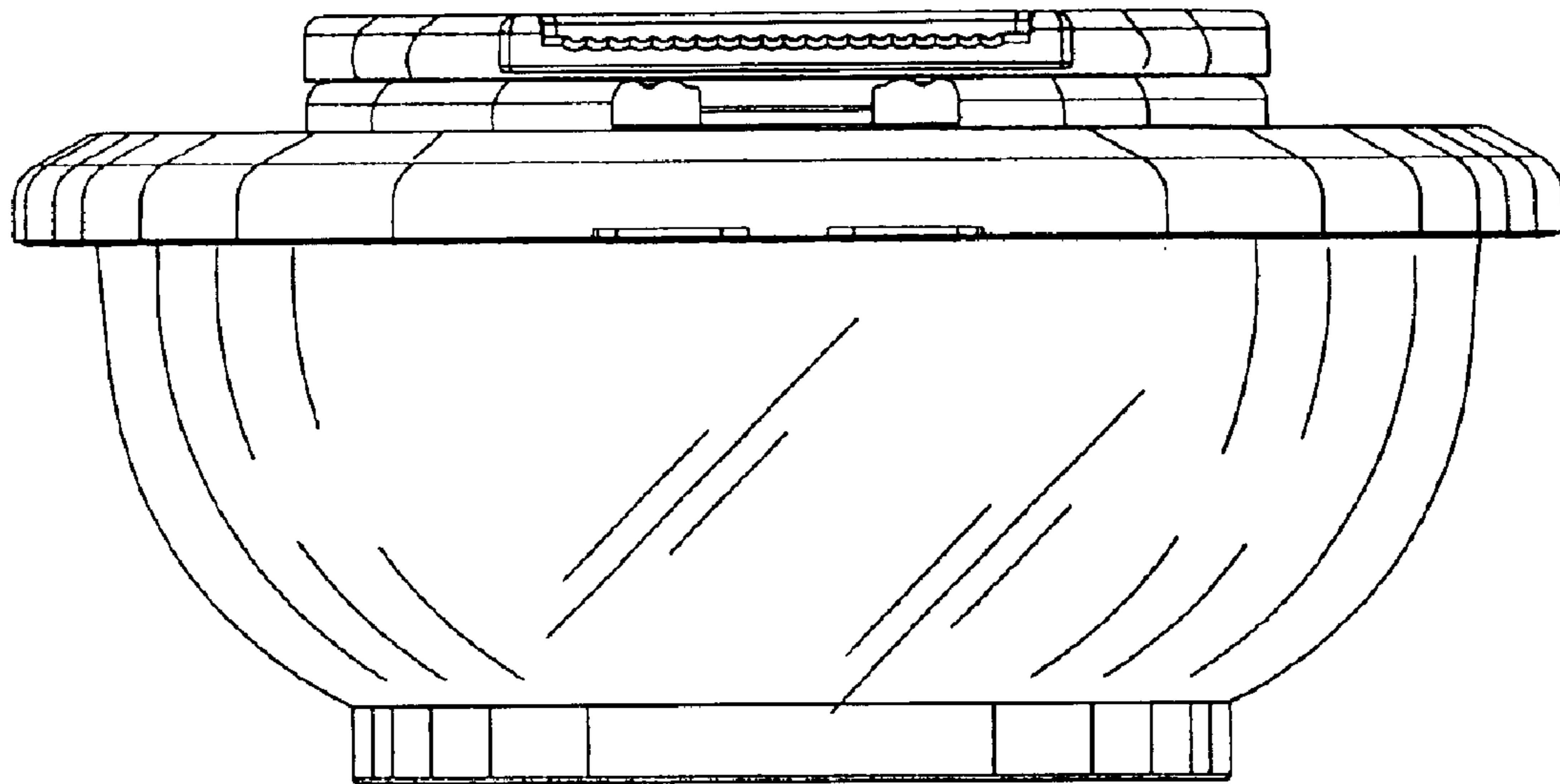


FIG.2

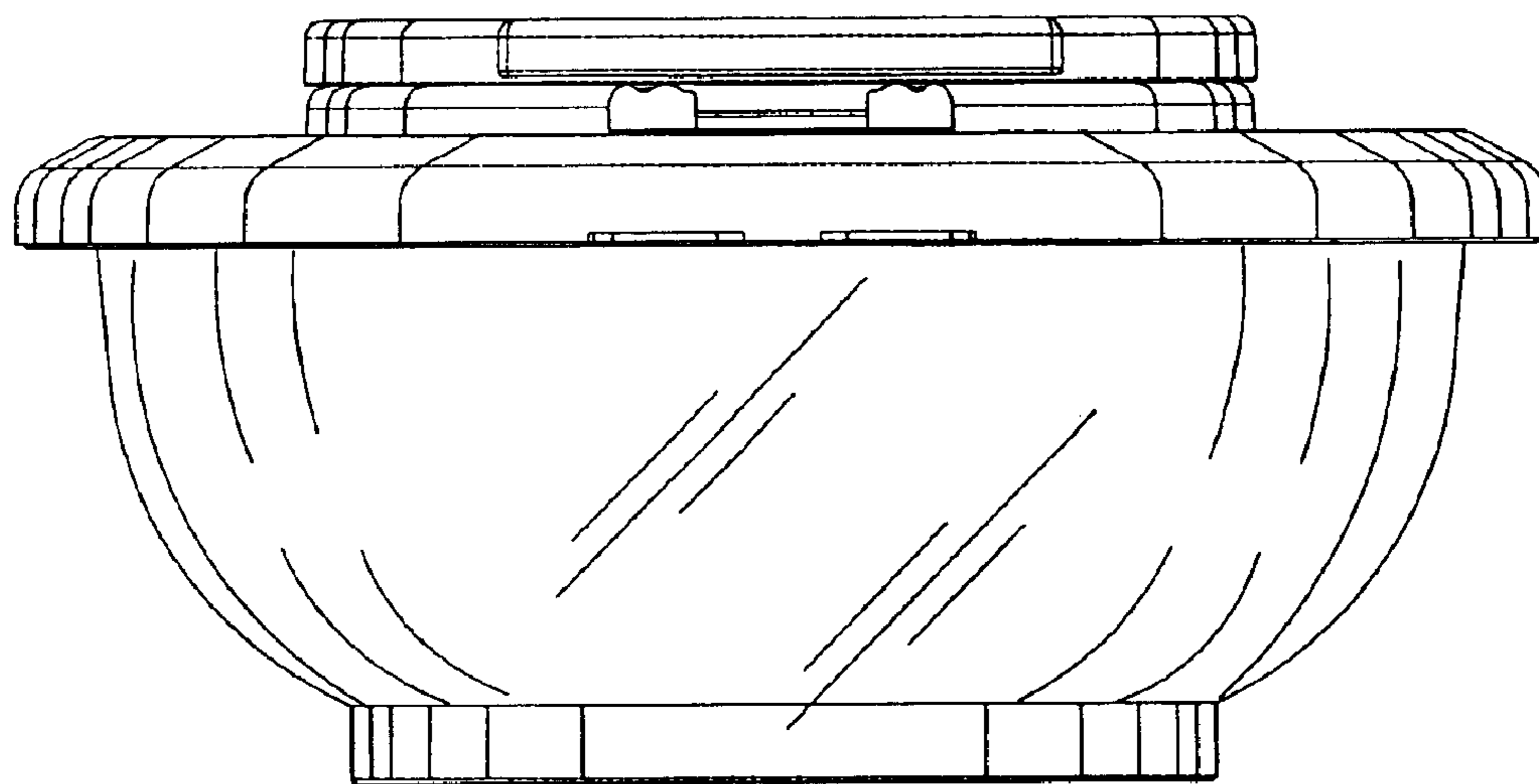


FIG. 3

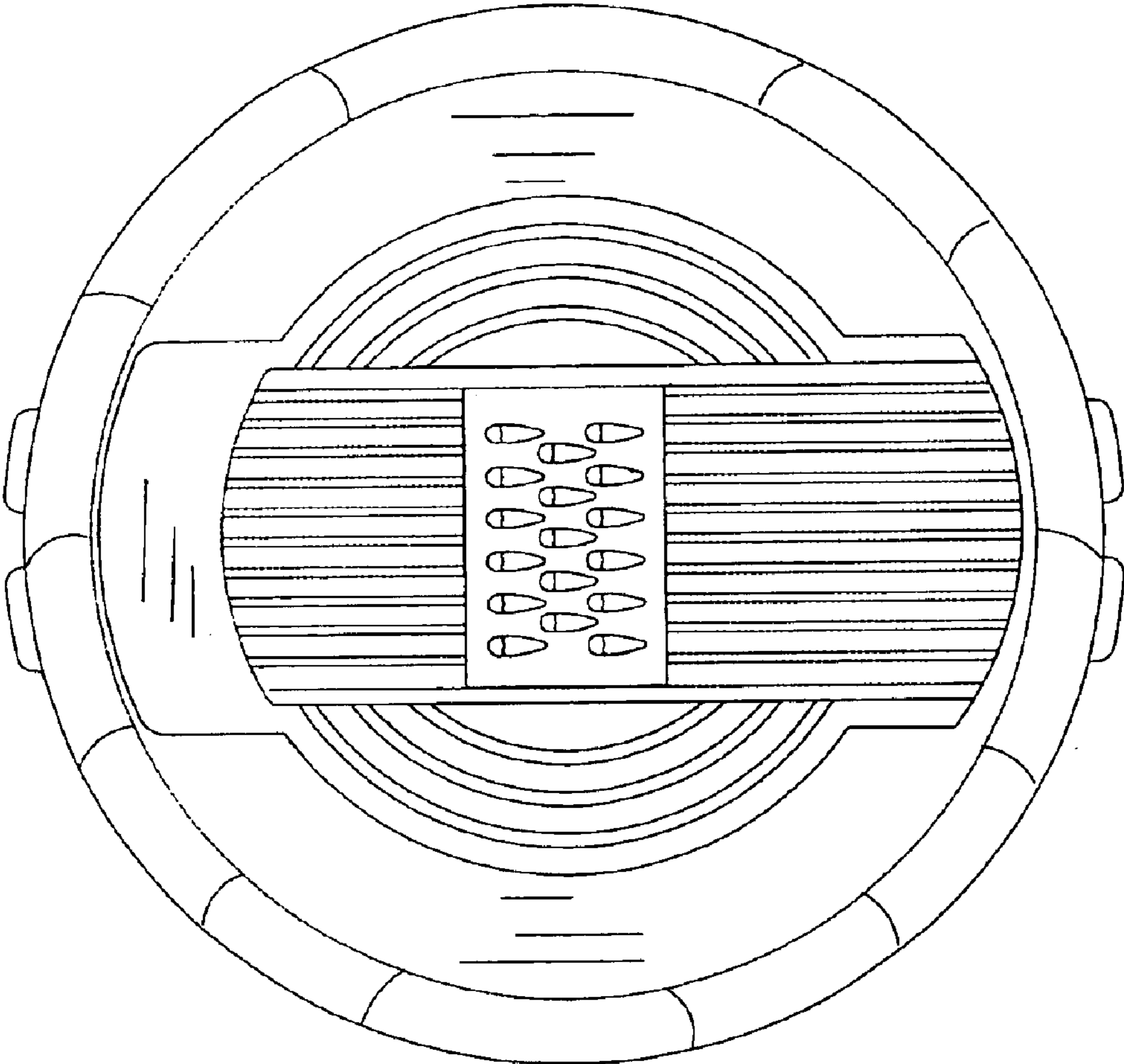


FIG.4

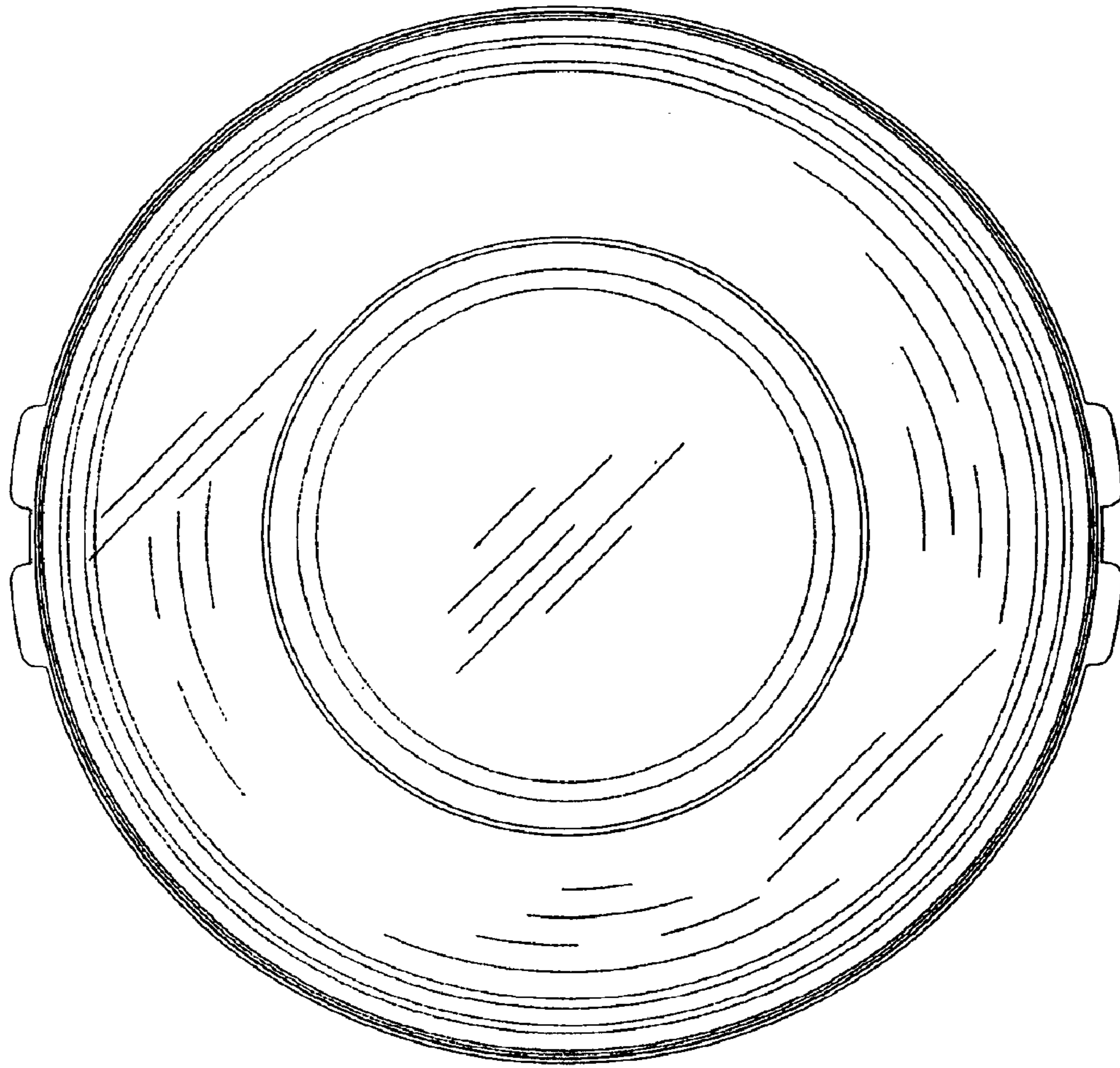


FIG. 5

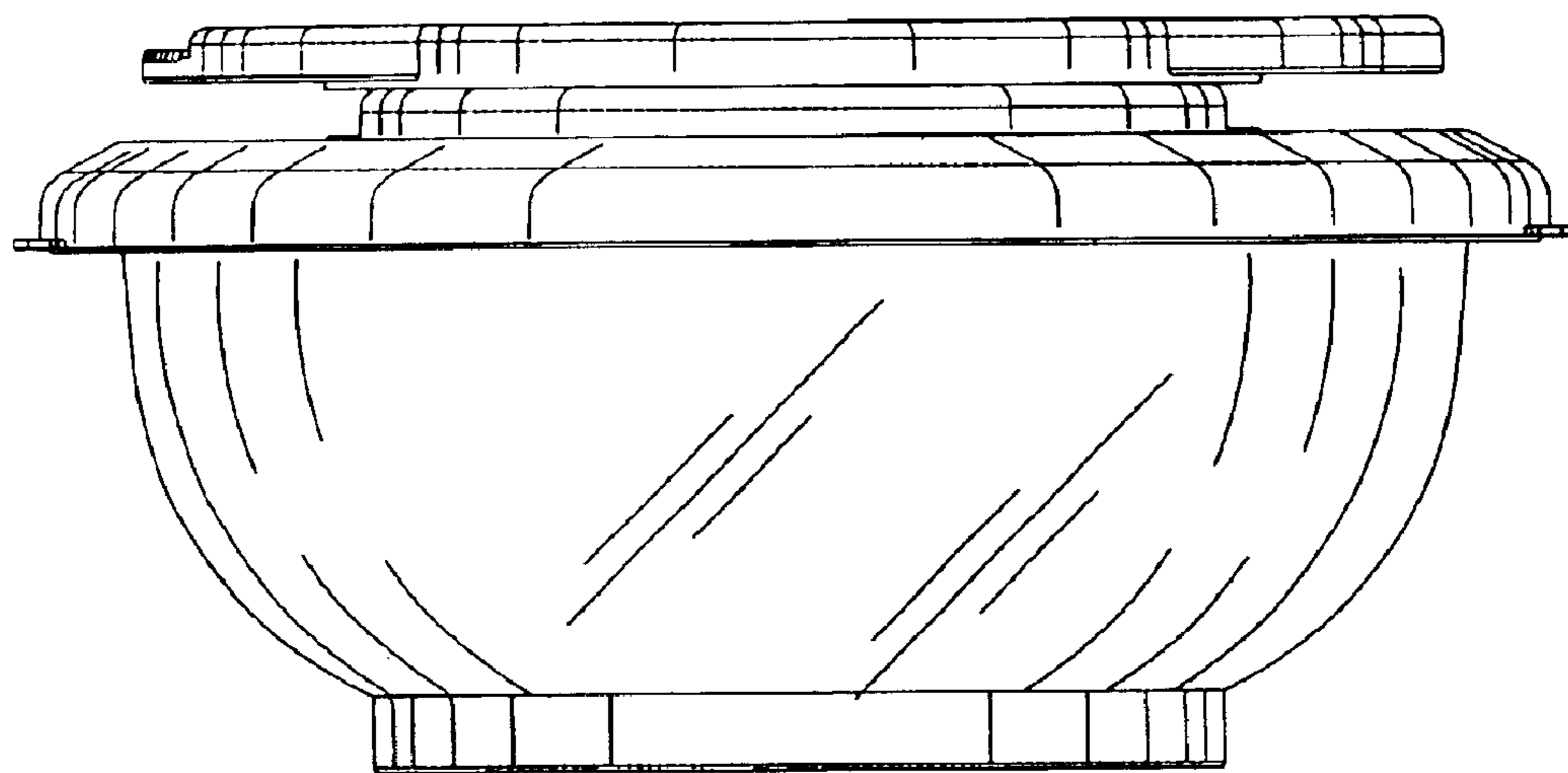


FIG. 6

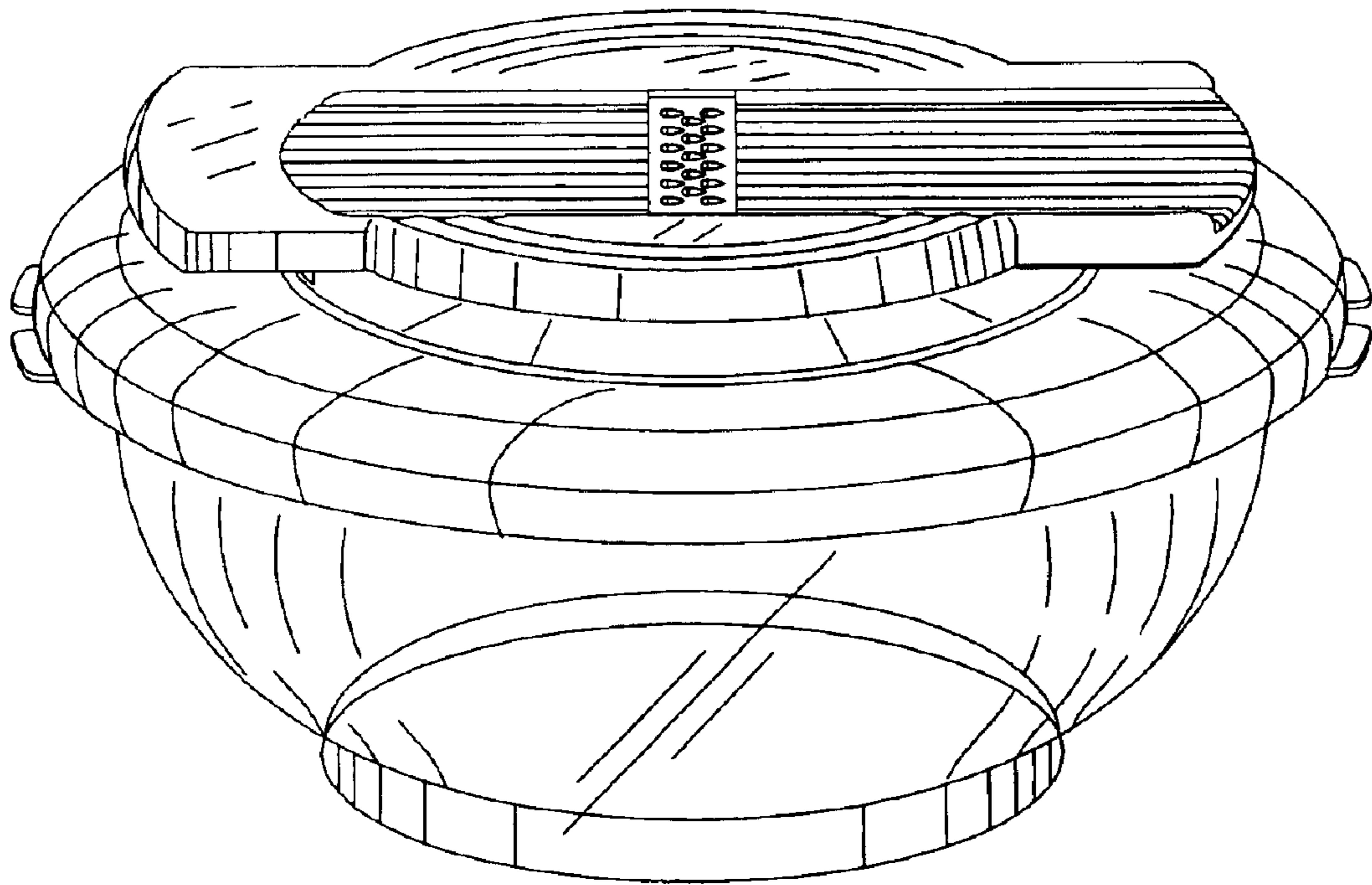


FIG. 7

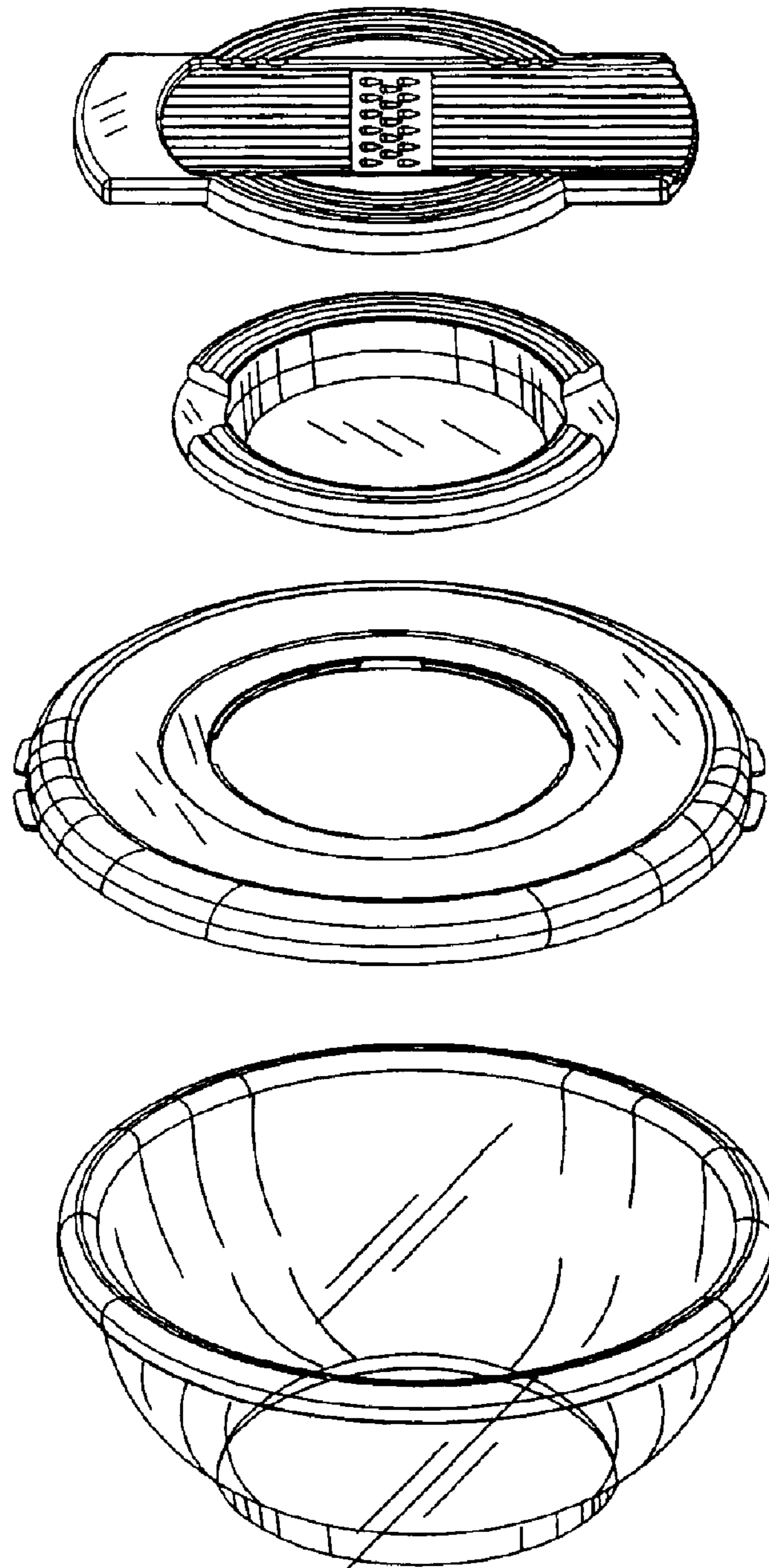


FIG. 8