

US00D507155S

(12) **United States Design Patent** (10) **Patent No.:** **US D507,155 S**
Gosen et al. (45) **Date of Patent:** **** Jul. 12, 2005**

(54) **CONTAINER** 3,737,093 A 6/1973 Amberg et al.
3,743,133 A 7/1973 Rathbun
(75) Inventors: **Craig R. Gosen**, Sanford, MI (US); 3,759,416 A 9/1973 Constantine
Jeffrey J. Zettle, Bay City, MI (US); 3,773,207 A 11/1973 Dokoupil et al.
Lawrence C. Stanos, Midland, MI 3,779,418 A 12/1973 Davis
(US); **Marissa A. K. Schultz**, Racine, WI (US); **Timothy R. Ordiway**, 3,797,694 A 3/1974 See et al.
Racine, WI (US); **Nancy L. Broen**, D235,621 S 7/1975 Cawrse
Racine, WI (US); **Nheeda C. Enriquez**, 4,027,776 A 6/1977 Douglas
Jersey City, NJ (US); **Devin L. Moore**, 4,058,247 A 11/1977 Florian
Decatur, GA (US); **Donald E. Hodge**, 4,082,184 A 4/1978 Hammer
Clare, MI (US) 4,306,664 A 12/1981 Bawden
4,412,630 A 11/1983 Daenen
4,444,332 A 4/1984 Widen et al.
4,474,305 A 10/1984 Marco
(73) Assignee: **S. C. Johnson Home Storage, Inc.**, * 11/1986 Daenen et al. D7/586
Racine, WI (US) 4,765,506 A 8/1988 Fishman et al.
4,787,527 A 11/1988 Monetti
(**) Term: **14 Years** 4,809,868 A * 3/1989 Pomroy 220/793
4,819,824 A 4/1989 Longbottom et al.
4,836,407 A 6/1989 Bruce et al.
4,844,263 A 7/1989 Hadtke
(21) Appl. No.: **29/179,919** D305,002 S 12/1989 Hayes et al.
(22) Filed: **Apr. 17, 2003** D305,003 S 12/1989 Hayes et al.
(51) **LOC (8) Cl.** **07-01** 4,917,261 A 4/1990 Borst
(52) **U.S. Cl.** **D7/629; D7/630; D9/428** 4,974,742 A 12/1990 Farrell et al.
(58) **Field of Search** D7/629, 630, 612-615, 4,986,438 A 1/1991 Borst
D7/538-548; D9/414, 424-429; 220/281, 5,012,928 A 5/1991 Proffit et al.
662, 675, 574, 574.1, 780-799; 229/406, 5,040,682 A 8/1991 Palisin, Jr. et al.
902, 903
(Continued)

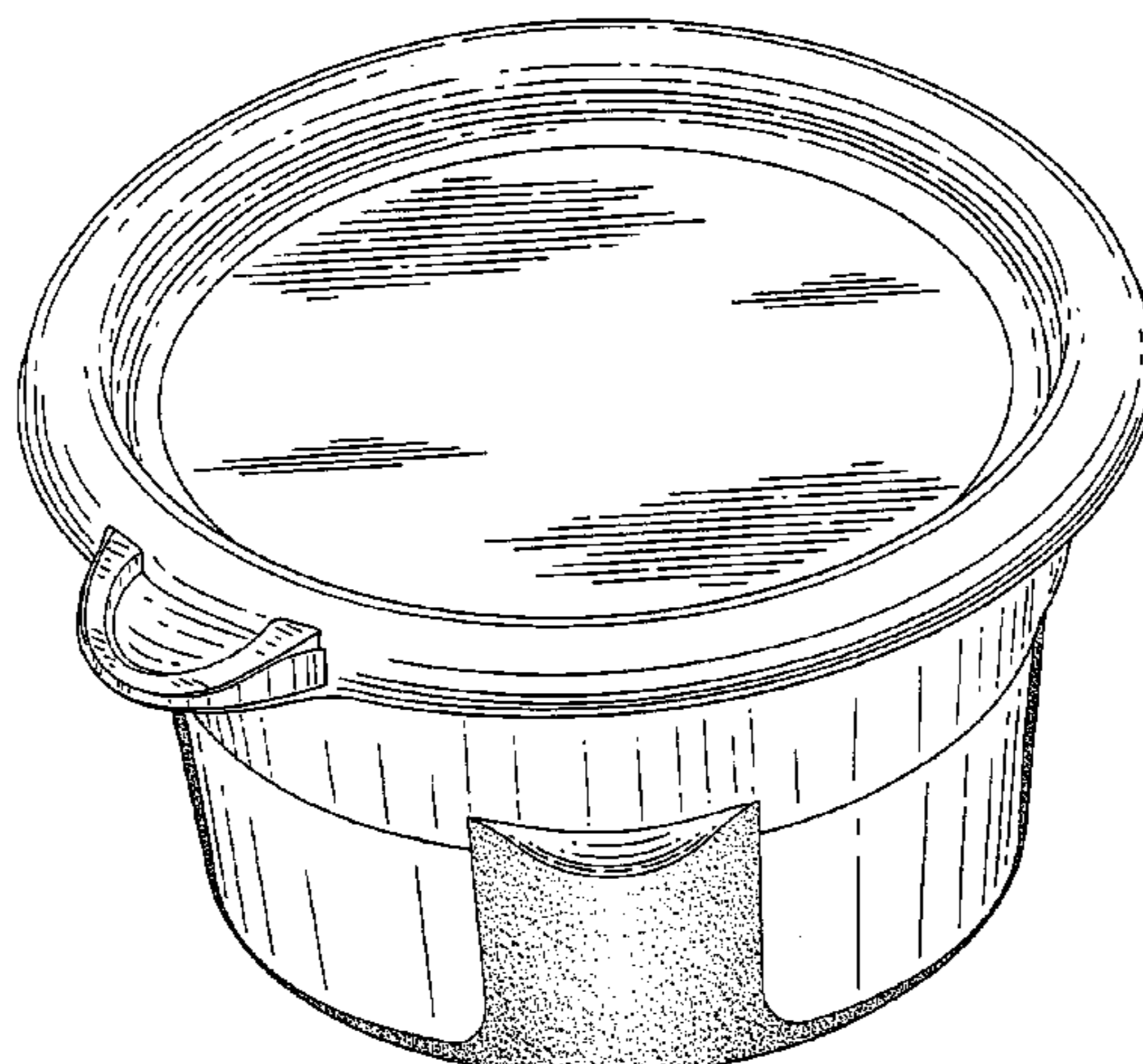
(56) **References Cited**
U.S. PATENT DOCUMENTS
2,985,354 A 5/1961 Aldington
3,122,296 A 2/1964 Fotos
3,262,602 A 7/1966 McConnell et al.
3,349,941 A 10/1967 Wanderer
3,360,162 A 12/1967 Miles
3,381,872 A 5/1968 Holder et al.
3,401,825 A 9/1968 Weiss
3,424,342 A 1/1969 Scopp et al.
3,520,441 A 7/1970 Fitzgerald
3,539,552 A 11/1970 Mounts et al.
3,613,938 A 10/1971 Westcott
3,615,039 A 10/1971 Ward
3,653,575 A 4/1972 Schrepper
3,677,435 A 7/1972 Davis

Primary Examiner—Terry A. Wallace
(74) *Attorney, Agent, or Firm*—Fitzpatrick, Cella, Harper & Scinto

(57) **CLAIM**
The ornamental design for a container, as shown.

DESCRIPTION
FIG. 1 is a perspective view of the container;
FIG. 2 is a side view of the container;
FIG. 3 is a top view of the container; and,
FIG. 4 is a bottom view of the container.

1 Claim, 4 Drawing Sheets



US D507,155 S

Page 2

U.S. PATENT DOCUMENTS

D319,978 S	9/1991	Wolff		6,213,301 B1	4/2001	Landis et al.
D320,744 S	10/1991	Palisin, Jr.		6,213,302 B1	4/2001	Sanders et al.
D321,652 S	11/1991	Palisin, Jr.		6,216,905 B1	4/2001	Mogard et al.
5,065,889 A	11/1991	Conti		6,217,136 B1	4/2001	Dorfman et al.
D322,032 S	12/1991	Palisin, Jr.		D442,484 S	5/2001	Maxwell et al.
D322,033 S	12/1991	Palisin, Jr. et al.		6,230,924 B1	5/2001	Weiss et al.
D328,014 S	* 7/1992	DeCoster et al.	D7/629	D443,184 S	6/2001	Maxwell et al.
5,147,059 A	9/1992	Olsen et al.		D443,484 S	6/2001	Maxwell et al.
5,293,997 A	3/1994	Hustad et al.		D443,798 S	6/2001	Tucker et al.
5,344,021 A	9/1994	Rose		D445,649 S	7/2001	Maxwell et al.
5,348,181 A	9/1994	Smit et al.		D445,650 S	7/2001	Maxwell et al.
5,356,026 A	10/1994	Andress et al.		6,257,434 B1	7/2001	Lizzio
5,388,714 A	2/1995	Zutler		6,260,729 B1	7/2001	Mitchell et al.
5,390,797 A	2/1995	Smalley et al.		6,260,731 B1	7/2001	Cummings
5,489,036 A	2/1996	Arkins		D446,077 S	8/2001	Tucker et al.
5,542,234 A	8/1996	Wyslotsky et al.		D446,450 S	8/2001	Zettle et al.
5,624,051 A	4/1997	Ahern, Jr. et al.		6,273,258 B1	8/2001	Piacenza
D390,109 S	2/1998	Tucker et al.		6,276,555 B1	8/2001	Edwards
5,758,791 A	6/1998	Mangla		D447,382 S	9/2001	Tucker et al.
5,758,793 A	6/1998	Forsyth et al.		D448,288 S	9/2001	Zettle et al.
5,806,710 A	9/1998	Shiffer et al.		6,283,298 B1	9/2001	Seidler
5,894,953 A	4/1999	Ramirez		D448,991 S	10/2001	Zettle et al.
D411,714 S	* 6/1999	Wilson et al.	D7/629	D449,495 S	10/2001	Tucker et al.
D411,741 S	6/1999	Wilson et al.		6,305,546 B1	10/2001	Saunders et al.
5,972,292 A	10/1999	DeMeo		D450,983 S	11/2001	Tucker et al.
5,992,679 A	11/1999	Porcia et al.		6,325,234 B1	12/2001	Legaspi
D428,310 S	7/2000	Zettle et al.		6,343,709 B1	2/2002	DeForrest et al.
D428,777 S	8/2000	Hayes et al.		6,349,820 B1	2/2002	Kelley et al.
6,105,810 A	8/2000	Daenen et al.		6,364,112 B1	4/2002	Pitschka
6,164,484 A	12/2000	Fiore et al.		6,364,152 B1	4/2002	Poslinski et al.
6,168,044 B1	1/2001	Zettle et al.		D462,880 S	9/2002	Maxwell et al.
6,170,696 B1	1/2001	Tucker et al.		D465,154 S	11/2002	O'Brien
D440,470 S	4/2001	Tucker et al.		D466,299 S	12/2002	Zimmerman
D440,830 S	4/2001	Tucker et al.				

* cited by examiner

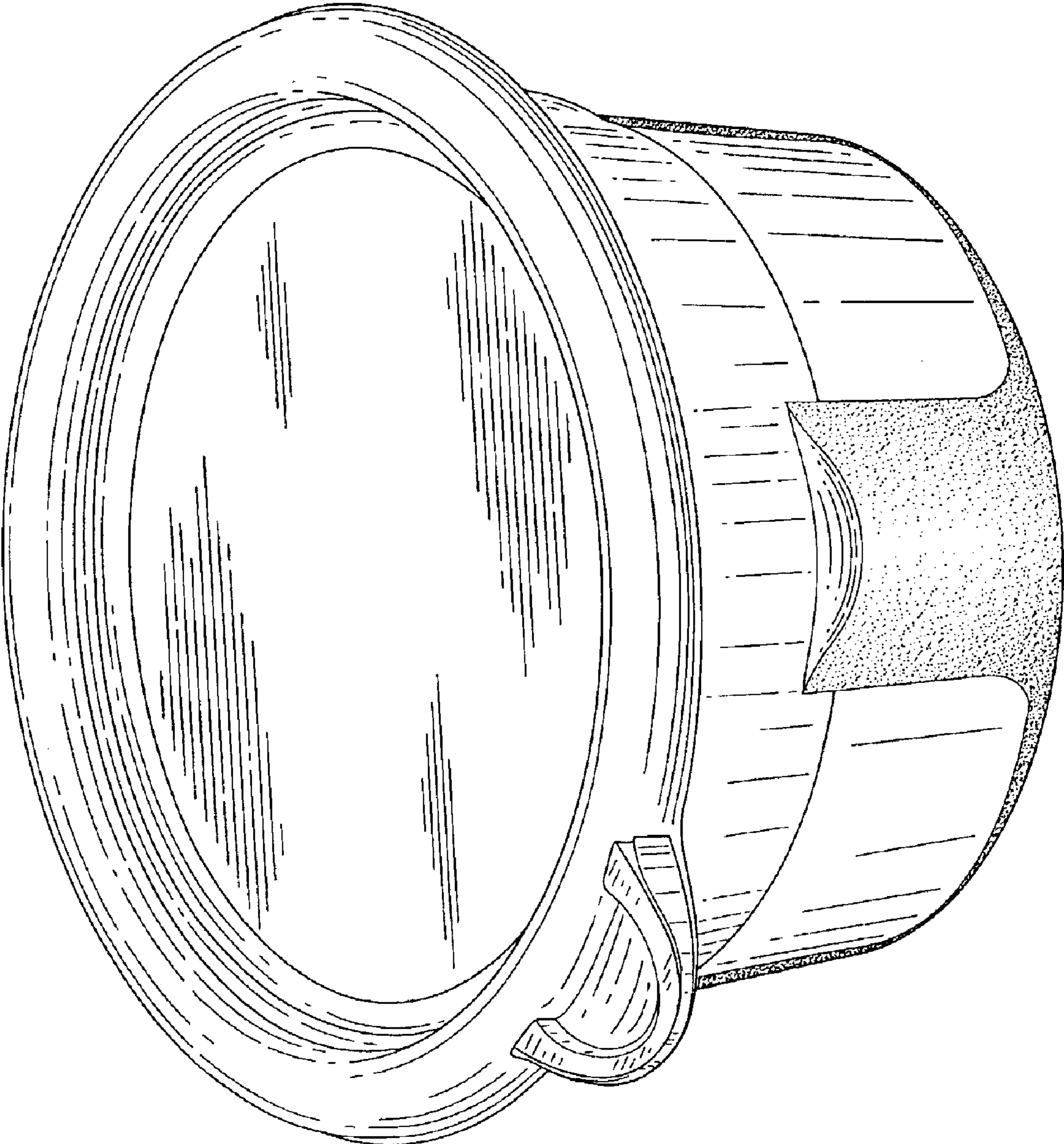


FIG. 1

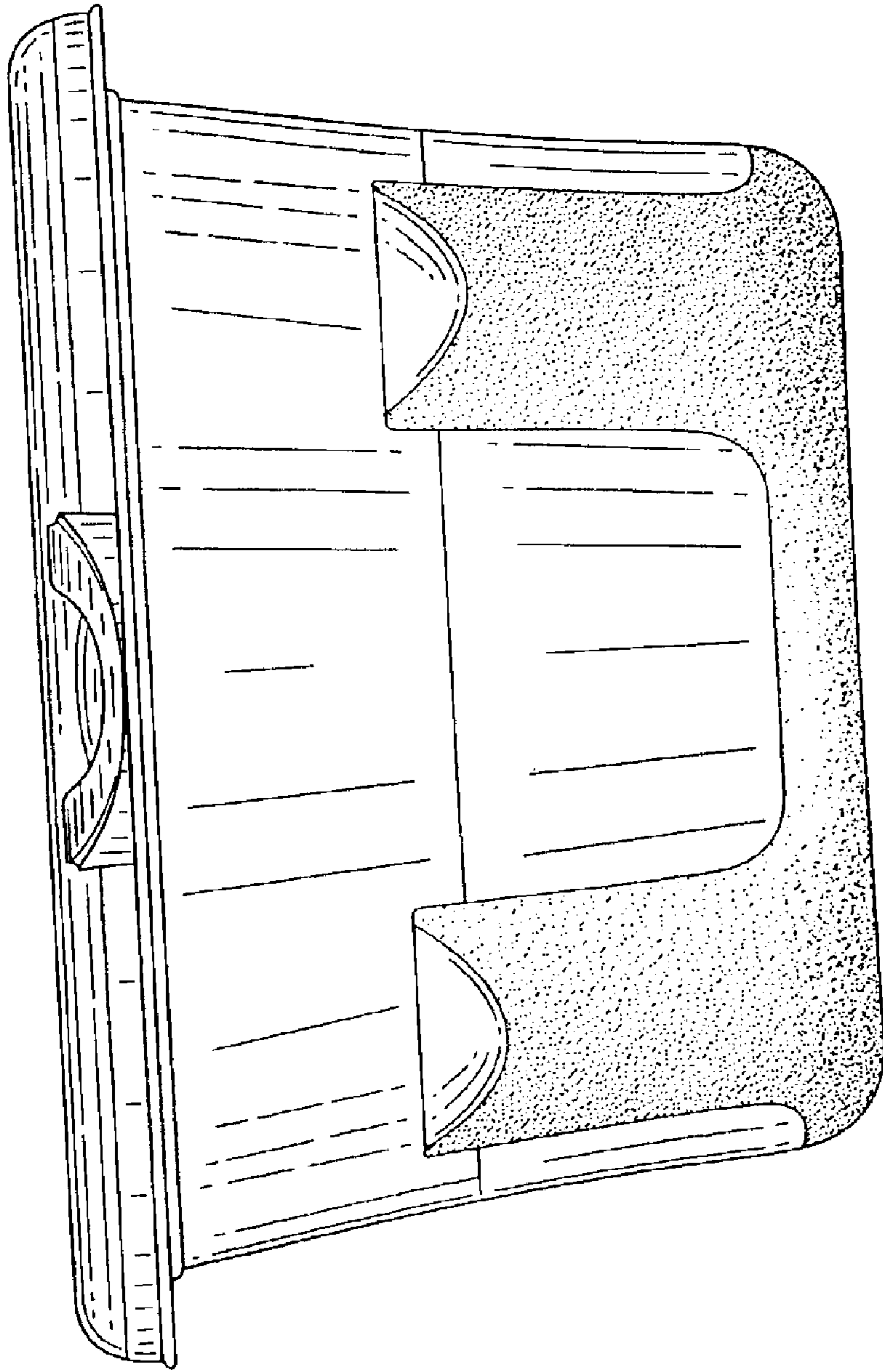


FIG. 2

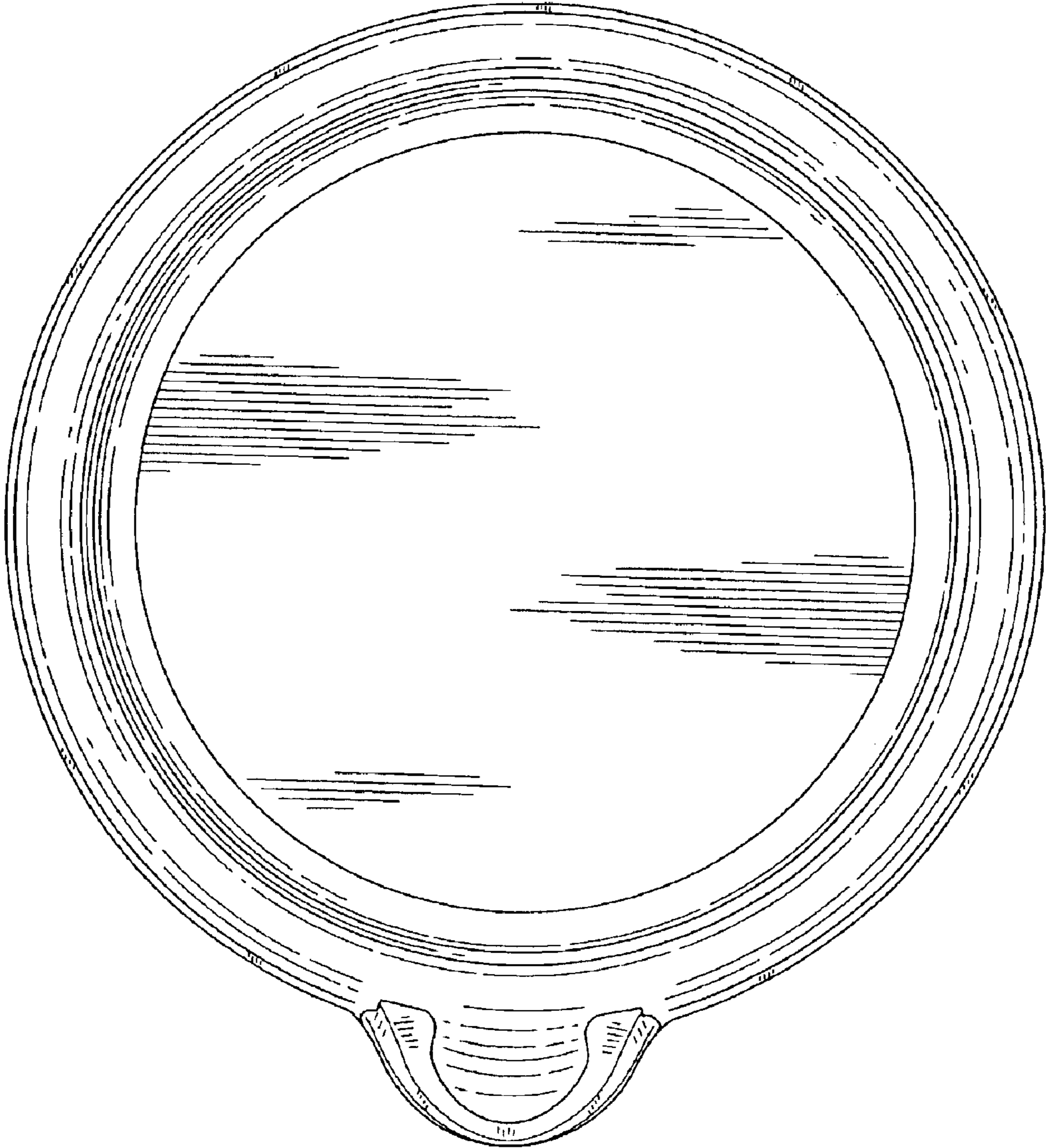


FIG. 3

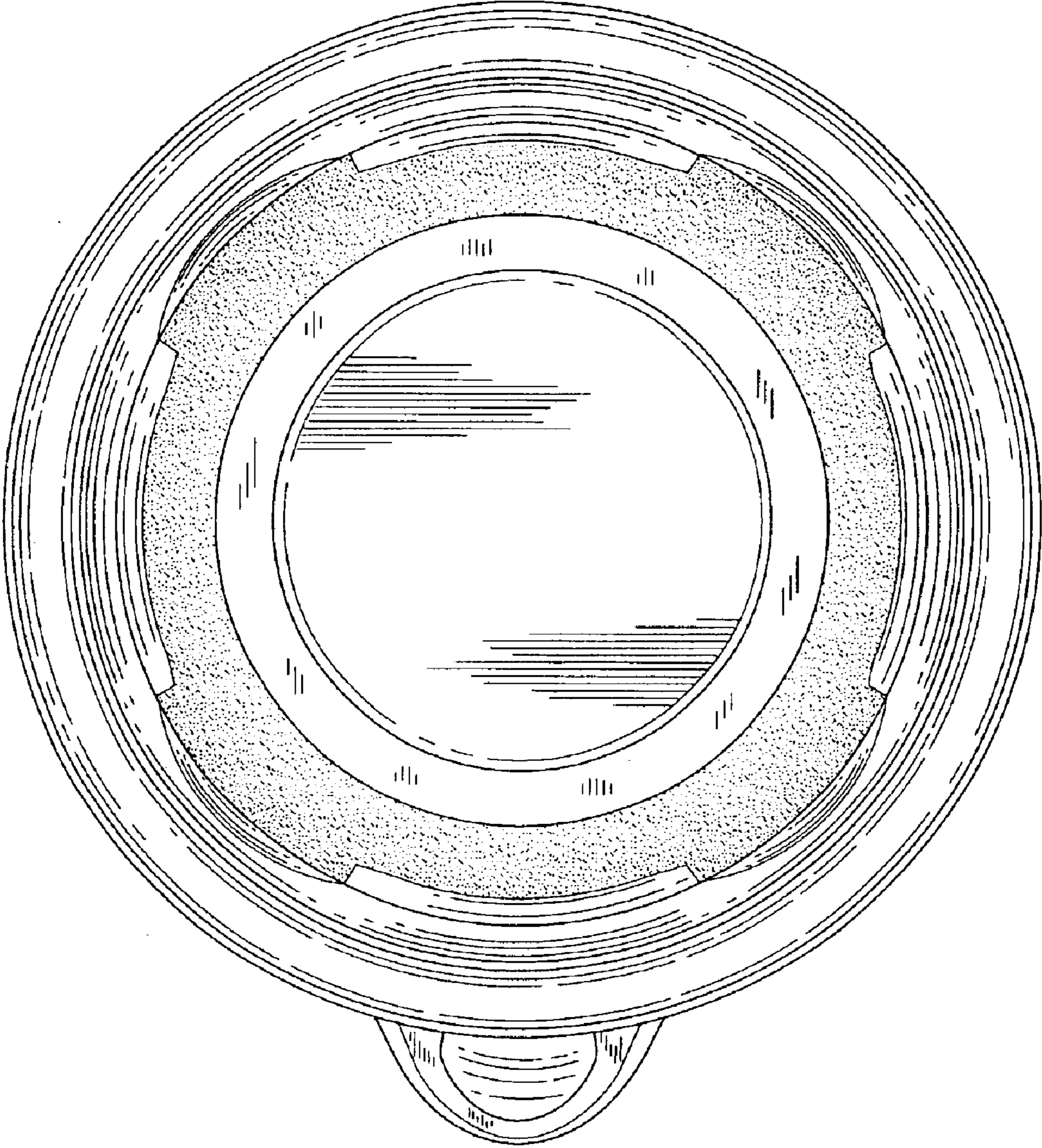


FIG. 4