

US00D507152S

(12) **United States Design Patent**
Trombly

(10) **Patent No.:** **US D507,152 S**
(45) **Date of Patent:** **** Jul. 12, 2005**

(54) **MUG WITH FLUTED BASE**
(75) **Inventor:** **Edgar F. Trombly**, Grosse Pointe Farms, MI (US)
(73) **Assignee:** **Punch Products USA, Inc.**, Rahway, NJ (US)
(**) **Term:** **14 Years**
(21) **Appl. No.:** **29/203,247**
(22) **Filed:** **Apr. 12, 2004**
(51) **LOC (8) Cl.** **07-01**
(52) **U.S. Cl.** **D7/536; D7/531**
(58) **Field of Search** **D7/507, 509, 536, D7/533, 532, 531, 510, 511, 523, 396.6, 521; D9/520; D11/152; 215/12.2, 396, 10, 398; 126/246, 400; 229/400, 402; 206/519; 220/669, 713, 719, 710.5, 560, 715, 705, 23.83; 248/346.1; 219/689, 759**

D424,878 S * 5/2000 Freed D7/533
D426,109 S * 6/2000 Freed D7/533
D447,005 S * 8/2001 Trombly D7/536
D461,369 S * 8/2002 Sims et al. D7/531
D462,575 S * 9/2002 Gluck D7/510
D475,578 S * 6/2003 Hurlbut et al. D7/533
D479,095 S * 9/2003 Webb D7/531
D479,096 S * 9/2003 Webb D7/531
D483,615 S * 12/2003 Norris et al. D7/533
D486,997 S * 2/2004 Janky D7/531
D491,021 S * 6/2004 Webb D7/531

* cited by examiner

Primary Examiner—M. N. Pandozzi
(74) *Attorney, Agent, or Firm*—Jones Day

(57) **CLAIM**

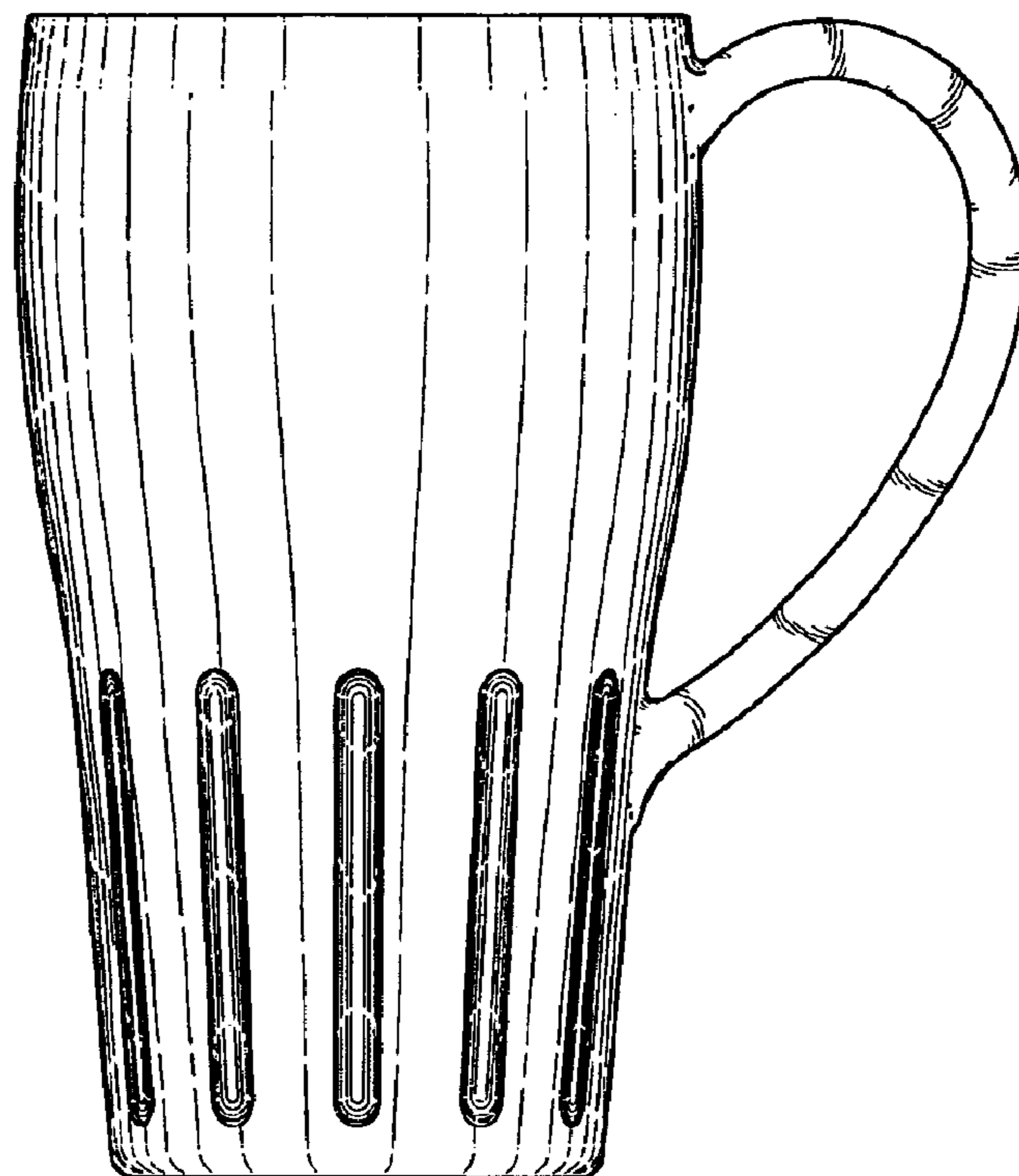
The ornamental design for a mug with fluted base, as shown and described.

DESCRIPTION

FIG. 1 is a perspective view of a mug with fluted base according to the present invention;
FIG. 2 is a right side view thereof;
FIG. 3 is a left side view thereof;
FIG. 4 is a rear view thereof;
FIG. 5 is a front view thereof;
FIG. 6 is a bottom view thereof; and,
FIG. 7 is a top view thereof.

(56) **References Cited**
U.S. PATENT DOCUMENTS
D163,148 S * 5/1951 Sterrett D9/520
D241,801 S * 10/1976 Colato D7/531
D255,339 S * 6/1980 Christian D11/152
D266,550 S * 10/1982 Myodo D7/536
D266,814 S * 11/1982 Myodo D7/536
D384,860 S * 10/1997 Trombly D7/536

1 Claim, 4 Drawing Sheets



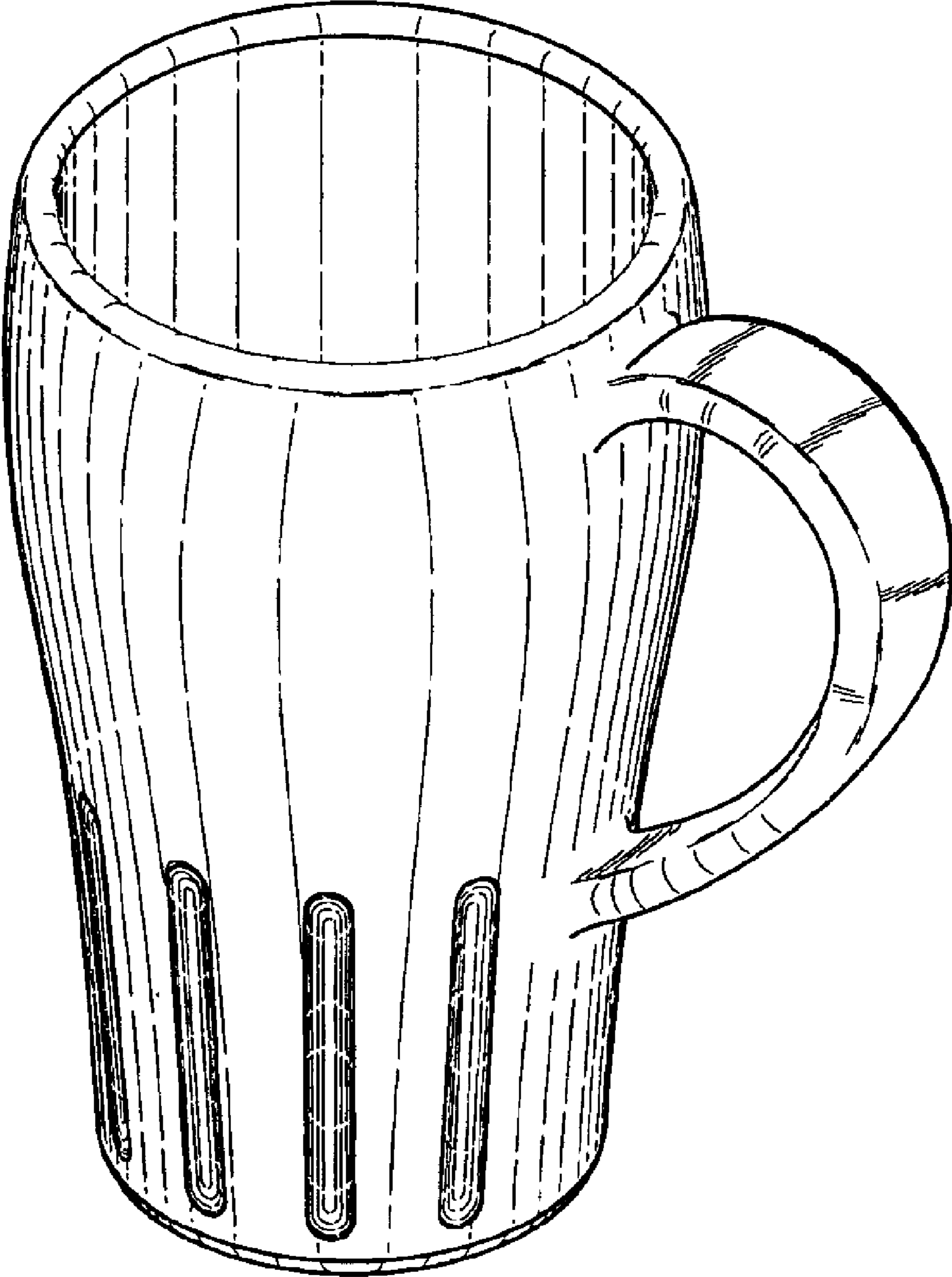


Fig. 1

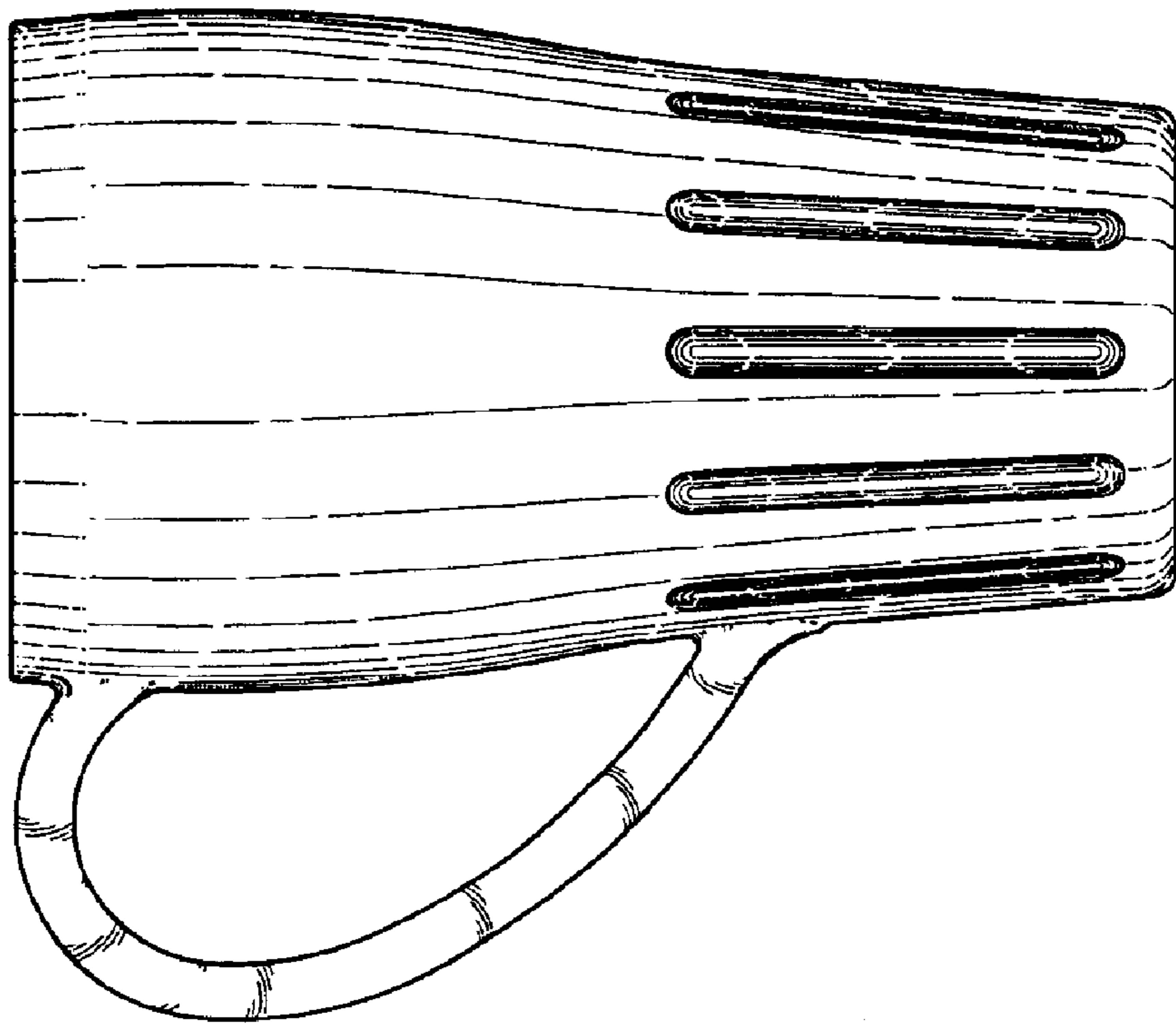


Fig. 3

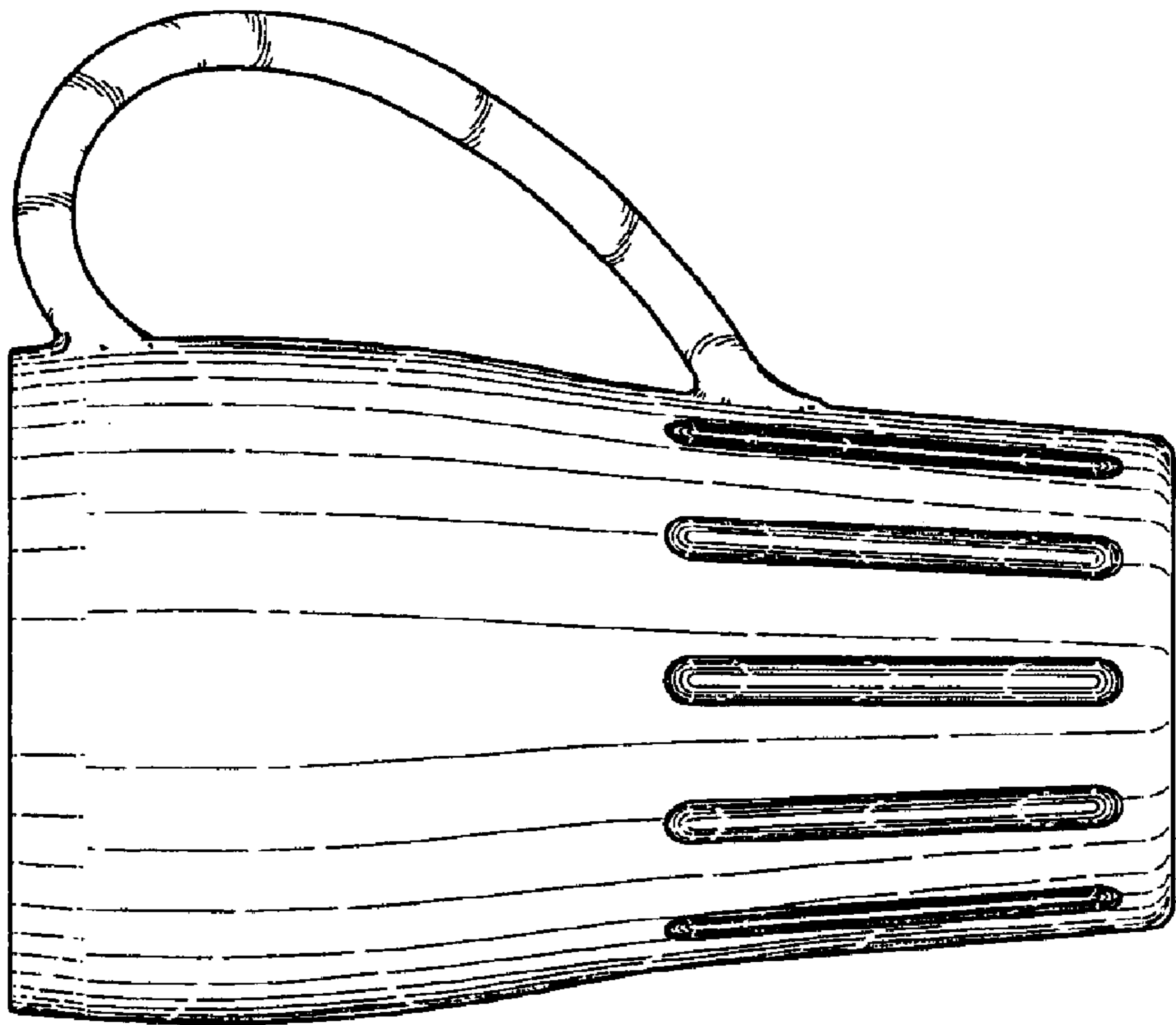


Fig. 2

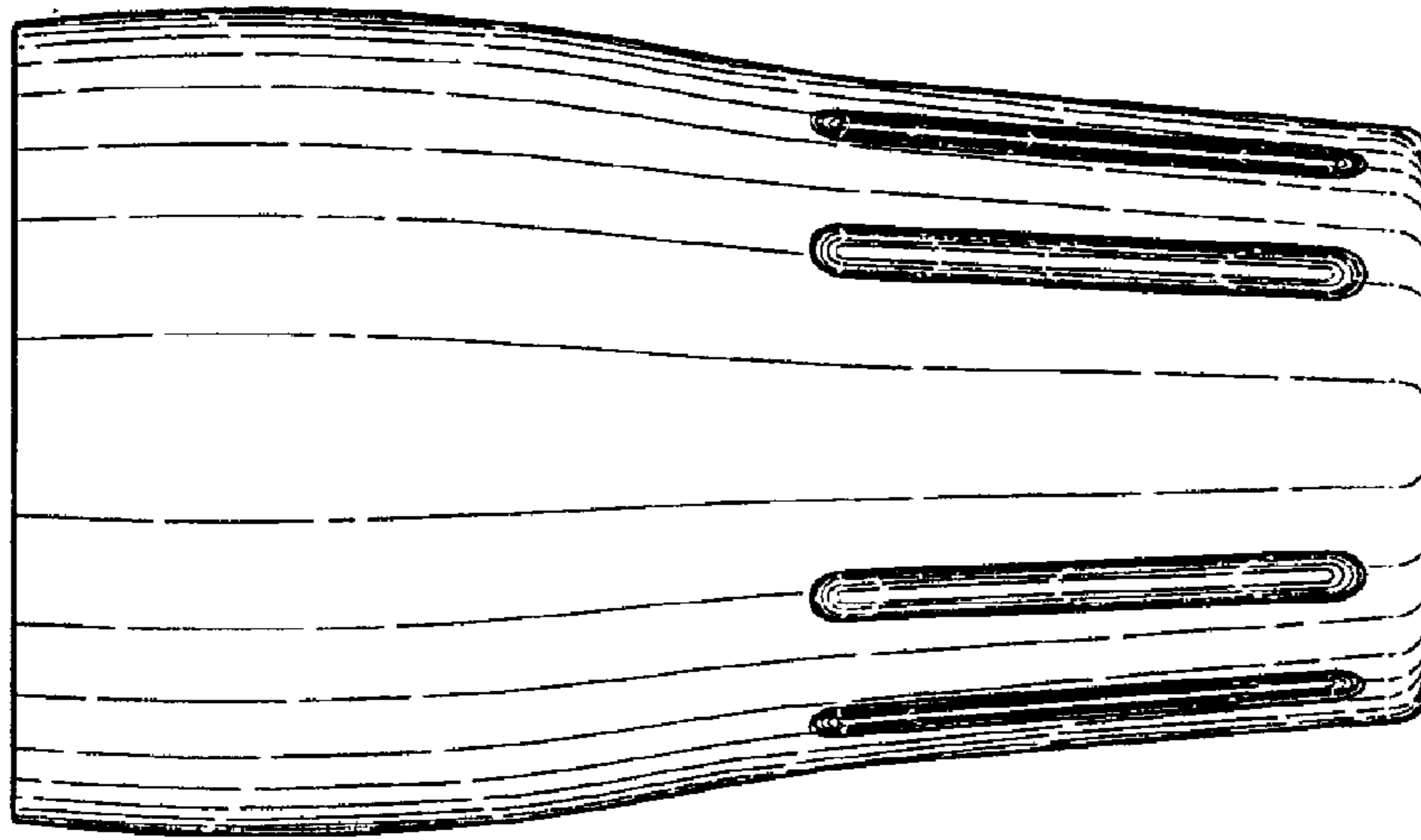


Fig. 5

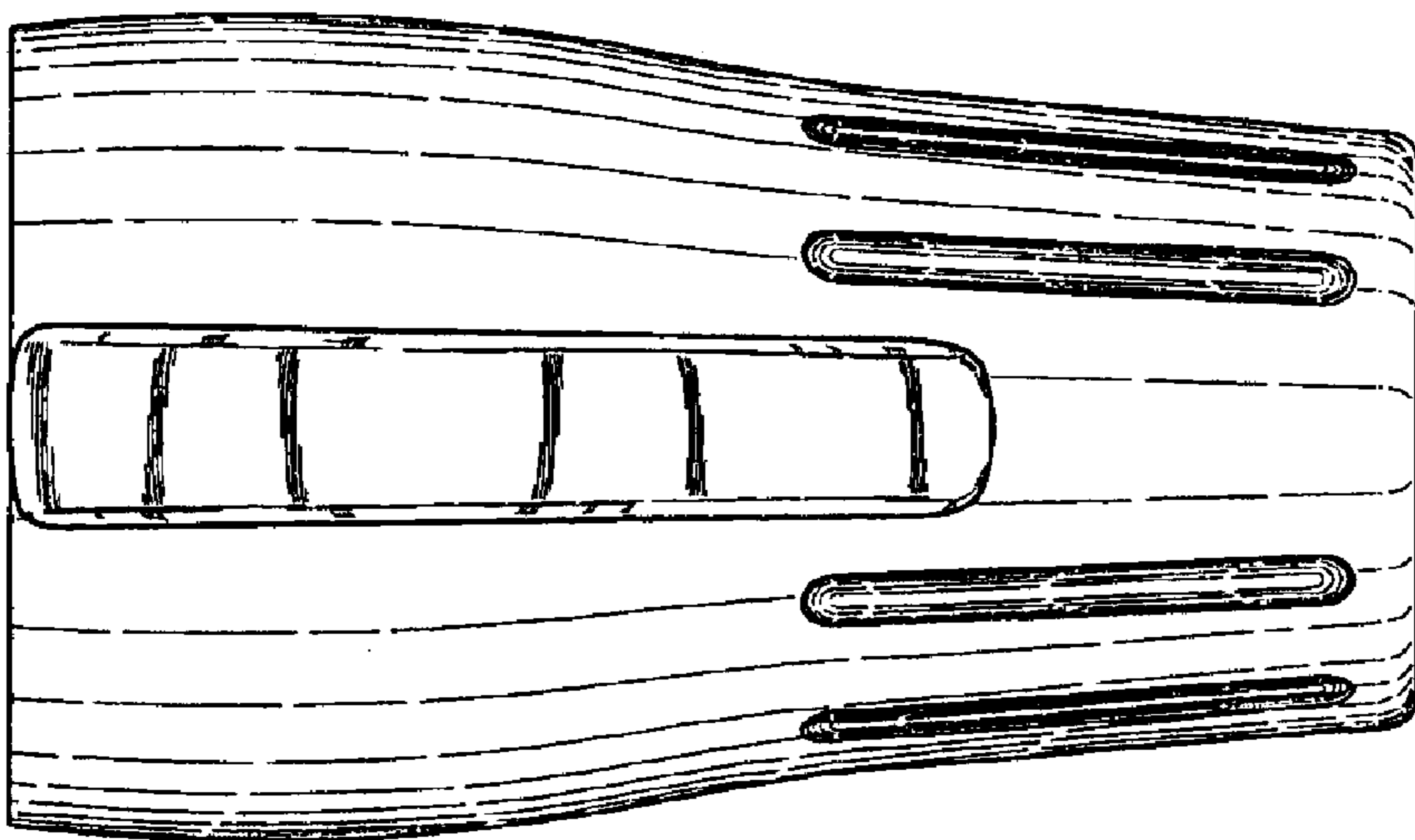


Fig. 4

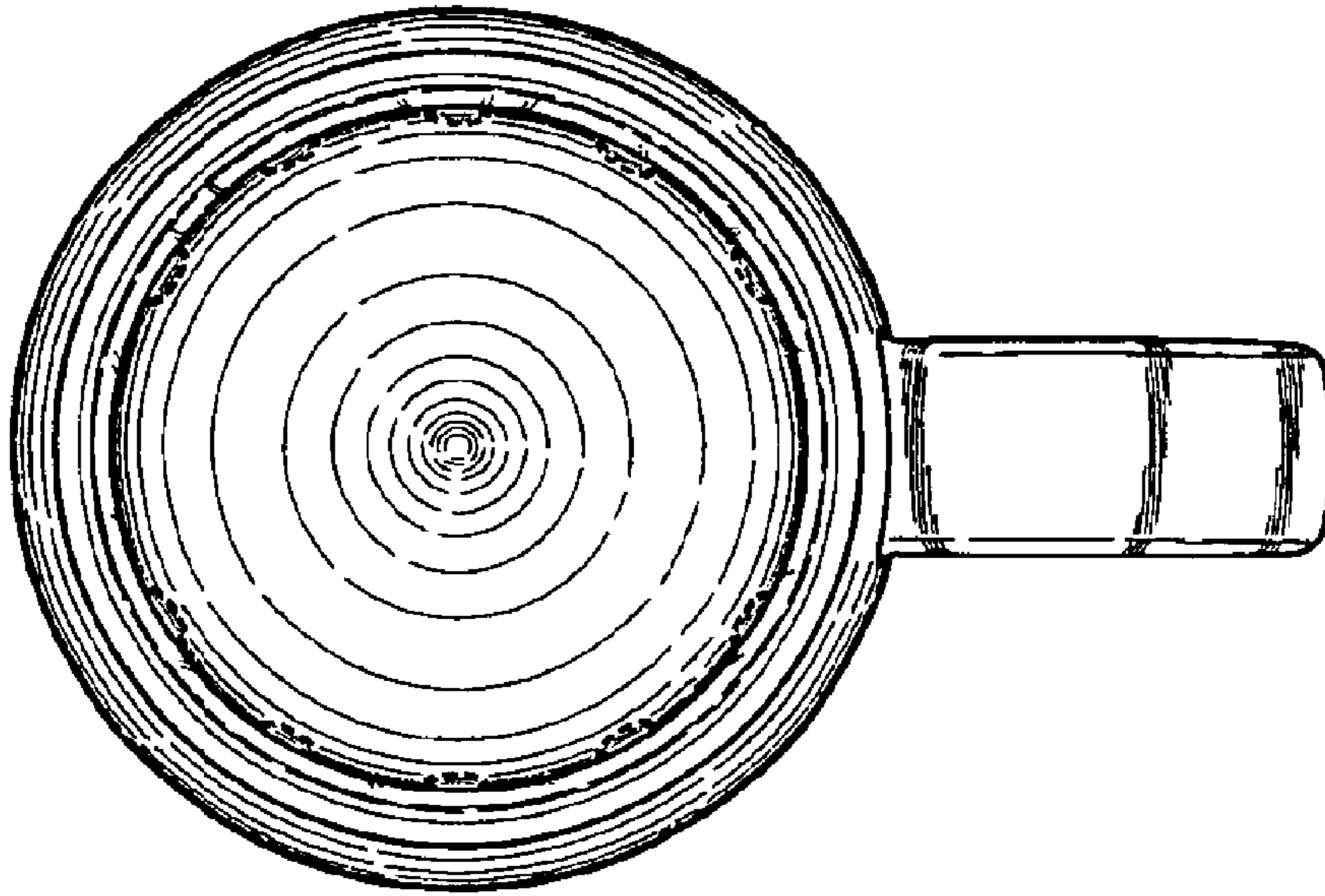


Fig. 7

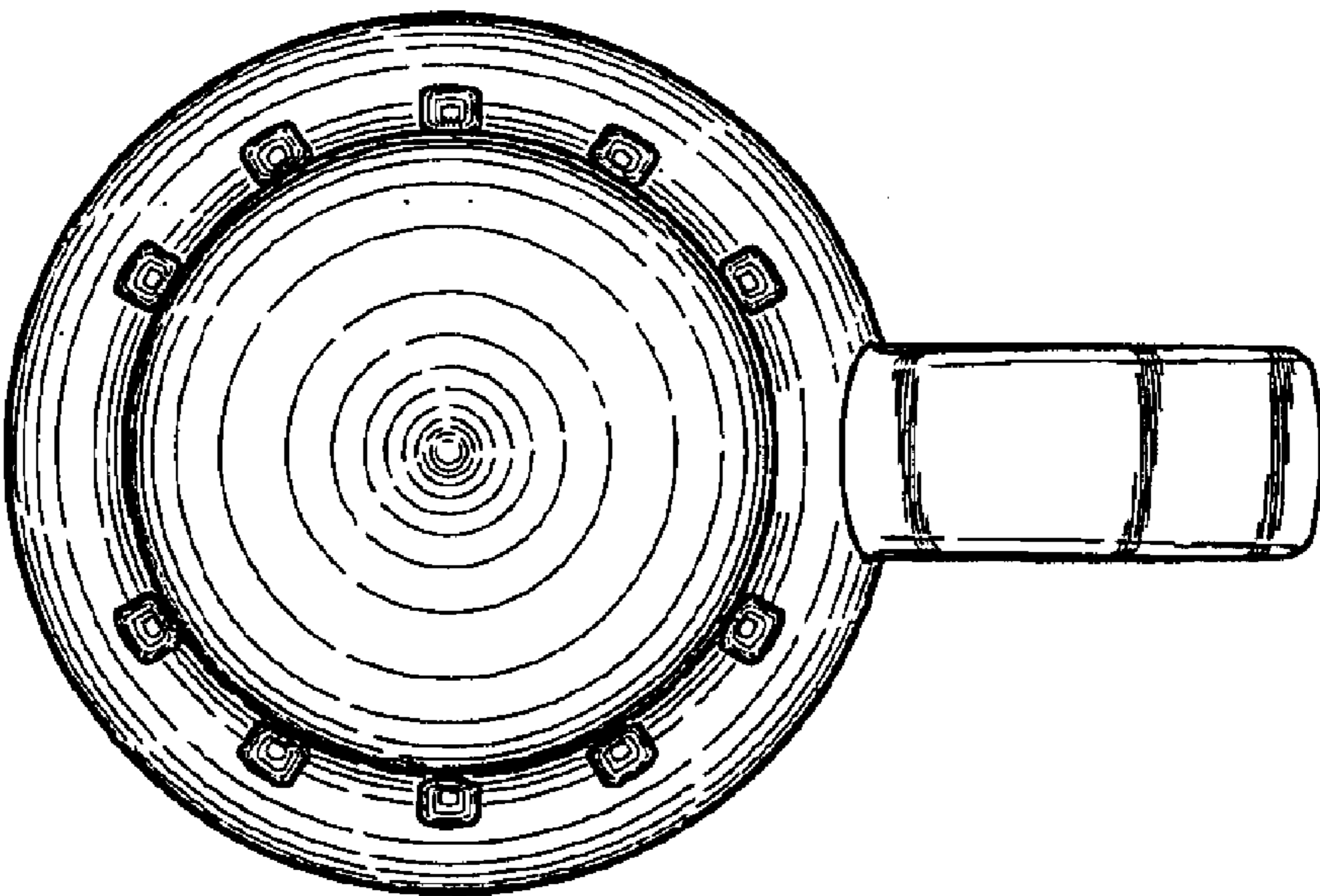


Fig. 6