

US00D507151S

(12) **United States Design Patent**
Schuler et al.

(10) **Patent No.:** **US D507,151 S**
(45) **Date of Patent:** **** Jul. 12, 2005**

(54) **MUG**
(75) Inventors: **Daniel Schuler**, Chicago, IL (US);
Peter Schmidt, Chicago, IL (US)
(73) Assignee: **Thermos L.L.C.**, Rolling Meadows, IL
(US)
(**) Term: **14 Years**

D465,132 S * 11/2002 Janky et al. D7/510
D467,124 S * 12/2002 Janky D7/533
D469,308 S * 1/2003 Janky D7/510
D469,309 S * 1/2003 Janky D7/510
D470,772 S * 2/2003 Egger D9/537
D496,733 S * 9/2004 Morano et al. D24/197
D501,362 S * 2/2005 Gauss D7/510
2002/0017502 A1 * 2/2002 Renz 215/384

* cited by examiner

(21) Appl. No.: **29/219,762**
(22) Filed: **Dec. 21, 2004**

Primary Examiner—M. N. Pandozzi
(74) *Attorney, Agent, or Firm*—Wood, Philips, Katz, Clark
& Mortimer

(51) **LOC (8) Cl.** **07-01**
(52) **U.S. Cl.** **D7/509; D7/533**
(58) **Field of Search** D7/507, 509, 529,
D7/530, 523, 510, 511, 533, 536, 5;
D9/530, 537; D24/197; 248/346.1; 220/703, 670,
596.16, 596.17, 705, 719, 710.5, 713; 215/DIG. 7,
387, 377, 384

(57) **CLAIM**

The ornamental design of a mug, as shown and described.

DESCRIPTION

FIG. 1 is a perspective view of our mug design taken from above and to one side;
FIG. 2 is a front elevation view of our mug design;
FIG. 3 is a rear elevation view of our mug design;
FIG. 4 is a side elevation view of our mug design taken from left of FIG. 2;
FIG. 5 is a side elevation view of our mug design taken from the right of FIG. 2;
FIG. 6 is a top plan view of our mug design; and,
FIG. 7 is a bottom view of our mug design.
It is to be understood that parts shown in dotted lines form no part of our inventive mug design.
The broken lines in the drawings are for illustrative purposes only and form no part of the claimed design.

(56) **References Cited**
U.S. PATENT DOCUMENTS

D225,076 S * 11/1972 Persson D7/533
D277,921 S * 3/1985 Otto D7/536
D282,232 S * 1/1986 Bussell D7/509
D307,089 S * 4/1990 Lage D7/536
D370,153 S * 5/1996 Chaney et al. D7/511
D376,430 S * 12/1996 Humphrey et al. D24/197
D423,107 S * 4/2000 Brown et al. D24/197
D434,943 S * 12/2000 Price D7/509
D457,396 S * 5/2002 Janky et al. D7/510
D462,876 S * 9/2002 Janky et al. D7/536
D463,954 S * 10/2002 Wellner D7/536

1 Claim, 4 Drawing Sheets

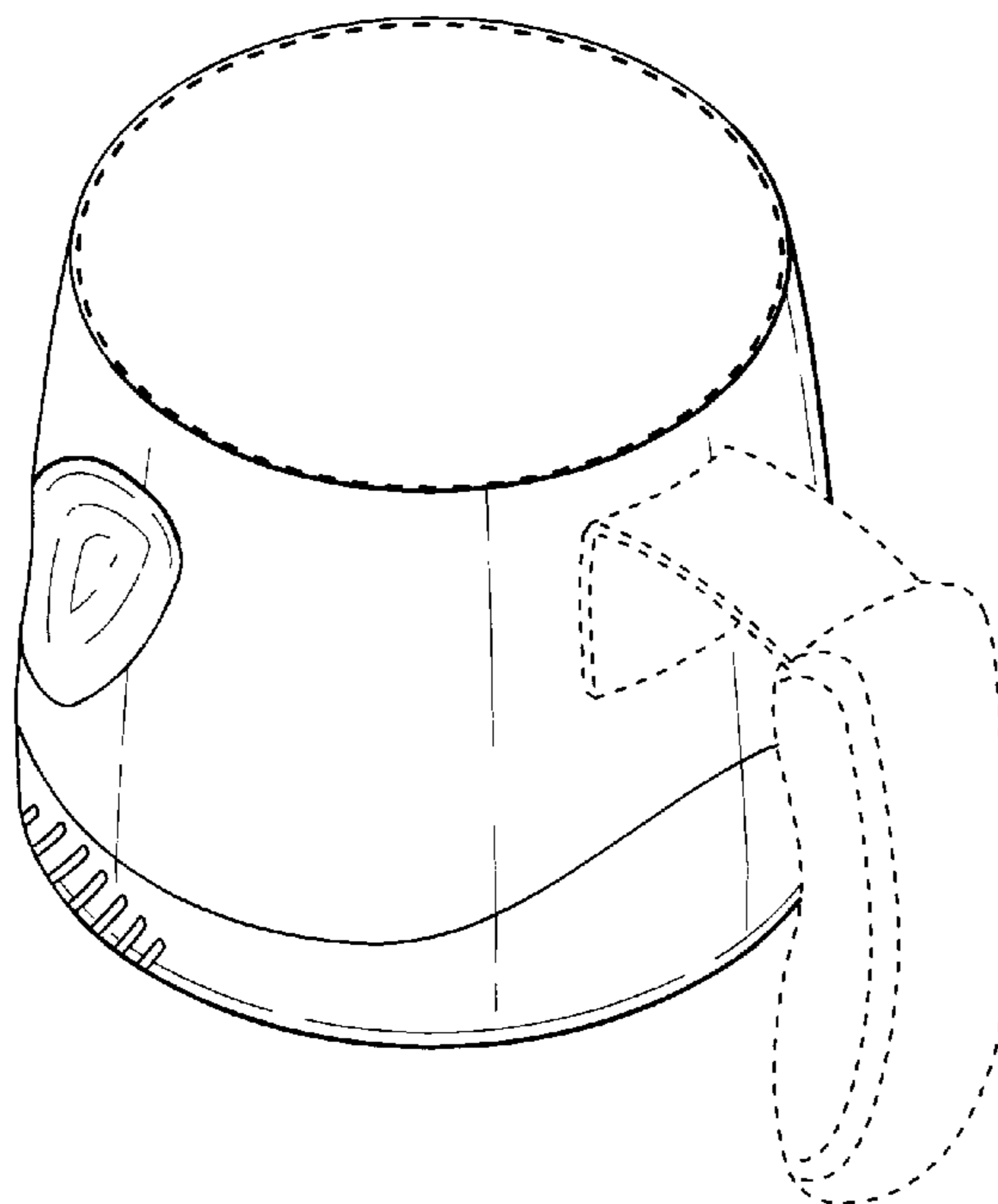


Fig. 1

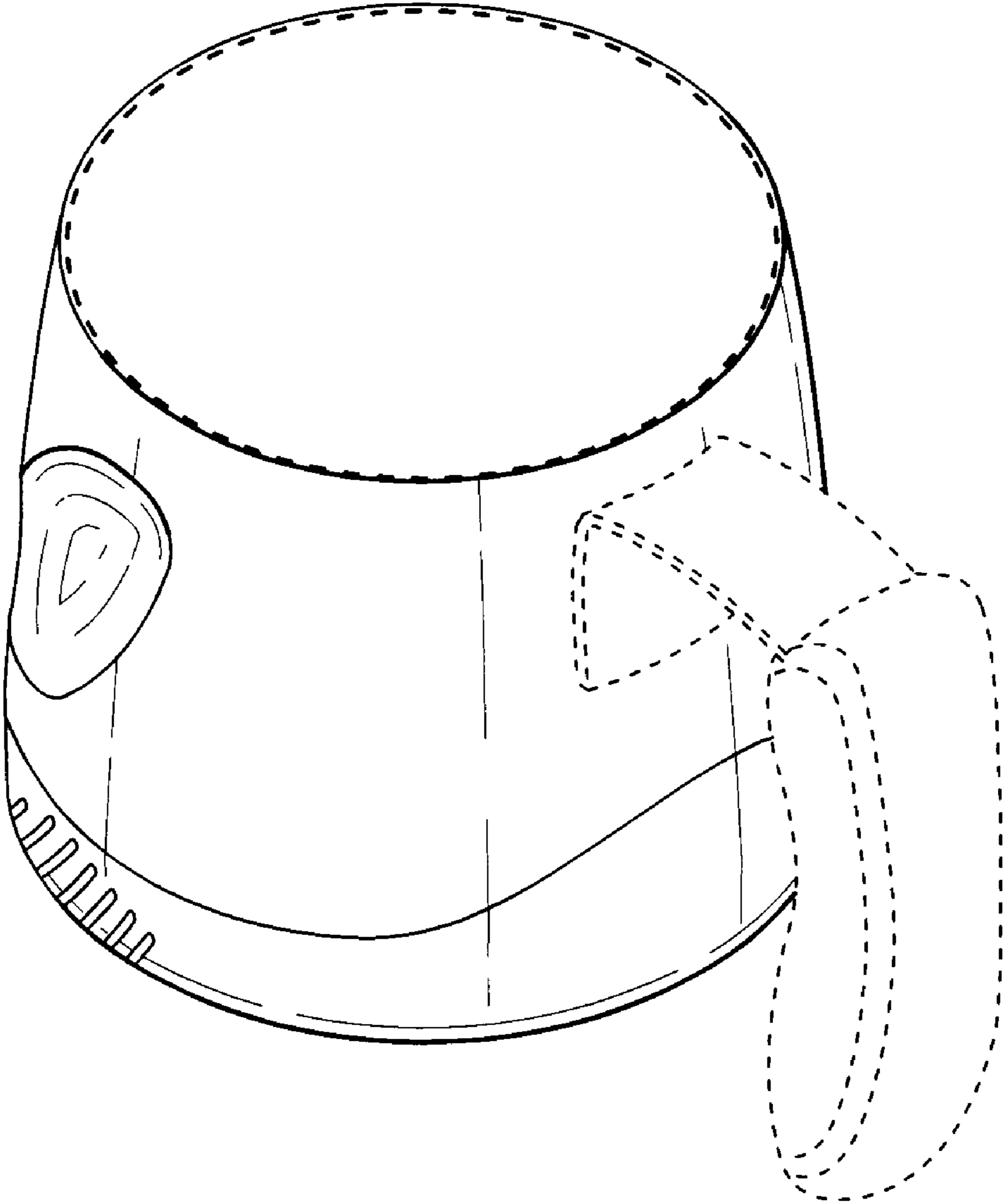


Fig. 2

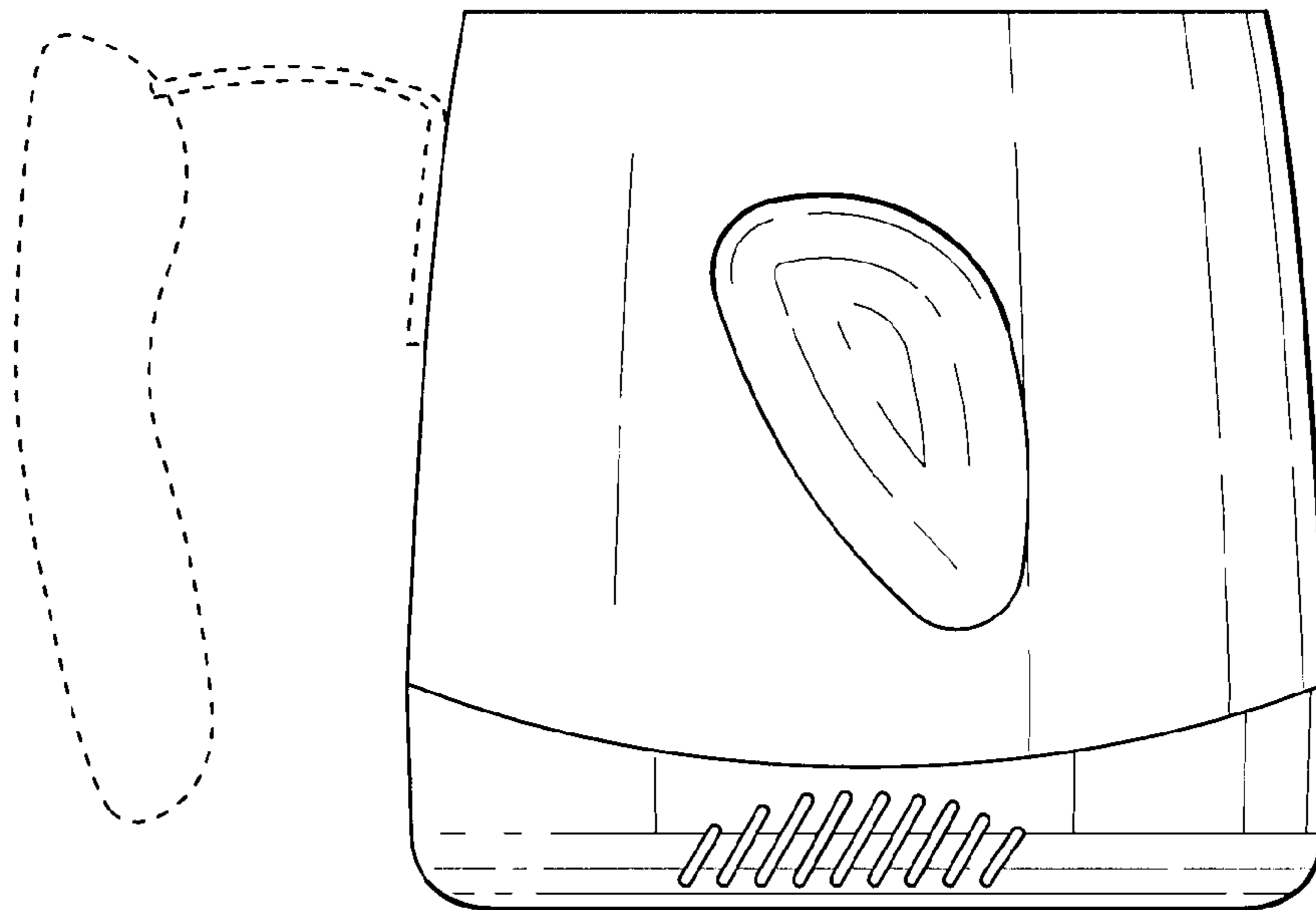


Fig. 3

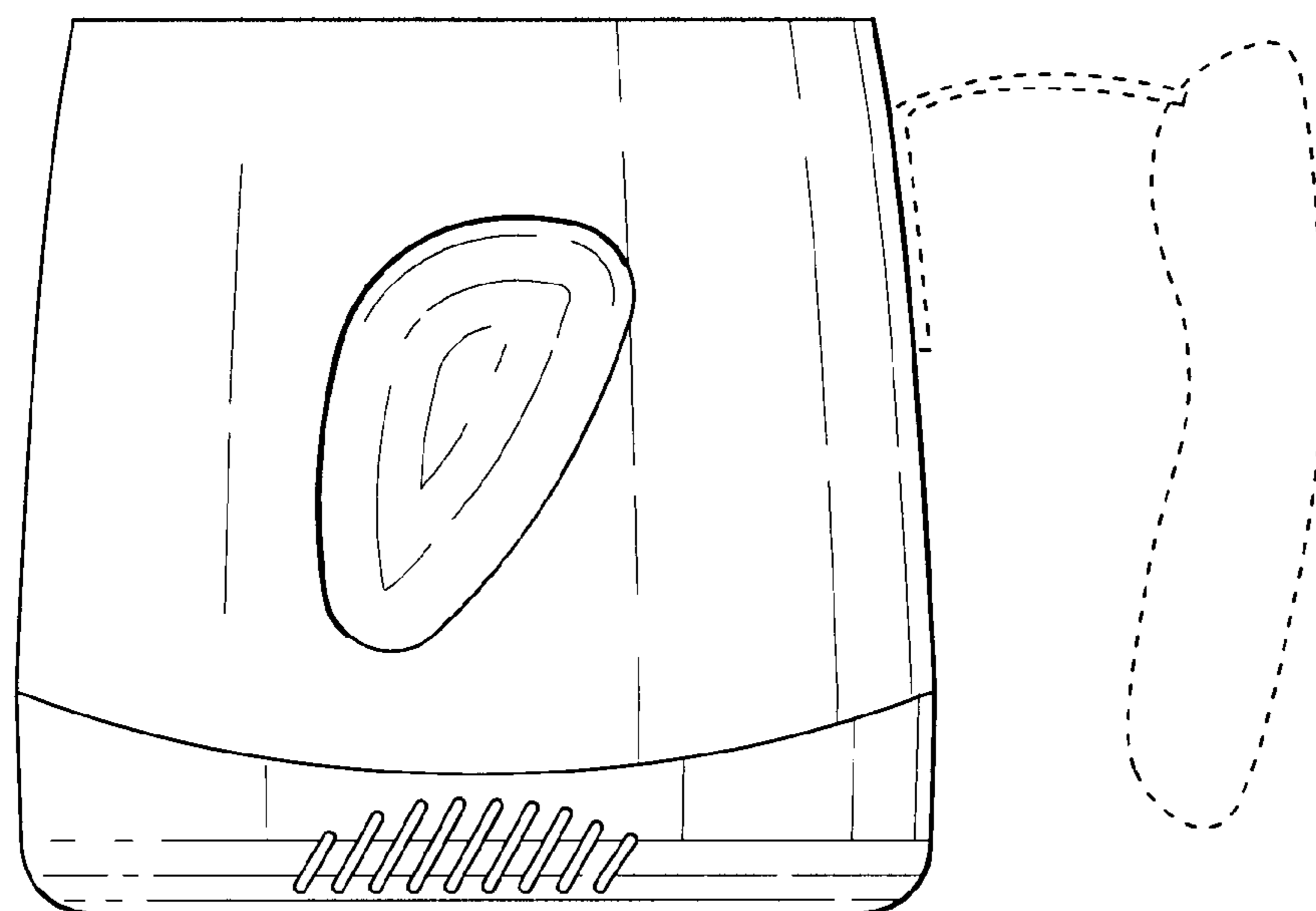


Fig. 4

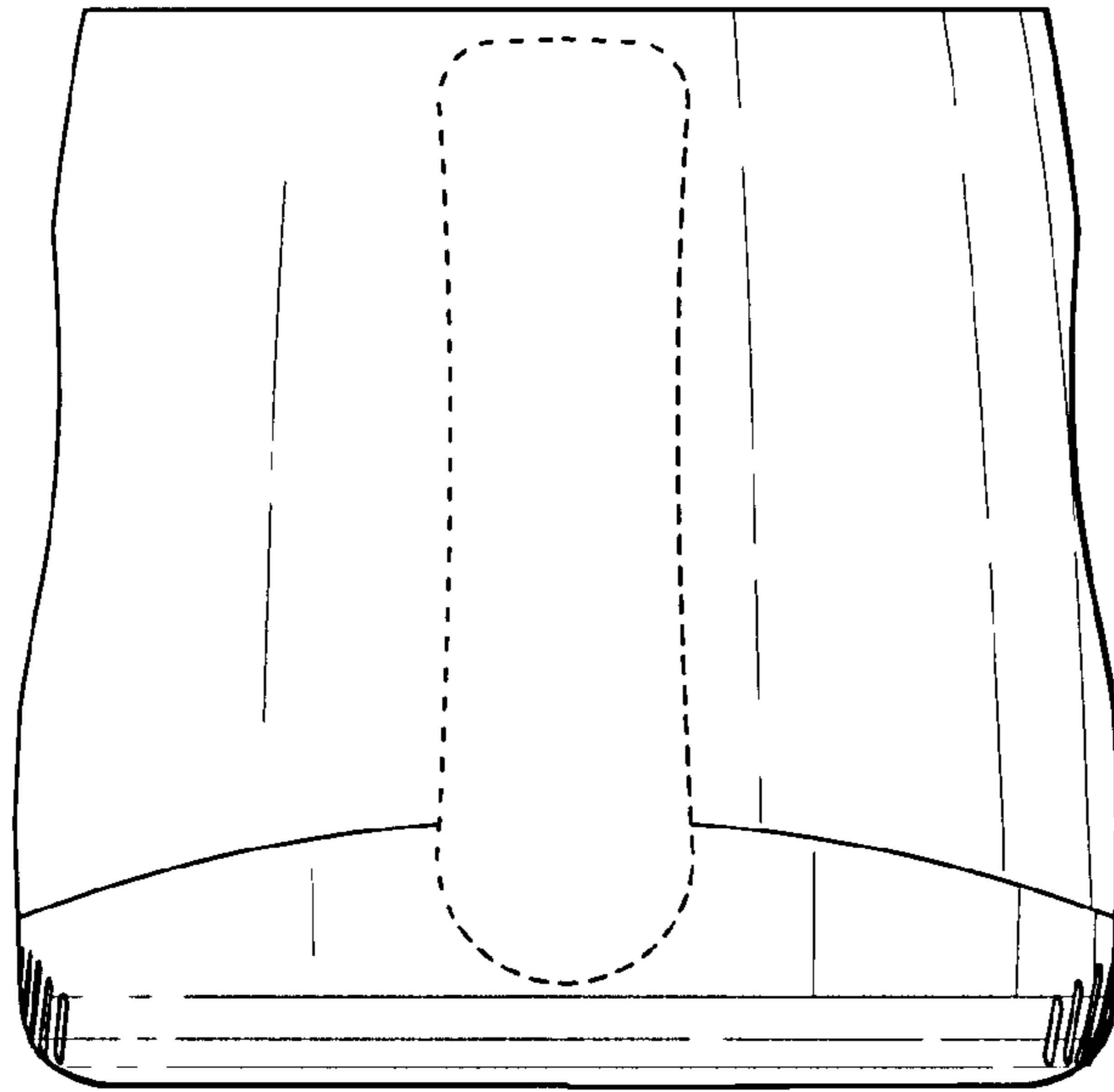


Fig. 5

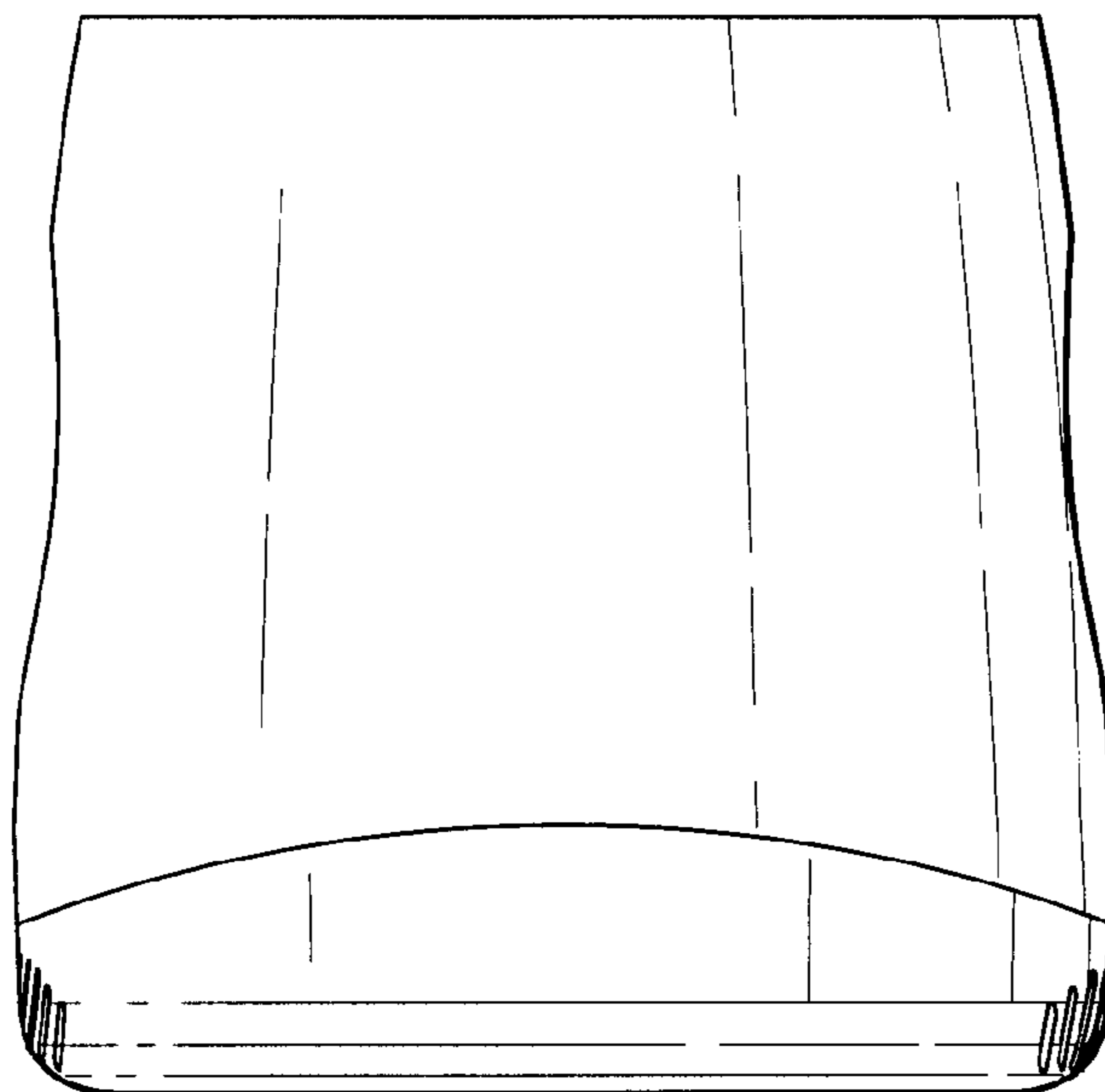


Fig. 6

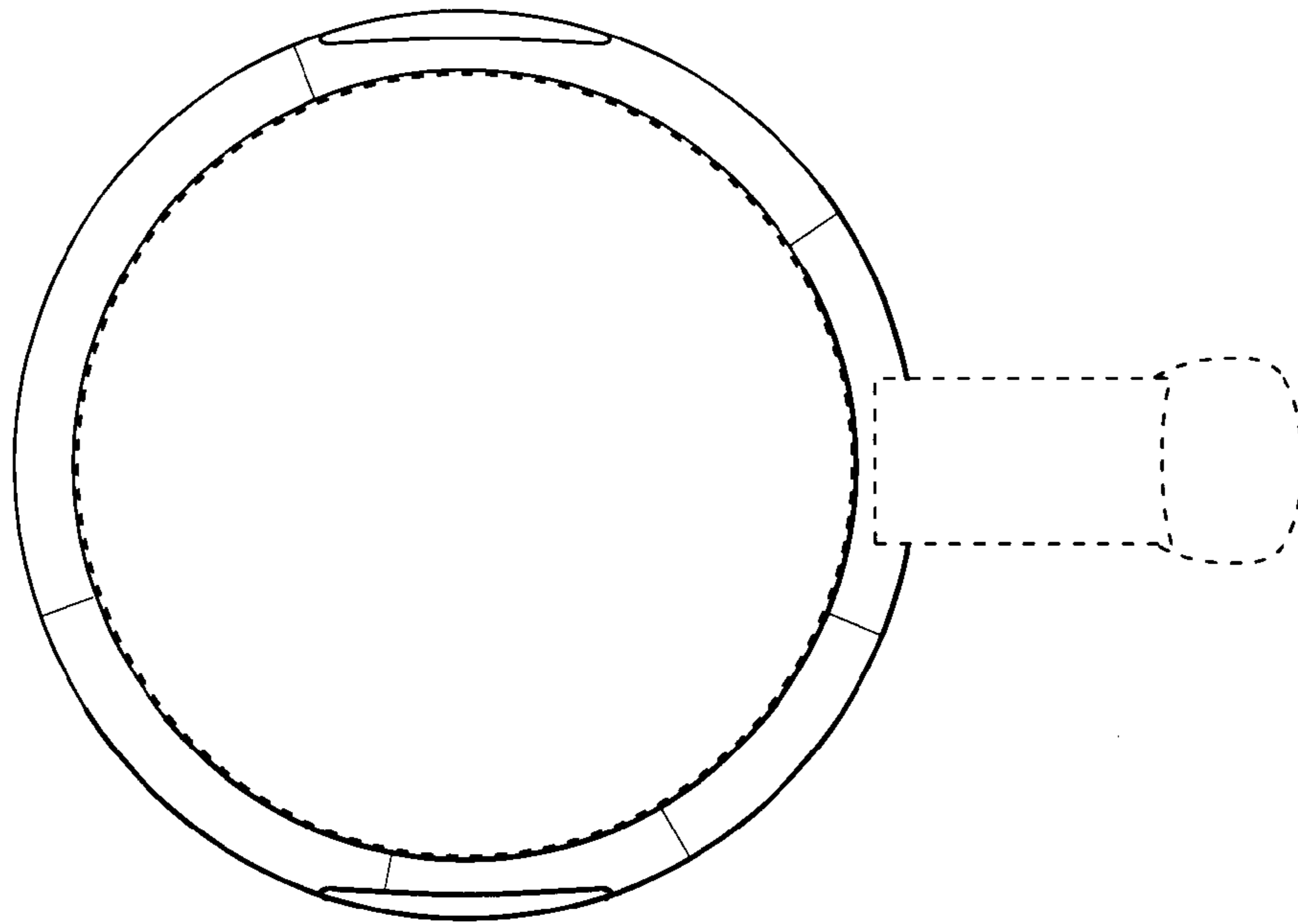


Fig. 7

