

US00D507149S

(12) **United States Design Patent**
Ball et al.

(10) **Patent No.: US D507,149 S**
(45) **Date of Patent: ** Jul. 12, 2005**

(54) **BLENDER BASE**

(75) Inventors: **Alan Ball**, Somerville, MA (US);
Devon Moore, Decatur, GA (US)

(73) Assignee: **Conair Corporation**, Stamford, CT
(US)

(**) Term: **14 Years**

(21) Appl. No.: **29/213,131**

(22) Filed: **Sep. 14, 2004**

Related U.S. Application Data

(63) Continuation of application No. 29/200,176, filed on Feb. 24, 2004.

(51) **LOC (8) Cl.** **31-00**

(52) **U.S. Cl.** **D7/386**

(58) **Field of Search** D7/376-386, 312-321,
D7/412, 413; 241/33, 101.01, 282.2, 285.1,
285.2, 301; 366/65, 197, 199, 241, 349

(56) **References Cited**

U.S. PATENT DOCUMENTS

- D175,601 S * 9/1955 Huck D7/386
- D176,257 S * 12/1955 Hill D7/386
- D181,541 S * 11/1957 Madl D7/378
- D199,888 S * 12/1964 Dewenter D7/378

- D204,924 S * 5/1966 Di Sesa D7/378
- D228,698 S * 10/1973 Barnard, Jr. D7/378
- D235,608 S * 7/1975 Yoshida et al. D7/378
- D368,204 S * 3/1996 Jonke D7/386
- D444,344 S * 7/2001 Barthelemy et al. D7/378
- D466,362 S * 12/2002 Moore D7/378
- D466,759 S * 12/2002 Moore D7/378
- D473,100 S * 4/2003 Sakai et al. D7/378
- D475,572 S * 6/2003 Black D7/386

* cited by examiner

Primary Examiner—Caron D. Veynar

(74) *Attorney, Agent, or Firm*—Ohlandt, Greeley, Ruggiero & Perle, L.L.P.

(57) **CLAIM**

The ornamental design for a blender base, as shown and described.

DESCRIPTION

FIG. 1 is a front view of a blender base according to the present invention with a blender pitcher being shown in phantom to indicate that the blender pitcher forms no part of the claimed invention;

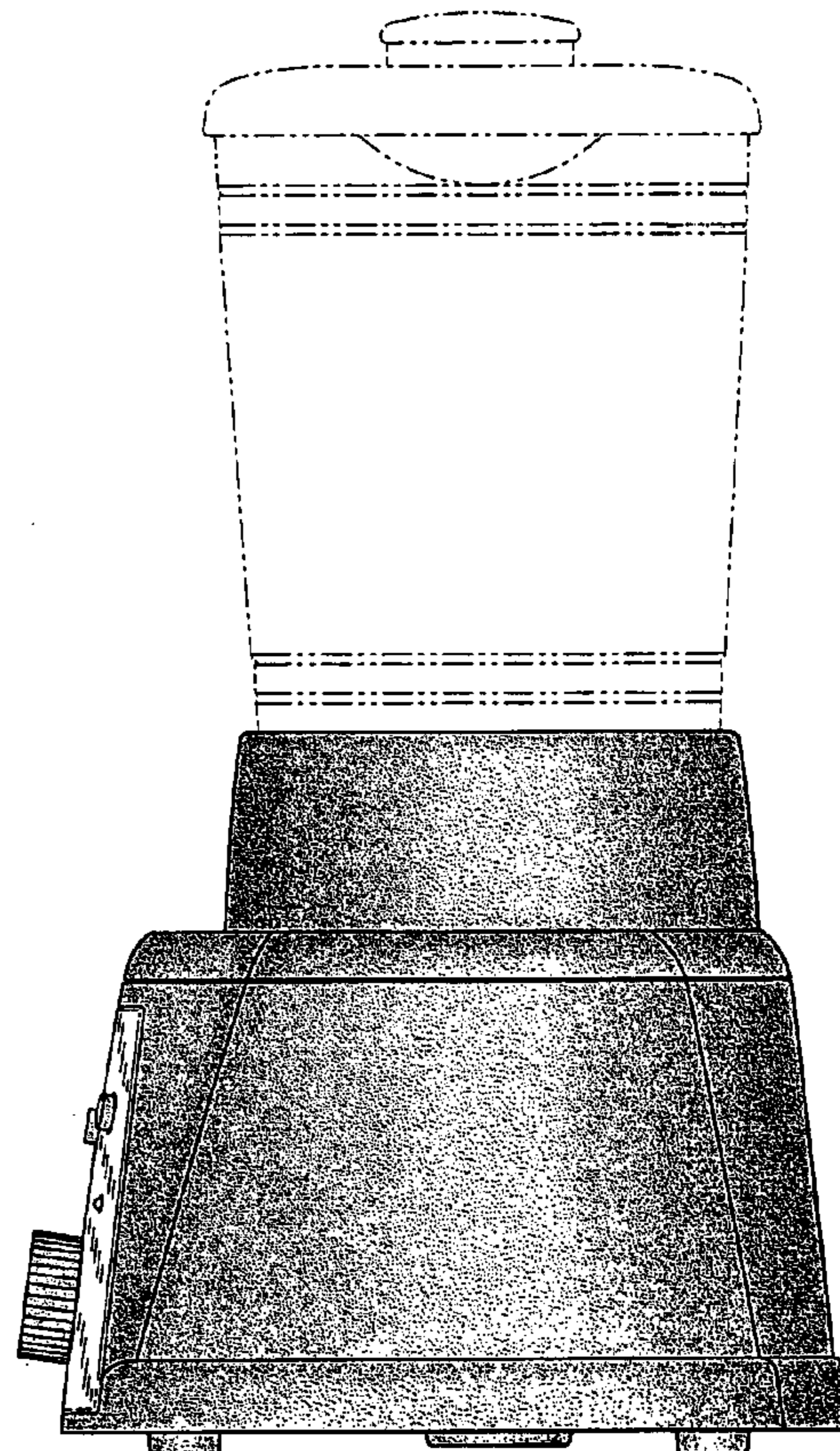
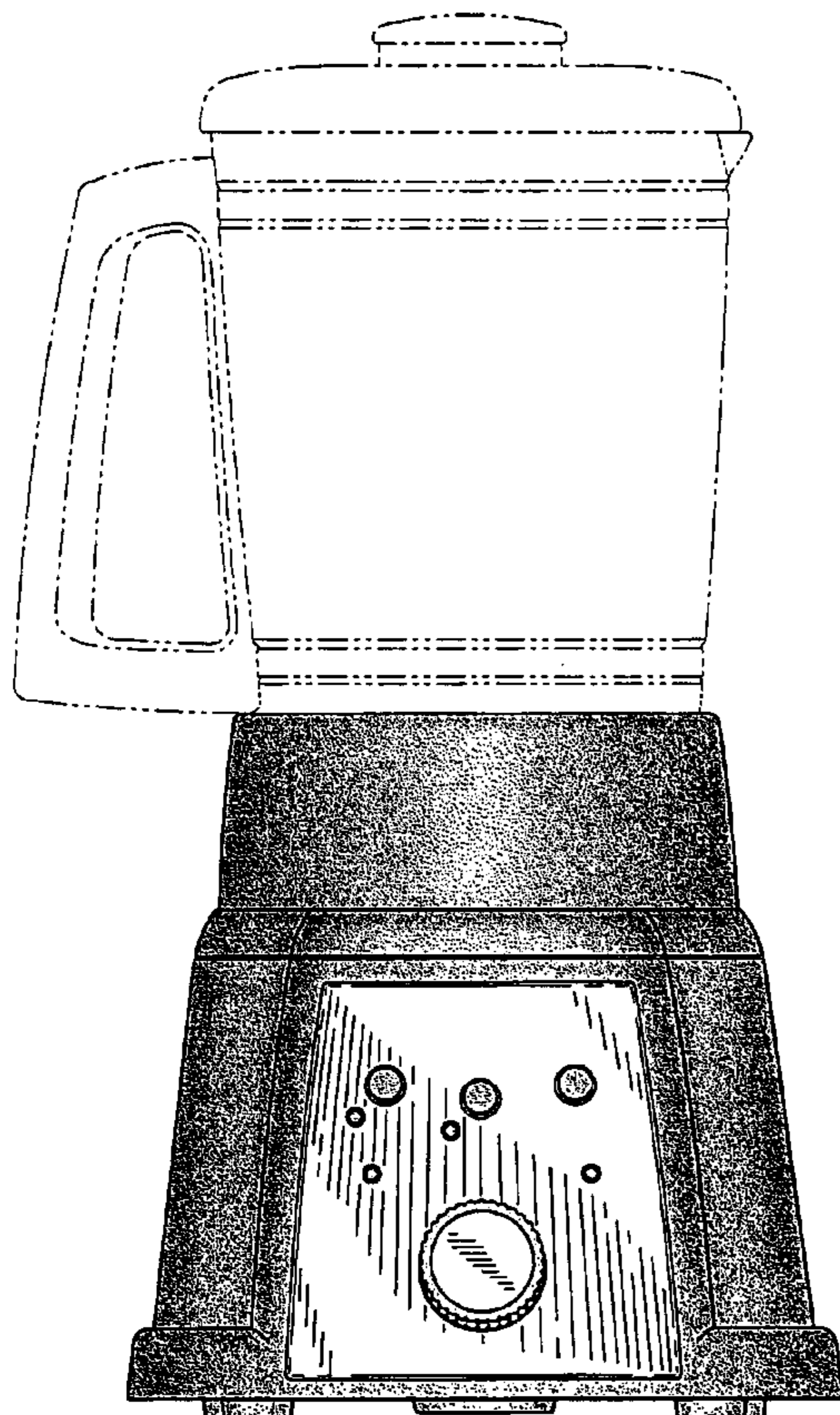
FIG. 2 is a rear view of the blender base of FIG. 1;

FIG. 3 is a first side view of the blender base of FIG. 1;

FIG. 4 is a second side view of the blender base of FIG. 1; and,

FIG. 5 is a top view of the blender base of FIG. 1.

1 Claim, 5 Drawing Sheets



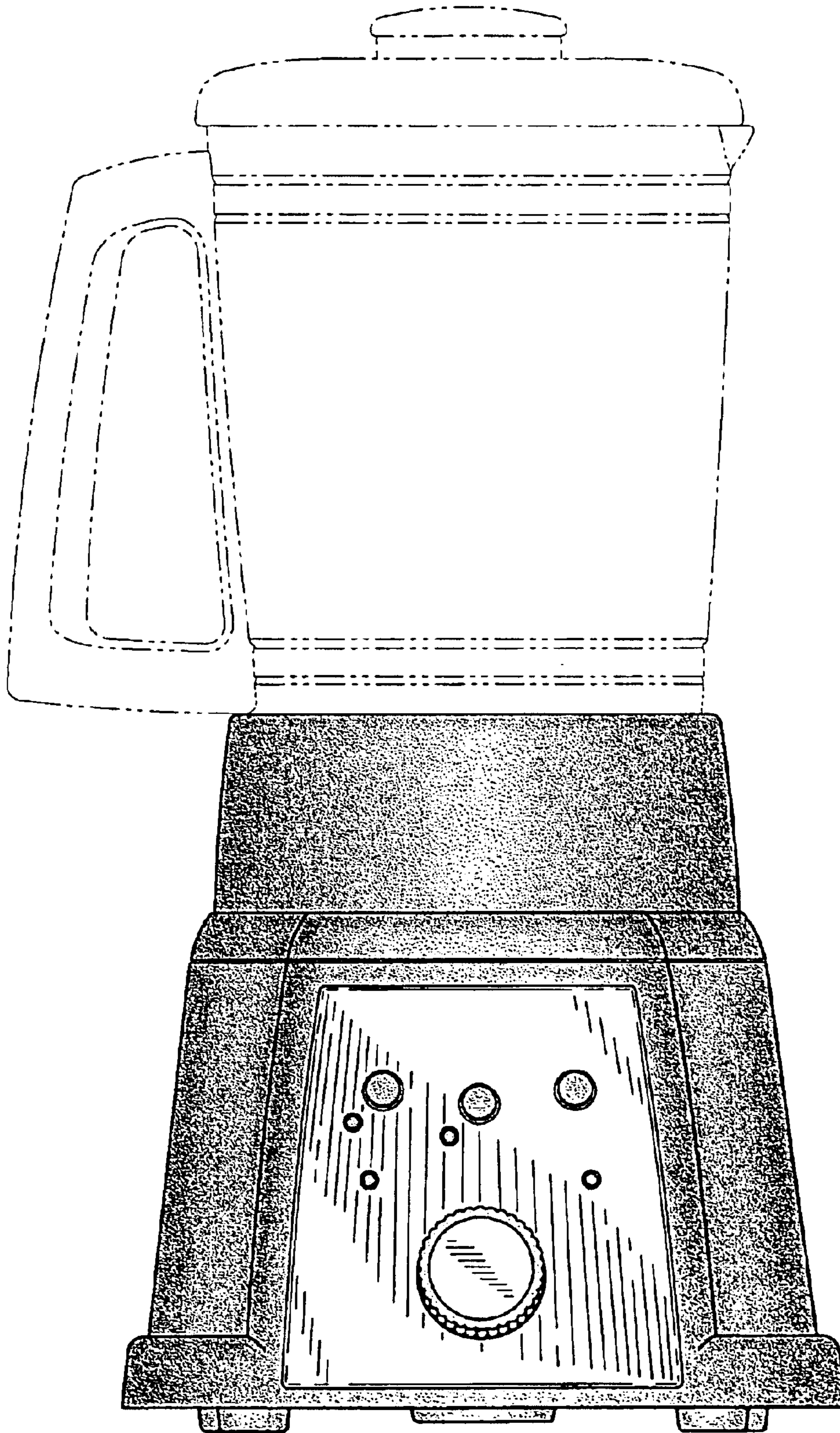


FIG. 1

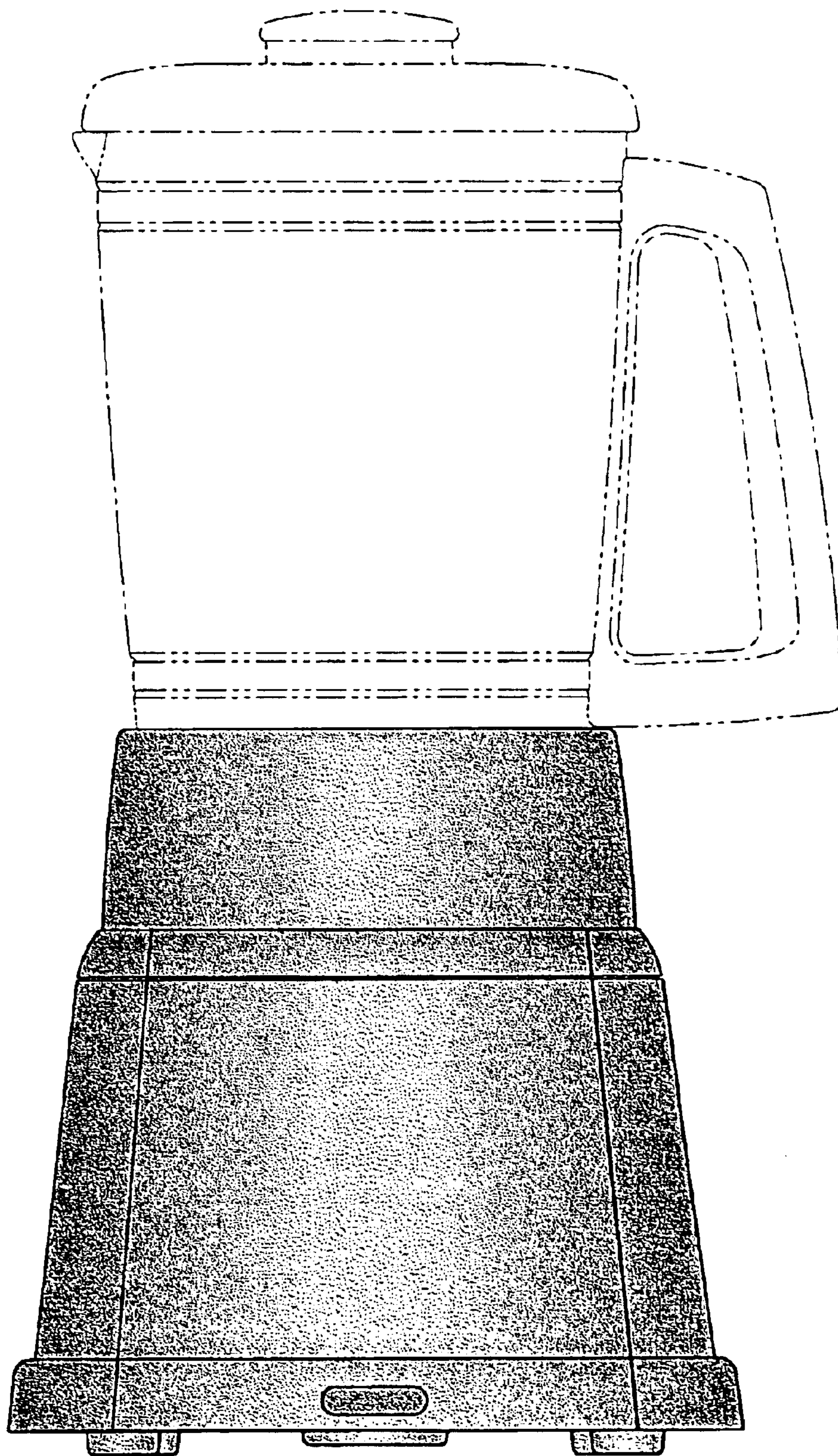


FIG. 2

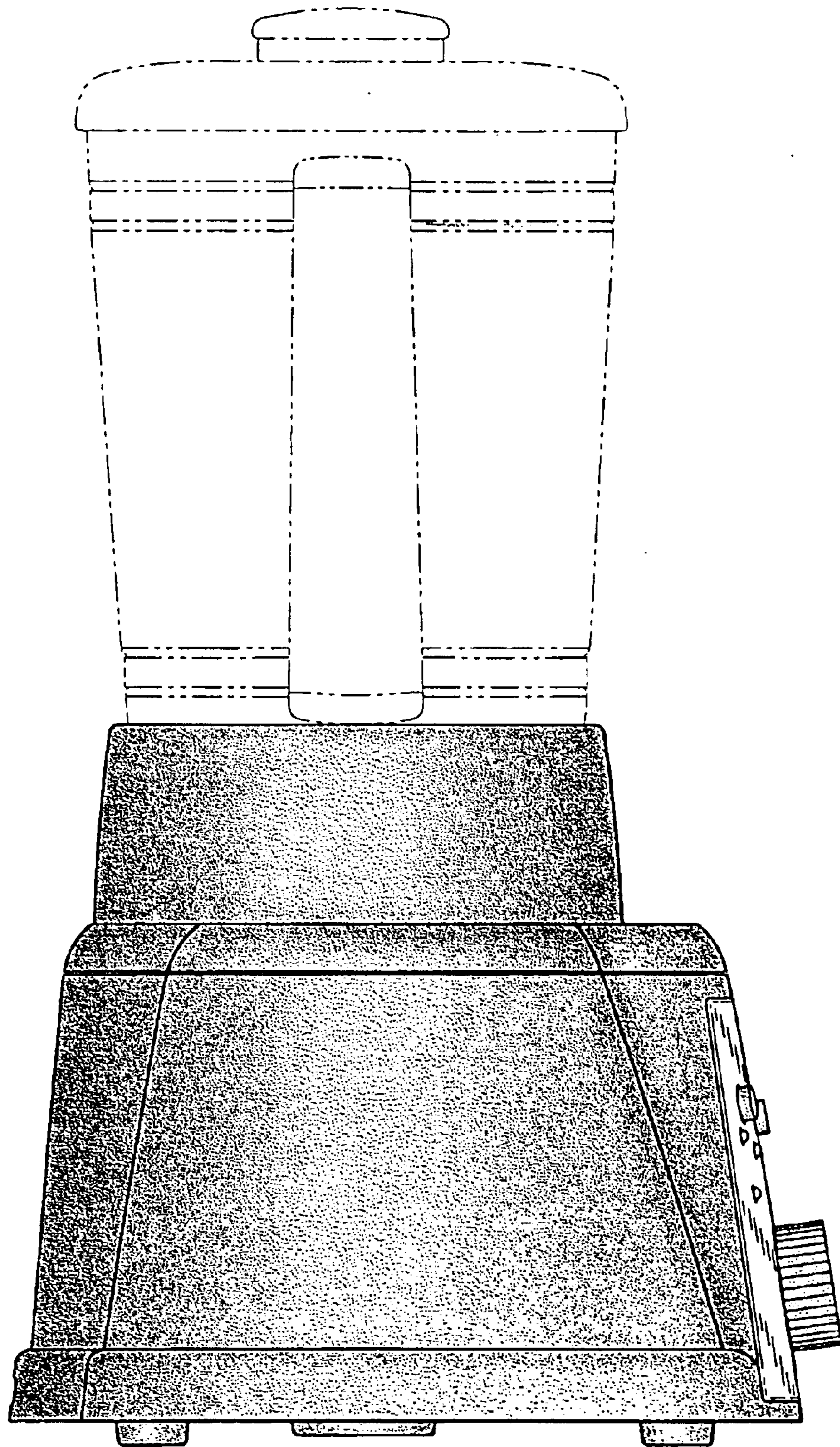


FIG. 3

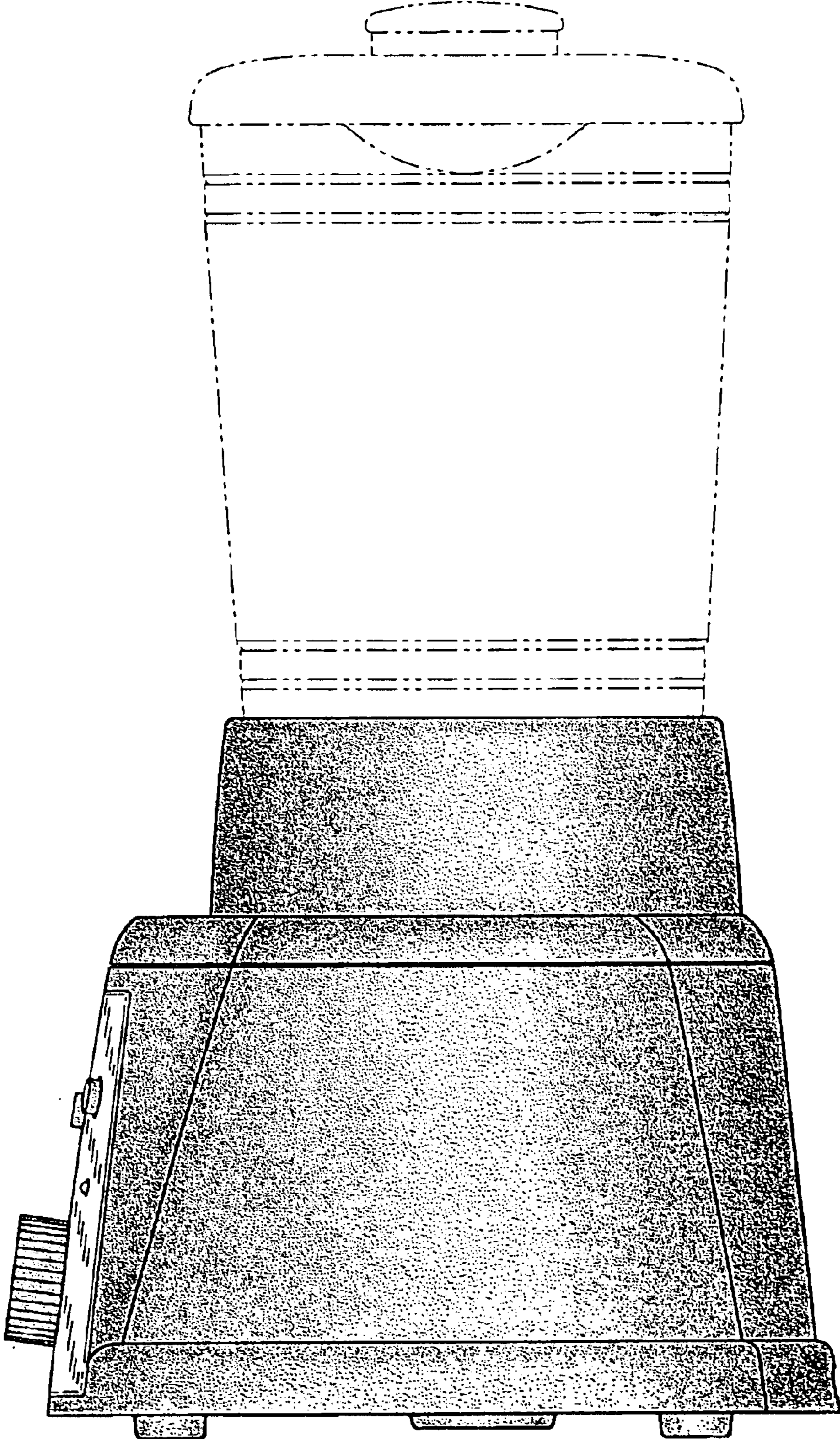


FIG. 4

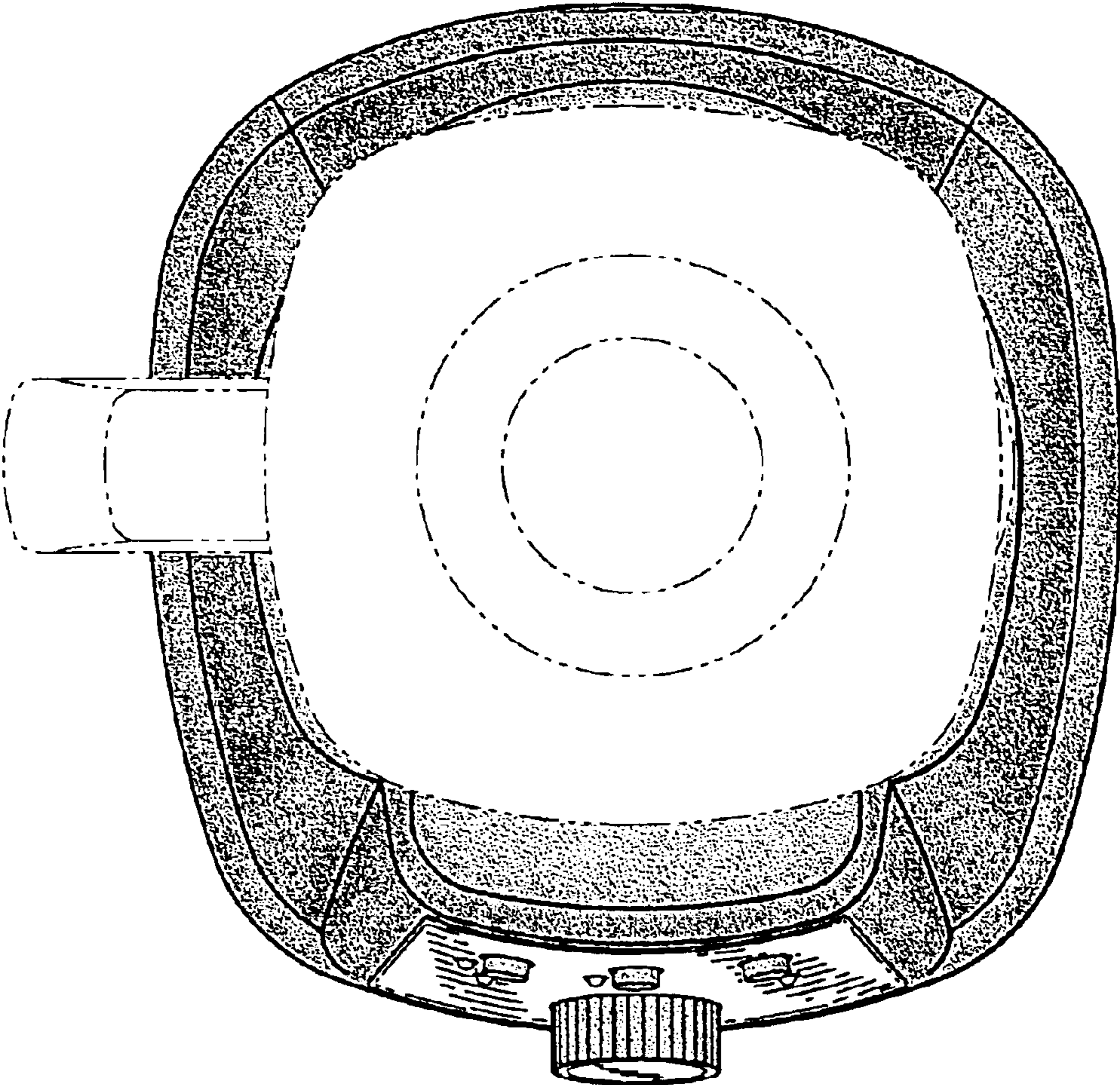


FIG. 5