

US00D507145S

(12) **United States Design Patent**
Prata dos Santos

(10) **Patent No.: US D507,145 S**
(45) **Date of Patent: ** Jul. 12, 2005**

(54) **COMPACT DISC HOLDER**

(76) Inventor: **João Miguel Cardoso Prata dos Santos**, No. 101 2nd Floor Right, 1250-190 Lisbon (PT)

(**) Term: **14 Years**

(21) Appl. No.: **29/215,081**

(22) Filed: **Oct. 13, 2004**

(30) **Foreign Application Priority Data**

Apr. 14, 2004 (PT) 181

(51) **LOC (8) Cl.** **06-04**

(52) **U.S. Cl.** **D6/629**

(58) **Field of Search** D6/407, 629, 630, D6/467, 468; 206/307.1, 387.14; 211/40, 41.12; 312/9.1, 9.9, 9.47, 9.64

(56) **References Cited**

U.S. PATENT DOCUMENTS

| | | | | | |
|-------------|---|---------|----------------|-------|----------|
| D160,344 S | * | 10/1950 | Shapiro | | D6/468 |
| D161,139 S | * | 12/1950 | Shapiro | | D6/467 |
| 2,825,465 A | * | 3/1958 | Burgo | | 211/40 |
| D201,733 S | * | 7/1965 | Vovakas | | D6/469 |
| 3,557,965 A | * | 1/1971 | Agerholm | | 211/11 |
| 4,507,330 A | * | 3/1985 | Schaaf | | 211/41.1 |
| D309,524 S | * | 7/1990 | Egly et al. | | D6/629 |
| D310,460 S | * | 9/1990 | Vergnano | | D6/596 |
| D332,708 S | * | 1/1993 | Schmidt et al. | | D6/407 |
| D336,182 S | * | 6/1993 | Machut | | D6/467 |
| D336,752 S | * | 6/1993 | Lattimer | | D6/467 |
| D358,525 S | * | 5/1995 | Sedon et al. | | D6/629 |
| D365,122 S | * | 12/1995 | Thorup | | D6/467 |
| D401,451 S | * | 11/1998 | Sherman | | D6/467 |
| D402,137 S | * | 12/1998 | Blazevich | | D6/467 |

| | | | | | |
|--------------|---|---------|--------------|-------|-----------|
| 5,921,404 A | * | 7/1999 | Cooke et al. | | 211/40 |
| D415,203 S | * | 10/1999 | Sherman | | D6/467 |
| 6,607,084 B1 | * | 8/2003 | Spinelli | | 211/71.01 |

OTHER PUBLICATIONS

U.S. Appl. No. 29/215,080; filed Oct. 13, 2004.
U.S. Appl. No. 29/215,082; filed Oct. 13, 2004.
60 CD POD; printed from <http://www.allmultimediacom.com> on Dec. 3, 2004.
Staples 40 CD Caseless Storage Box, Platinum; printed from <http://www.staples.com> on Dec. 3, 2004.

* cited by examiner

Primary Examiner—Cathron C. Brooks

(74) *Attorney, Agent, or Firm*—Fross Zelnick Lehrman & Zissu, P.C.; David I. Greenbaum, Esq.

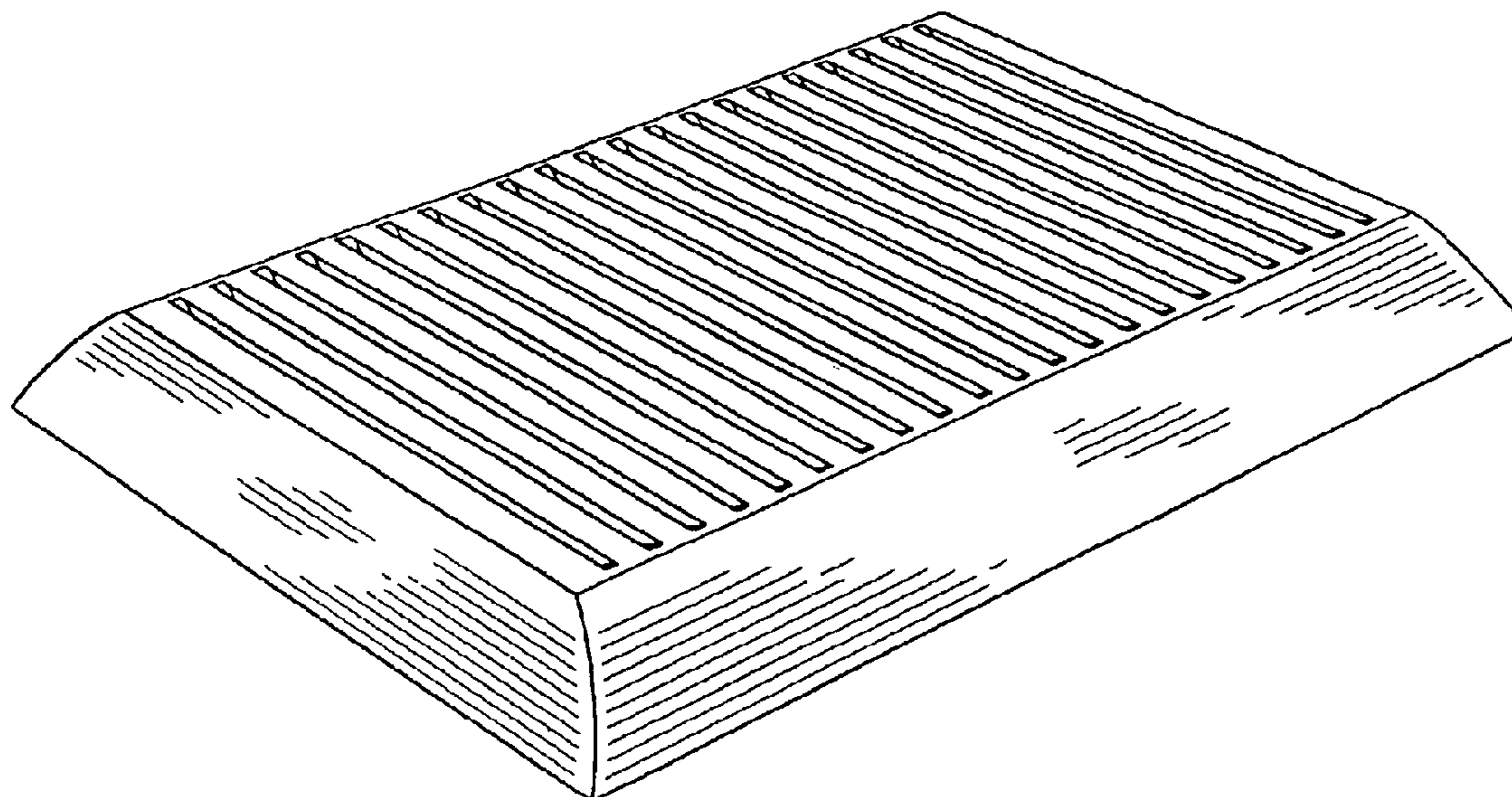
(57) **CLAIM**

The ornamental design for a compact disc holder, as shown and described.

DESCRIPTION

FIG. 1 is a perspective view of a compact disc holder showing the new design;
FIG. 2 is a front view of the compact disc holder shown in FIG. 1;
FIG. 3 is a side view of the compact disc holder shown in FIG. 1;
FIG. 4 is a top view of the compact disc holder shown in FIG. 1; and,
FIG. 5 is a top perspective view of the compact disc holder shown in FIG. 1.
The bottom of the compact disc holder is not part of the claimed design.

1 Claim, 3 Drawing Sheets



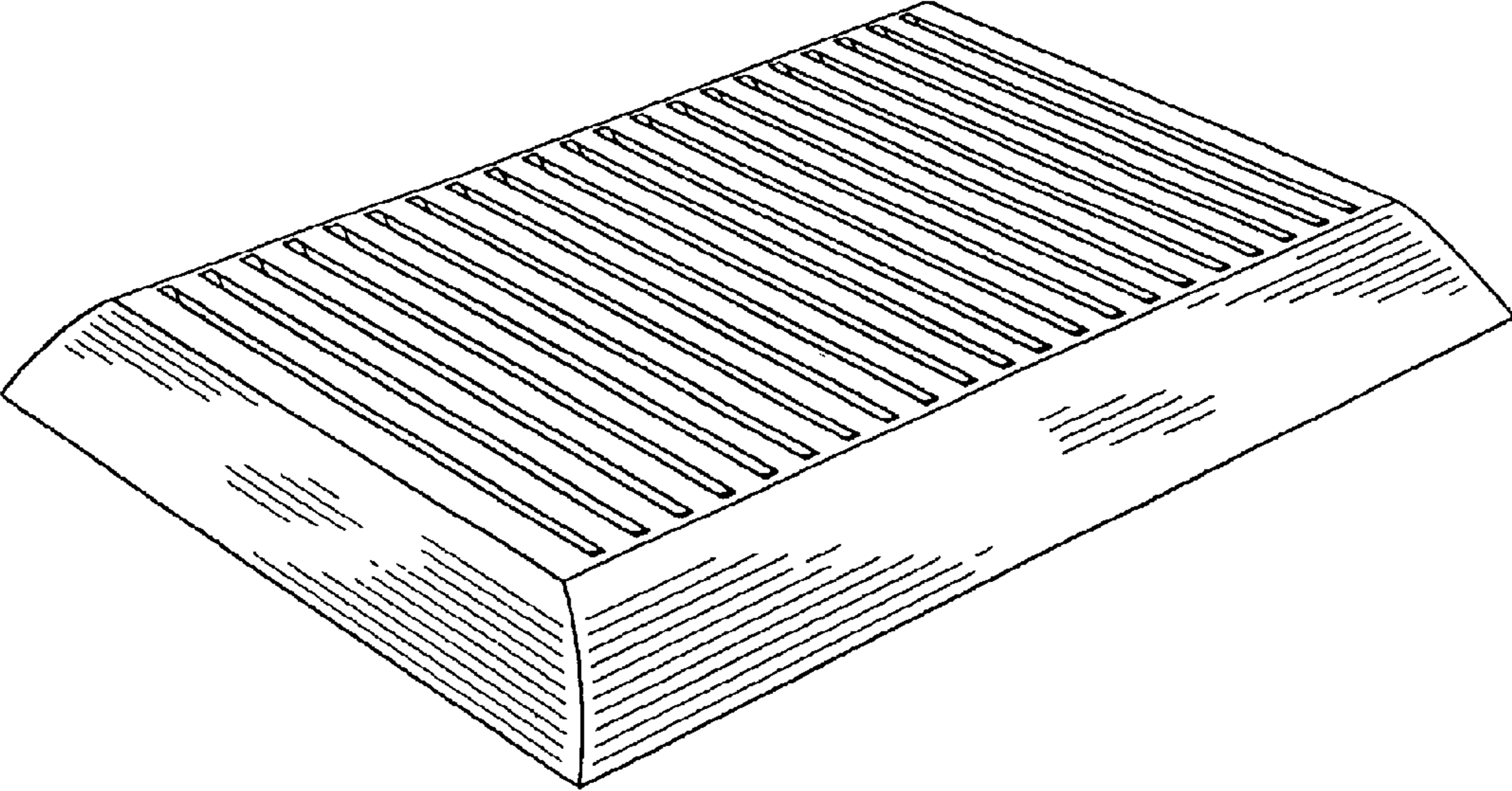


FIG. 1



FIG. 2



FIG. 3

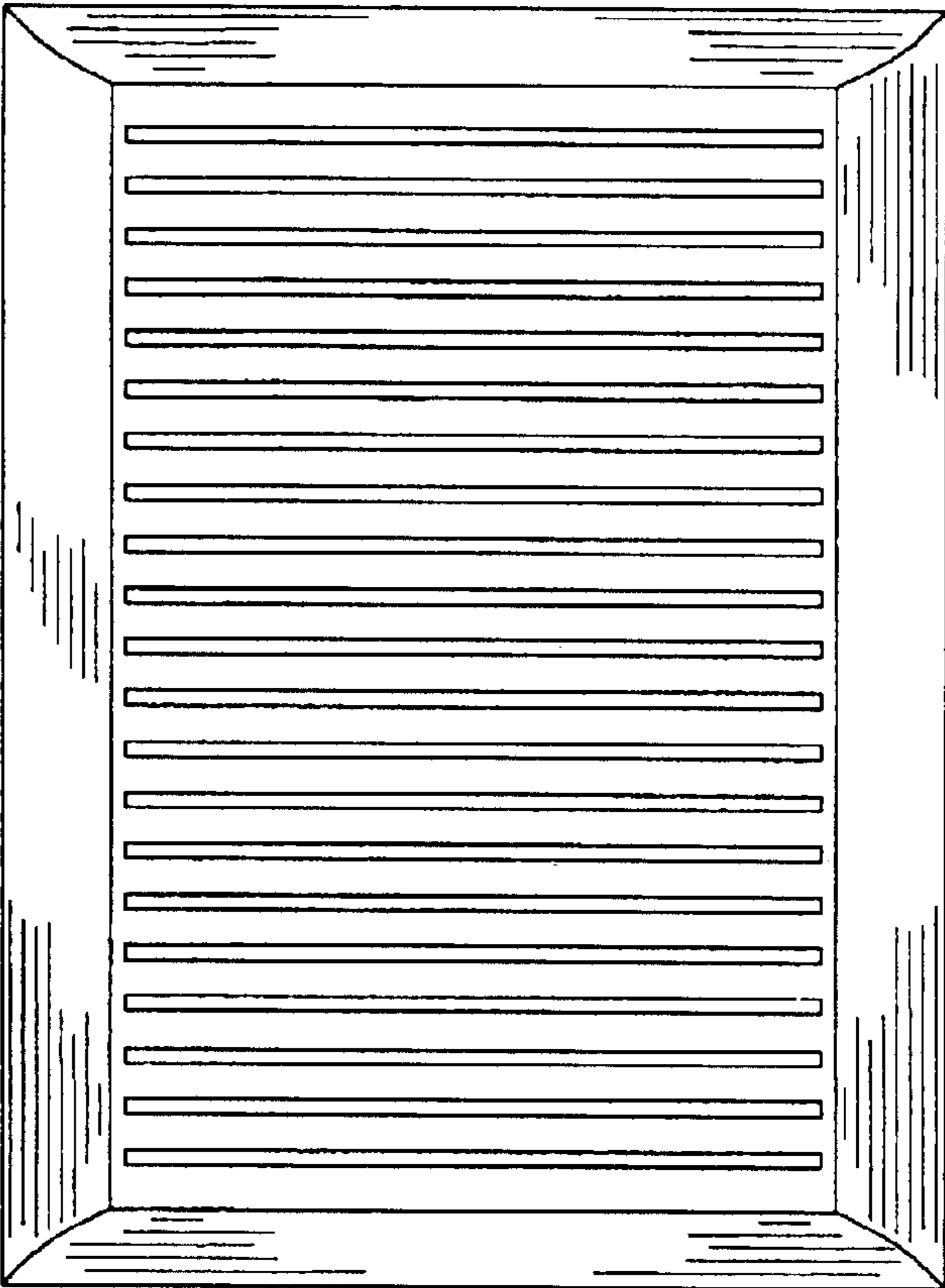


FIG. 4

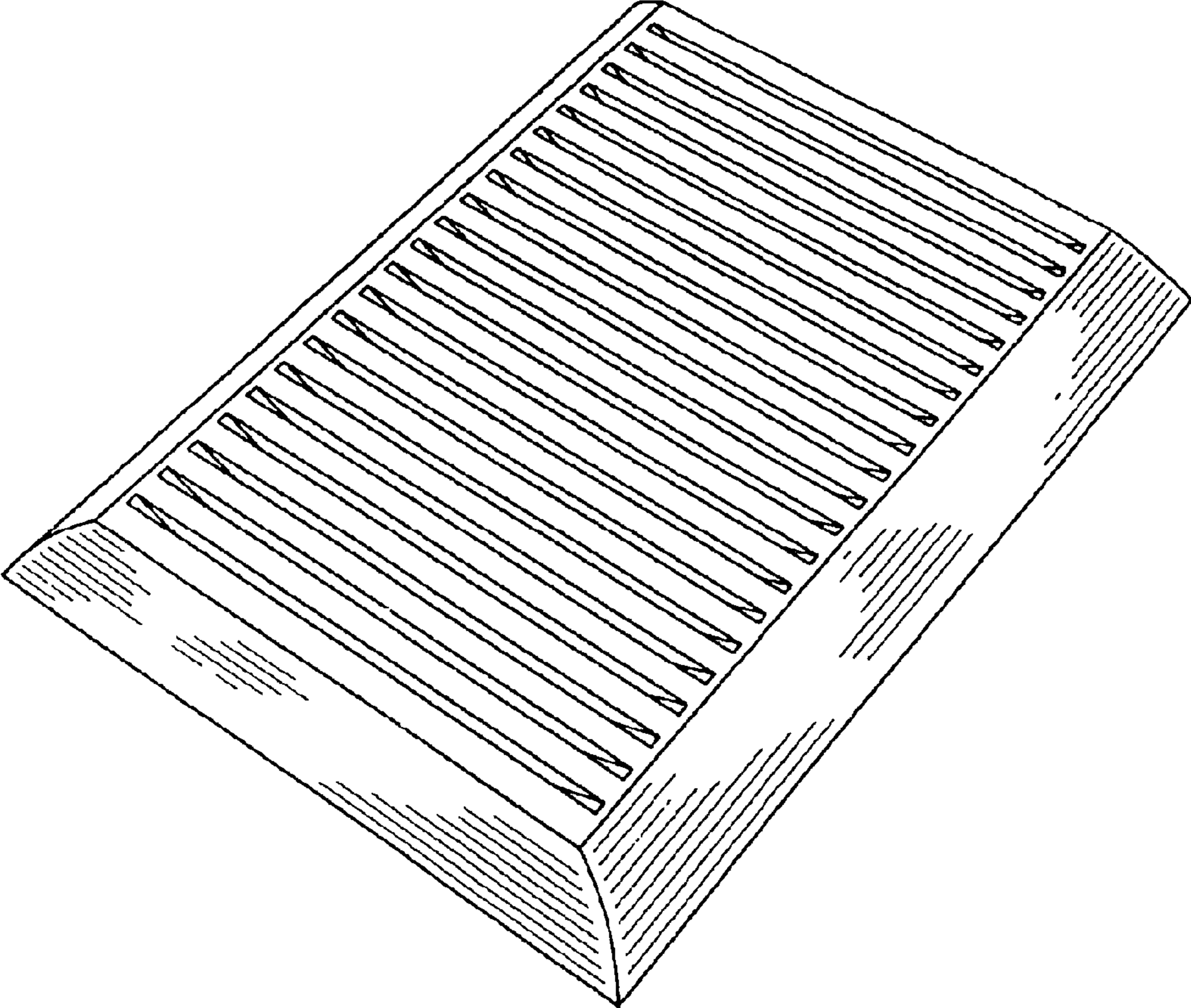


FIG. 5