



US00D507141S

(12) **United States Design Patent**  
**Allsopp**

(10) **Patent No.:** **US D507,141 S**  
(45) **Date of Patent:** **\*\* Jul. 12, 2005**

(54) **CENTER PIN FOR A BLIND**  
(75) Inventor: **Reginald Charles Allsopp**, Cheshire (GB)  
(73) Assignee: **Louver-Lite Limited**, Cheshire (GB)  
(\*\*) Term: **14 Years**  
(21) Appl. No.: **29/189,994**  
(22) Filed: **Sep. 12, 2003**  
(30) **Foreign Application Priority Data**

EP	0 717 166	6/1996
EP	0 869 254	10/1998
EP	0 940 553	9/1999
EP	0 972 906	1/2000
EP	0 976 909	2/2000
FR	2 800 121	4/2001
GB	2 181 475	4/1987
GB	2 313 143	5/1997
GB	2104201	10/2001
GB	2106405	1/2002
GB	3006555	9/2002
JP	09 310 570	12/1997
WO	94/15057	7/1994
WO	96/05400	2/1996

Aug. 27, 2003 (EM) ..... 71055  
(51) **LOC (8) Cl.** ..... **06-10**  
(52) **U.S. Cl.** ..... **D6/580**  
(58) **Field of Search** ..... D6/580; 160/323.1,  
160/307, 321, 177 R

\* cited by examiner

*Primary Examiner*—Holly Baynham  
(74) *Attorney, Agent, or Firm*—Haugen Law Firm PLLP

(56) **References Cited**

(57) **CLAIM**

The ornamental design for a center pin for a blind, as shown and described.

**U.S. PATENT DOCUMENTS**

**DESCRIPTION**

3,581,800	A	*	6/1971	Nelson et al.	.....	160/323.1
4,865,109	A		9/1989	Sherman		
5,137,073	A	*	8/1992	Huang	.....	160/321
5,297,608	A	*	3/1994	Rap et al.	.....	160/177 R
5,361,822	A		11/1994	Nijs		
5,375,643	A		12/1994	Rude		
5,669,432	A	*	9/1997	Nisenson et al.	.....	160/307
6,173,825	B1		1/2001	Liu		
6,325,133	B1	*	12/2001	Lin	.....	160/177 R
2003/0085003	A1		5/2003	Cheng		

FIG. 1 is a perspective view from the front, above, and one side of the center pin for a blind of the present design; FIG. 2 is a perspective view from the front, below, and one side of the present design; FIG. 3 is a plan view from one end of the design; FIG. 4 is a plan view from the opposed end of the design as shown in FIG. 3; FIG. 5 is a perspective view from the rear, above, and the other side of the design as shown in FIG. 1; and, FIG. 6 is a perspective view from the rear, below, and the other side of the design as shown in FIG. 1.

**FOREIGN PATENT DOCUMENTS**

DE	200 22 527	11/2001
EP	0 481 688	10/1991

**1 Claim, 3 Drawing Sheets**

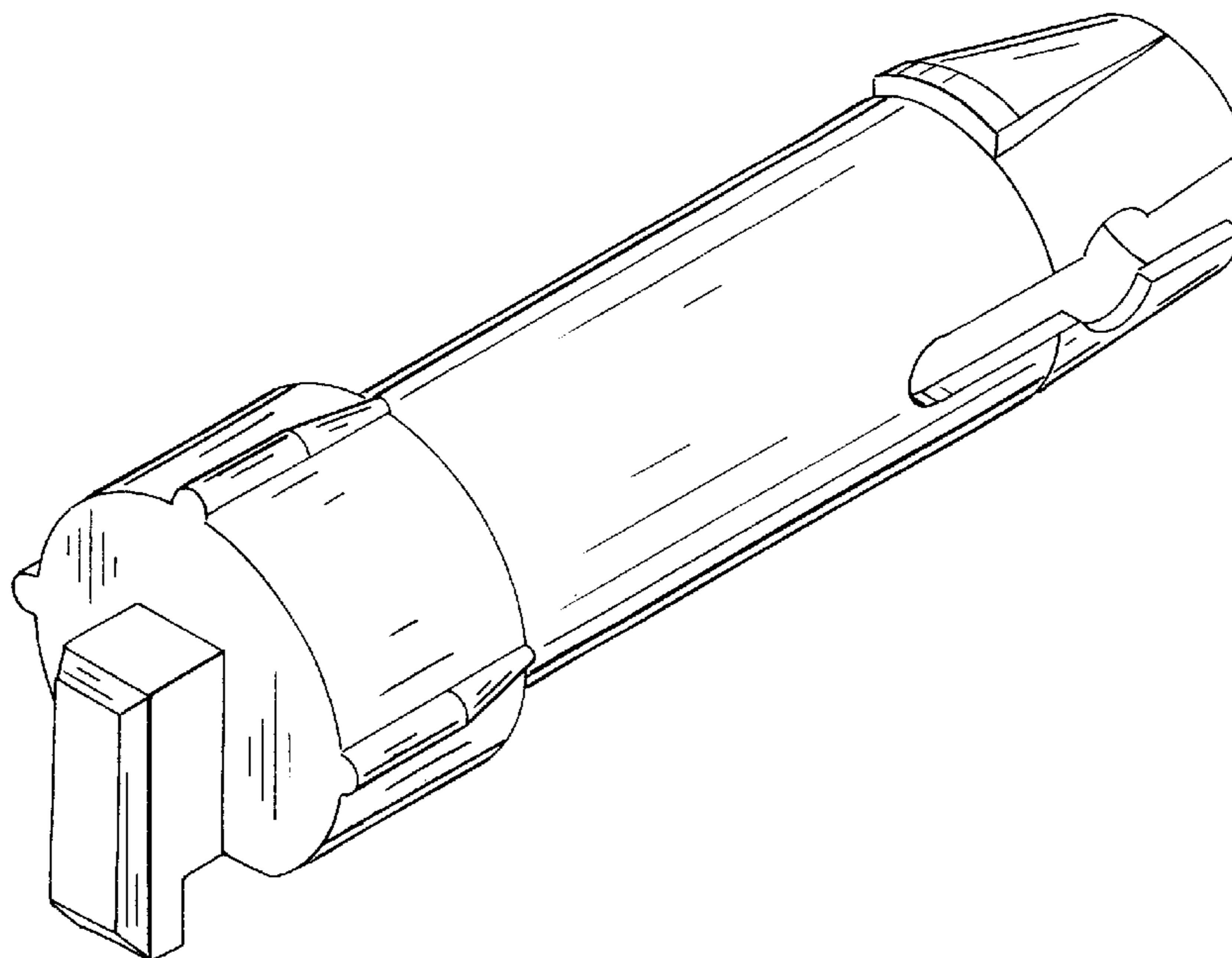


Fig.-1

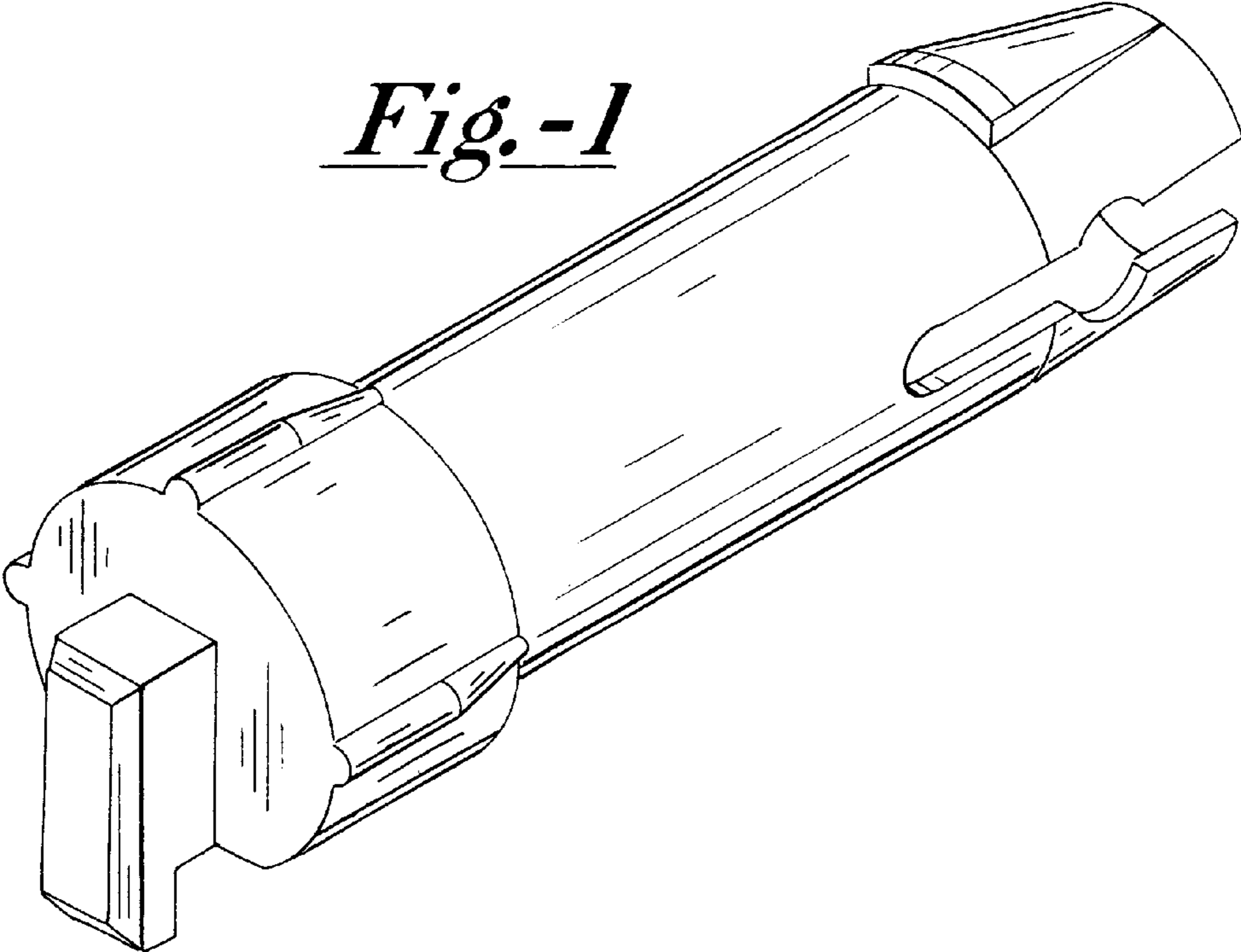
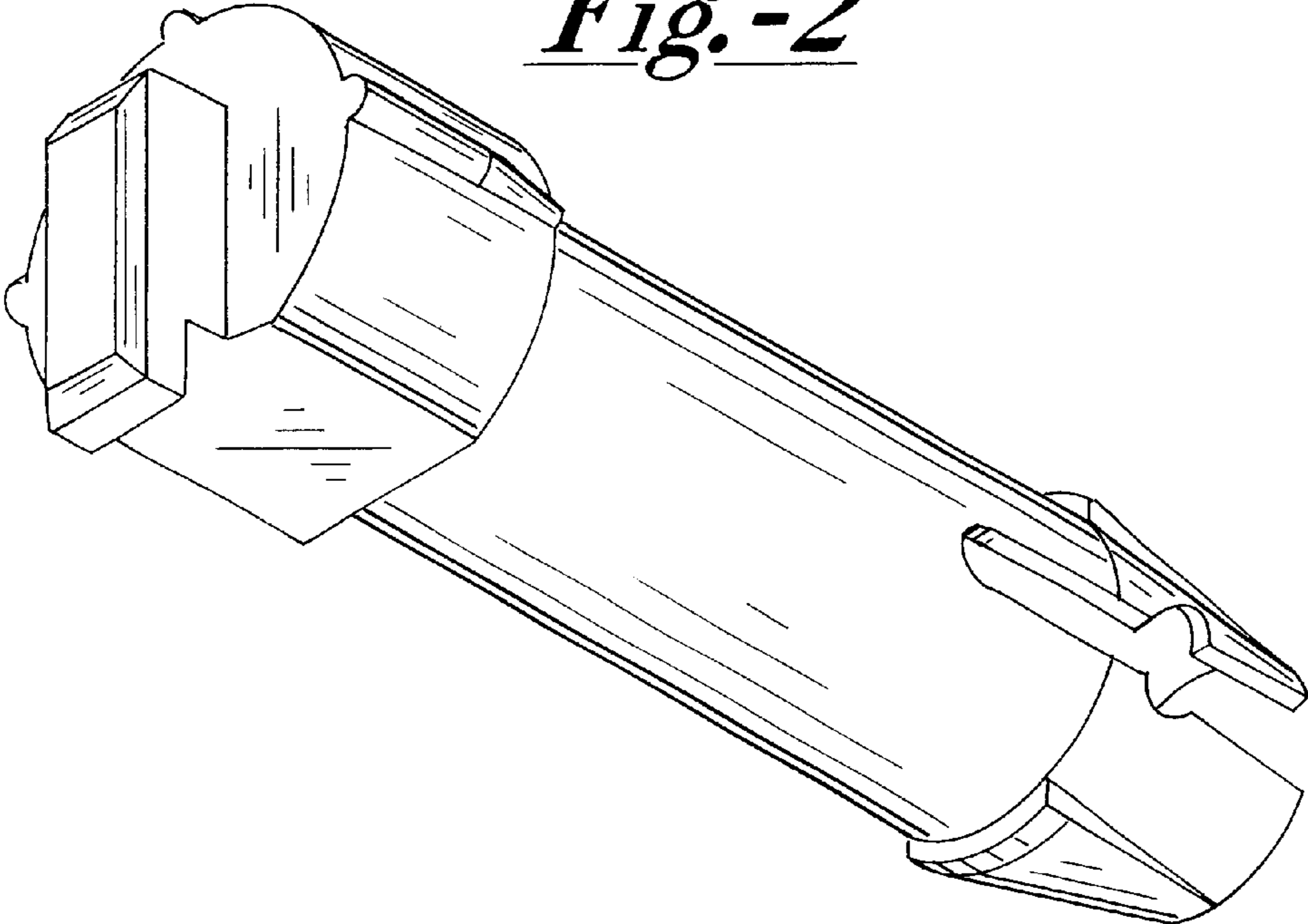
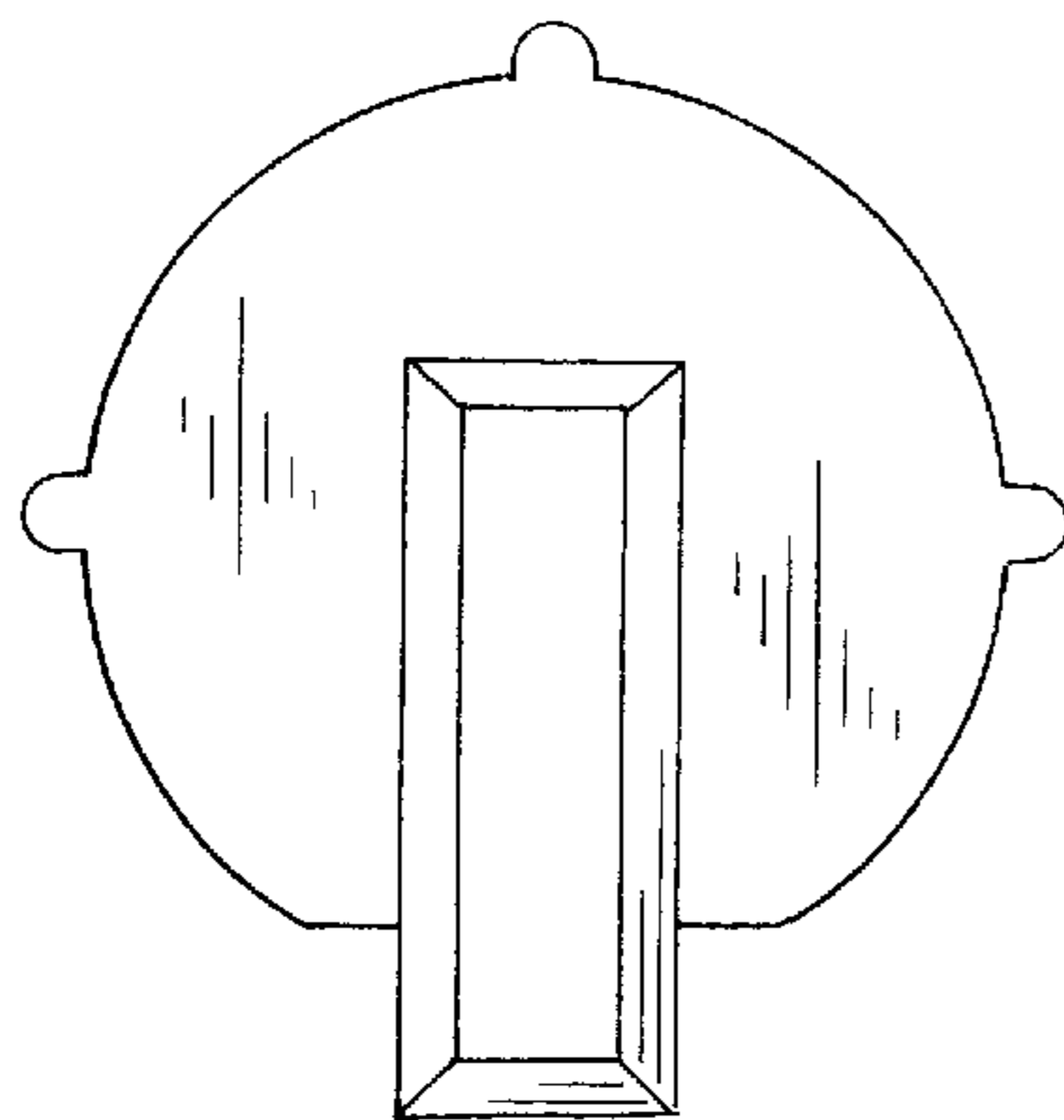


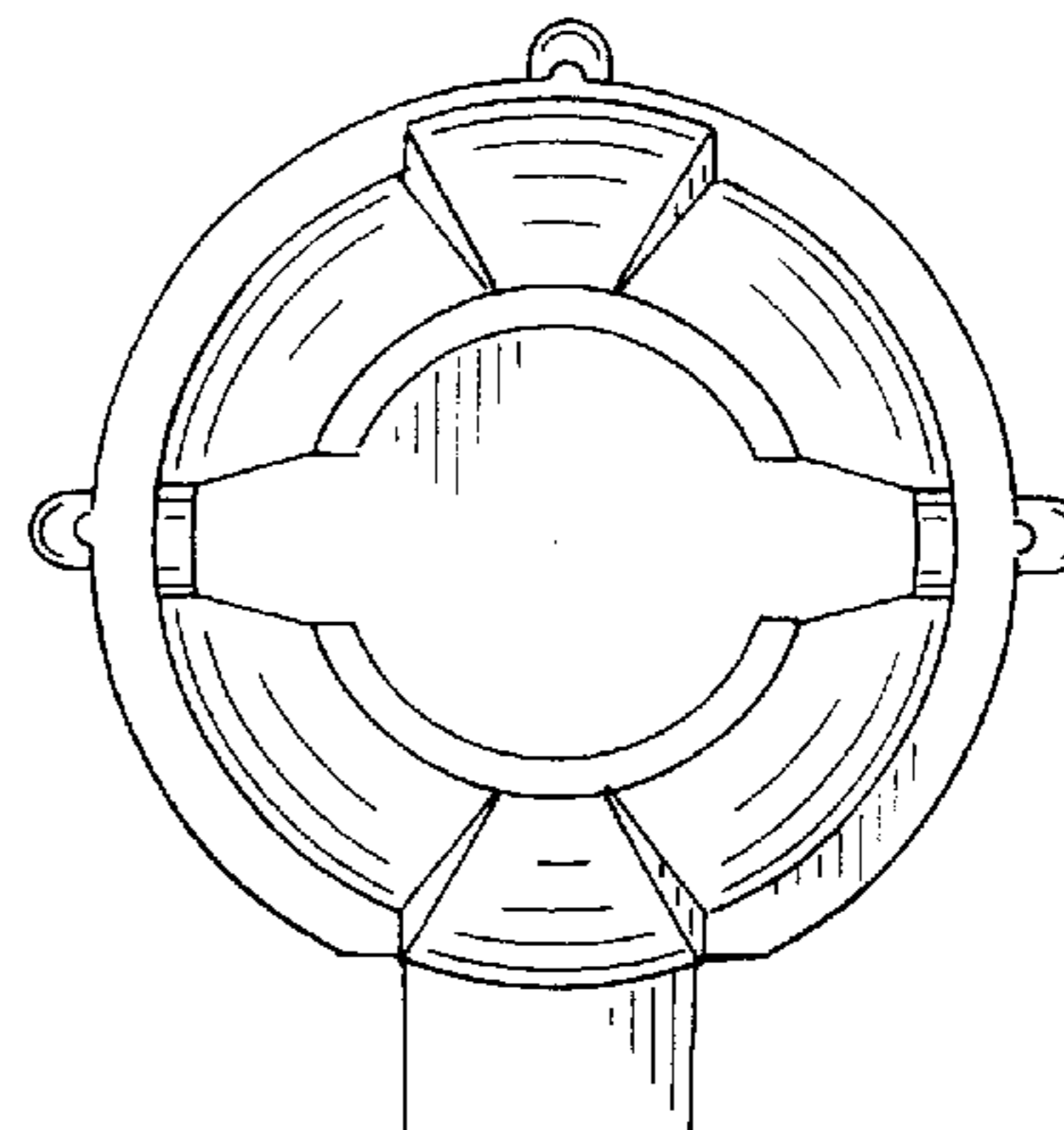
Fig.-2



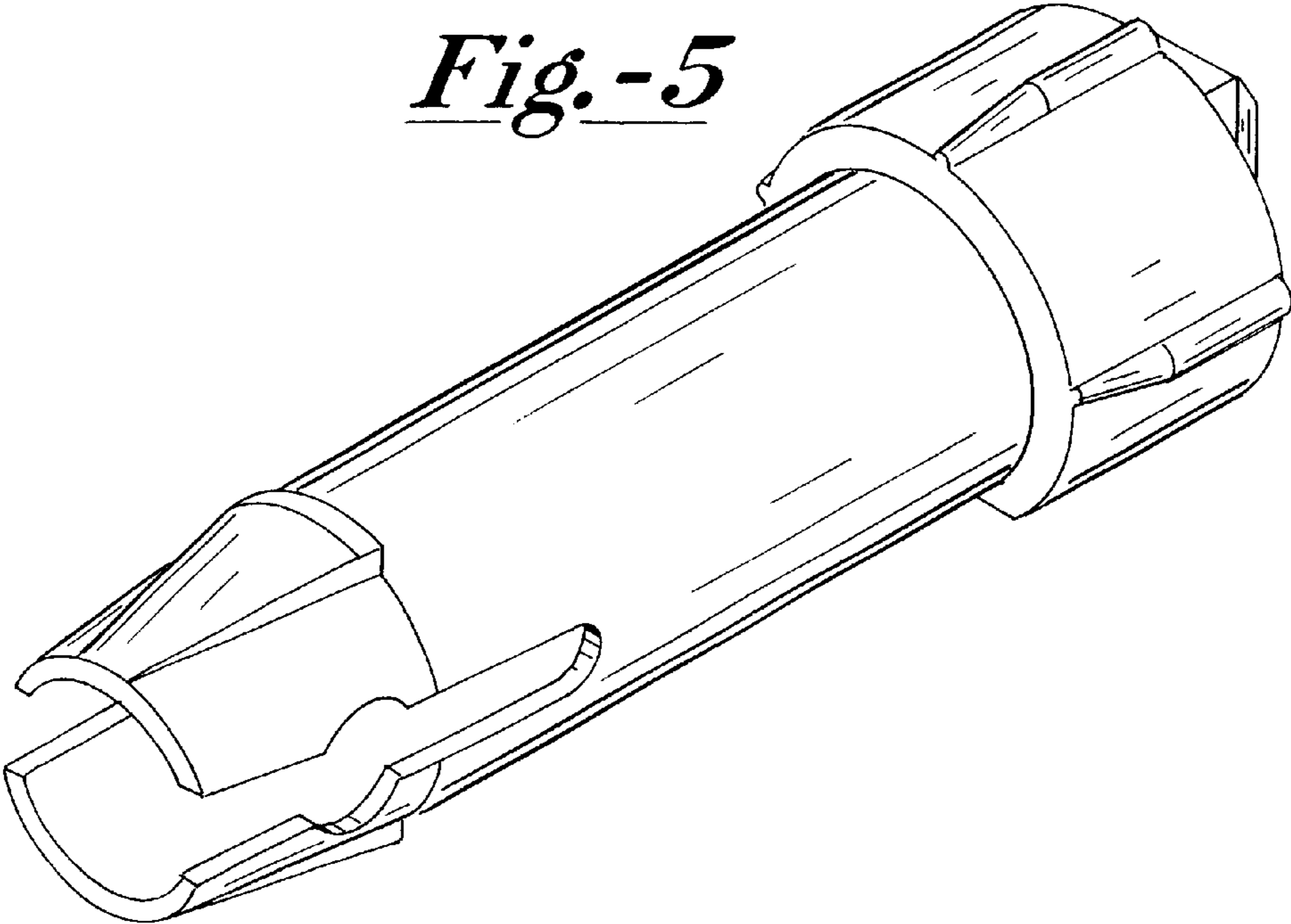
*Fig.-3*



*Fig.-4*



*Fig.-5*



*Fig.-6*

