

US00D507140S

(12) **United States Design Patent**
Gilbert

(10) **Patent No.:** **US D507,140 S**

(45) **Date of Patent:** **** Jul. 12, 2005**

(54) **ACCESSORY POST**

(75) **Inventor:** **Christopher Jon Gilbert**, Moreland Hills, OH (US)

(73) **Assignee:** **Moen Incorporated**, North Olmsted, OH (US)

(**) **Term:** **14 Years**

(21) **Appl. No.:** **29/198,221**

(22) **Filed:** **Jan. 27, 2004**

(51) **LOC (8) Cl.** **23-02**

(52) **U.S. Cl.** **D6/524**

(58) **Field of Search** D6/546-550, 518-519, D6/522-524; D8/300, 303, 315-321, 354, 363, 373, 380; 108/28-29; 211/13.1, 16, 60.1, 86.01, 87.01, 88.01, 88.04, 100, 105.1-105.2, 123, 126.1, 133.6, 134, 181.1, 182; 248/175, 176.1, 200, 251, 302, 309.1; 16/110.1, 412, 415; 242/570, 590, 595-598; 206/389, 557

(56) **References Cited**

U.S. PATENT DOCUMENTS

D328,215 S	7/1992	McKeone	
D439,087 S	3/2001	Fuchs	
D449,949 S	11/2001	Hsieh	
D452,400 S	12/2001	Chen	
D466,349 S	* 12/2002	Tai D6/550
D466,737 S	* 12/2002	Tai D6/524
D469,644 S	2/2003	Yen	
D473,741 S	4/2003	Gilbert	
D477,482 S	7/2003	Green	

D477,486 S	*	7/2003	Green	D6/550
D477,739 S		7/2003	Gilbert		
D483,585 S	*	12/2003	Chen	D6/524
D493,054 S	*	7/2004	Roberts et al.	D6/524
D493,645 S	*	8/2004	Ayers et al.	D6/524
D495,178 S	*	8/2004	Fahy et al.	D6/524
D497,751 S	*	11/2004	Roberts et al.	D6/524

* cited by examiner

Primary Examiner—Brian N Vinson

(74) *Attorney, Agent, or Firm*—Calfee, Halter & Griswold, LLP

(57) **CLAIM**

The ornamental design for an accessory post, as shown and described.

DESCRIPTION

FIG. 1 is a perspective view of an accessory post of the new design;
FIG. 2 is a right side elevational view of the accessory post of FIG. 1;
FIG. 3 is a top plan view of the accessory post of FIG. 1;
FIG. 4 is a front elevational view of the accessory post of FIG. 1;
FIG. 5 is a left side elevational view of the accessory post of FIG. 1;
FIG. 6 is a bottom plan view of the accessory post of FIG. 1; and,
FIG. 7 is a rear elevational view of the accessory post of FIG. 1.

The broken-line disclosure in the views is for illustrative purposes only, and forms no part of the claimed design.

1 Claim, 2 Drawing Sheets

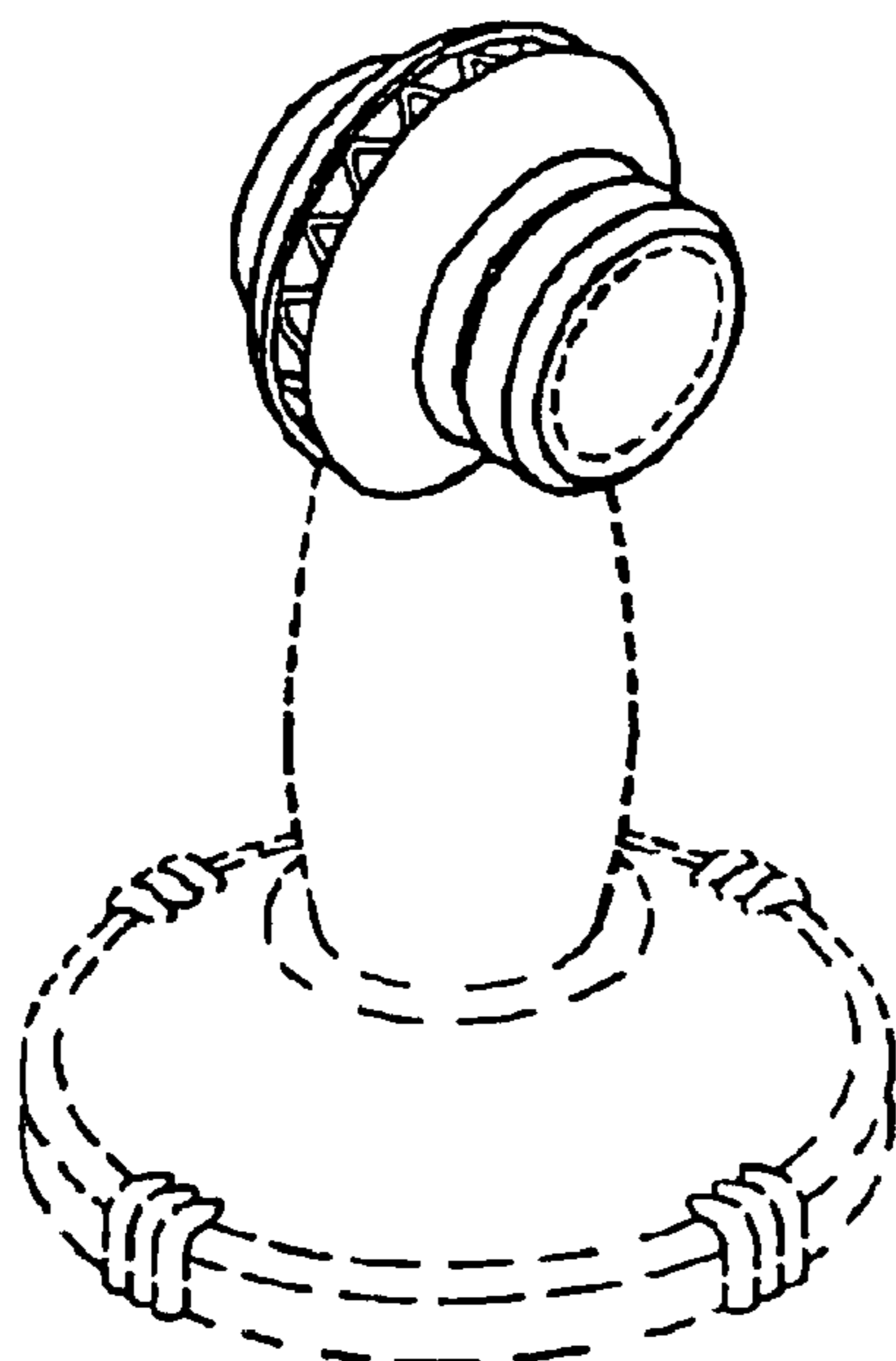


FIG. 1

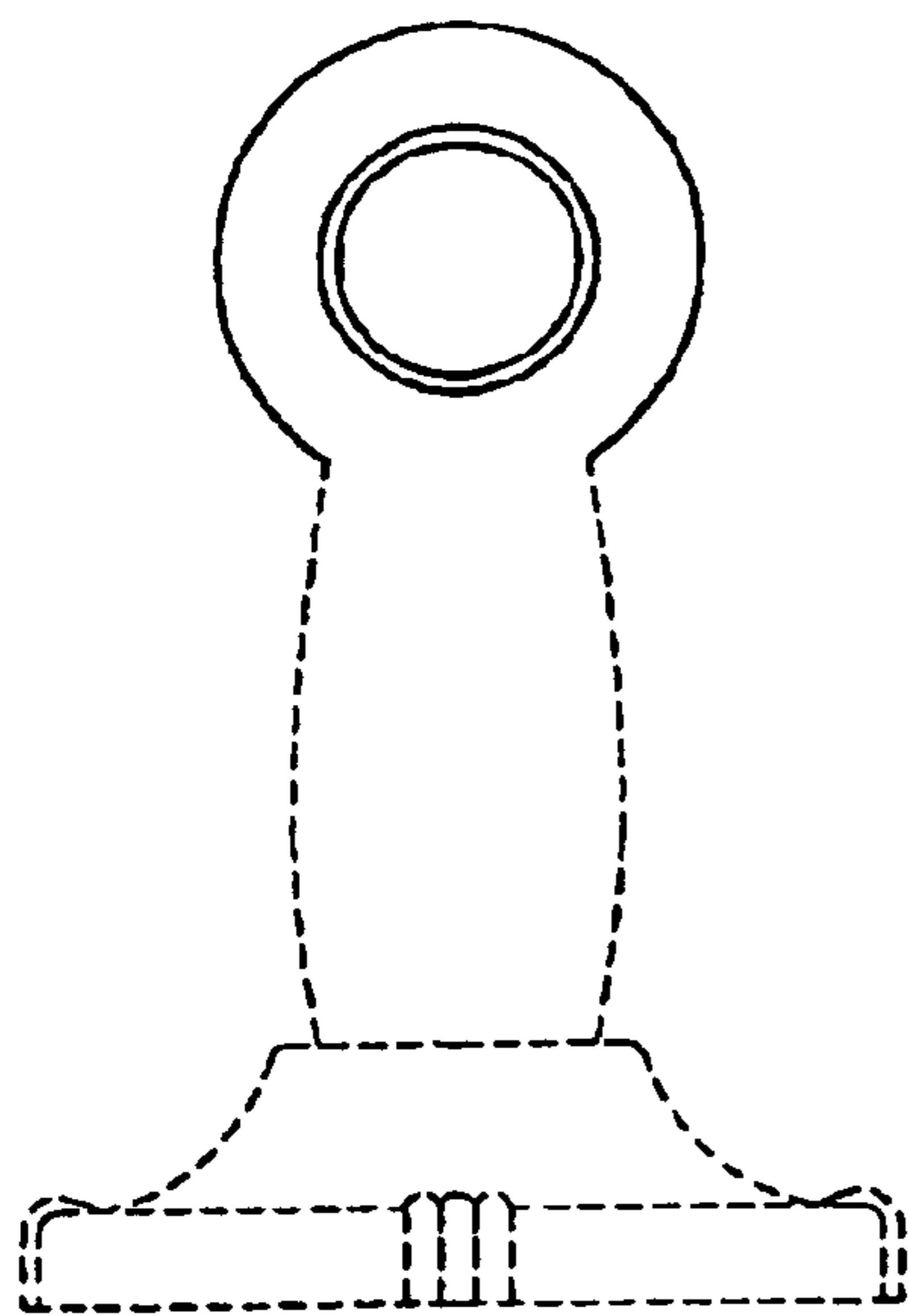
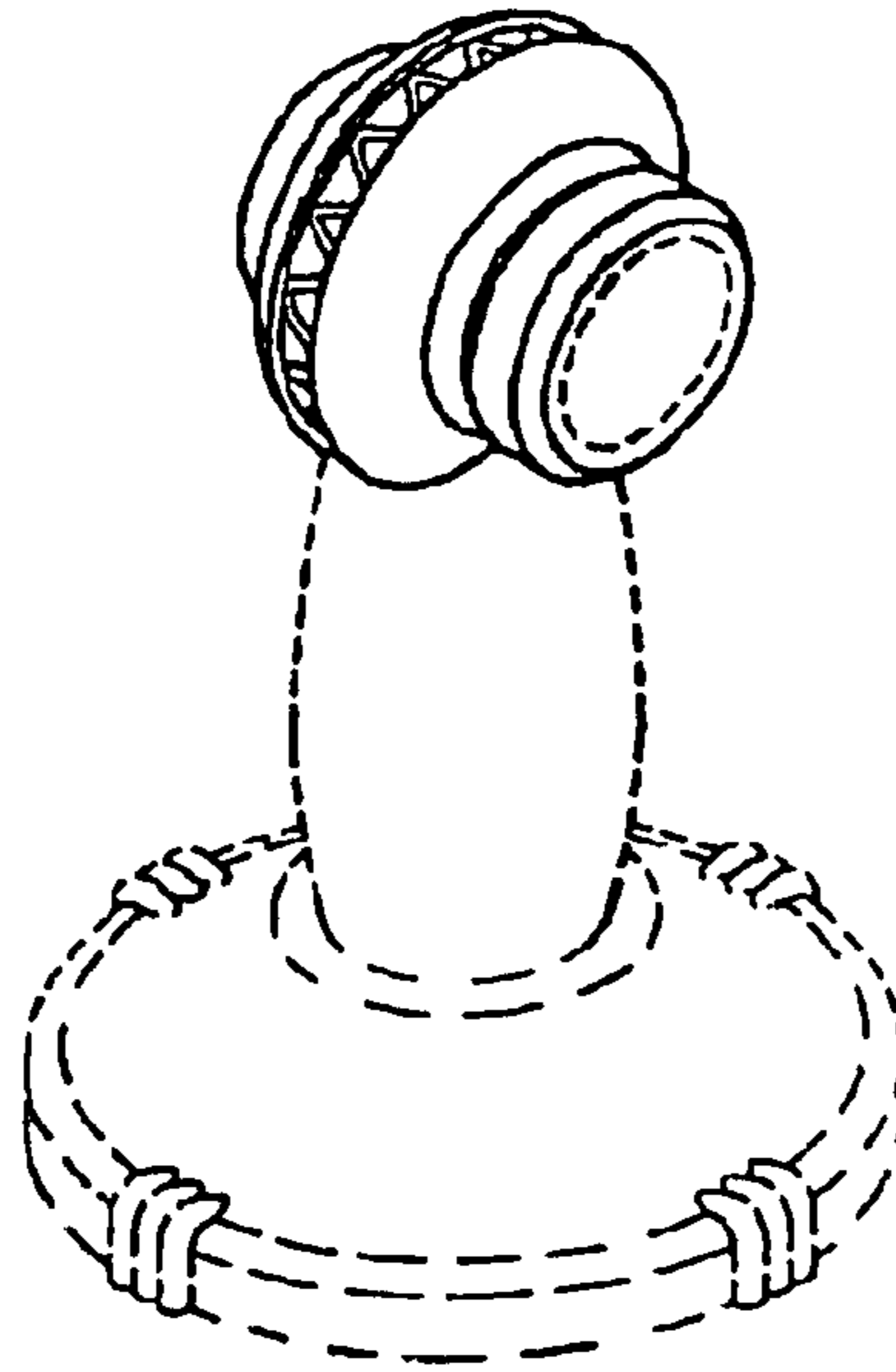


FIG. 2

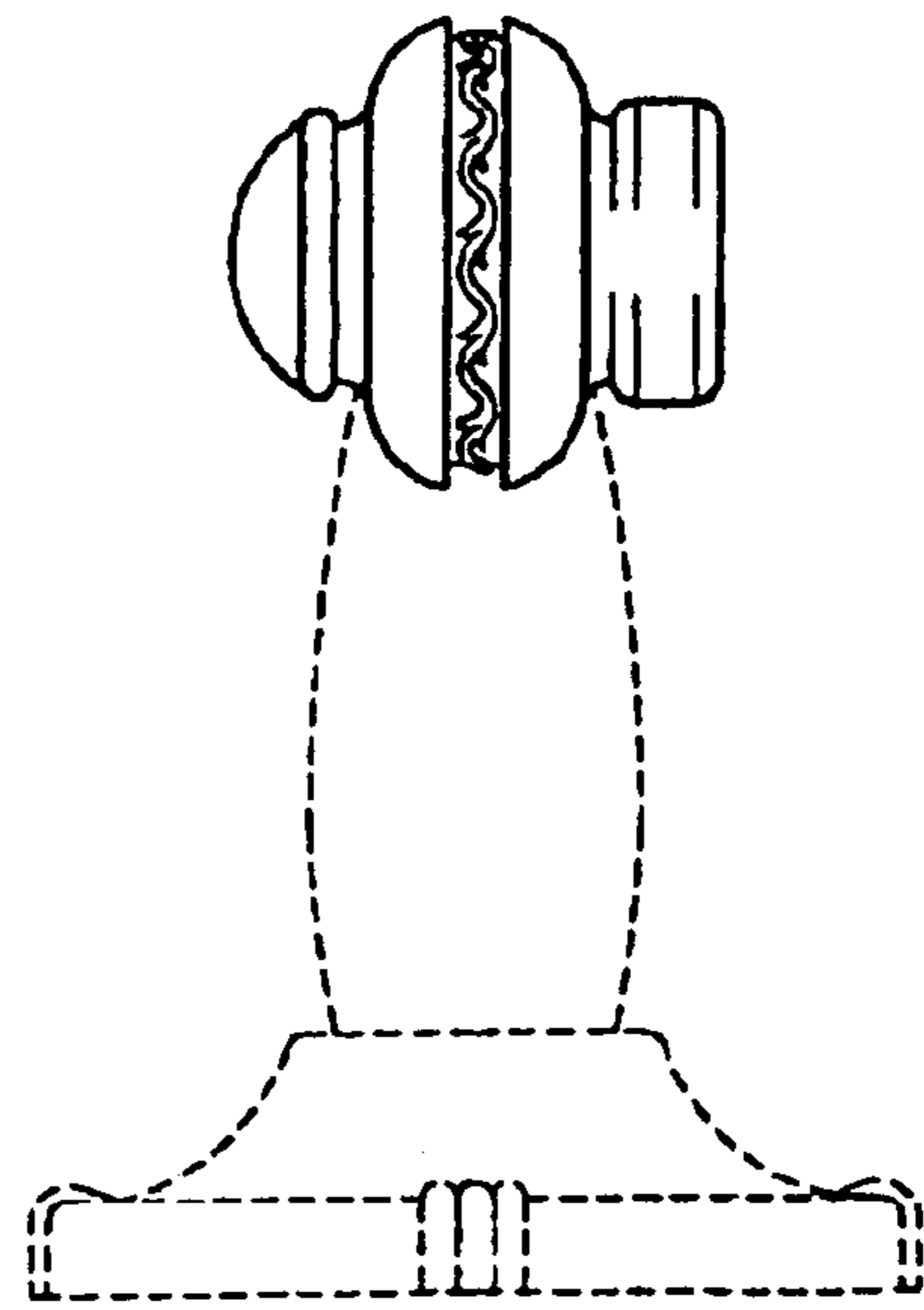


FIG. 3

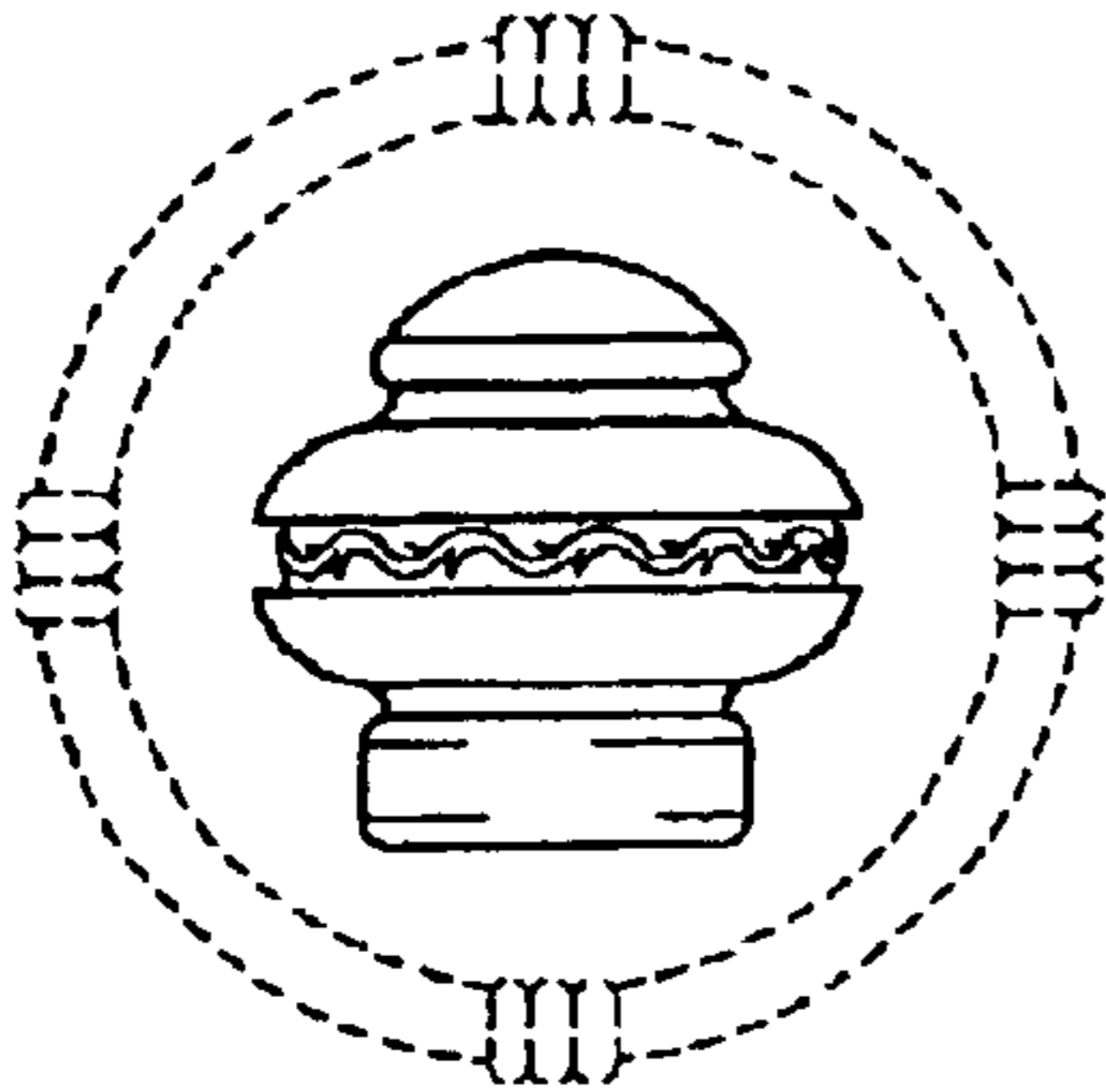


FIG. 4

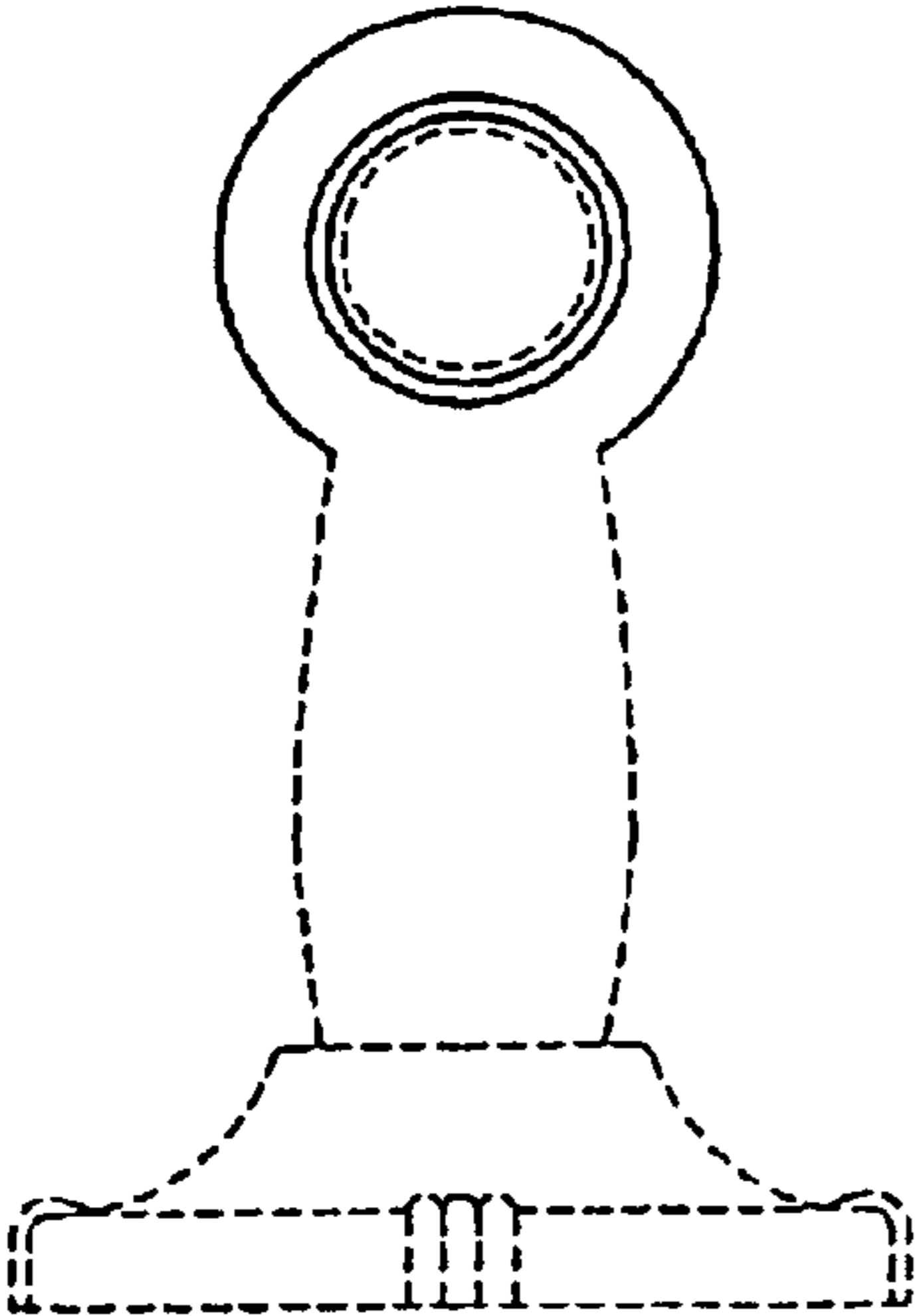


FIG. 5

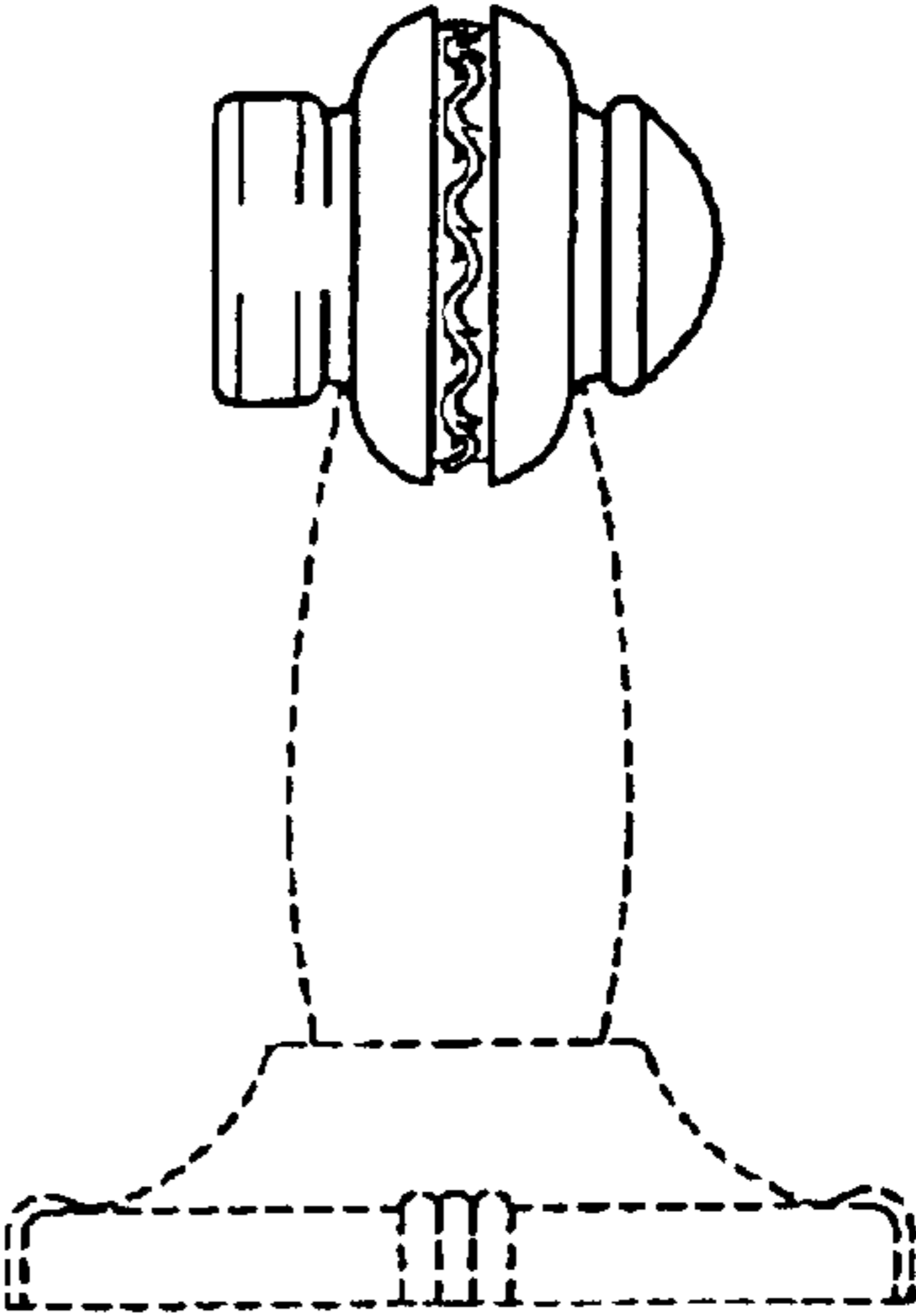


FIG. 6

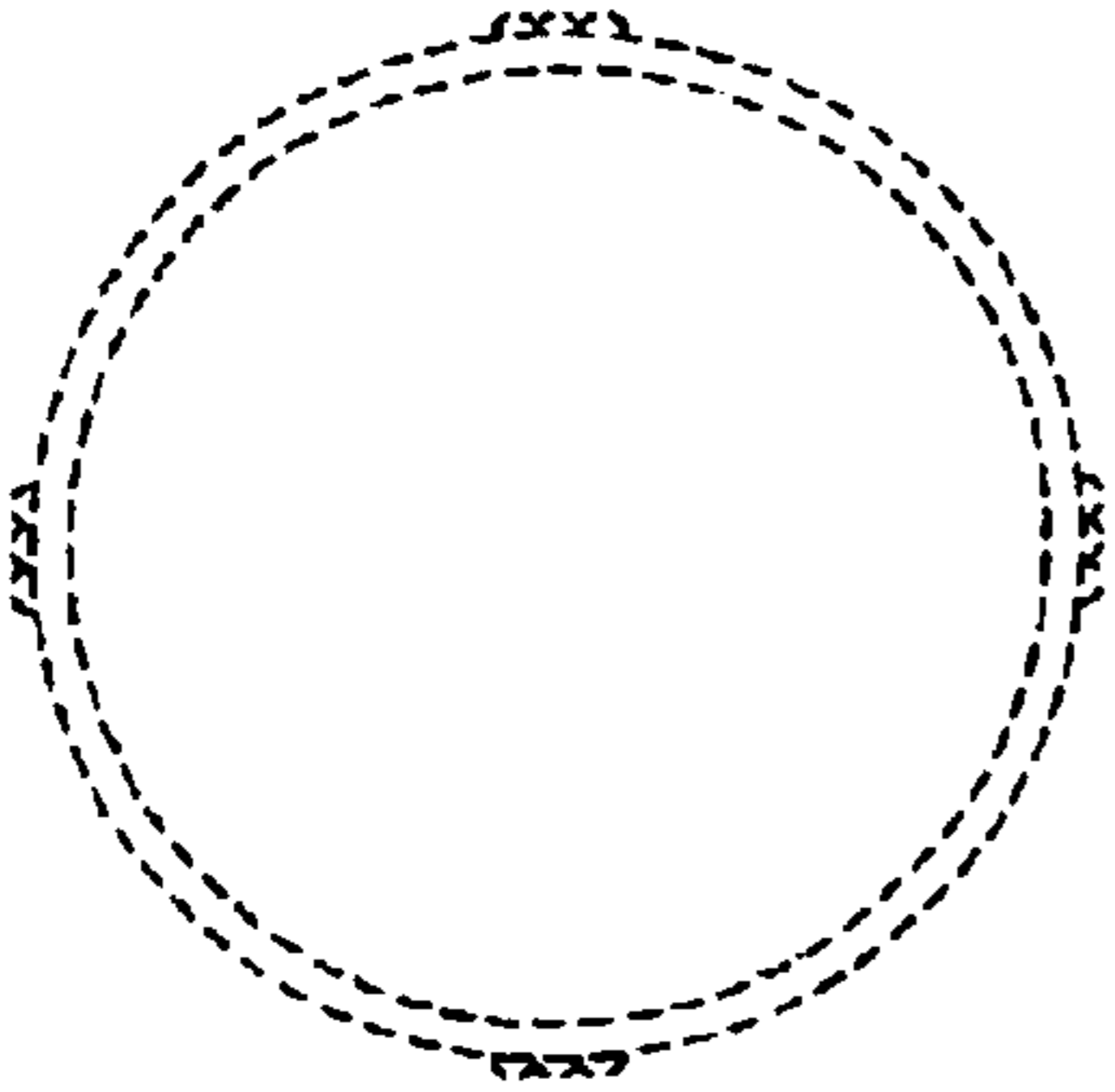


FIG. 7