

US00D507137S

(12) **United States Design Patent**
Klein et al.

(10) **Patent No.:** **US D507,137 S**
(45) **Date of Patent:** **** Jul. 12, 2005**

(54) **HANGING SHOE RACK**

D393,970 S * 5/1998 Lee D6/514
6,138,841 A * 10/2000 Klein et al. 211/85.7
D493,289 S * 7/2004 Klein et al. D6/320

(75) Inventors: **Richard B. Klein**, Overland Park, KS
(US); **John W. Scott**, Lenexa, KS (US);
Chris Serslev, Leawood, KS (US)

* cited by examiner

(73) Assignee: **Lynk, Inc.**, Lenexa, KS (US)

Primary Examiner—Brian N Vinson
(74) *Attorney, Agent, or Firm*—Blackwell Sanders Peper
Martin LLP

(**) Term: **14 Years**

(57) **CLAIM**

(21) Appl. No.: **29/212,589**

The ornamental design for a hanging shoe rack, as shown
and described.

(22) Filed: **Sep. 3, 2004**

(51) **LOC (8) Cl.** **06-08**

(52) **U.S. Cl.** **D6/514**

(58) **Field of Search** D6/512-514, 570,
D6/315, 320; 211/13.1, 34-38, 113, 85.31;
248/309.2

DESCRIPTION

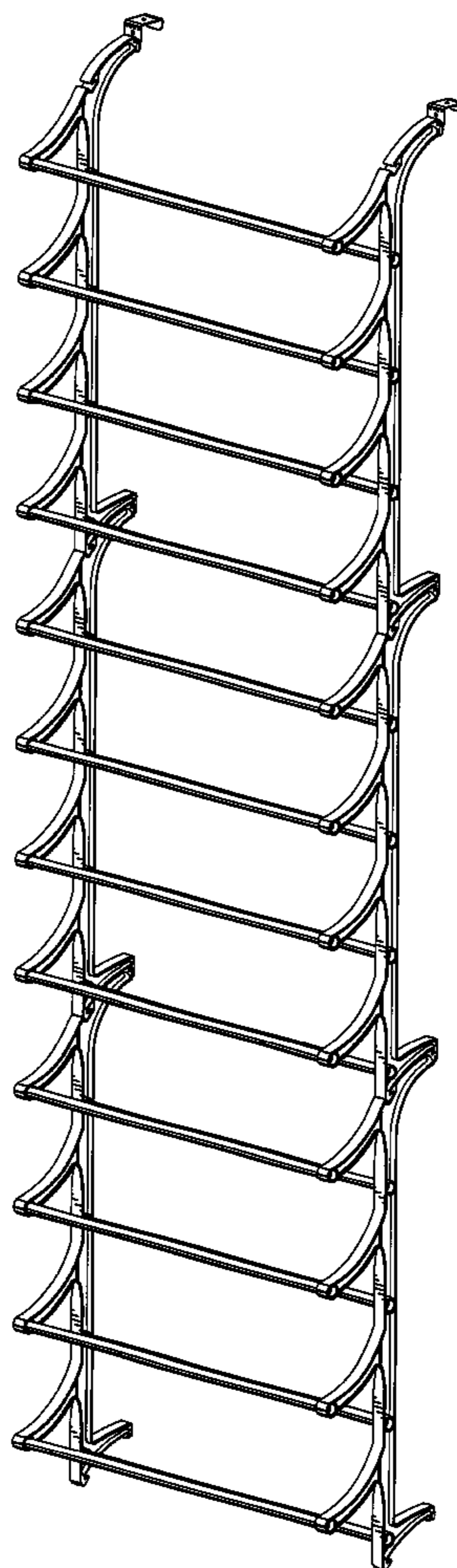
FIG. 1 is a front perspective view of a hanging shoe rack
showing our new design;
FIG. 2 is a rear elevational view thereof;
FIG. 3 is a front elevational view thereof;
FIG. 4 is a top plan view thereof;
FIG. 5 is a bottom plan view thereof; and,
FIG. 6 is a left side elevational view thereof, the right side
appearing as a mirror image.

(56) **References Cited**

U.S. PATENT DOCUMENTS

4,688,681 A * 8/1987 Bergeron 211/36
D382,434 S * 8/1997 Klein et al. D6/570
5,695,073 A * 12/1997 Klein et al. 211/35

1 Claim, 4 Drawing Sheets



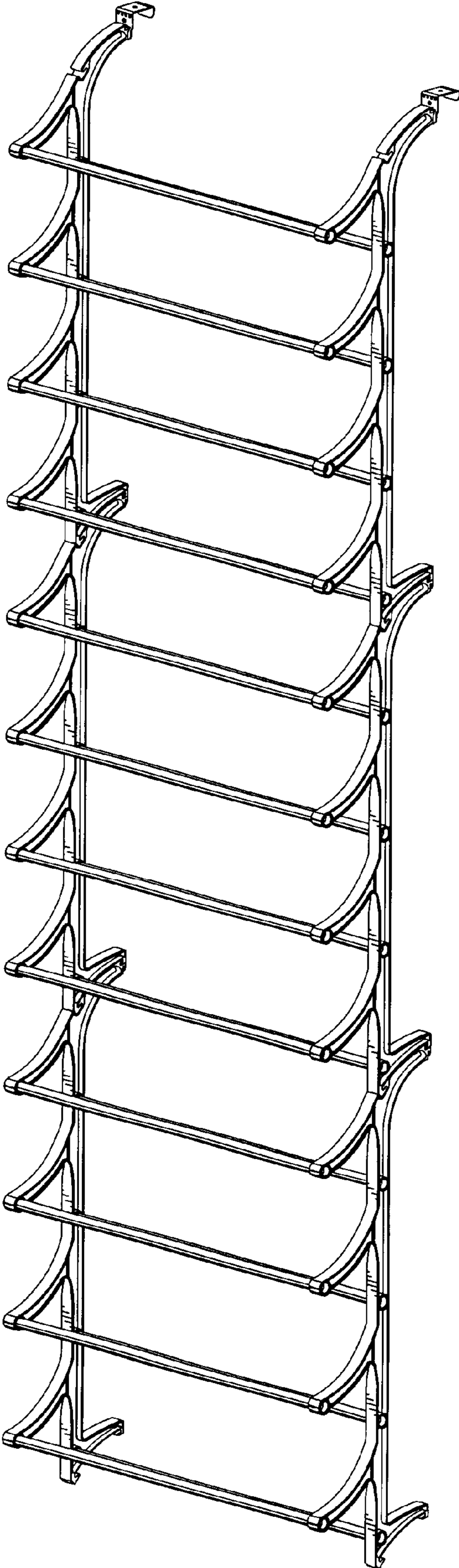


FIG. 1.

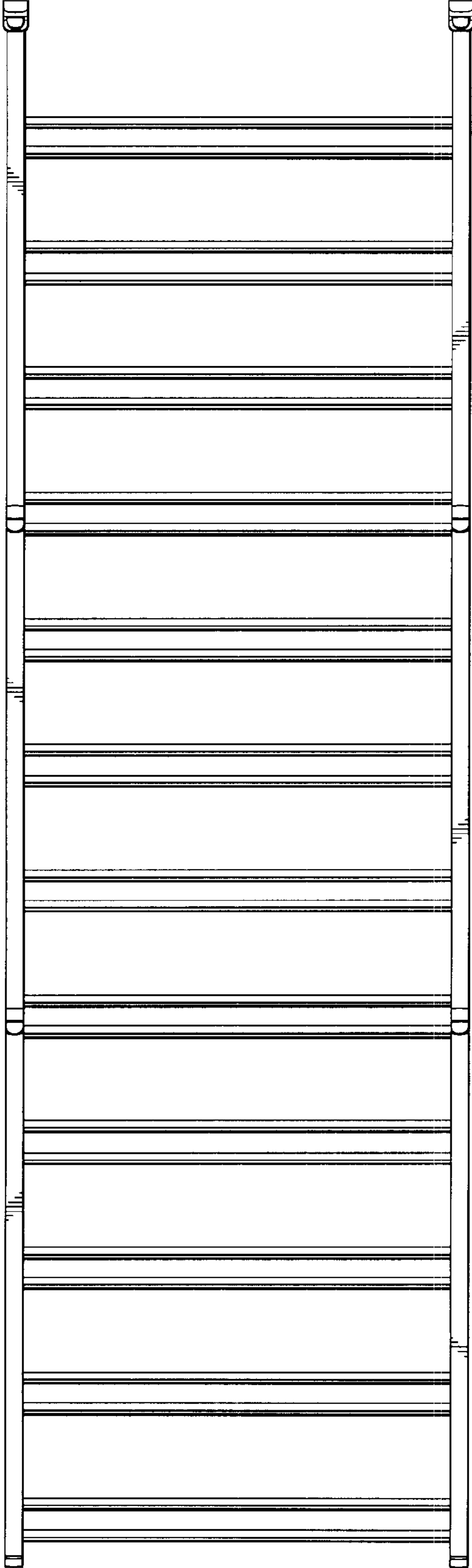
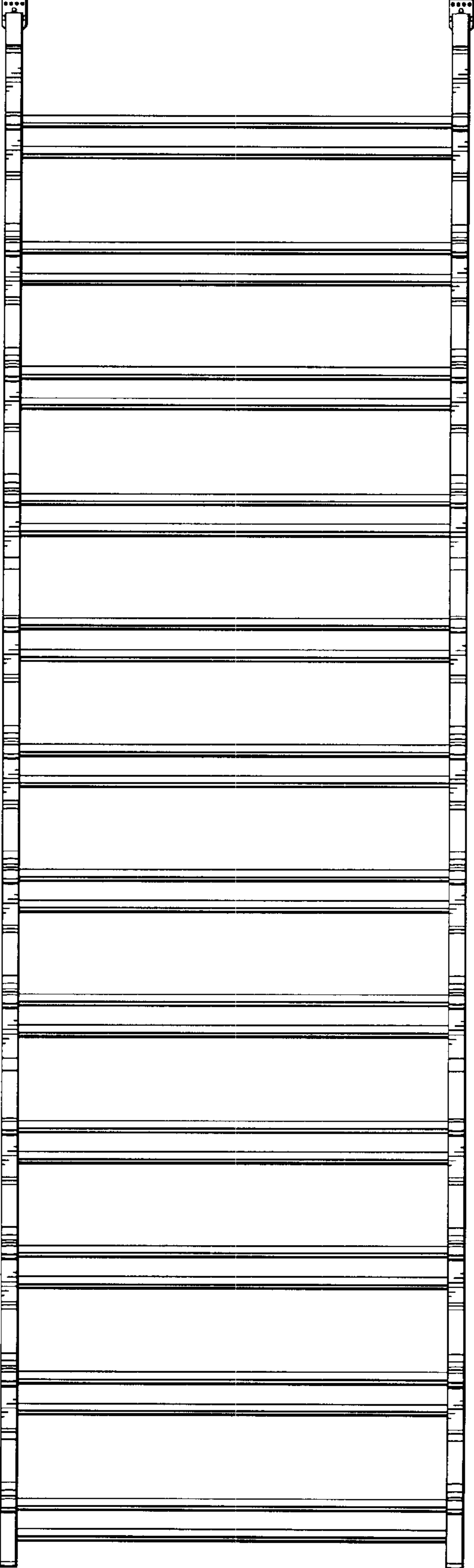


FIG. 2.

FIG. 3.



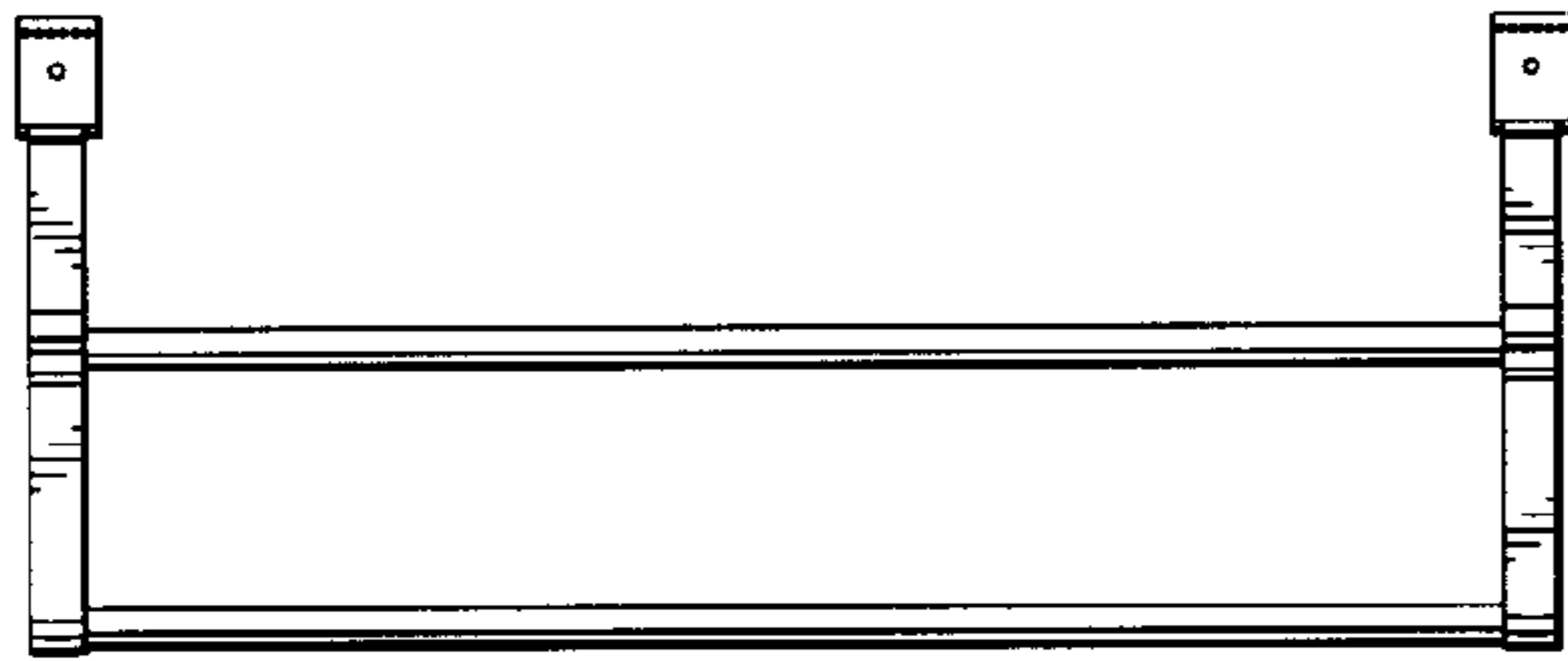


FIG. 4.

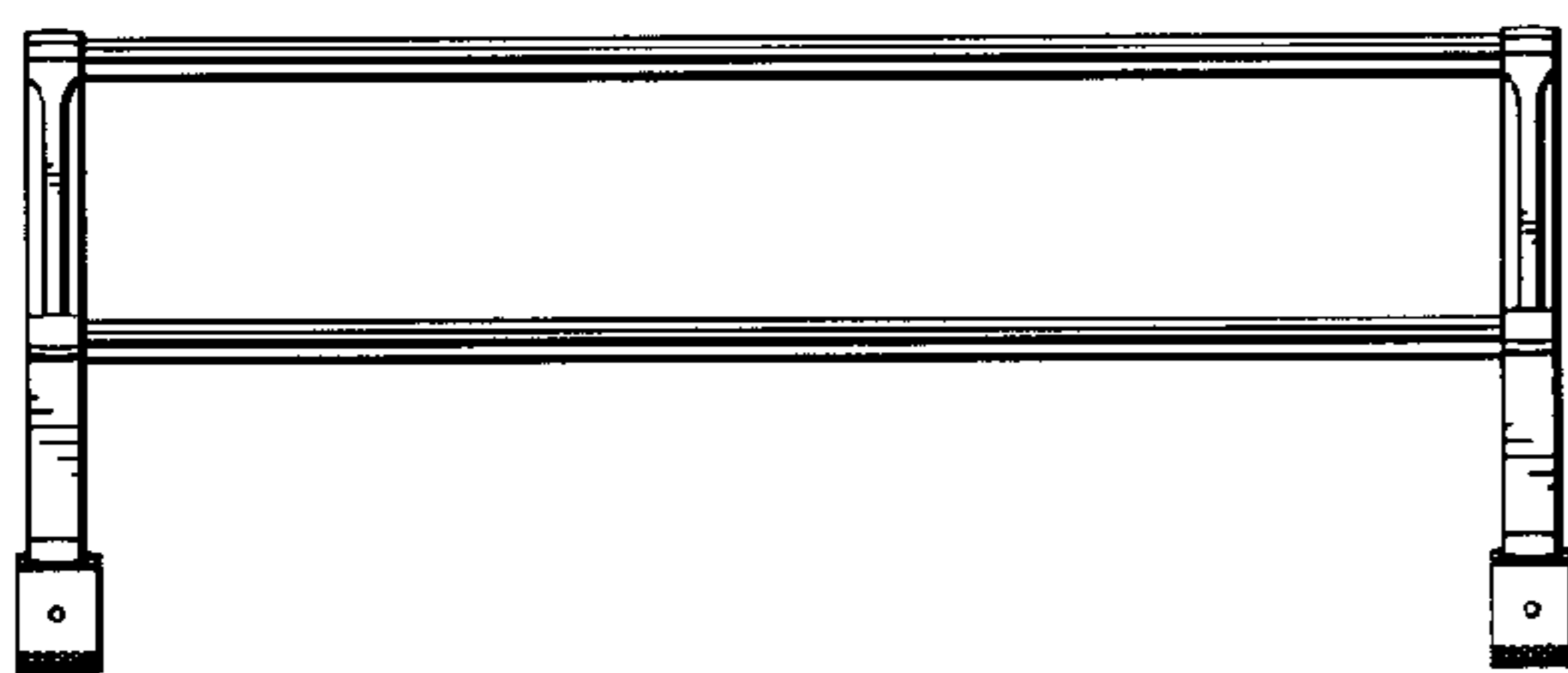


FIG. 5.

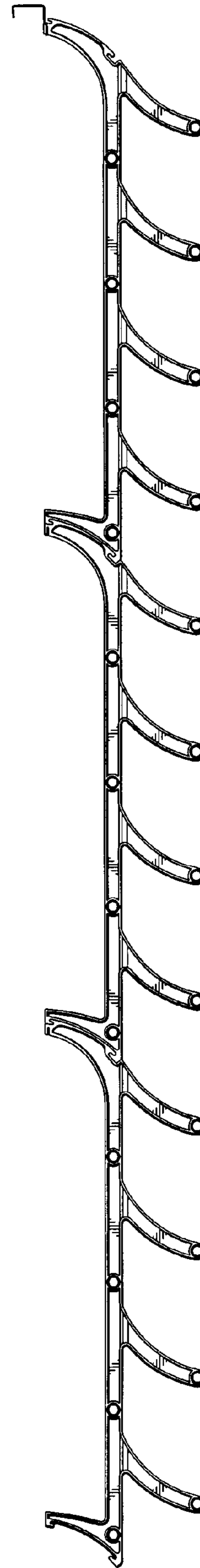


FIG. 6.