

US00D507135S

(12) **United States Design Patent**
Deichmann

(10) **Patent No.: US D507,135 S**

(45) **Date of Patent: ** *Jul. 12, 2005**

(54) **TRAY FOR A PLAYING TABLE**

(75) **Inventor: John Deichmann, Kolding (DK)**

(73) **Assignee: Interlego AG (CH)**

(*) **Notice:** This patent is subject to a terminal disclaimer.

(**) **Term: 14 Years**

(21) **Appl. No.: 29/177,483**

(22) **Filed: Mar. 11, 2003**

(51) **LOC (8) Cl. 06-06**

(52) **U.S. Cl. D6/510; D21/386**

(58) **Field of Search** D6/480-489, 509-511, D6/491, 429-431; 108/153.1, 155, 156, 157.1, 161, 25, 26, 33; D21/386; D7/610

(56) **References Cited**

U.S. PATENT DOCUMENTS

1,470,763 A * 10/1923 Alexander 206/551

D188,462 S * 7/1960 Haye D21/397
D209,847 S * 1/1968 Taylor D7/612
D223,538 S * 5/1972 Manning D6/484
D399,680 S * 10/1998 Mak D6/480

* cited by examiner

Primary Examiner—Janice E. Seeger

(74) *Attorney, Agent, or Firm*—Pitney Hardin LLP

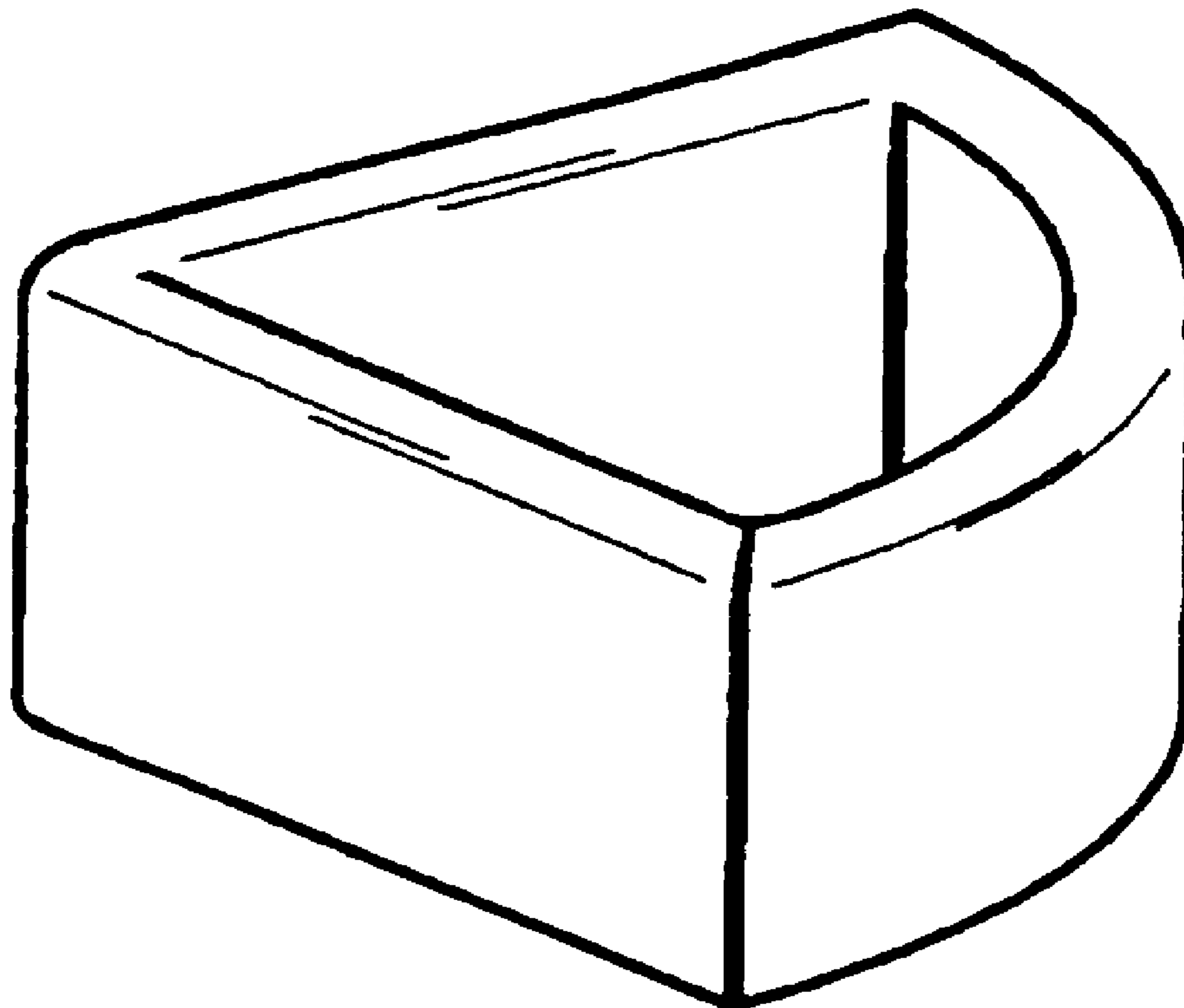
(57) **CLAIM**

The ornamental design for a tray for a playing table, as shown and described.

DESCRIPTION

FIG. 1 is a top perspective view of the container;
FIG. 2 is a bottom perspective view thereof;
FIG. 3 is a front view thereof;
FIG. 4 is a left view thereof;
FIG. 5 is a rear side view thereof;
FIG. 6 is a right side view thereof; and,
FIG. 7 is a top plan view thereof.

1 Claim, 2 Drawing Sheets



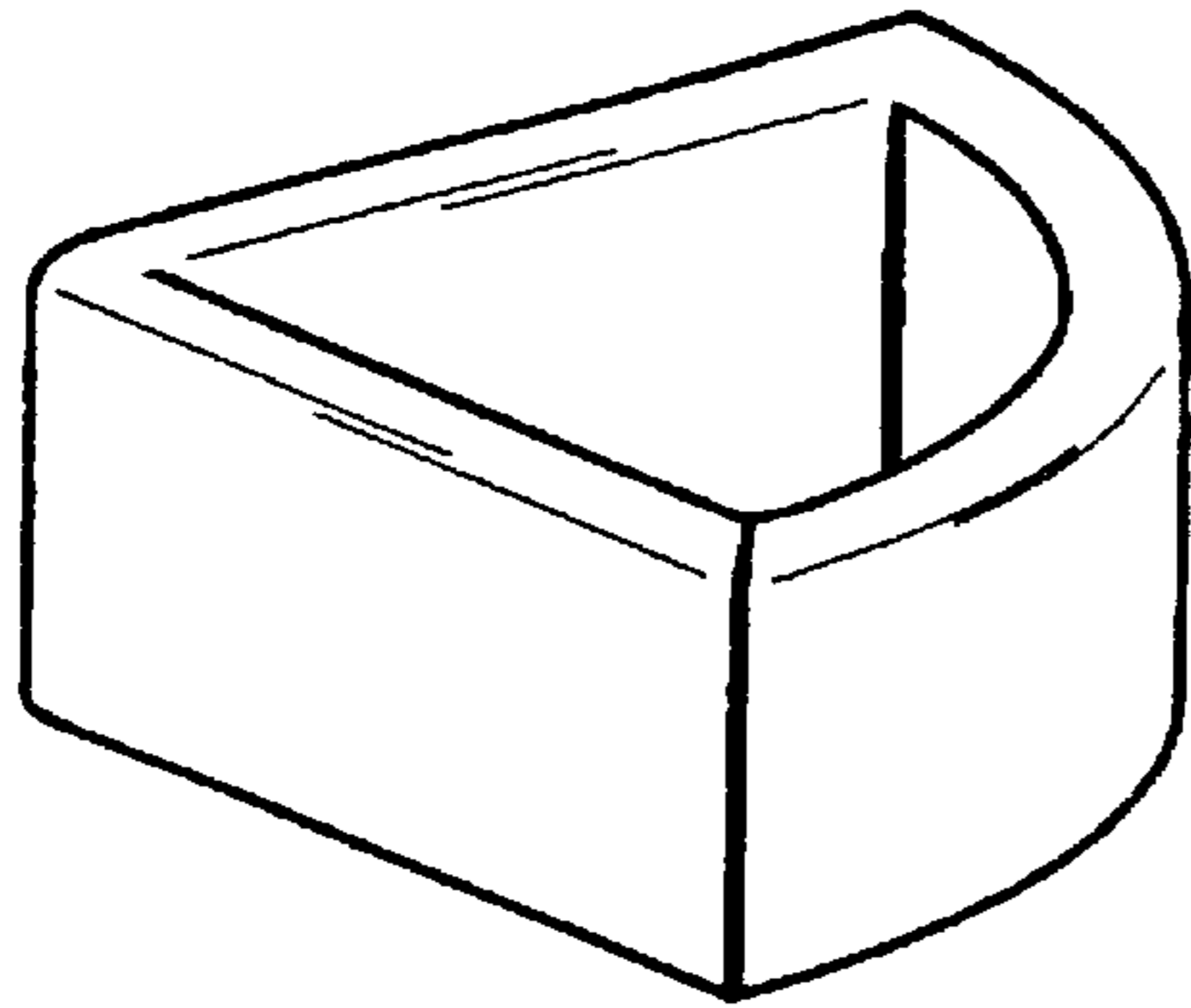


Fig. 1

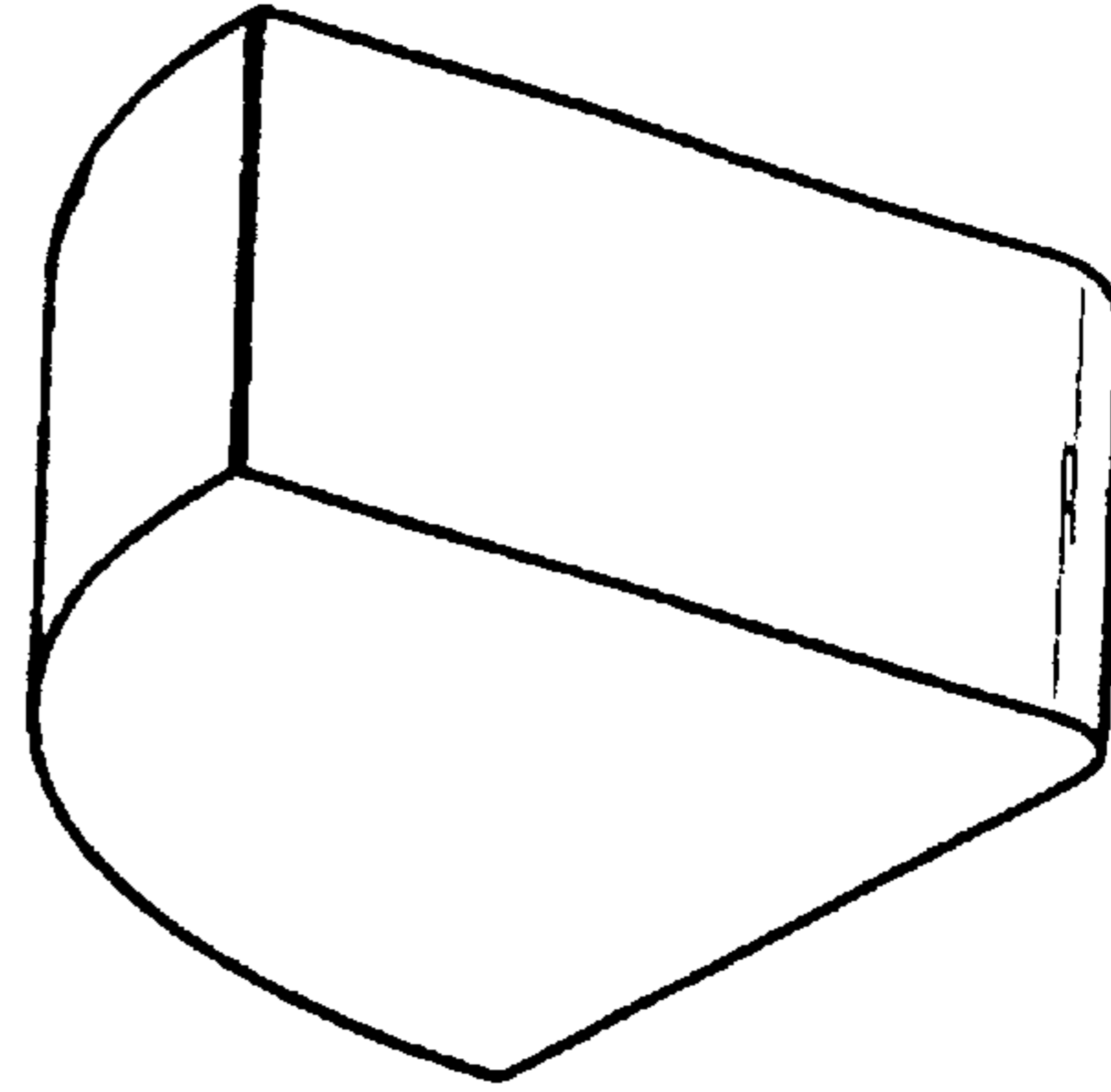


Fig. 2

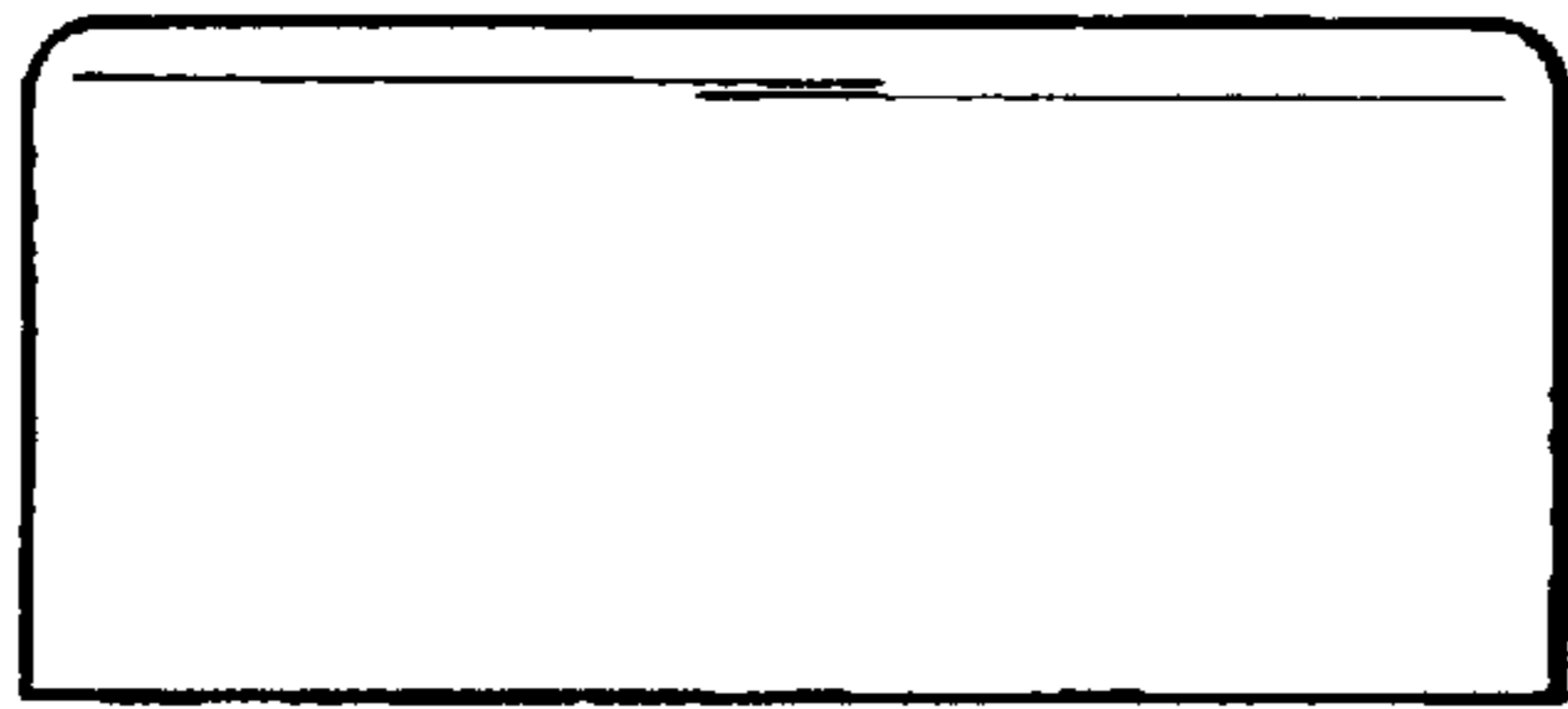


Fig. 3

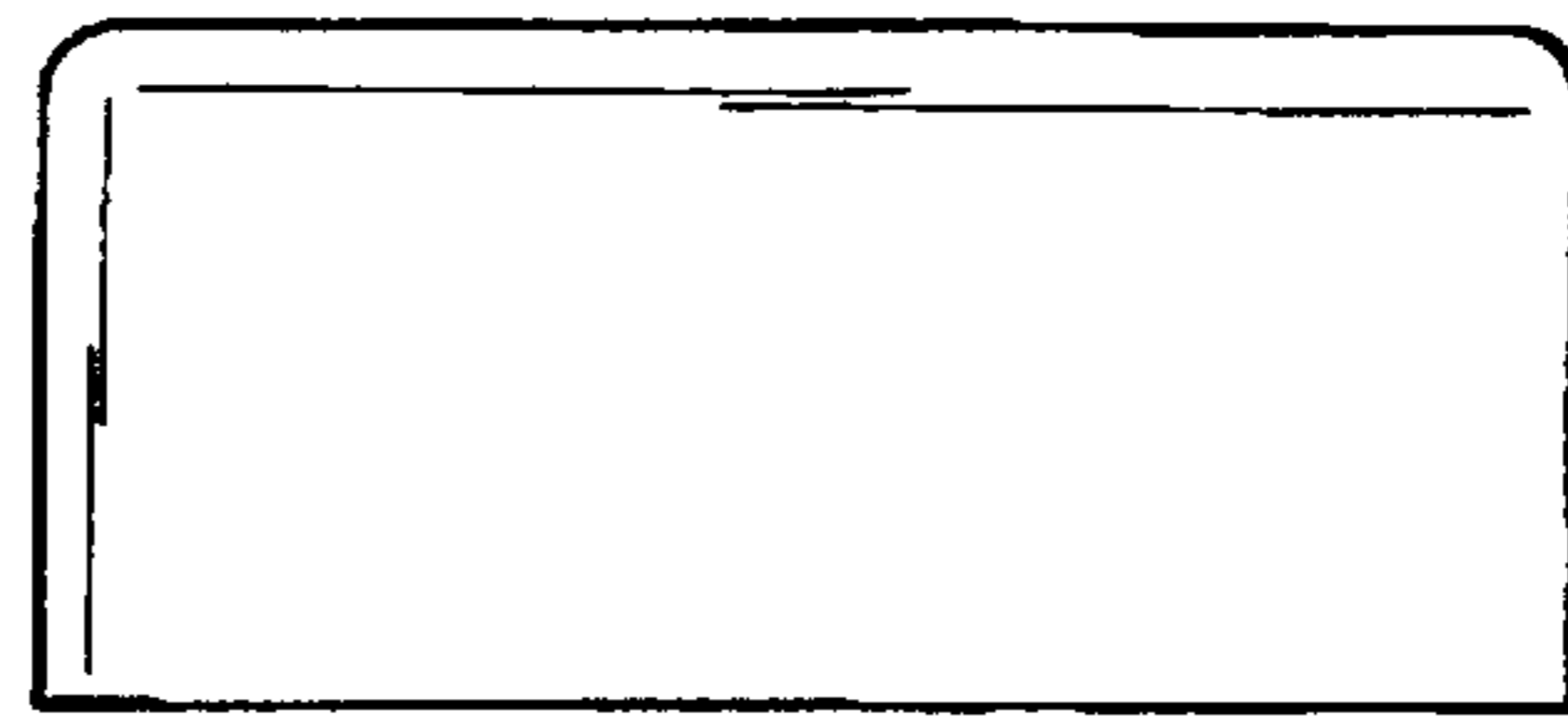


Fig. 4

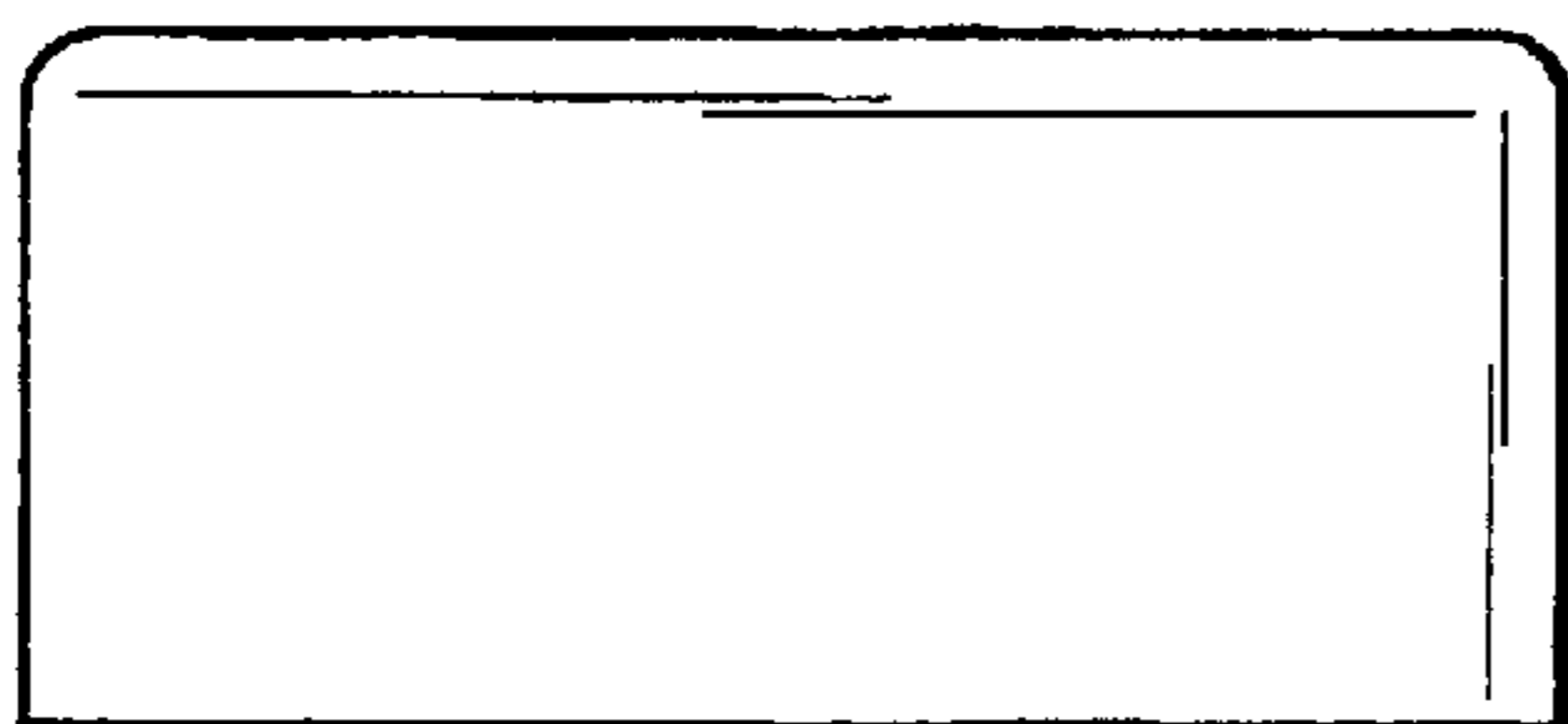


Fig. 5

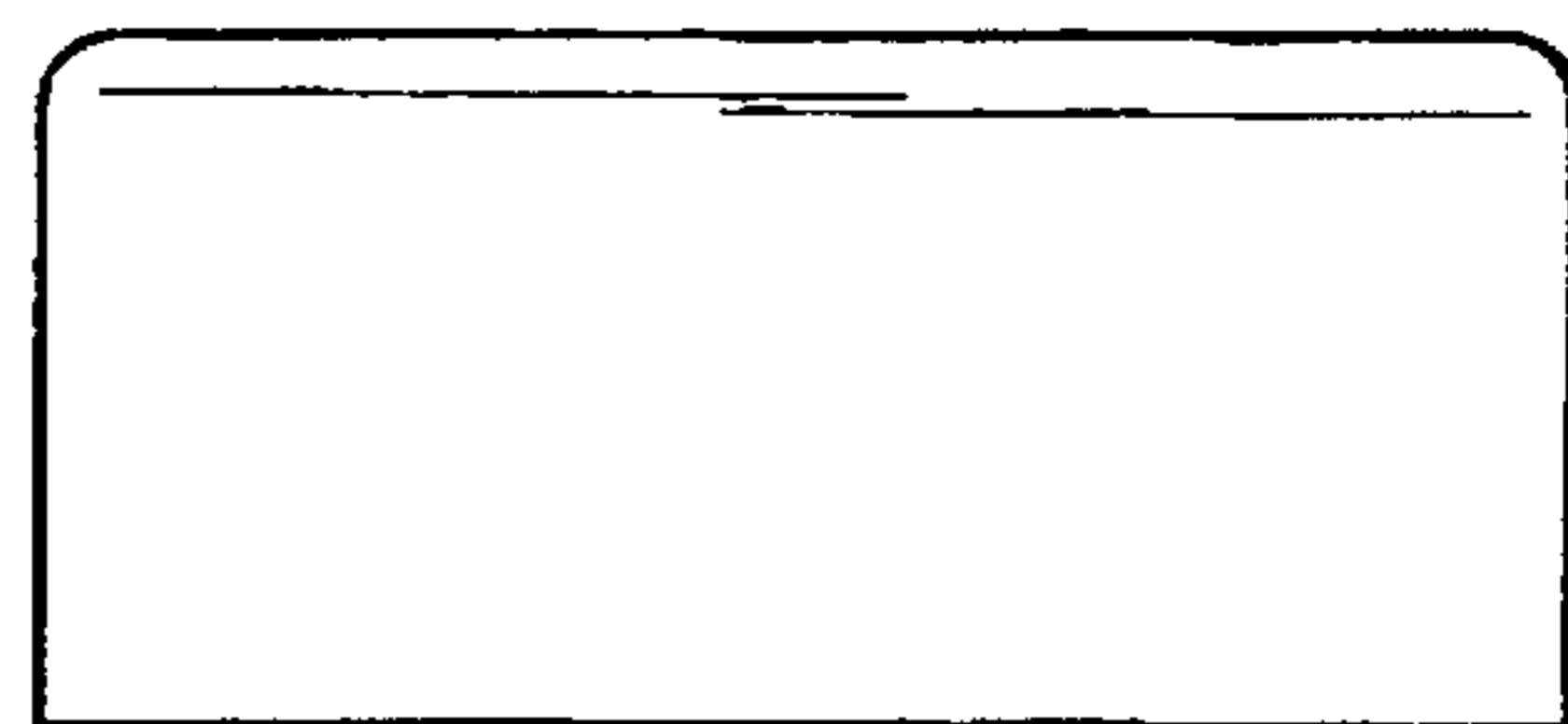


Fig. 6

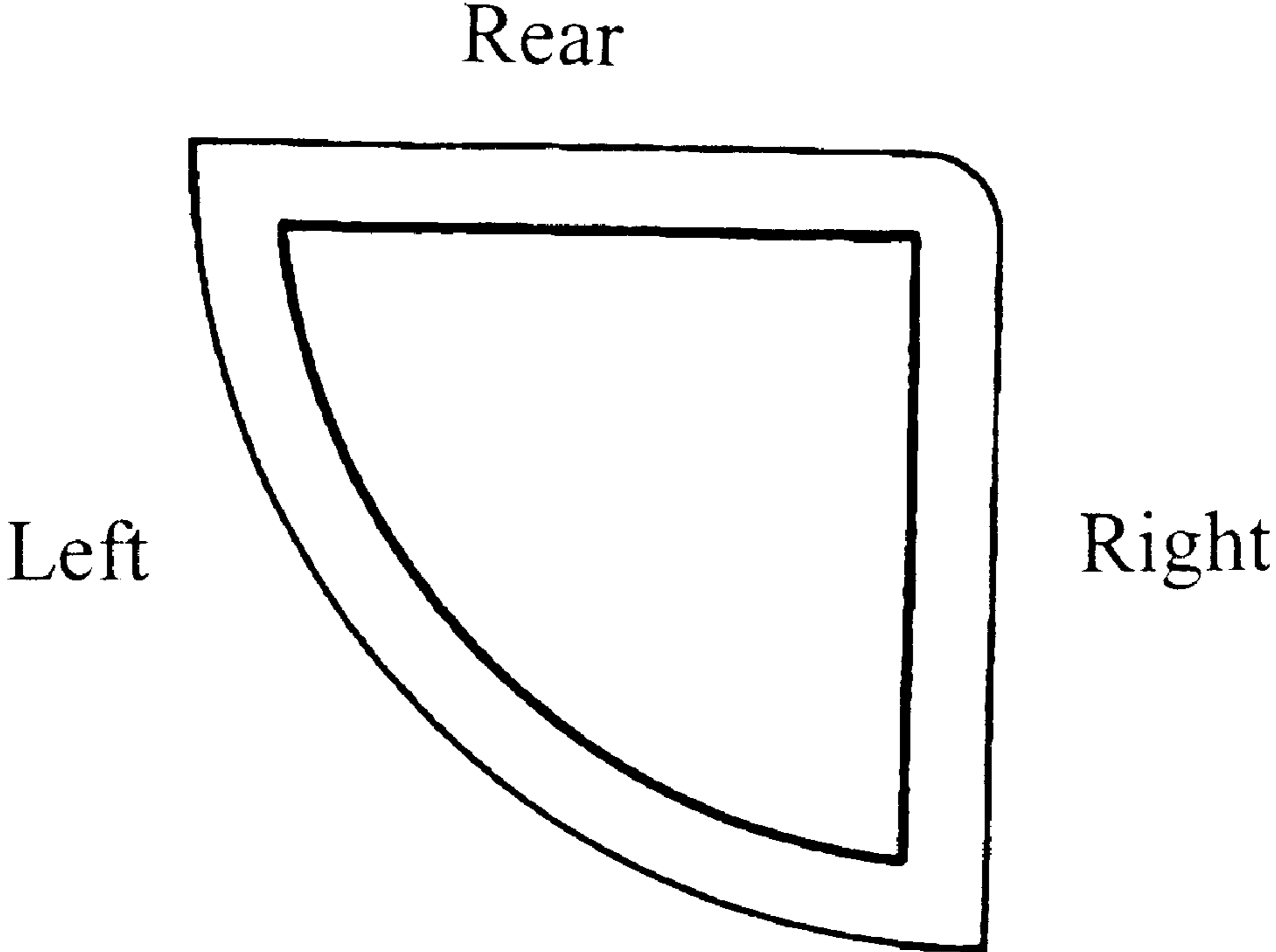


Fig. 7

Front