

US00D507133S

(12) **United States Design Patent**
Koepke et al.

(10) **Patent No.:** **US D507,133 S**
(45) **Date of Patent:** **** Jul. 12, 2005**

(54) **ARMLESS CHAIR**

(75) Inventors: **Marcus C. Koepke**, Indianapolis, IN (US); **Brian R. Trego**, Muscatine, IA (US); **Jay R. Machael**, Muscatine, IA (US)

(73) Assignee: **HNI Technologies Inc.**, Muscatine, IA (US)

(**) Term: **14 Years**

(21) Appl. No.: **29/196,504**

(22) Filed: **Dec. 30, 2003**

(51) **LOC (8) Cl.** **06-06**

(52) **U.S. Cl.** **D6/502; D6/366**

(58) **Field of Search** D6/334, 364, 365, D6/366, 367, 374, 380, 500-502; 297/300.1, 300.2, 452.29

(56) **References Cited**

U.S. PATENT DOCUMENTS

- D414,349 S * 9/1999 Jenkins et al. D6/366
- D421,540 S * 3/2000 Jenkins et al. D6/502
- D439,451 S * 3/2001 Simons et al. D6/502
- D442,400 S * 5/2001 Simons et al. D6/500
- D442,791 S * 5/2001 Simons et al. D6/366

- D445,580 S * 7/2001 Pennington et al. D6/366
- 6,367,877 B1 * 4/2002 Knoblock et al. 297/301.1
- D493,626 S * 8/2004 James D6/366
- 2003/0015902 A1 * 1/2003 Knoblock et al. 297/300.1
- 2004/0130195 A1 * 7/2004 DeKraker et al. 297/300.1

* cited by examiner

Primary Examiner—Mimosa De

(74) *Attorney, Agent, or Firm*—Jones Day; Ronald D. Sandler

(57) **CLAIM**

The ornamental design for an armless chair, as shown and described.

DESCRIPTION

FIG. 1 is an isometric view of the right side of the armless chair showing the new design;
 FIG. 2 is a front view thereof;
 FIG. 3 is a slightly reduced rear view thereof;
 FIG. 4 is a slightly reduced right side view thereof;
 FIG. 5 is a slightly reduced left side view thereof; and
 FIG. 6 is a slightly reduced bottom plan view of the armless chair thereof; and,
 FIG. 7 is a slightly reduced top plan view.
 The structure shown by dotted lines also forms no part of the invention.

1 Claim, 4 Drawing Sheets

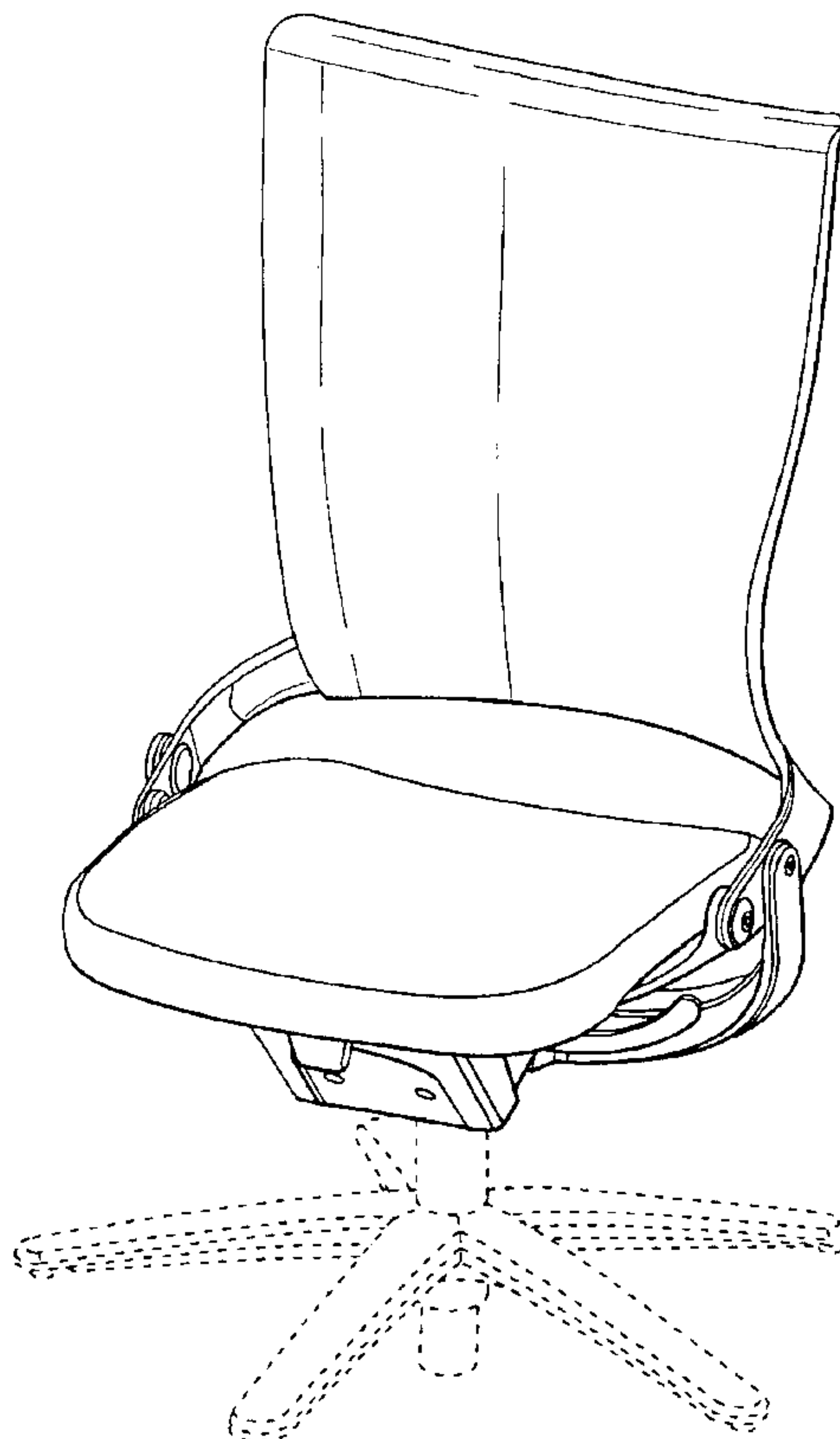


Fig. 1

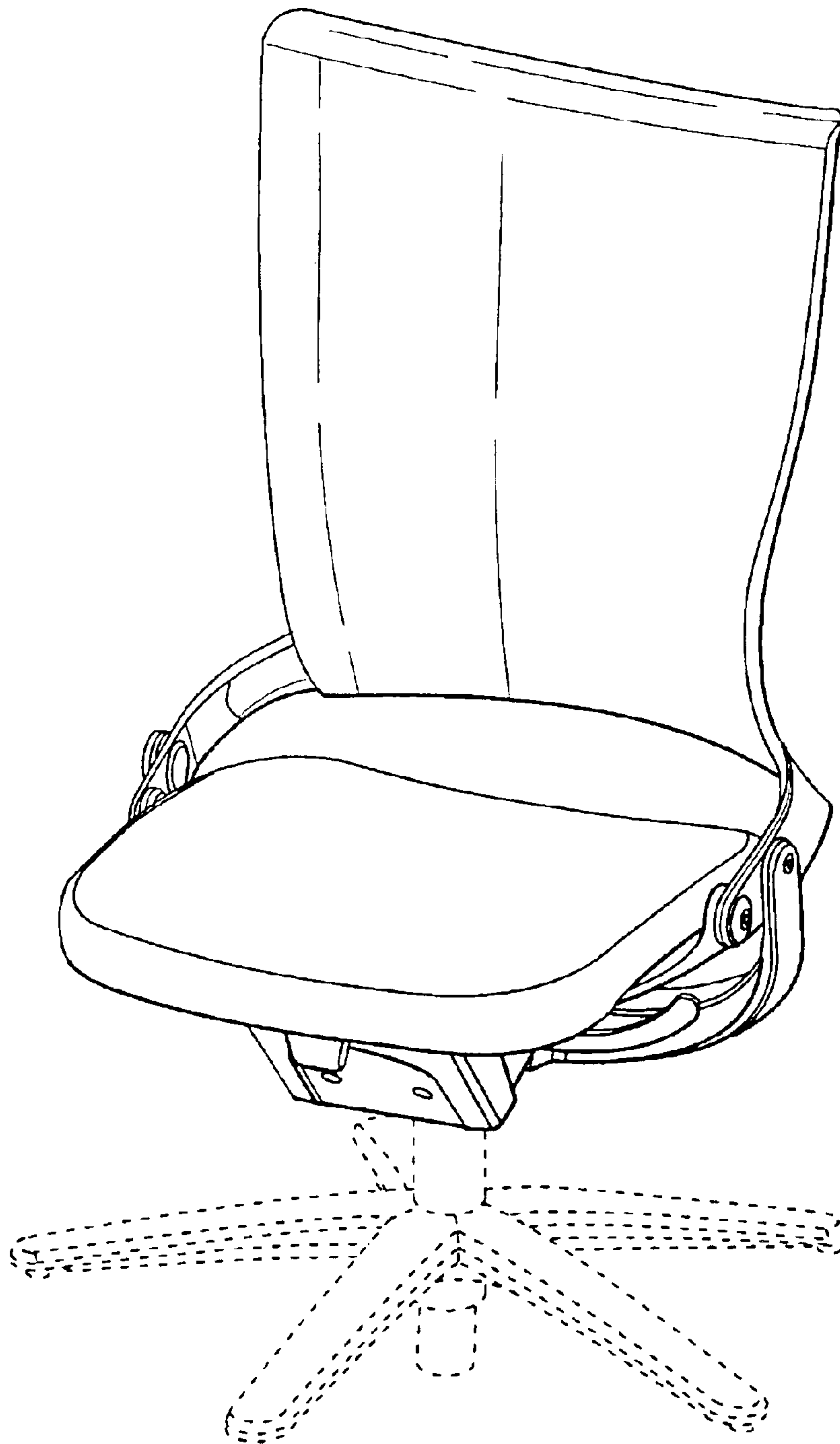


Fig. 2

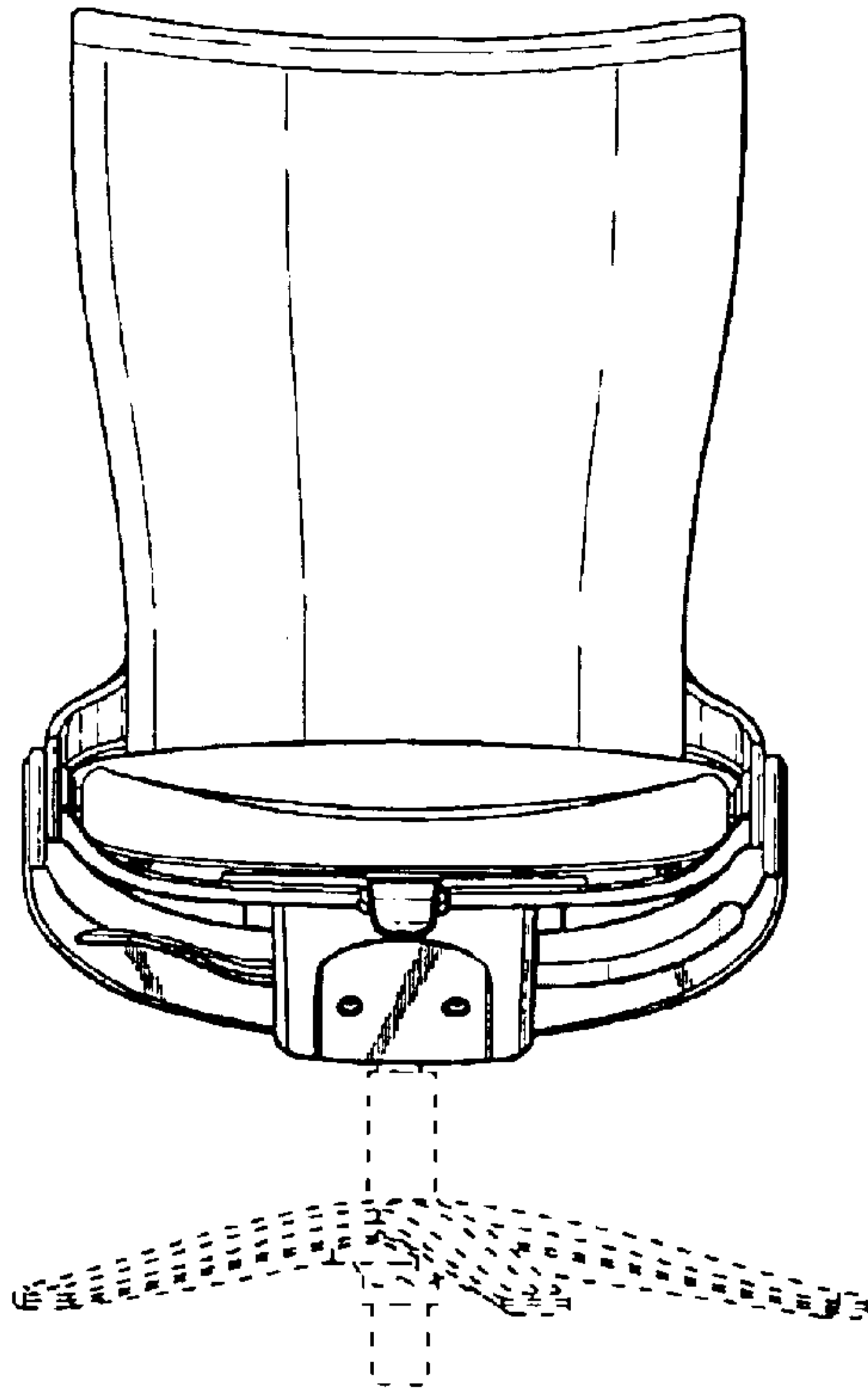


Fig. 3

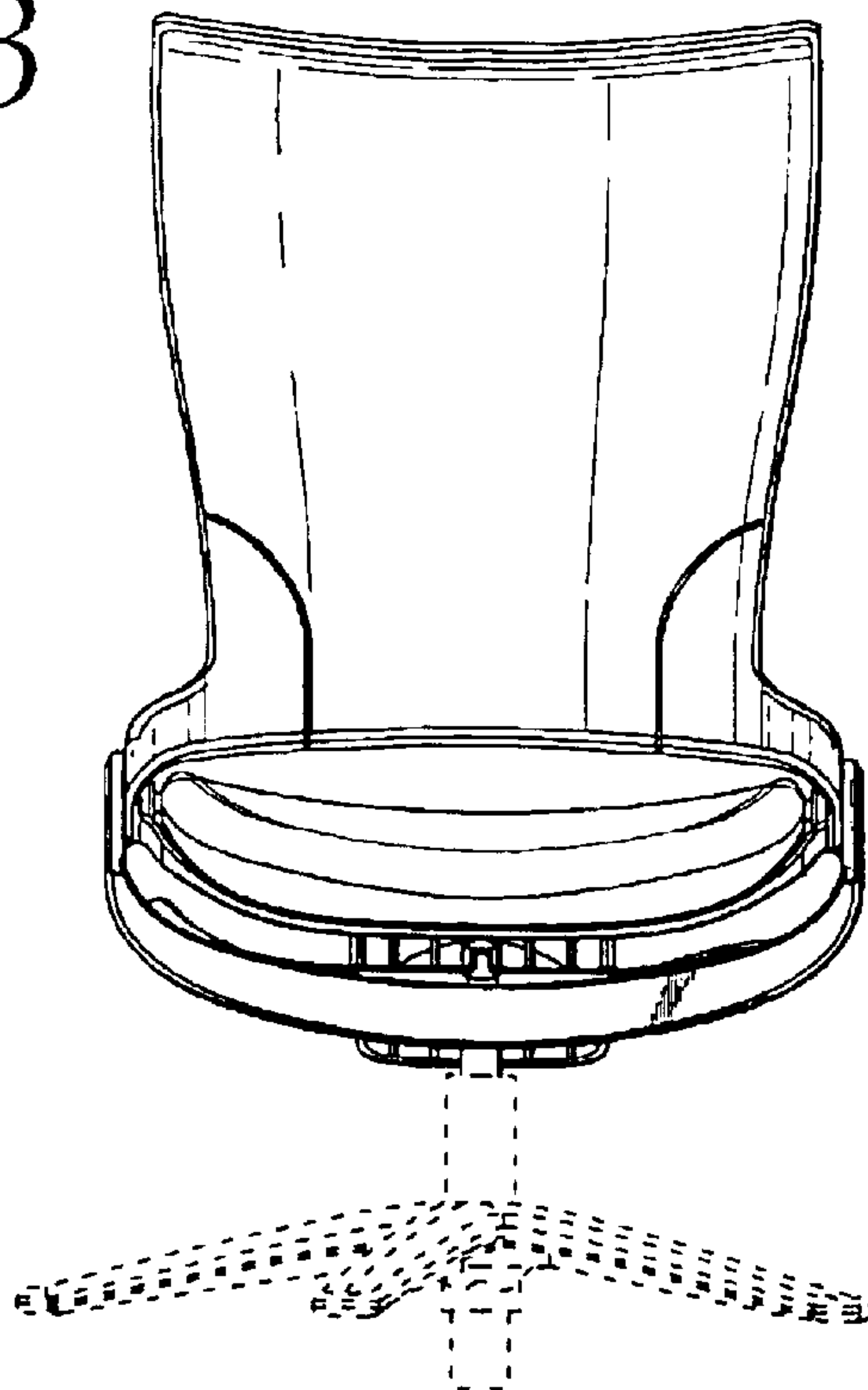


Fig. 4

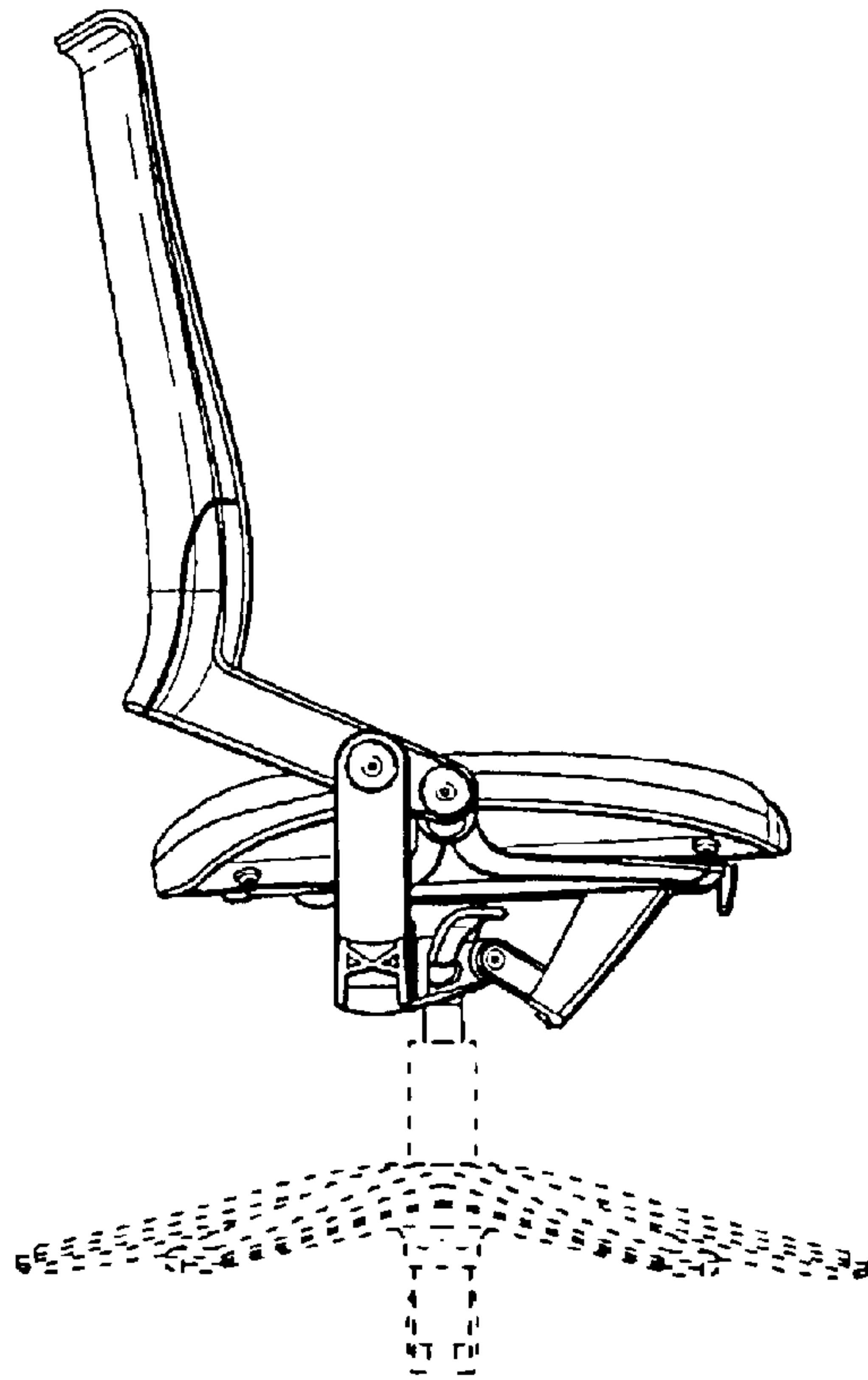


Fig. 5

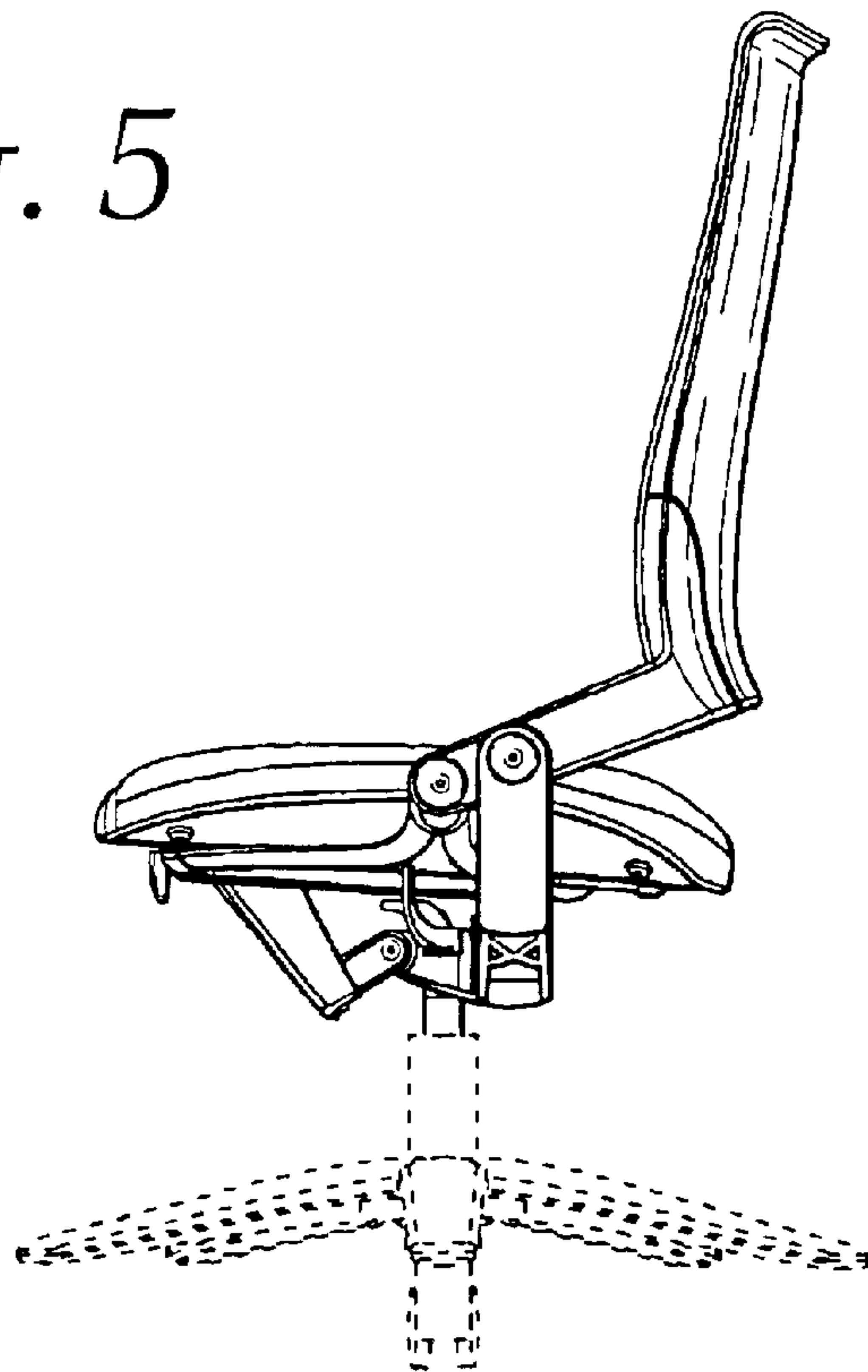


Fig. 6

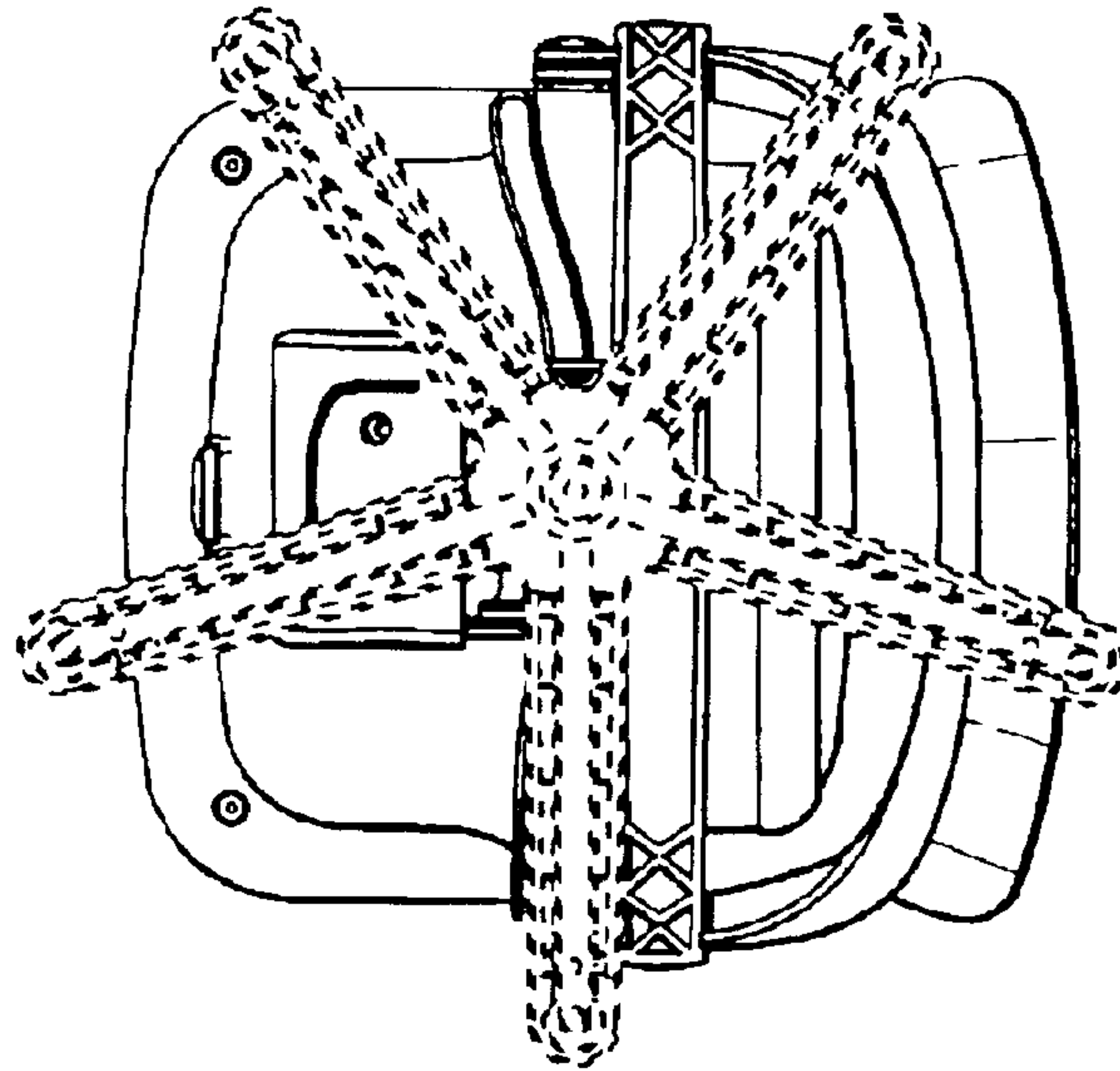


Fig. 7

