

US00D507131S

(12) **United States Design Patent**
Pingel

(10) **Patent No.:** **US D507,131 S**
(45) **Date of Patent:** **** Jul. 12, 2005**

(54) **BAR SPRAY PROTECTOR**

(76) **Inventor:** **Leonard J. Pingel**, 514 Clark St.,
Hatley, WI (US) 54440

(**) **Term:** **14 Years**

(21) **Appl. No.:** **29/180,933**

(22) **Filed:** **May 2, 2003**

(51) **LOC (8) Cl.** **06-06**

(52) **U.S. Cl.** **D6/491**

(58) **Field of Search** D24/234, 232;
D25/119, 58, 124, 125, 136; 52/287.1,
220.5; D6/491, 481; D20/10, 19, 44; D26/118;
312/137, 140, 140.1, 140.2, 140.3, 140.4;
40/642.01, 661, 642.02, 661.02, 661.03

(56) **References Cited**

U.S. PATENT DOCUMENTS

477,917 A	6/1892	Strater	
D169,447 S	* 4/1953	Labrise	D6/580
D187,517 S	* 3/1960	Linscott	D20/44
3,041,957 A	7/1962	Liptay	98/115
3,192,936 A	7/1965	Devine	134/183
D297,765 S	9/1988	Conlon	D24/29
D297,766 S	9/1988	Conlon	D24/29
D325,485 S	* 4/1992	Diem	D6/491
D360,038 S	* 7/1995	Bancroft	D25/119
5,756,933 A	* 5/1998	Pitchford et al.	52/287.1

5,832,102 A	11/1998	Uchida	99/645
D479,751 S	* 9/2003	Schofield	D25/119
6,665,971 B2	* 12/2003	Lowry et al.	40/661
D490,167 S	* 5/2004	Eichner et al.	D25/119

* cited by examiner

Primary Examiner—Ian Simmons

(74) *Attorney, Agent, or Firm*—Andrus, Scales, Starke & Sawall, LLP

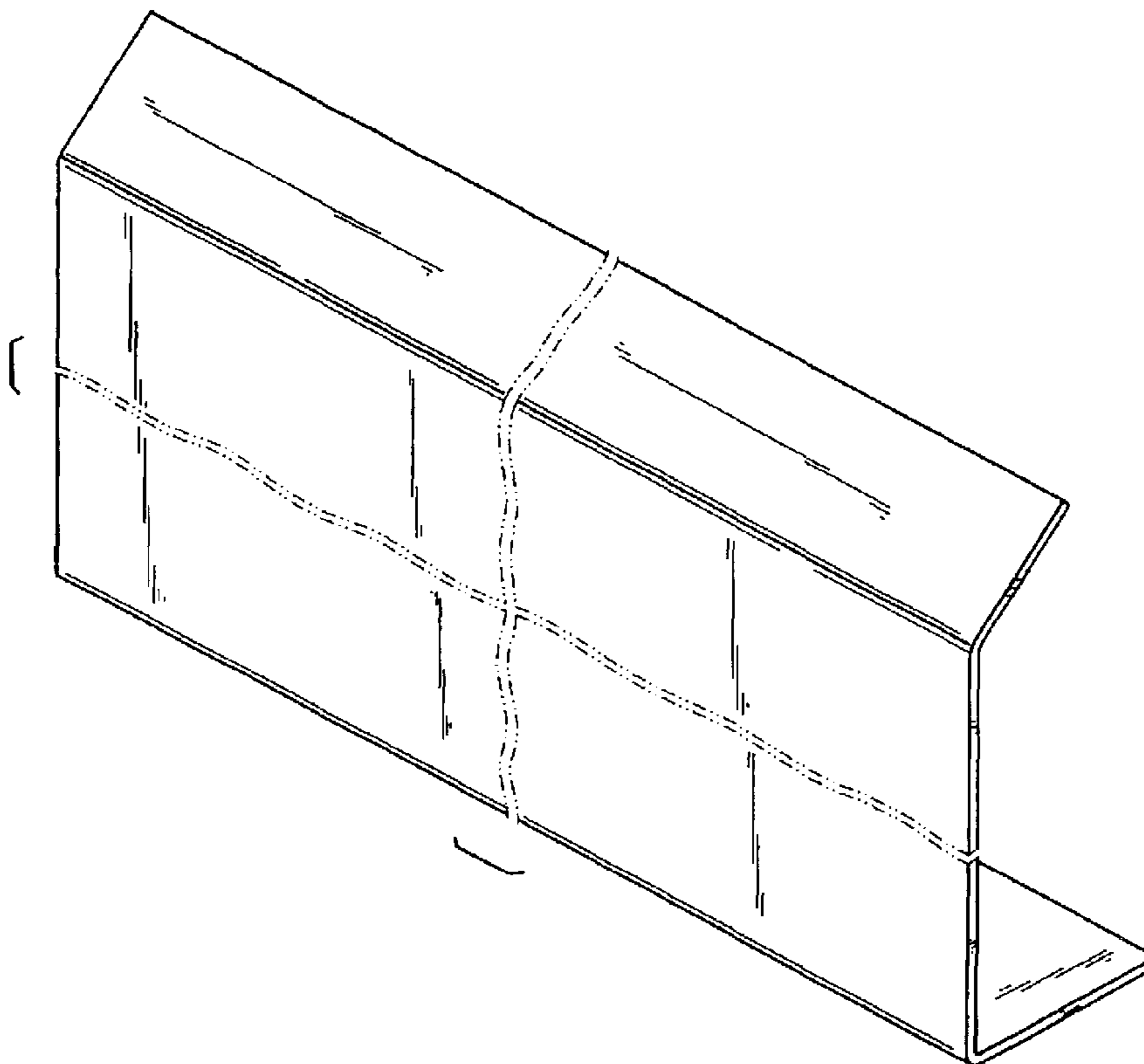
(57) **CLAIM**

The ornamental design for a bar spray protector, as shown and described.

DESCRIPTION

FIG. 1 is a perspective view of a bar spray protector incorporating the design of the invention;
FIG. 2 is a front view of the bar spray protector;
FIG. 3 is a right side view of the bar spray protector, with the left side view being a mirror image thereof;
FIG. 4 is a back elevation view of the bar spray protector;
FIG. 5 is a top view of the bar spray protector; and,
FIG. 6 is a bottom view of the bar spray protector.
The phantom lines shown in FIGS. 1–6 are shown for illustrative purposes only and form no part of the claimed design. The bar spray protector has been broken in the center to indicate indefinite length.

1 Claim, 3 Drawing Sheets



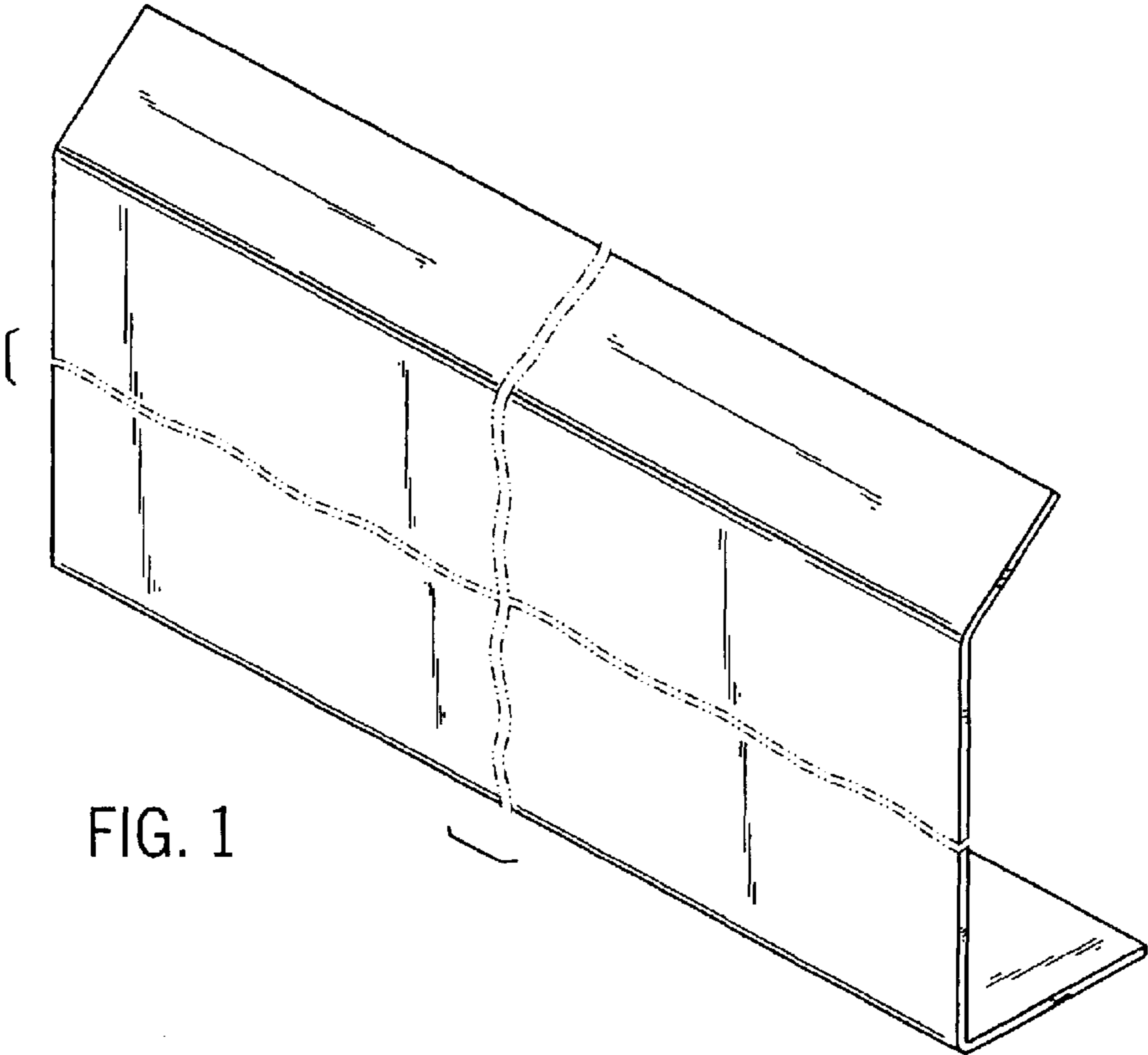


FIG. 1

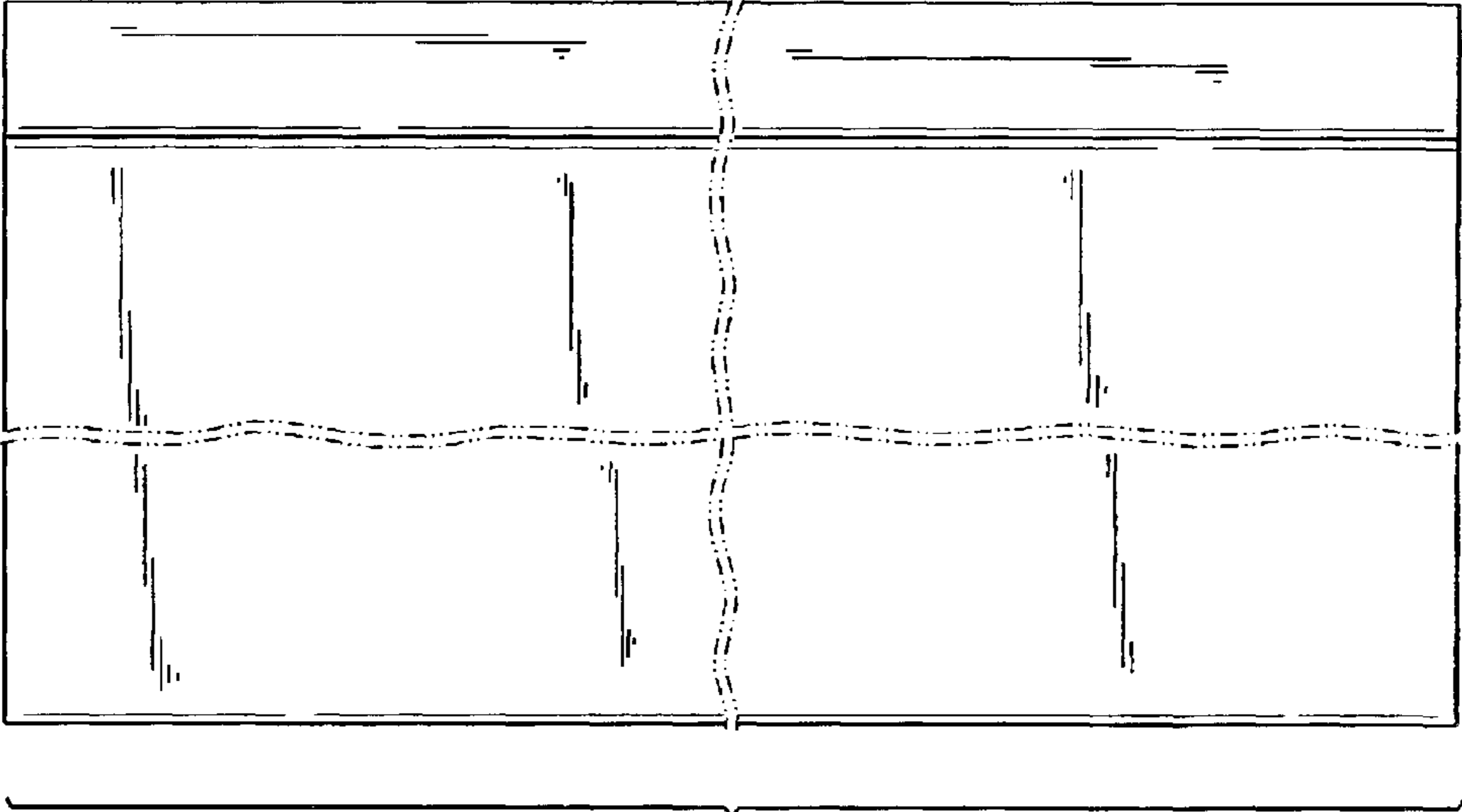


FIG. 2

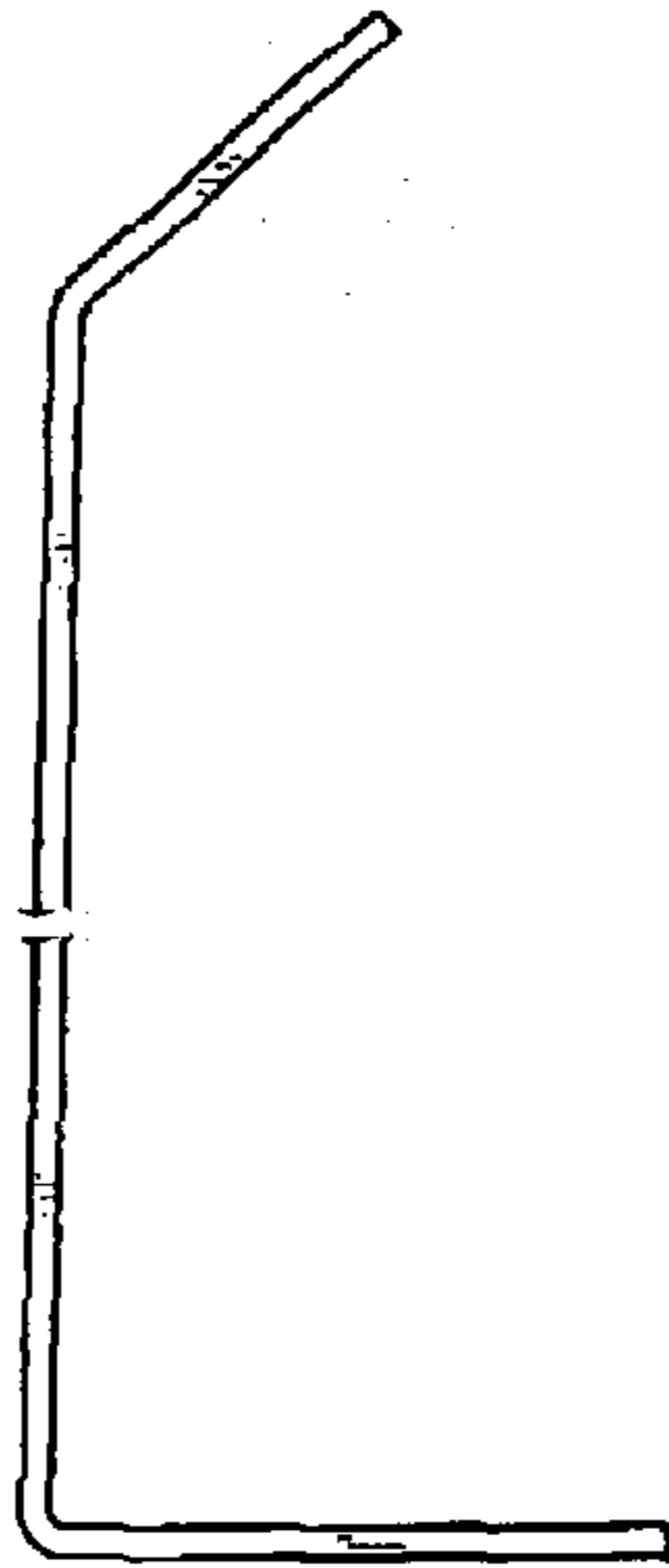


FIG. 3

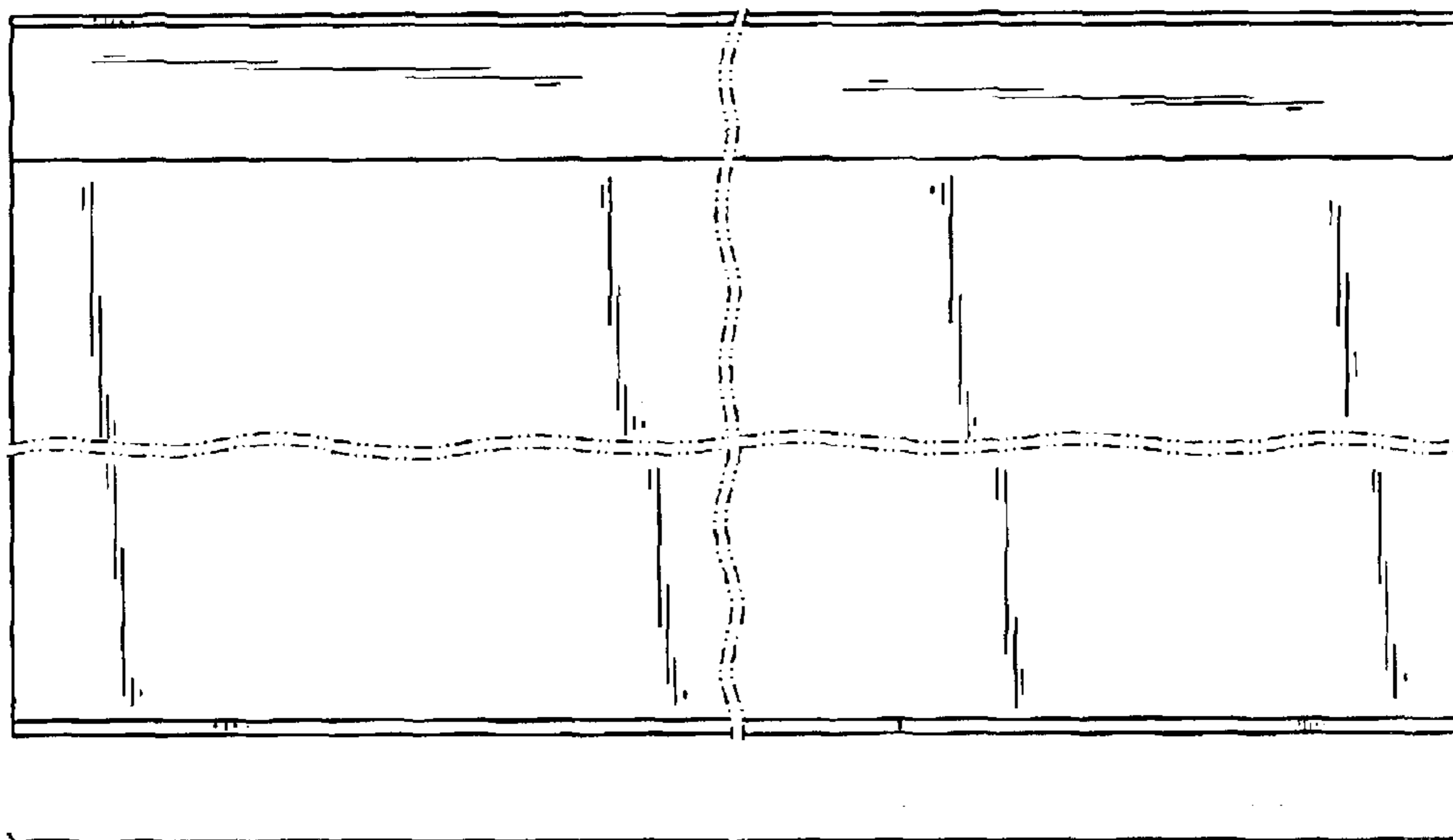


FIG. 4

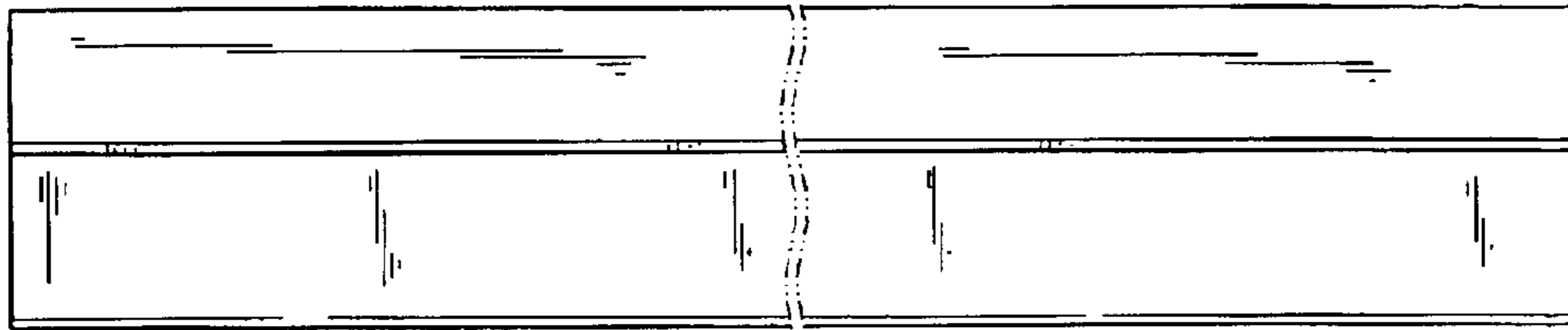


FIG. 5

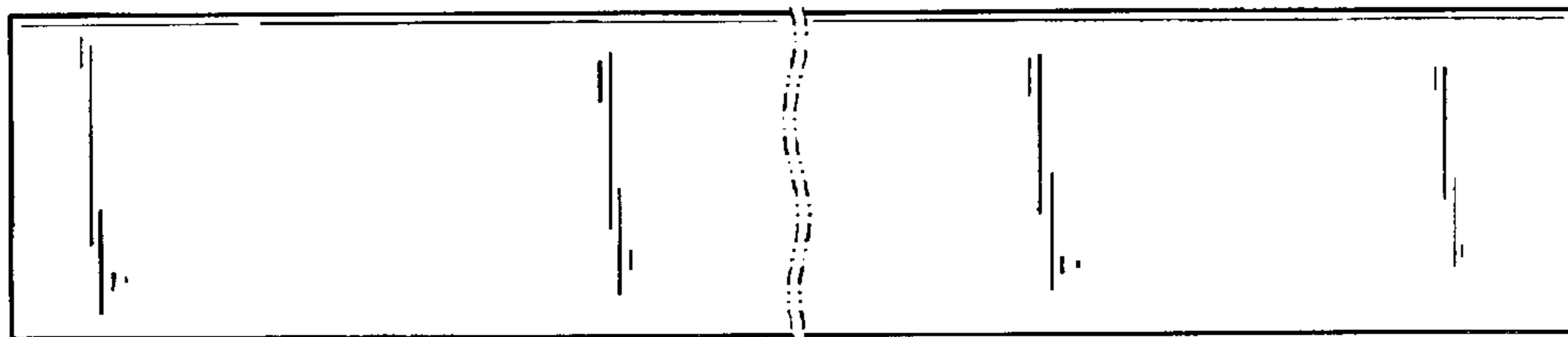


FIG. 6