

US00D507130S

(12) **United States Design Patent**
Mohundro

(10) **Patent No.:** **US D507,130 S**
(45) **Date of Patent:** **** Jul. 12, 2005**

- (54) **COCKTAIL TABLE**
- (75) Inventor: **James Glenn Mohundro, Taichung (TW)**
- (73) Assignee: **Pacific Marketing International (H.K.), Ltd., Taichung (TW)**
- (**) Term: **14 Years**
- (21) Appl. No.: **29/203,524**
- (22) Filed: **Apr. 16, 2004**
- (51) **LOC (8) Cl.** **06-03**
- (52) **U.S. Cl.** **D6/480**
- (58) **Field of Search** D6/480-489, 495-499, D6/349; 248/188, 188.1, 188.8, 188.9; 108/153.1, 155, 156, 157.1, 161

- D422,811 S * 4/2000 O'Hare D6/480
- D448,590 S * 10/2001 McDaniel et al. D6/495
- D480,238 S * 10/2003 O'Hare D6/495

* cited by examiner

Primary Examiner—Janice E. Seeger
(74) *Attorney, Agent, or Firm*—Rosenberg, Klein & Lee

(57) **CLAIM**

The ornamental design for a cocktail table, as shown and described.

DESCRIPTION

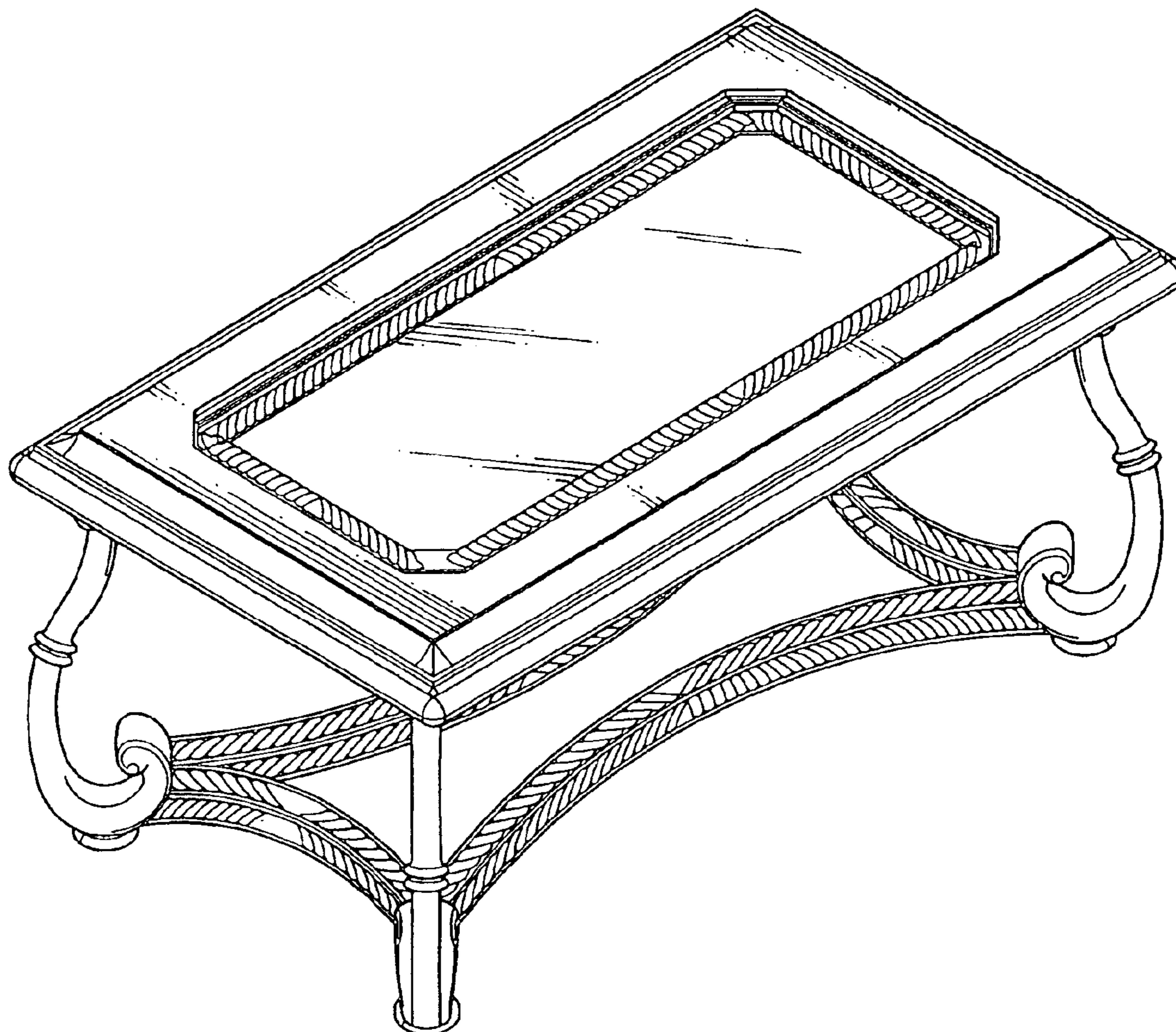
FIG. 1 is a perspective view of a cocktail table, showing my new design;
FIG. 2 is a front elevational view thereof;
FIG. 3 is a rear elevational view thereof;
FIG. 4 is a left elevational view thereof;
FIG. 5 is a right elevational view thereof;
FIG. 6 is a top plan view thereof; and,
FIG. 7 is a bottom plan view thereof.

(56) **References Cited**

U.S. PATENT DOCUMENTS

- D348,791 S * 7/1994 Keller D6/487
- D404,596 S * 1/1999 Luong et al. D6/484

1 Claim, 6 Drawing Sheets



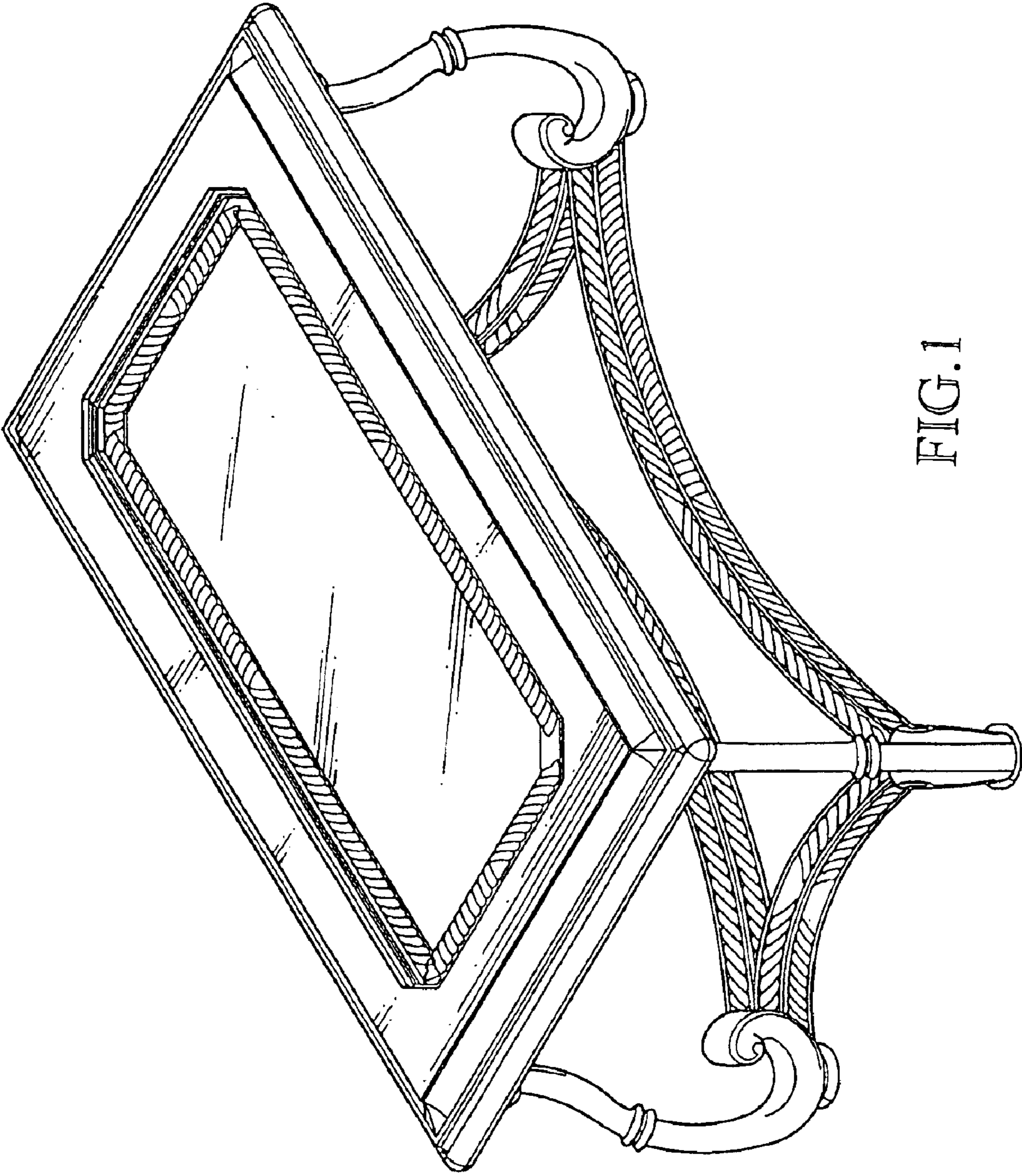


FIG.1

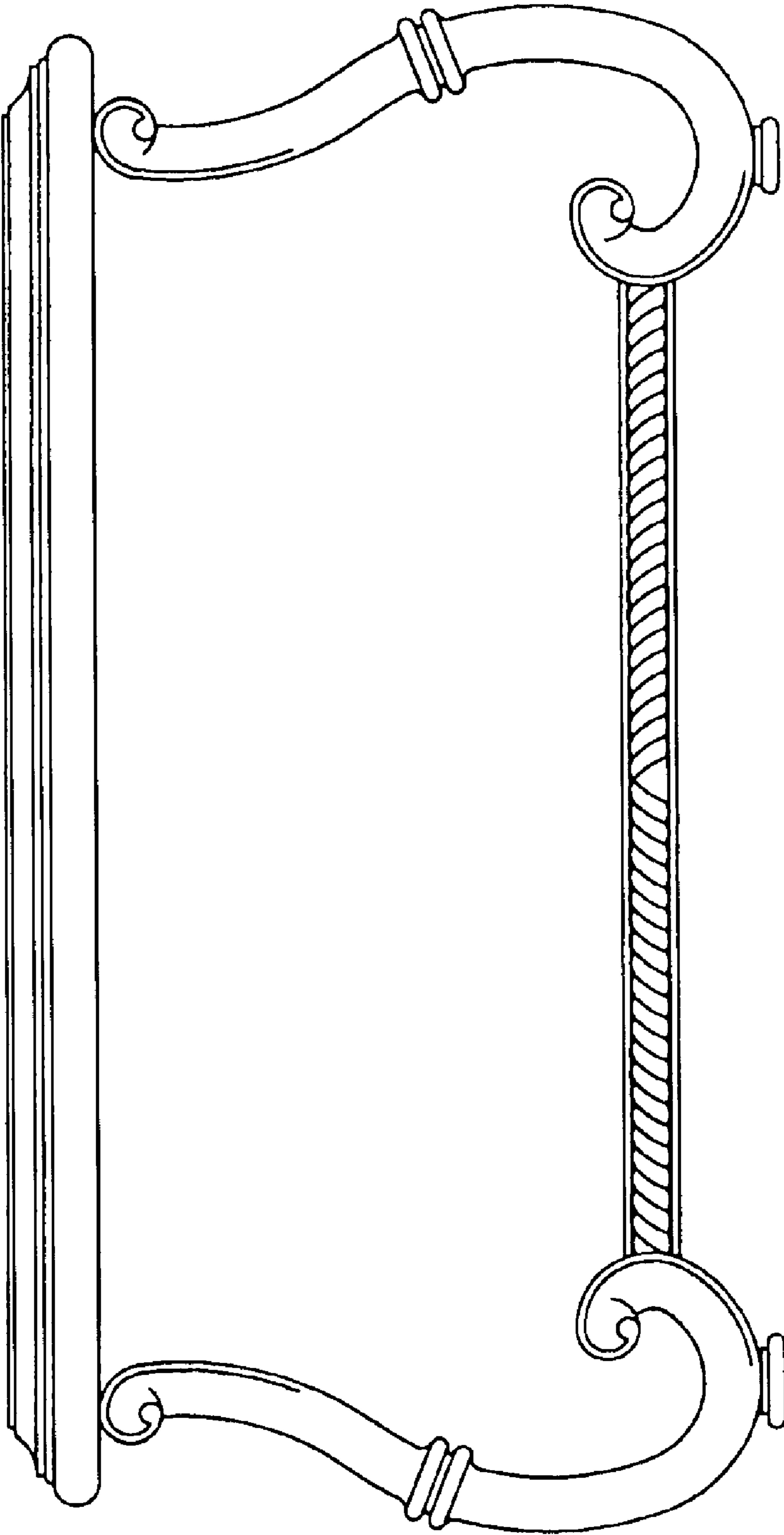


FIG.2

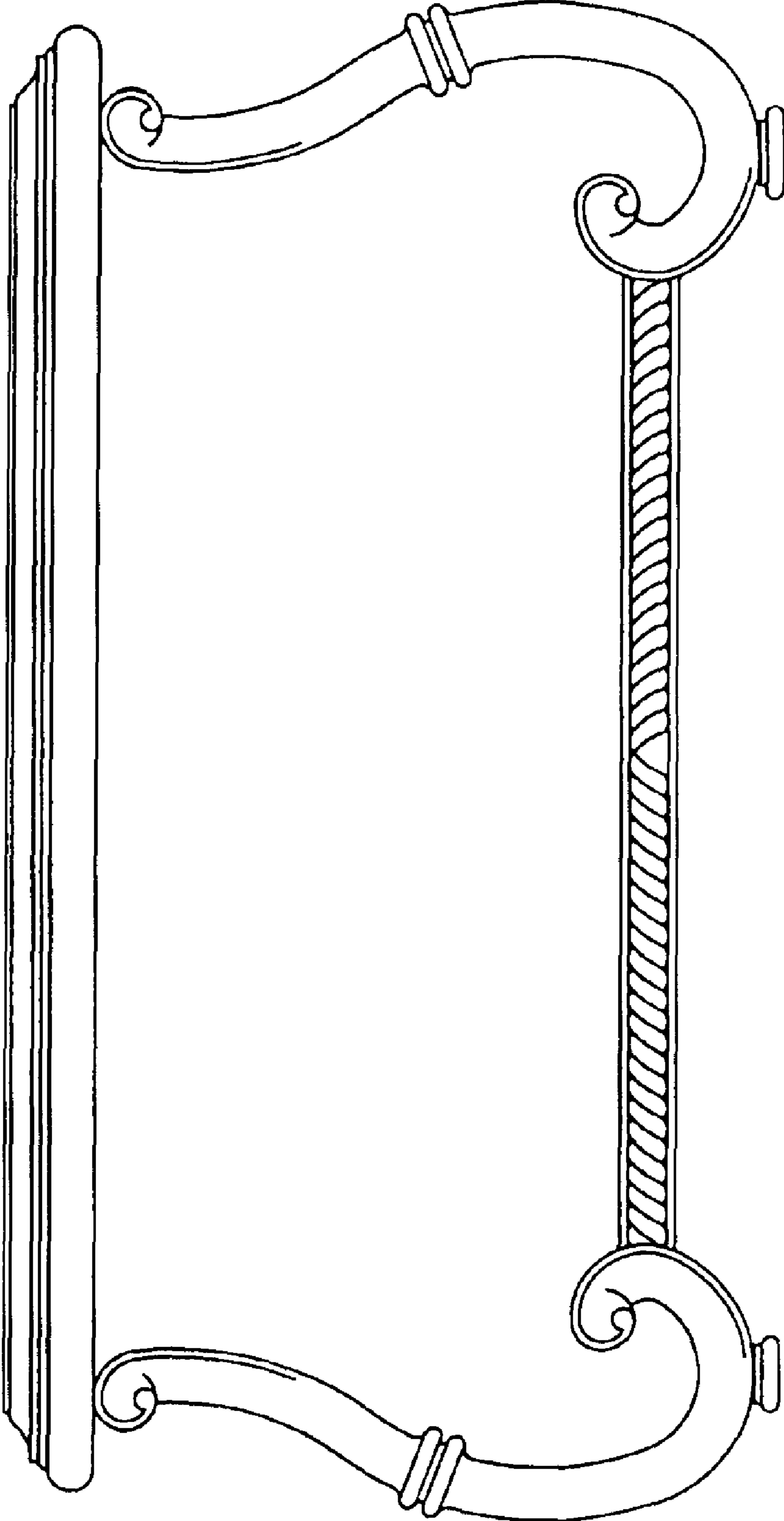


FIG.3

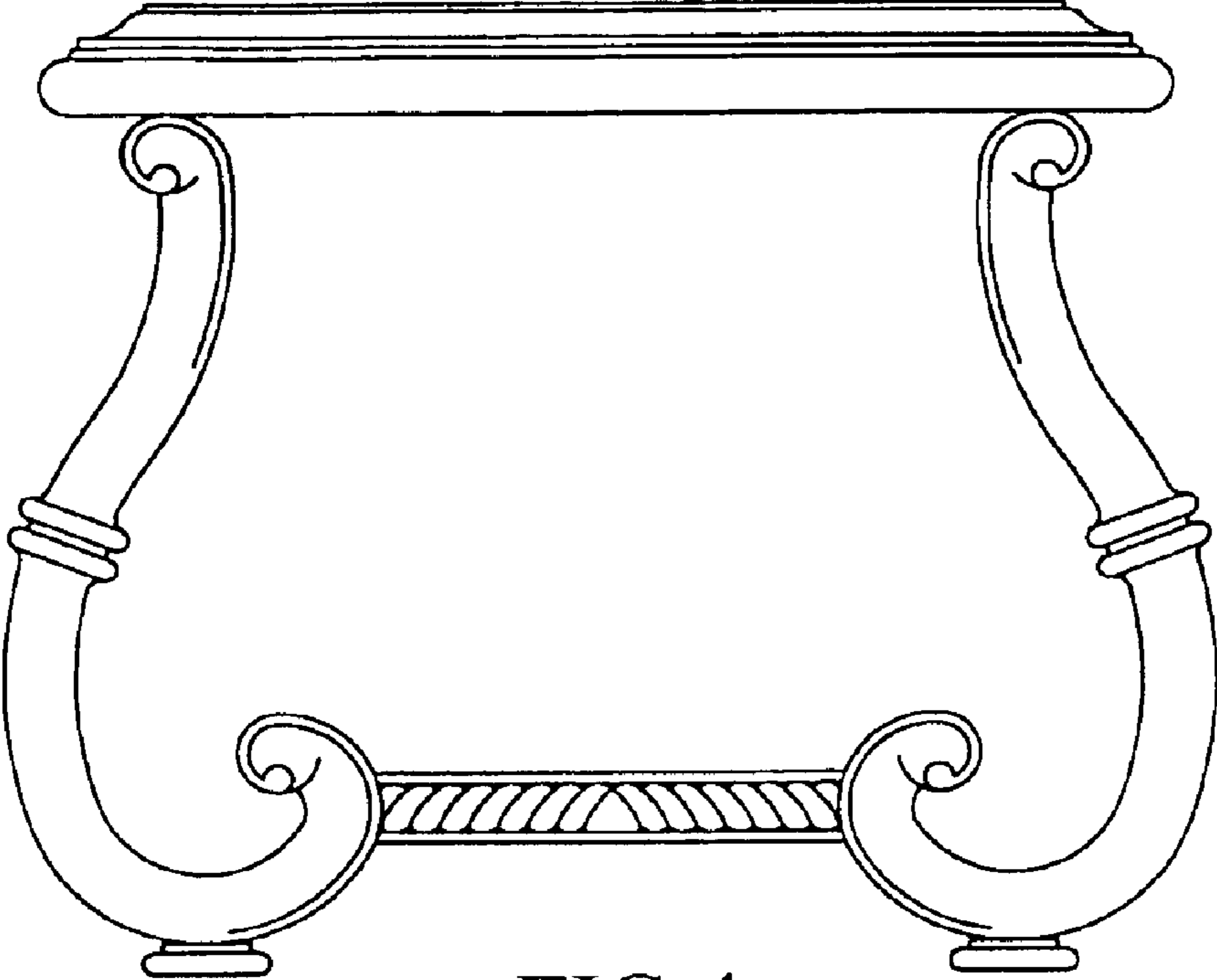


FIG. 4

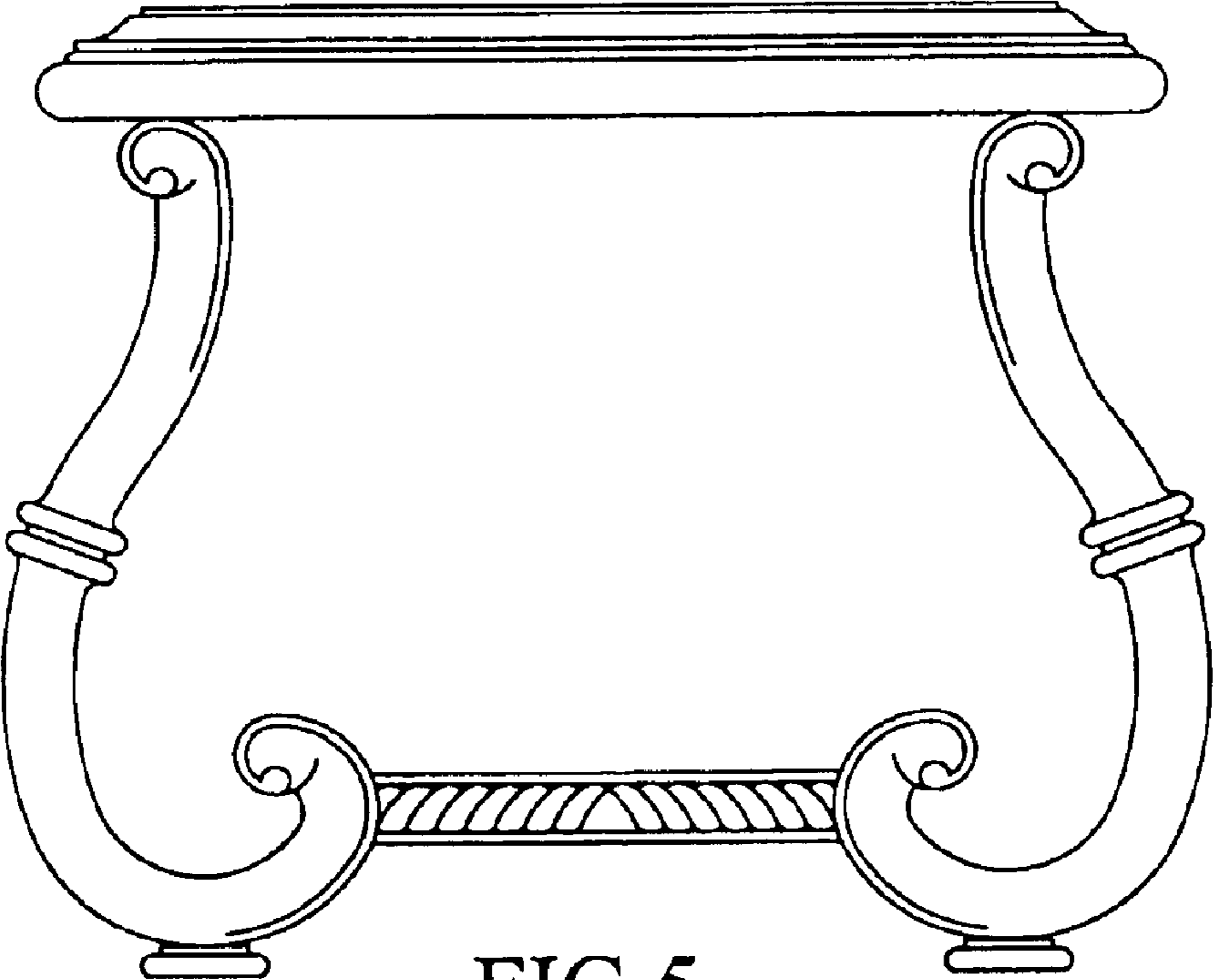


FIG. 5

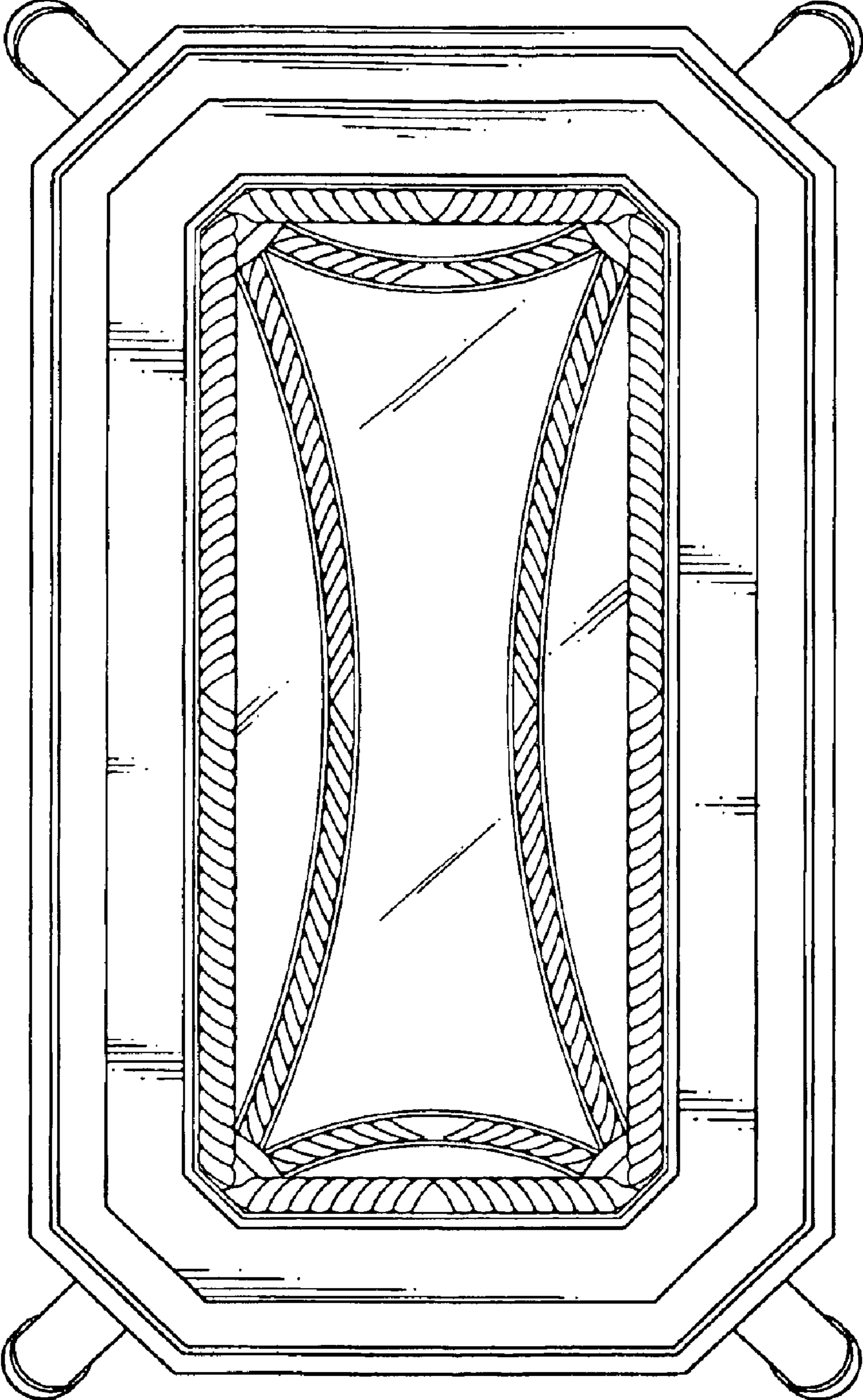


FIG.6

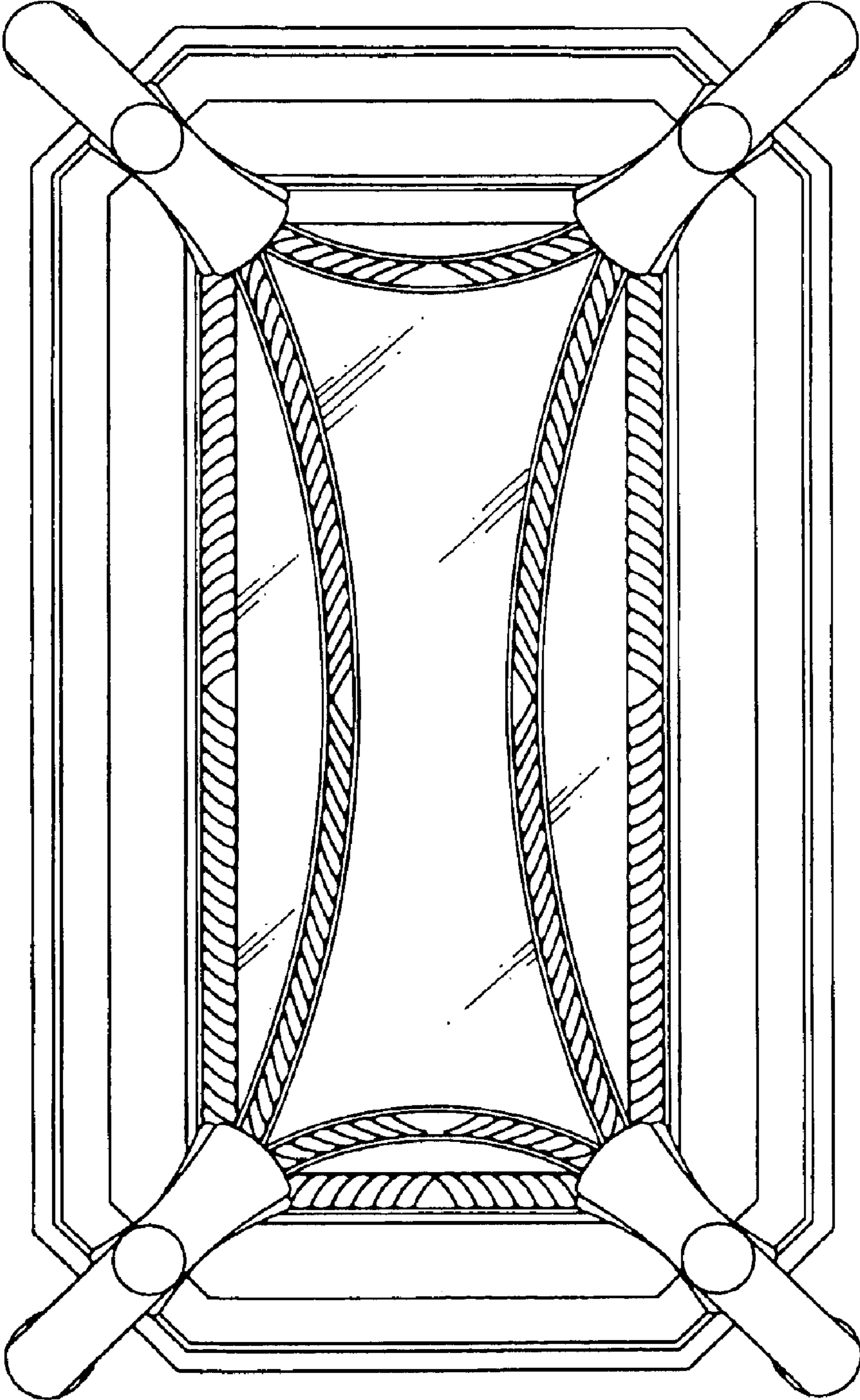


FIG.7