

US00D507128S

(12) **United States Design Patent**
Choo

(10) **Patent No.:** **US D507,128 S**
(45) **Date of Patent:** **** Jul. 12, 2005**

(54) **ENTERTAINMENT CENTER**
(76) Inventor: **Chong H. Choo**, 628 Bronco Way,
Walnut, CA (US) 91789
(**) Term: **14 Years**

D368,912 S 4/1996 Murphy et al.
D372,136 S 7/1996 Walters, III et al.
D372,376 S 8/1996 Walters, III et al.

(Continued)

(21) Appl. No.: **29/204,476**
(22) Filed: **Apr. 29, 2004**

(51) **LOC (8) Cl.** **06-04**
(52) **U.S. Cl.** **D6/477**
(58) **Field of Search** D6/460, 461, 468,
D6/474, 477-479, 407; 108/59, 91, 92,
96; 211/40, 41.12, 42, 49.1, 50, 85.2, 90.04,
187, 190, 119.003, 134.153, 87.01, 71.01;
312/9.1, 9.2, 9.46, 9.64, 9.8, 7.2; 206/307,
308.1

OTHER PUBLICATIONS

Avdeco Inc., Advertisement, DVD Etc., Magazine, Dec. 2003, p. 116.
Avdeco Inc., Advertisement, DVD Etc., Magazine, Mar. 2004, p. 54.
Avdeco Inc., Advertisement, DVD Etc., Magazine, Apr. 2004, p. 42.
Avdeco Inc., Advertisement, HDTV, Magazine, Spring 2004, p. 51.
Avdeco Inc., Advertisement, Dealerscope, Magazine, Mar. 2004, p. 14.
Avdeco Inc., Advertisement, Home Theater Builder, Magazine, May 2004.
Avdeco Inc., Advertisement, San Diego Living, Magazine, Oct./Nov. 2003, back cover.
Avdeco Inc., Avdeco Catalog, Jan. 2004. pp. 1-2.
Avdeco Inc., Avdeco Pamphlet, Sep. 2003, pp. 2 and 6.

(56) **References Cited**

U.S. PATENT DOCUMENTS

D282,226 S 1/1986 Branciforti
D300,888 S 5/1989 Bush et al.
D301,095 S 5/1989 Bush et al.
D302,499 S 8/1989 Bush et al.
D307,681 S 5/1990 Bush et al.
D307,682 S 5/1990 Bush et al.
D314,096 S 1/1991 Bush et al.
D316,640 S 5/1991 Bush et al.
D316,641 S 5/1991 Bush et al.
D324,788 S 3/1992 White
D328,202 S 7/1992 Tippit
D328,927 S 8/1992 Hines
D332,533 S 1/1993 Ma
D335,975 S 6/1993 Bressler
D340,151 S 10/1993 Keller
D340,152 S 10/1993 Short
D343,073 S 1/1994 Black
D348,998 S 7/1994 Siroonian
D353,281 S 12/1994 Keller
D354,638 S 1/1995 Todd et al.
D358,046 S 5/1995 Ferguson
D361,002 S 8/1995 Ferguson
D364,054 S 11/1995 Weber
D365,472 S 12/1995 Rehnberg

* cited by examiner

Primary Examiner—Cathron Brooks
(74) *Attorney, Agent, or Firm*—MacPherson Kwok Chen & Heid LLP; Clifford G. Cousins

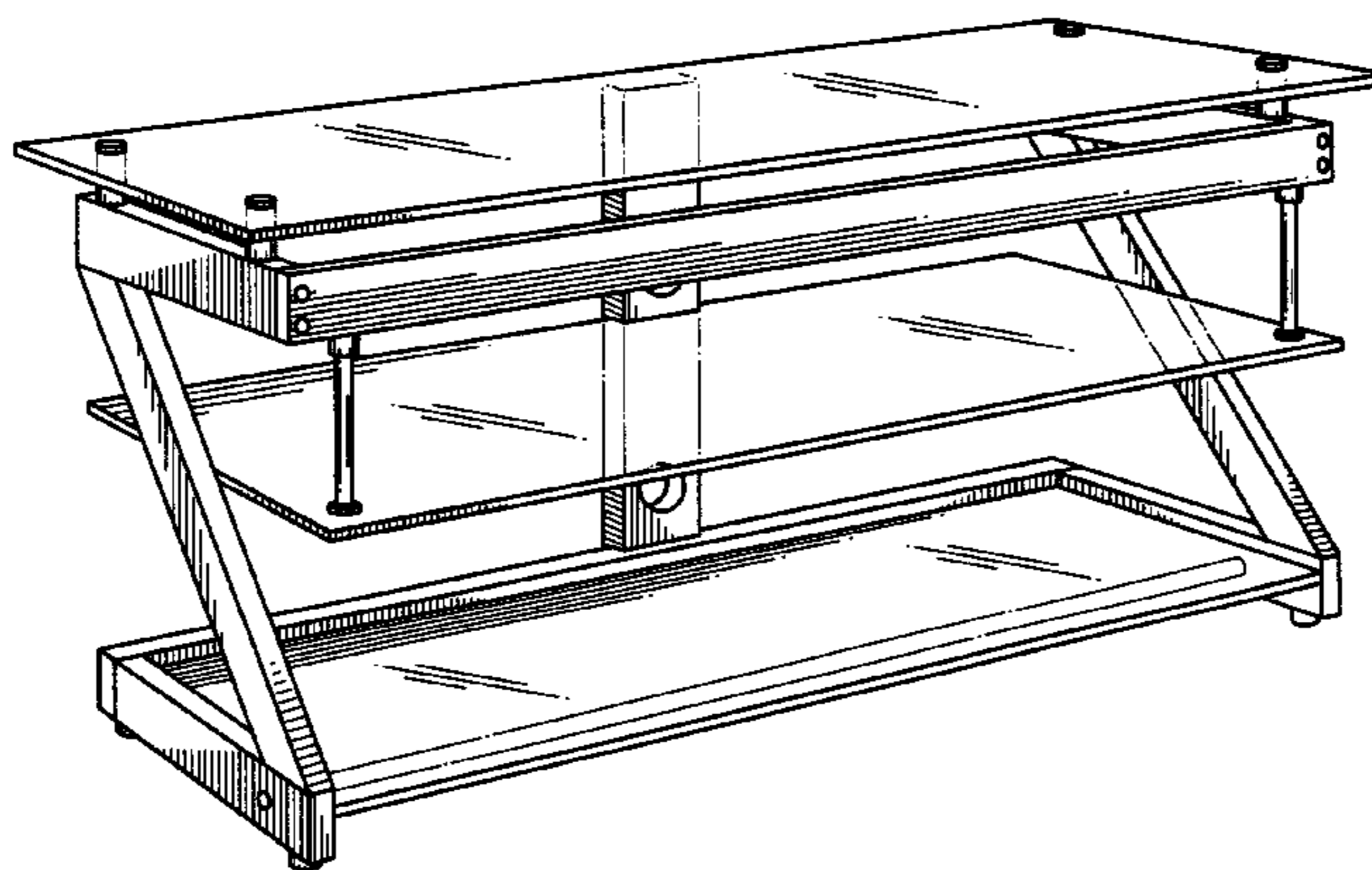
(57) **CLAIM**

The ornamental design for the entertainment center, as shown and described.

DESCRIPTION

FIG. 1 is a front perspective view of the entertainment center of the present invention;
FIG. 2 is a left side perspective view of the entertainment center;
FIG. 3 is a right side perspective view of the entertainment center;
FIG. 4 is a front perspective view of the entertainment center; and,
FIG. 5 is a back perspective view of the entertainment center.

1 Claim, 3 Drawing Sheets

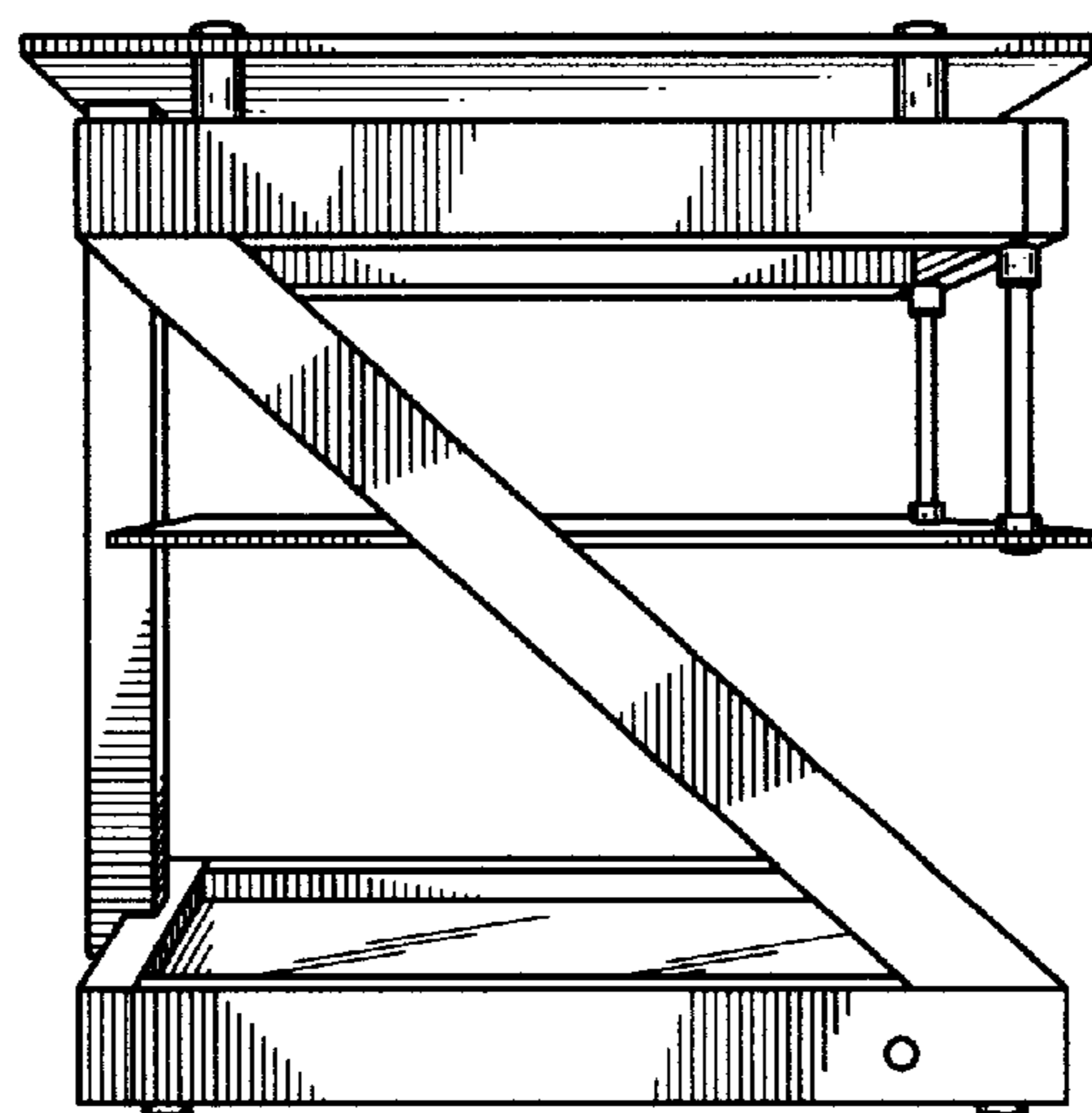
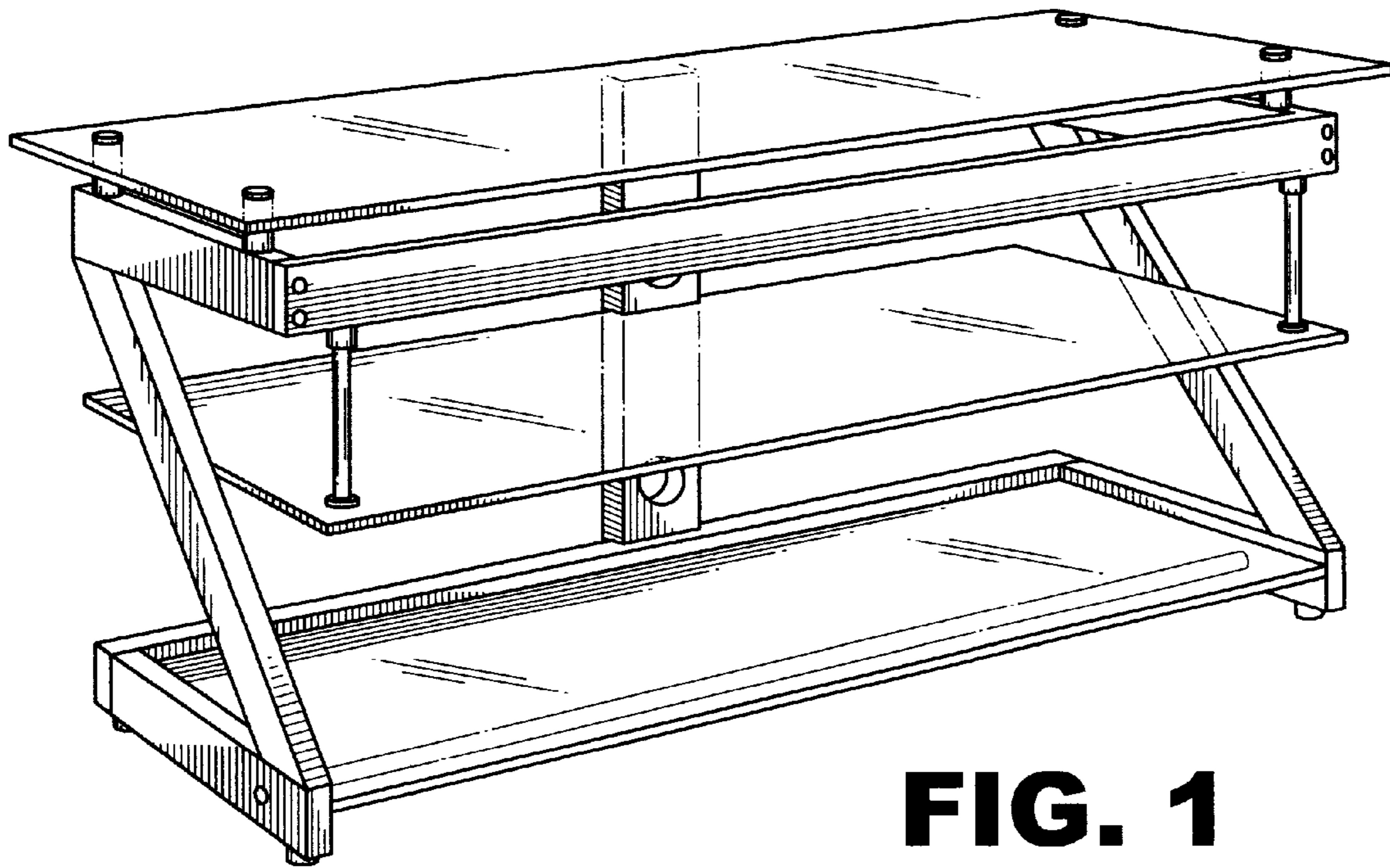


US D507,128 S

Page 2

U.S. PATENT DOCUMENTS

D372,379 S	8/1996	Newman	D458,053 S	6/2002	Luong	
D373,488 S	9/1996	Johnson	D461,652 S	8/2002	Stanton	
D392,694 S	3/1998	Granatier et al.	D461,971 S	8/2002	Stanton	
D403,531 S	1/1999	De Blaay	D465,106 S	11/2002	Cain	
D403,891 S	1/1999	West	D465,355 S	11/2002	Luong	
D403,892 S	1/1999	Welborn, Jr.	D465,356 S	11/2002	Muller	
D403,893 S	1/1999	Welborn, Jr.	D488,648 S	4/2004	Stanton	
D407,577 S	4/1999	Dorst	D489,548 S	* 5/2004	Malizia D6/477
D423,810 S	5/2000	Dorst	D491,385 S	* 6/2004	Sexton D6/479
D441,214 S	5/2001	Cain	D491,749 S	* 6/2004	Malizia D6/474
D451,698 S	12/2001	Cain	D497,741 S	* 11/2004	Sexton D6/479



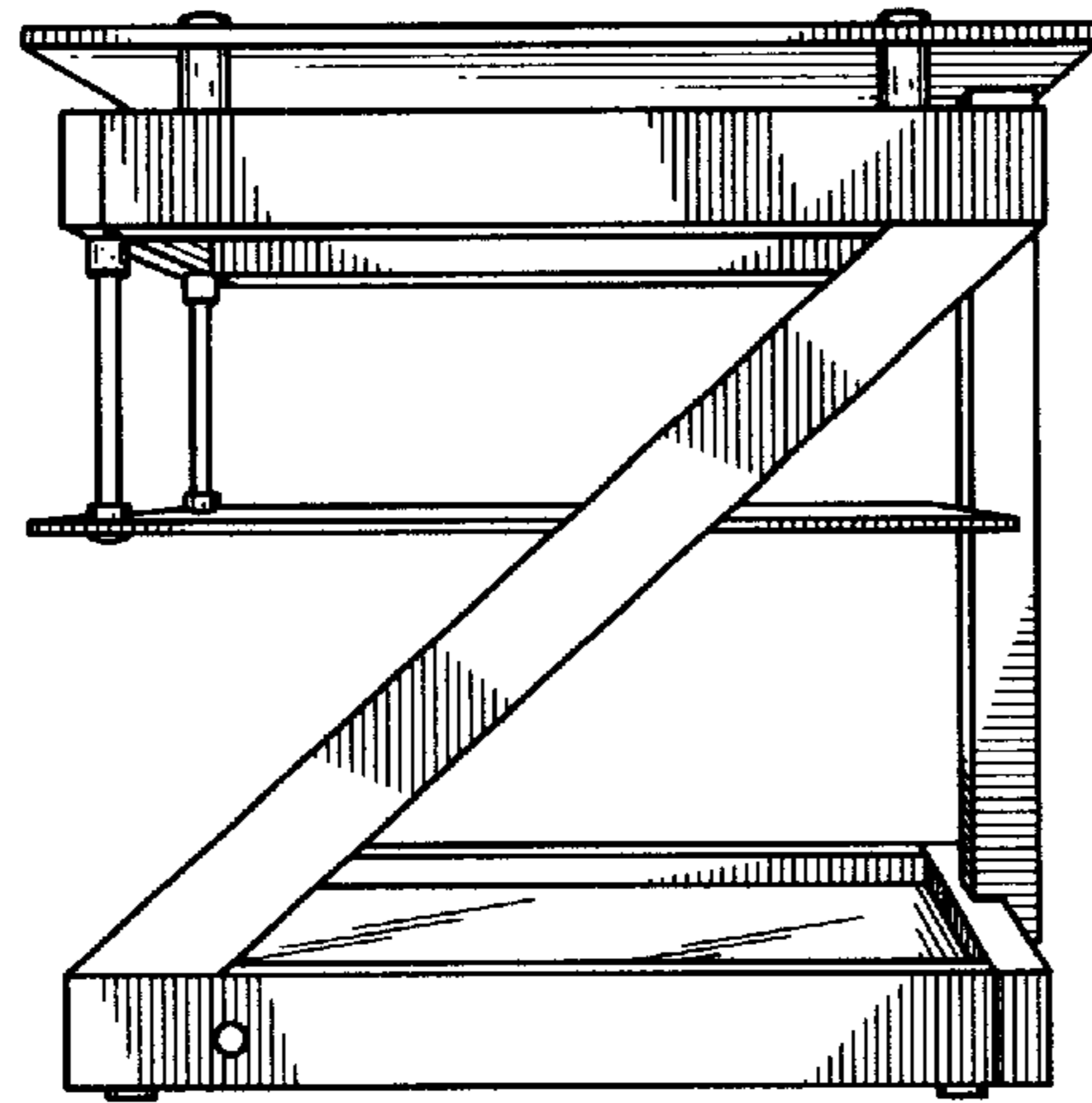


FIG. 3

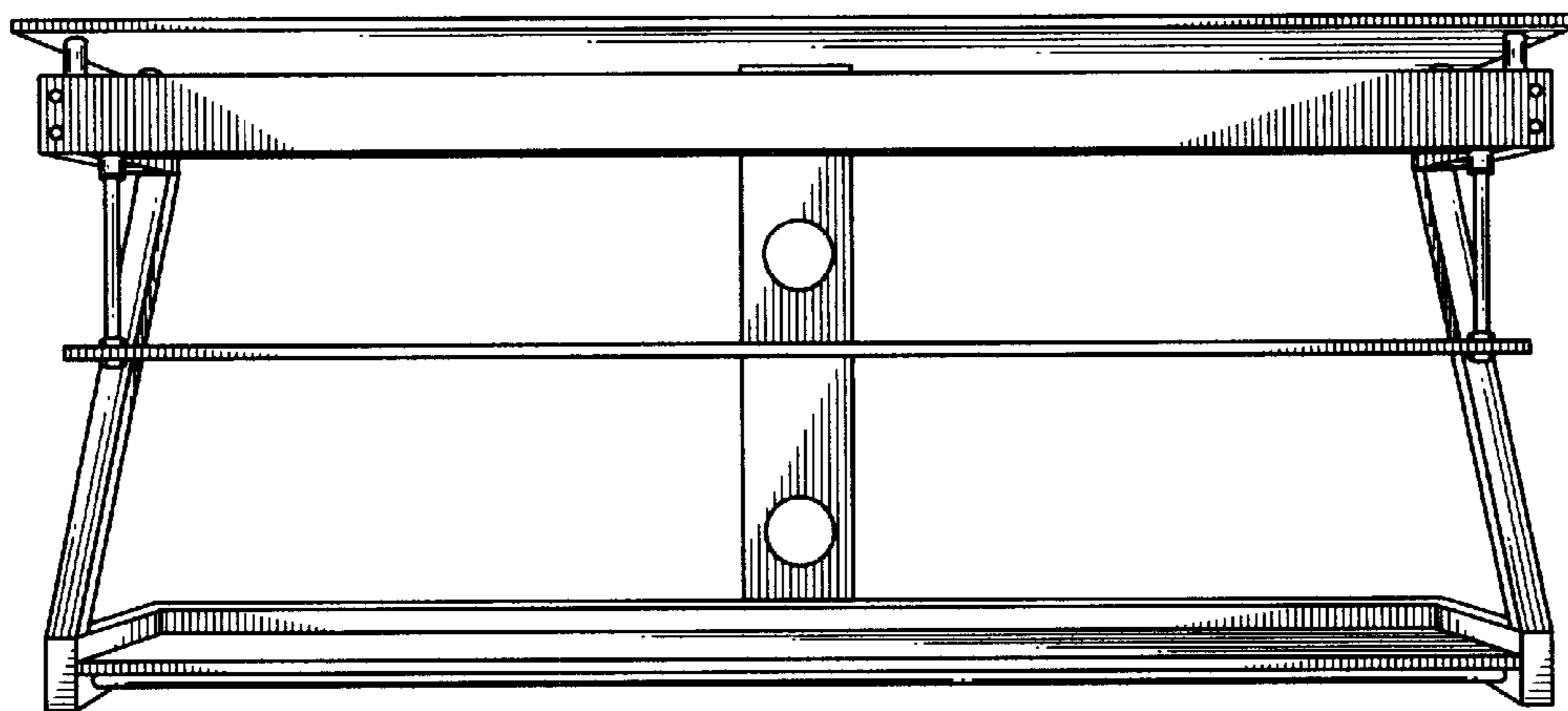


FIG. 4

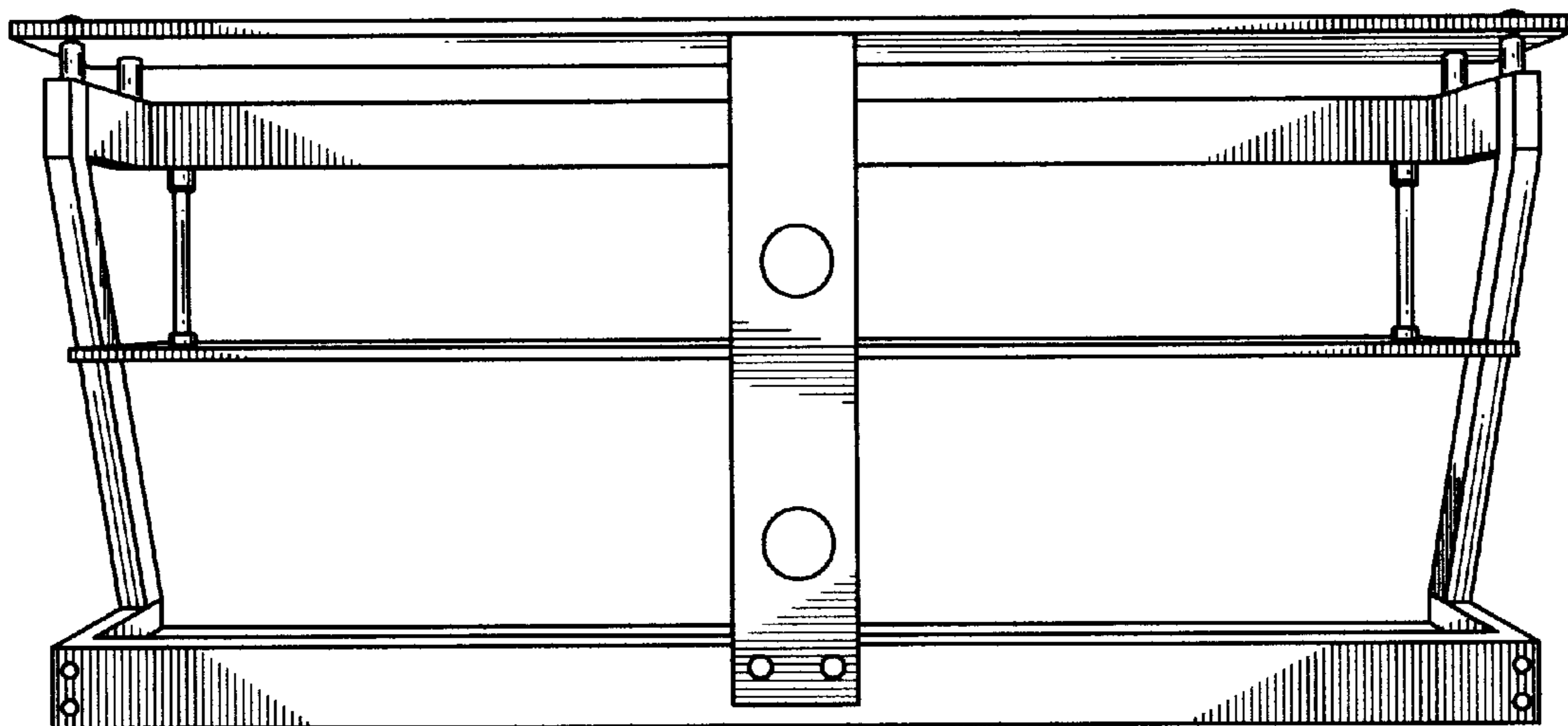


FIG. 5