



US00D507125S

(12) **United States Design Patent**
Shamie

(10) **Patent No.:** **US D507,125 S**
(45) **Date of Patent:** **** Jul. 12, 2005**

(54) **CONVERTIBLE TODDLER BED WITH CURVED PANELS**

DESCRIPTION

(76) Inventor: **Louis Shamie**, 114 W. 26th St., New York, NY (US) 10001

FIG. 1 is an overall perspective view of a first alternate appearance of a convertible toddler bed with curved panels showing my new design;

(**) Term: **14 Years**

FIG. 2 is a left side elevation view thereof, with the right side elevation view being a mirror image thereof;

(21) Appl. No.: **29/204,255**

FIG. 3 is a top plan view thereof;

(22) Filed: **Apr. 27, 2004**

FIG. 4 is a front elevation view thereof;

(51) **LOC (8) Cl.** **06-01**

FIG. 5 is a rear elevation view thereof;

(52) **U.S. Cl.** **D6/383; D6/392; D6/395**

(58) **Field of Search** **D6/382, 383, 390-395, D6/505-508; 5/53.1, 907, 279.1, 280, 281, 308, 93.2, 2.1**

FIG. 6 is an overall perspective view of a second alternate appearance of the convertible toddler bed with the curved panels of FIG. 1;

(56) **References Cited**

FIG. 7 is a left side elevation view of the second alternate appearance of the convertible toddler bed with curved panels of FIG. 6, with the right side elevation view being a mirror image thereof;

U.S. PATENT DOCUMENTS

3,427,666	A	*	2/1969	Saxe	5/2.1
D438,723	S	*	3/2001	Turner et al.	D6/395
D461,066	S	*	8/2002	Bellows	D6/390
6,557,191	B2	*	5/2003	Bellows et al.	5/200.1
6,845,530	B2	*	1/2005	Briere	5/93.2

FIG. 8 is a front elevation view of the second alternate appearance of the convertible toddler bed with curved panels of FIG. 6;

* cited by examiner

FIG. 9 is a top plan view of the second alternate appearance of the convertible toddler bed with curved panels of FIG. 6; and,

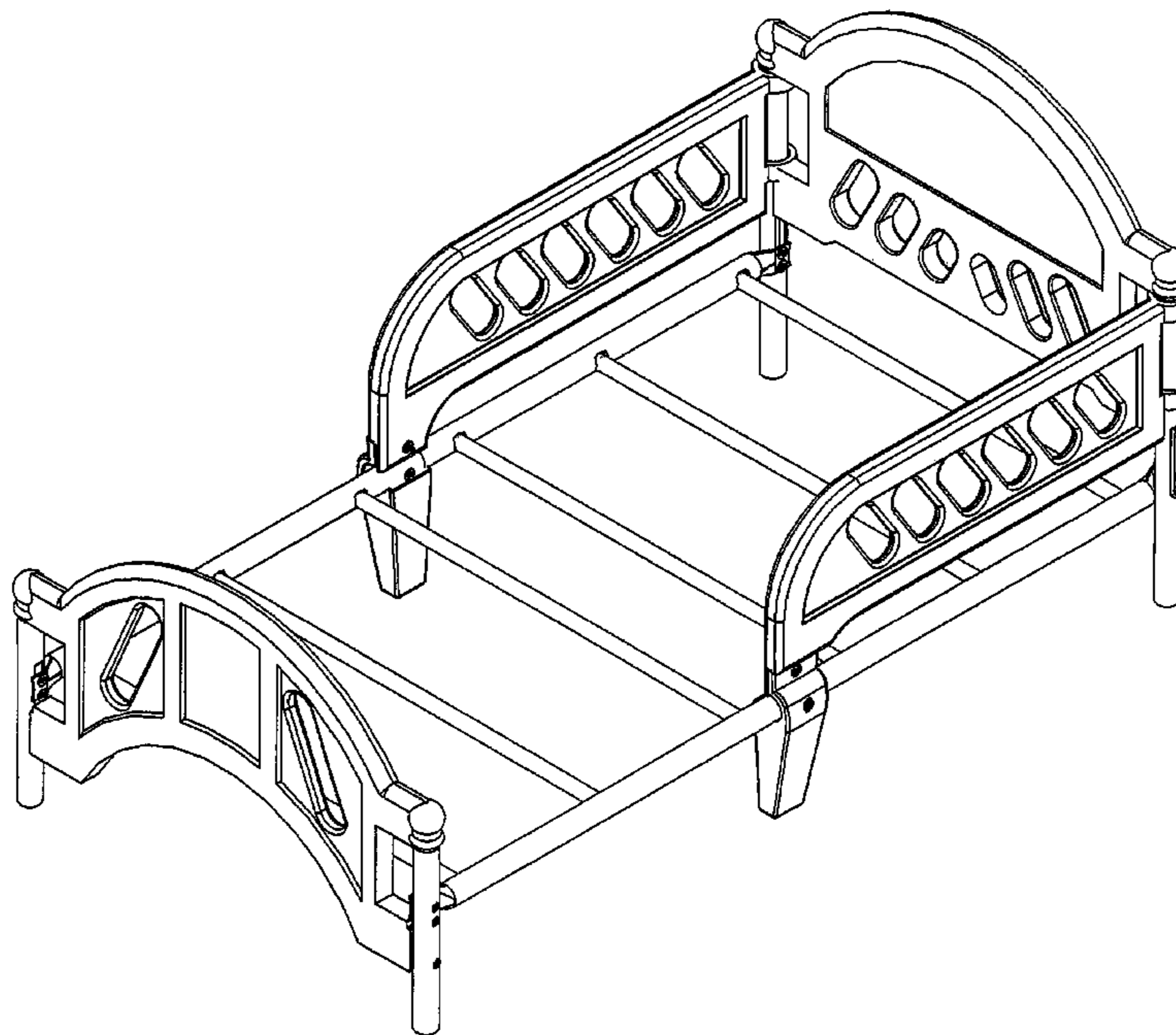
Primary Examiner—Janice E. Seeger
(74) *Attorney, Agent, or Firm*—Arthur I. Degenholtz

FIG. 10 is a rear elevation view of the second alternate appearance of the convertible toddler bed with curved panels of FIG. 6.

(57) **CLAIM**

The ornamental design for a convertible toddler bed with curved panels, as shown and described.

1 Claim, 10 Drawing Sheets



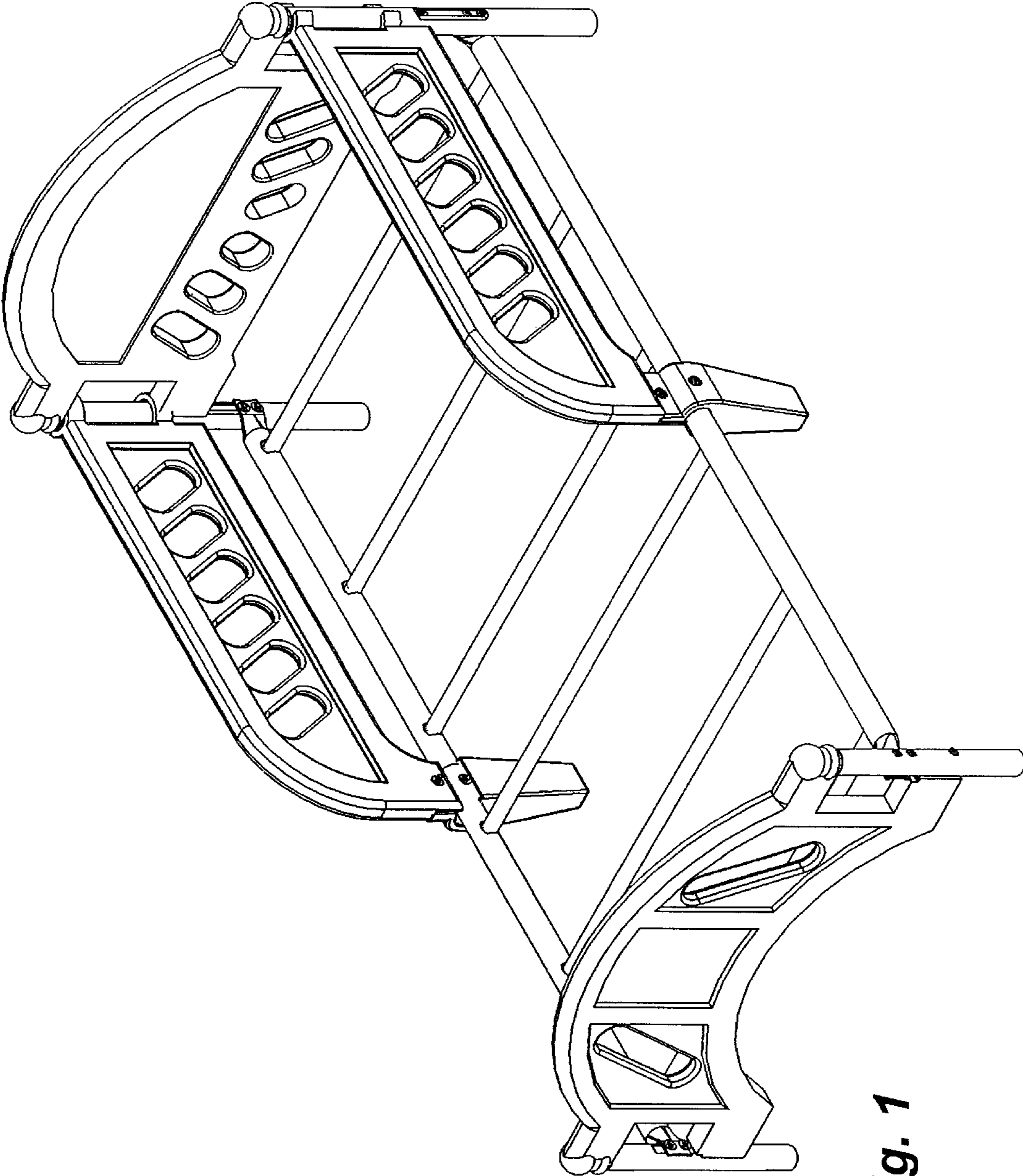


Fig. 1

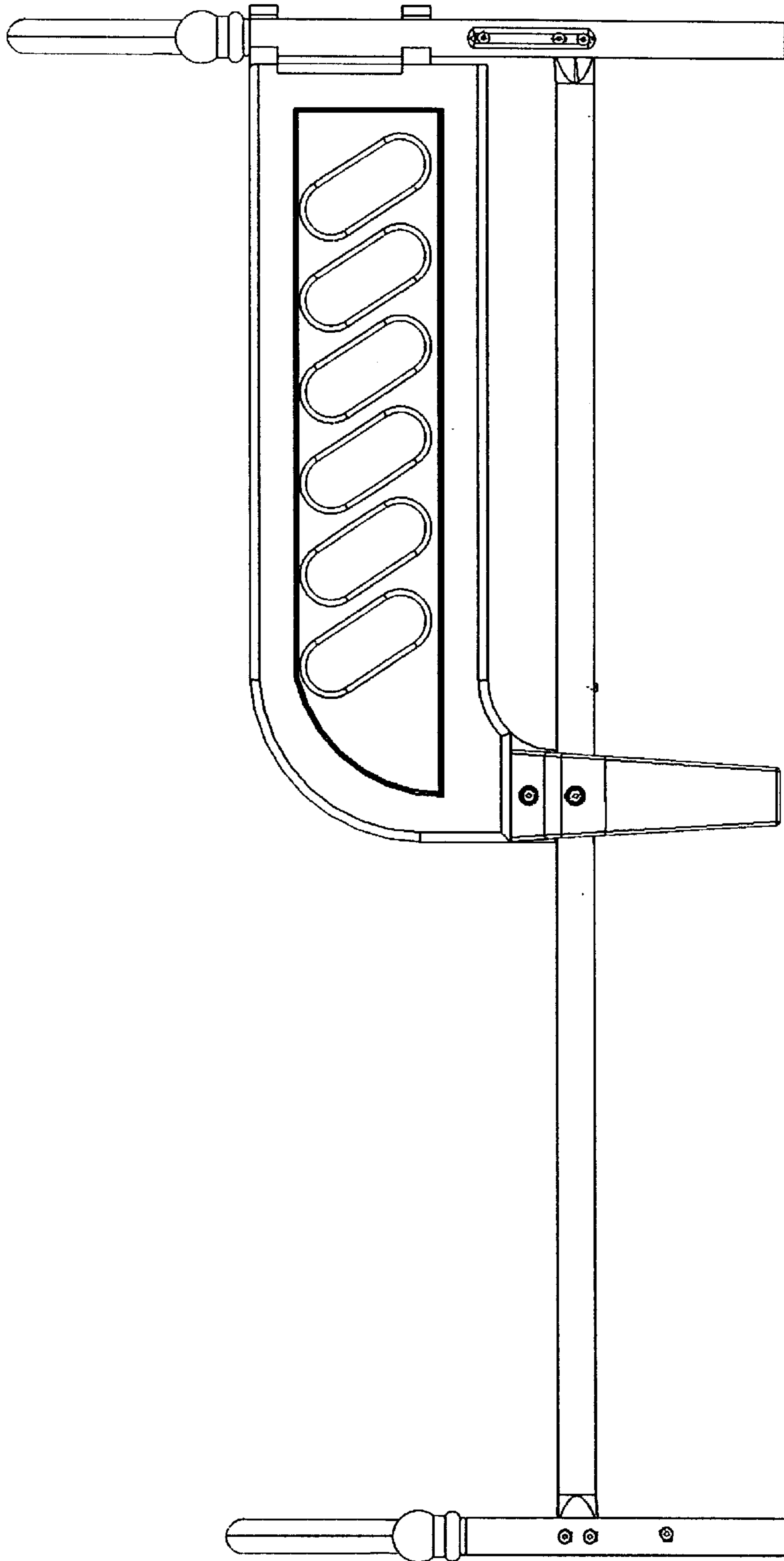


Fig. 2

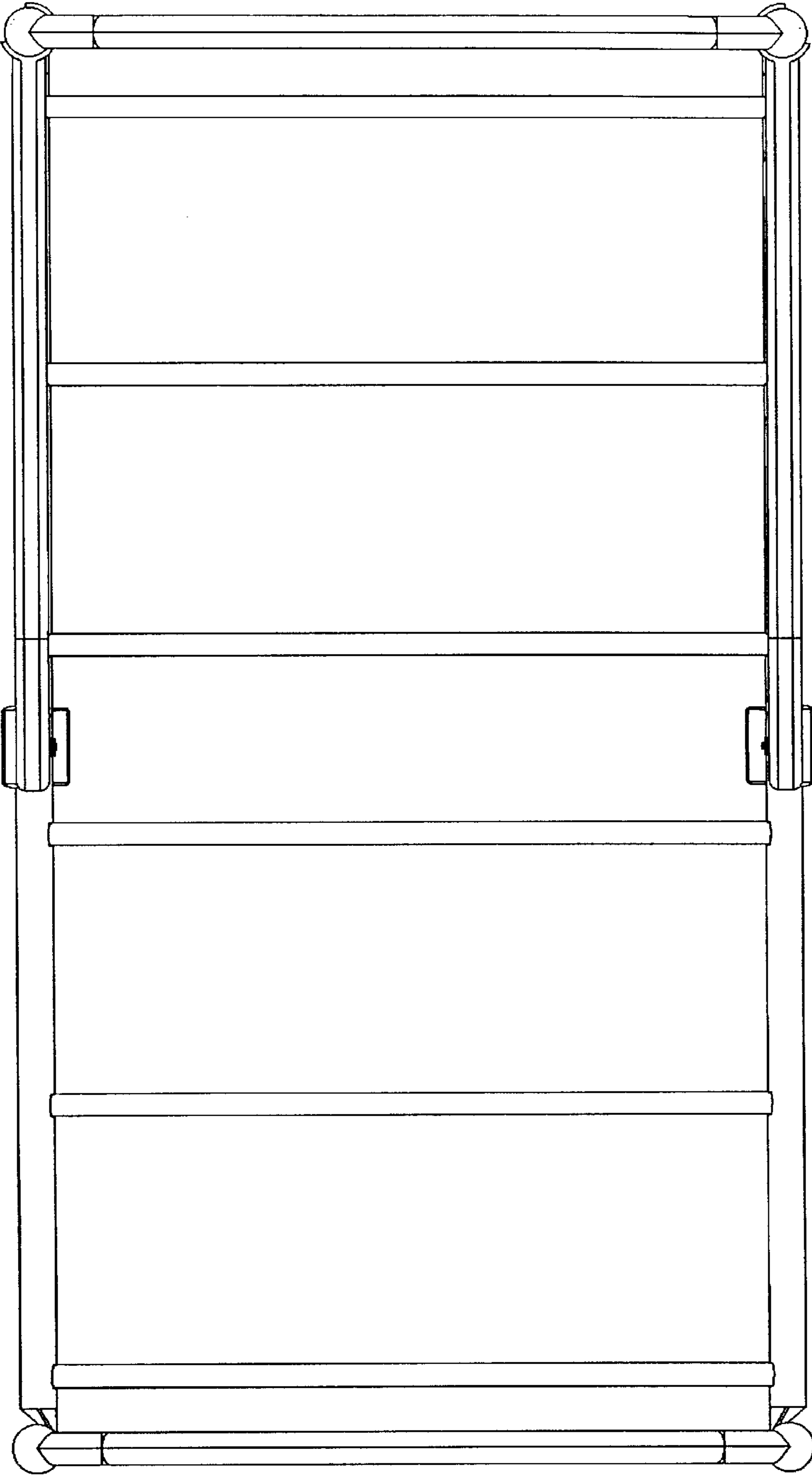


Fig. 3

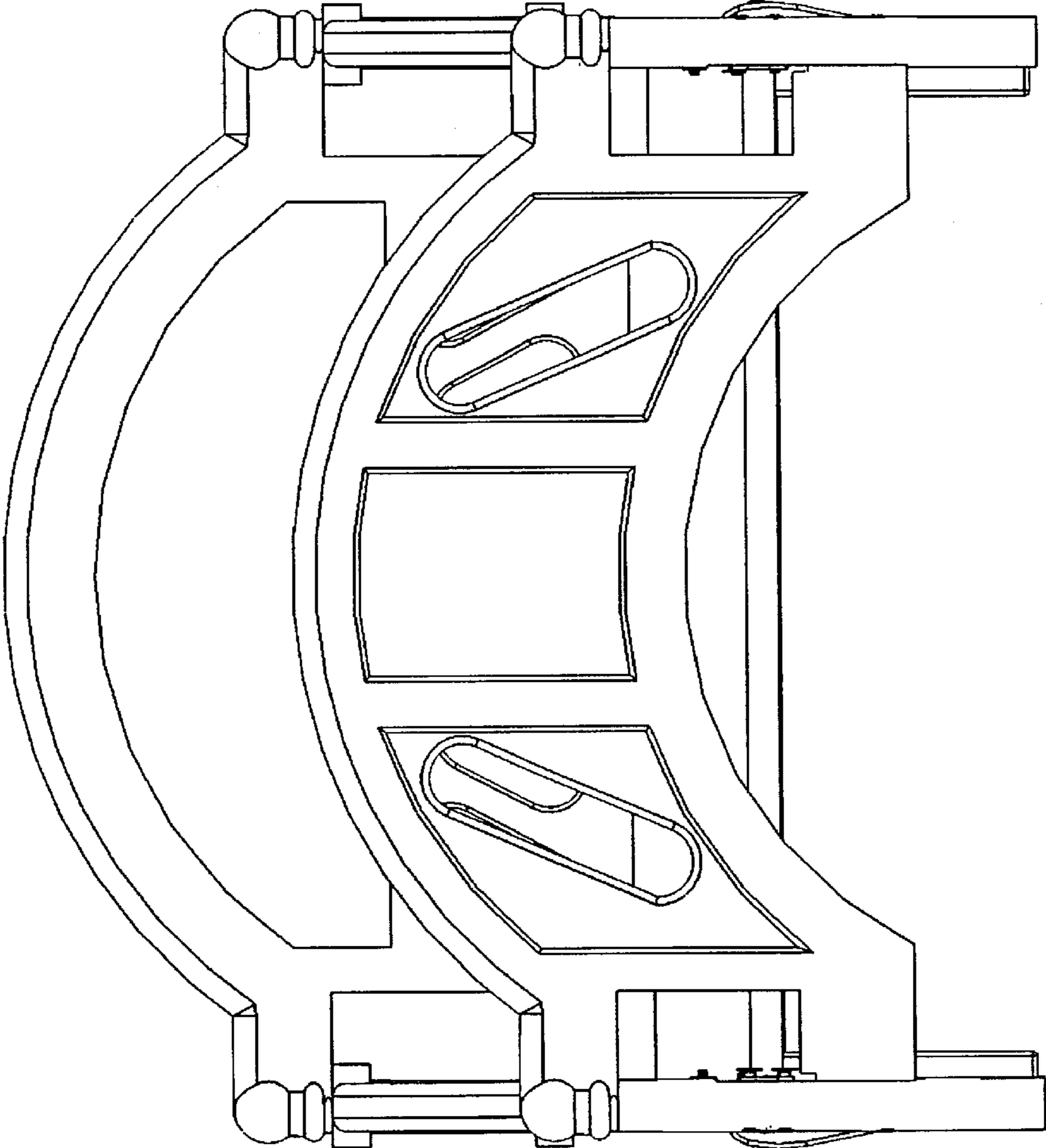


Fig. 4

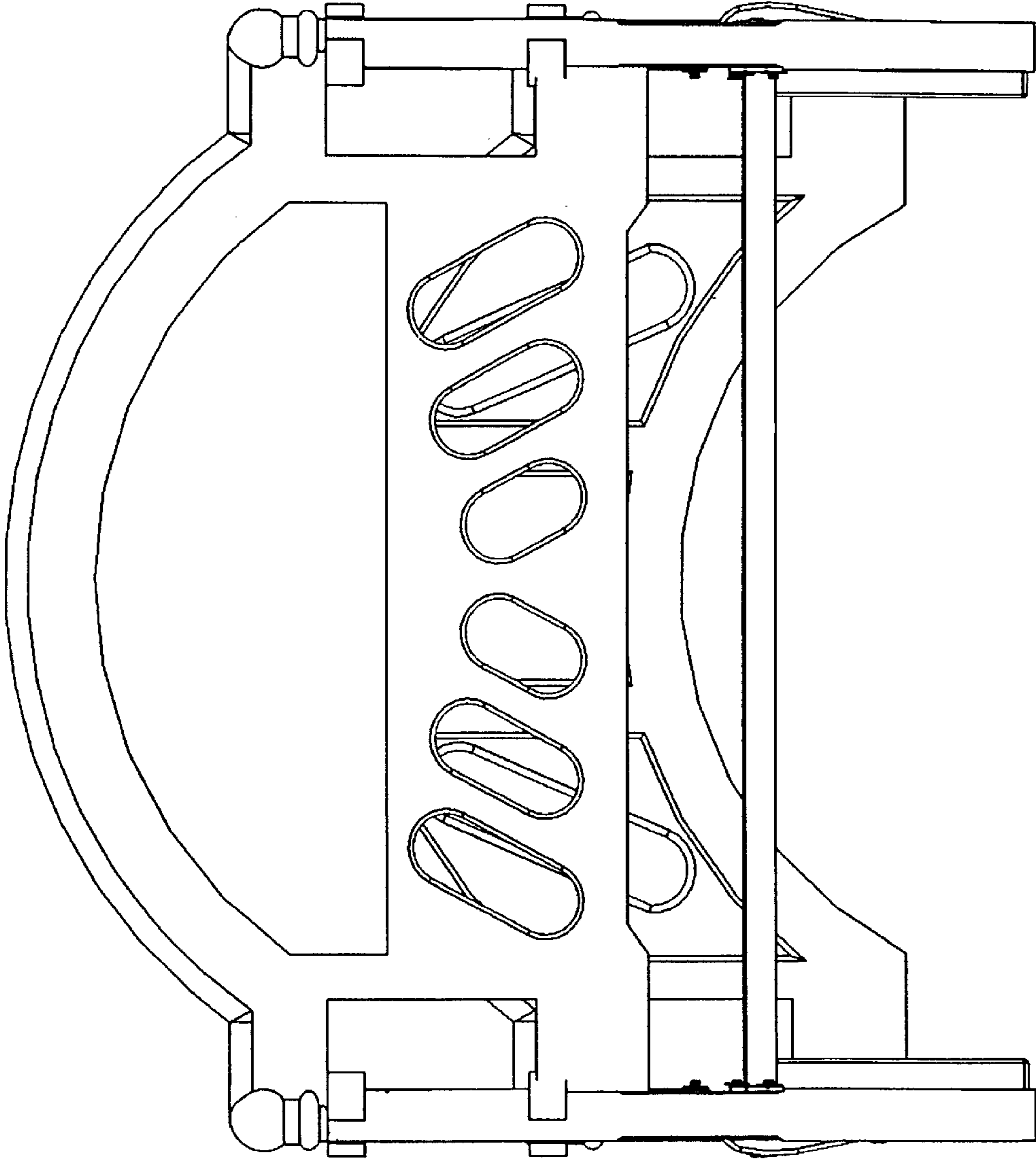


Fig. 5

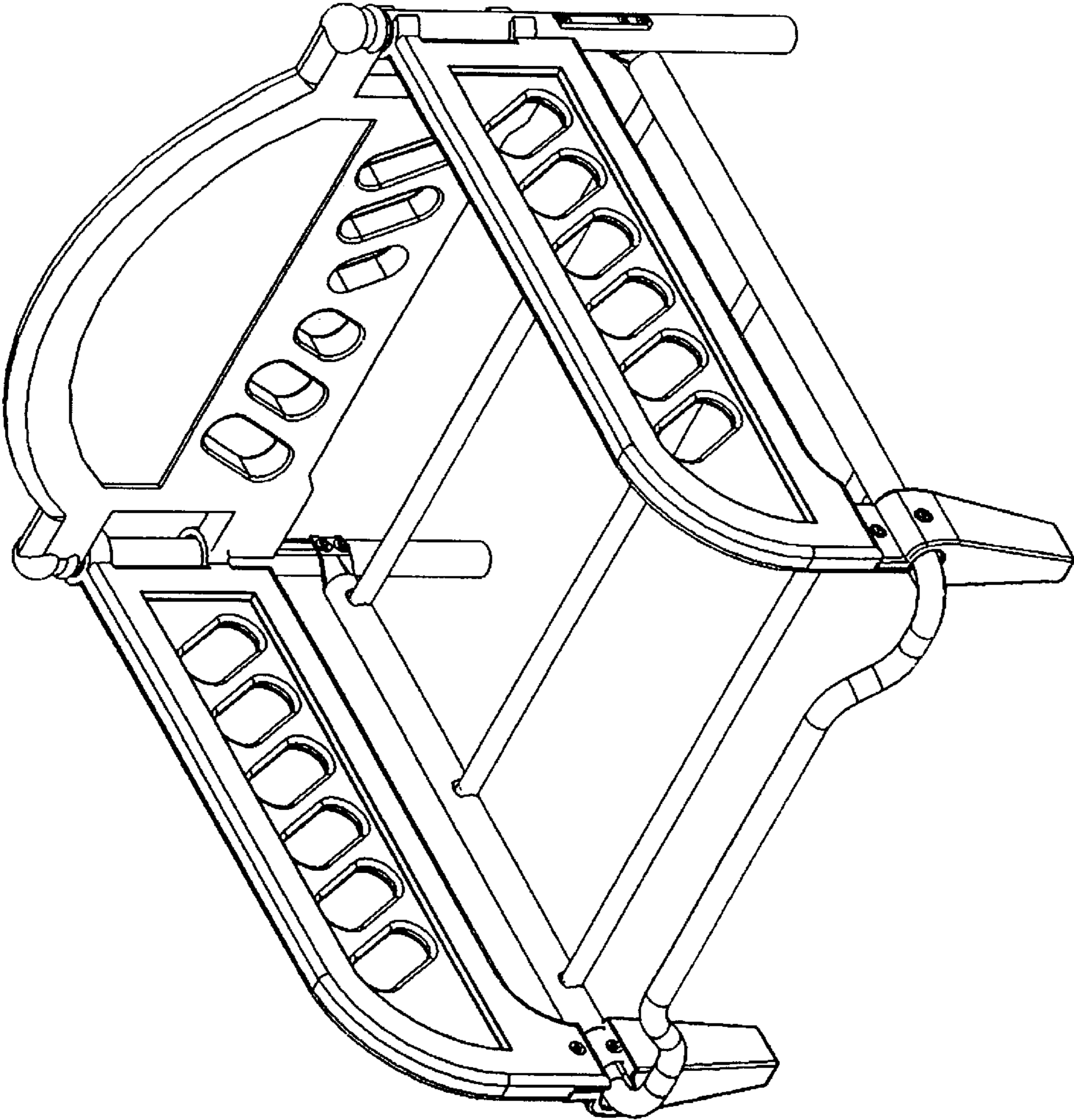


Fig. 6

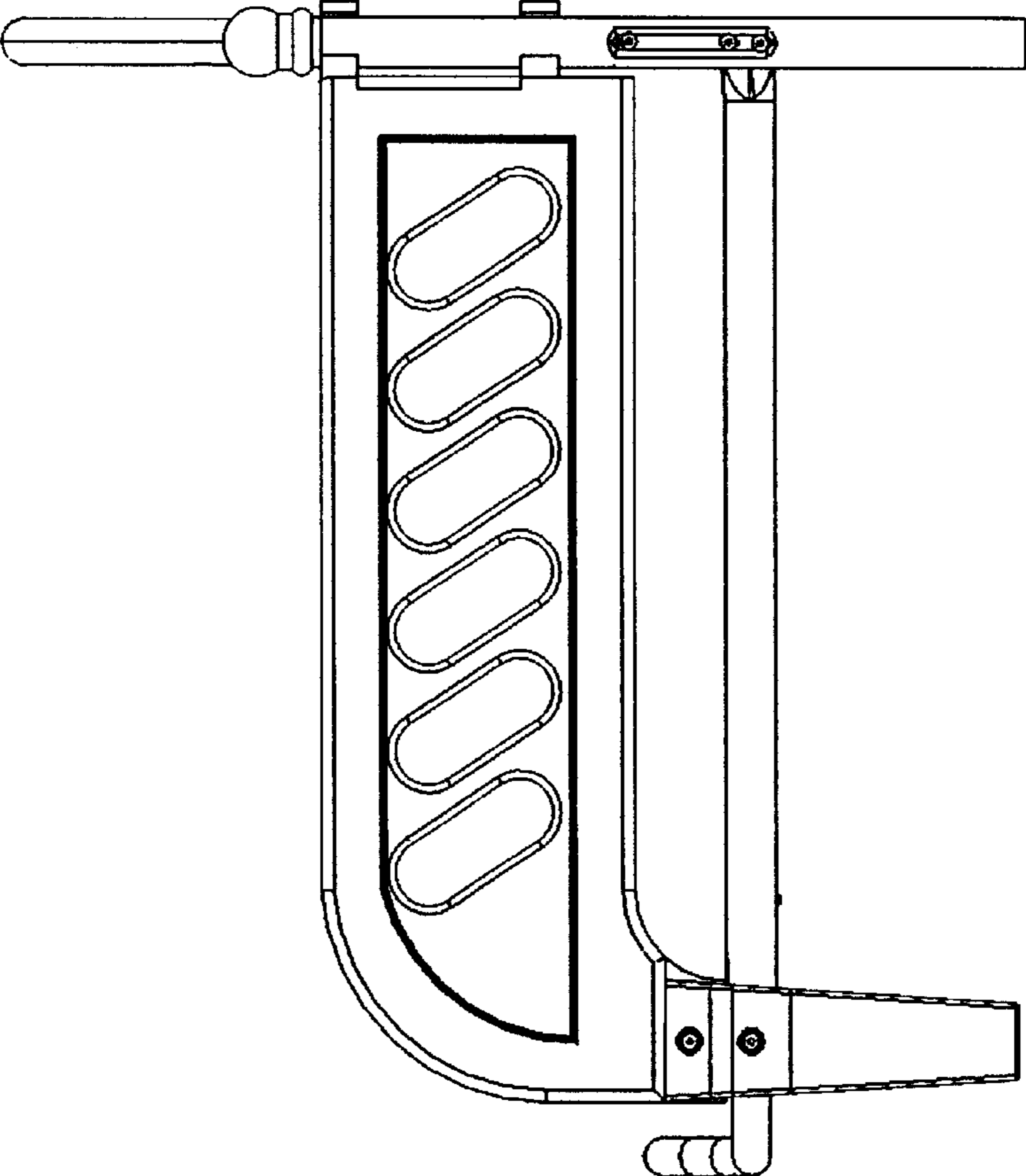


Fig. 7

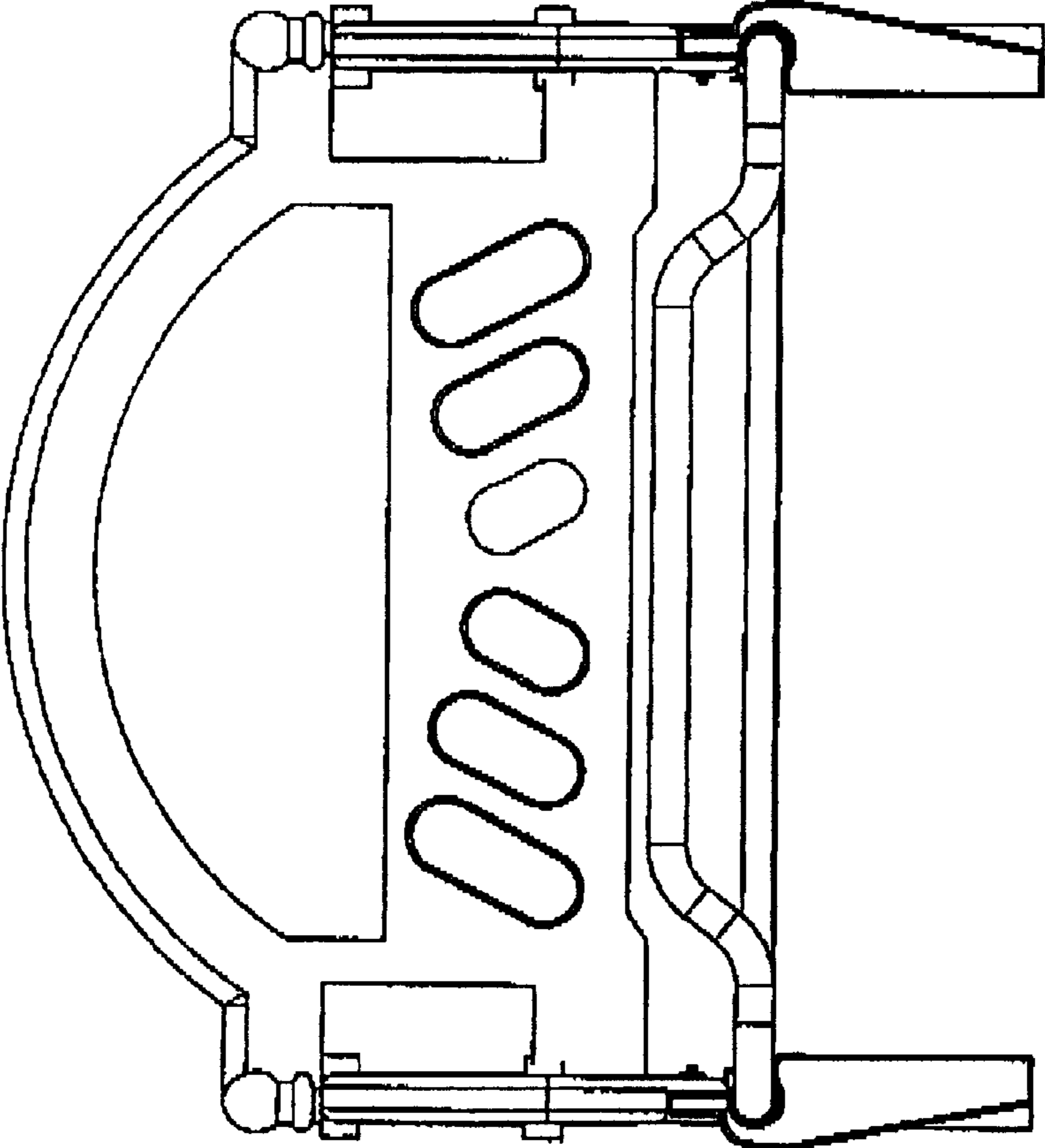


Fig. 8

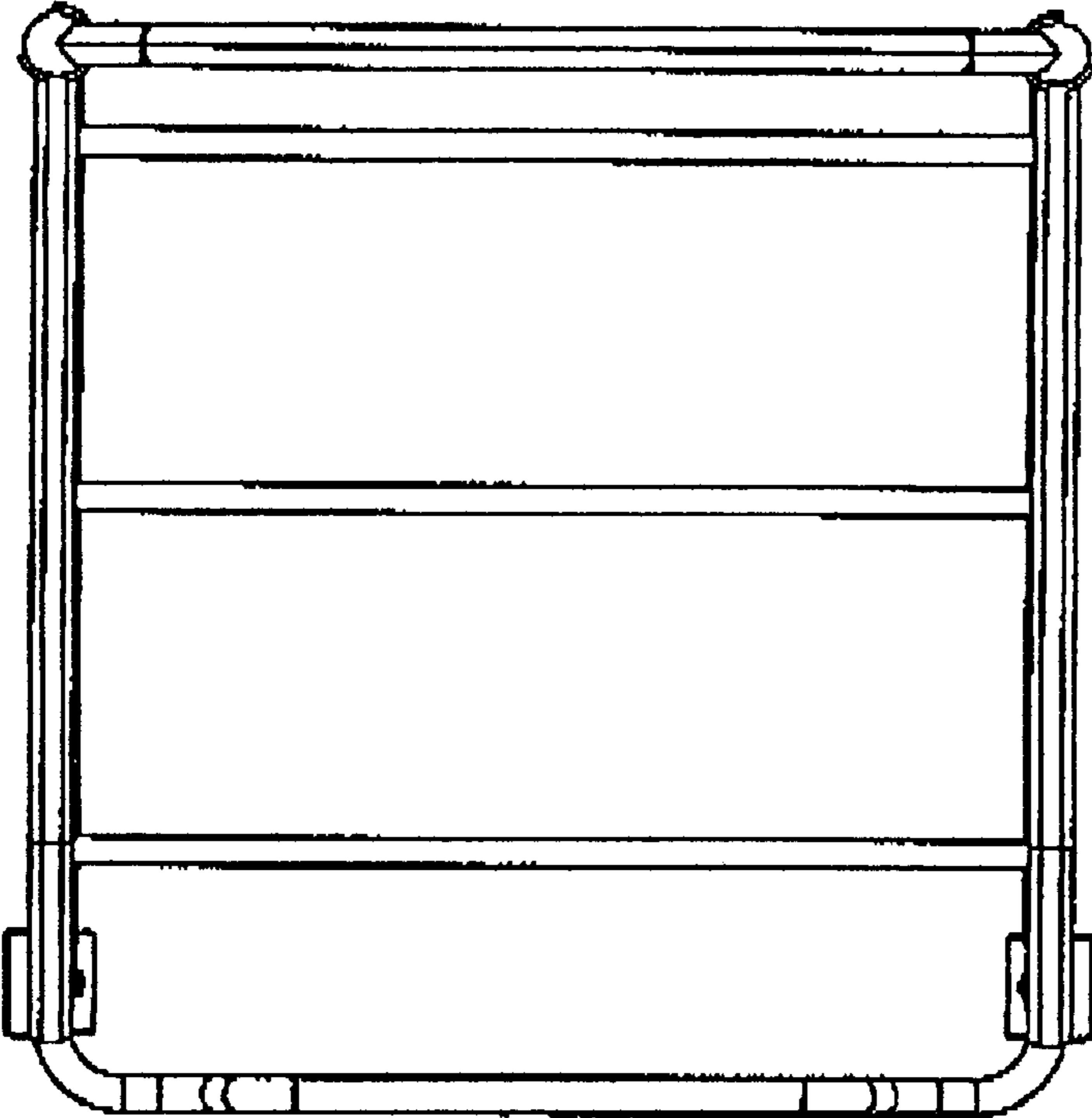


Fig. 9

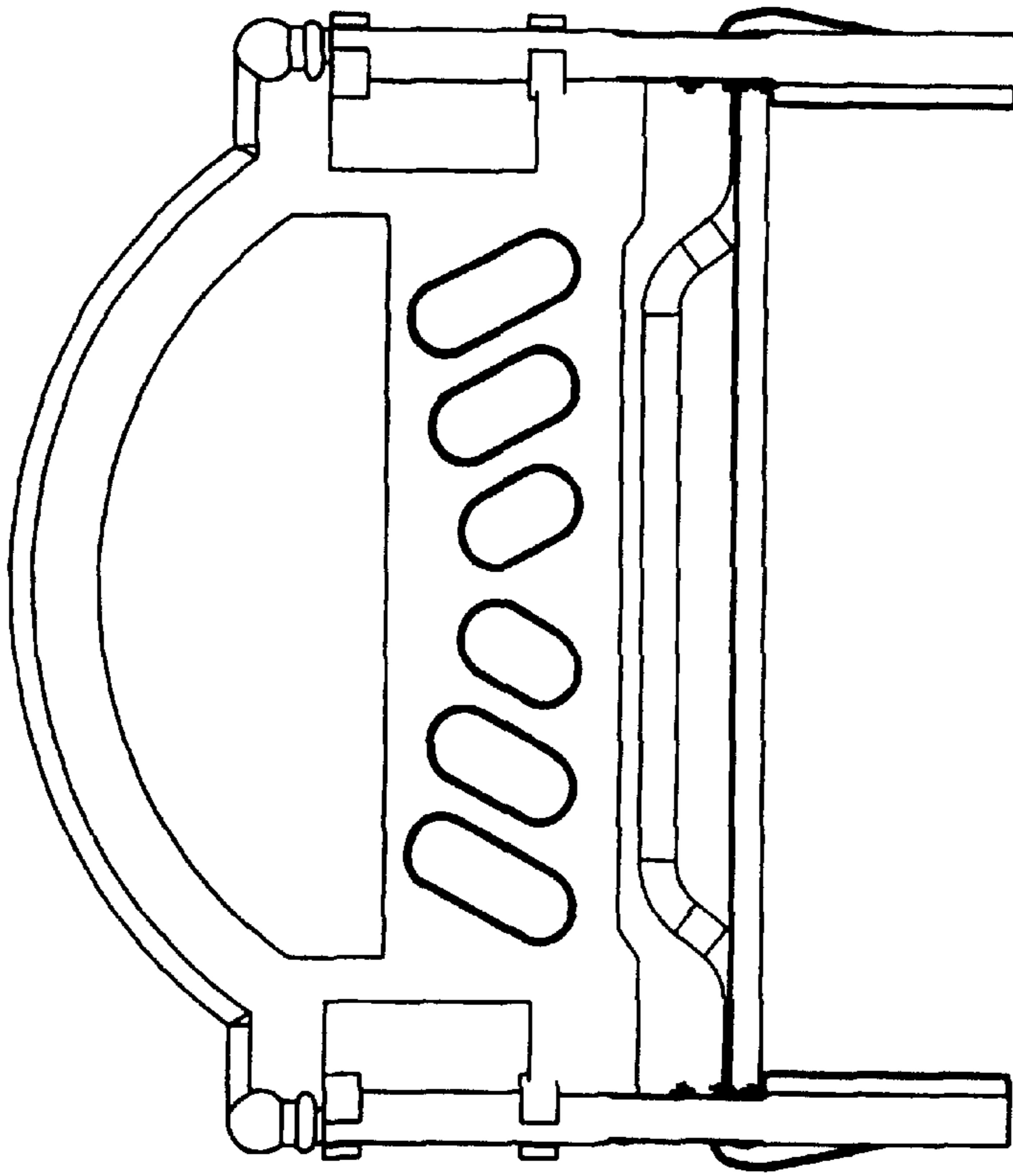


Fig. 10