

US00D507123S

(12) **United States Design Patent**
Lee

(10) **Patent No.:** **US D507,123 S**
(45) **Date of Patent:** **** Jul. 12, 2005**

(54) **FURNITURE PIECE**

(75) Inventor: **Steve Lee**, Chicago, IL (US)

(73) Assignee: **LumiSource, Inc.**, Elk Grove Village, IL (US)

(**) Term: **14 Years**

(21) Appl. No.: **29/200,075**

(22) Filed: **Feb. 23, 2004**

Related U.S. Application Data

(63) Continuation-in-part of application No. 10/744,940, filed on Dec. 23, 2003.

(51) **LOC (8) Cl.** **06-01**

(52) **U.S. Cl.** **D6/358**

(58) **Field of Search** D6/334-336, 349, D6/351, 353, 358, 361, 364, 368, 371-375, 500-502; 297/181, 248.1, 452.17; D14/130, 138, 143

(56) **References Cited**

U.S. PATENT DOCUMENTS

D226,153 S * 1/1973 Sigona D6/361
3,742,526 A * 7/1973 Lillard 297/452.17
D335,035 S * 4/1993 Floyd D6/361
D372,803 S * 8/1996 Tucker D6/359

D374,994 S * 10/1996 Loader D6/359
D396,757 S * 8/1998 Katz et al. D6/361
D422,154 S * 4/2000 Lieberman et al. D6/358

* cited by examiner

Primary Examiner—Mimosa De

(74) *Attorney, Agent, or Firm*—Pauley Petersen & Erickson

(57) **CLAIM**

The ornamental design for a furniture piece, as shown and described.

DESCRIPTION

FIG. 1 is a front perspective view of a furniture piece; FIG. 2 is a front view of the furniture piece, as shown in FIG. 1;

FIG. 3 is a rear view of the furniture piece, as shown in FIG. 1;

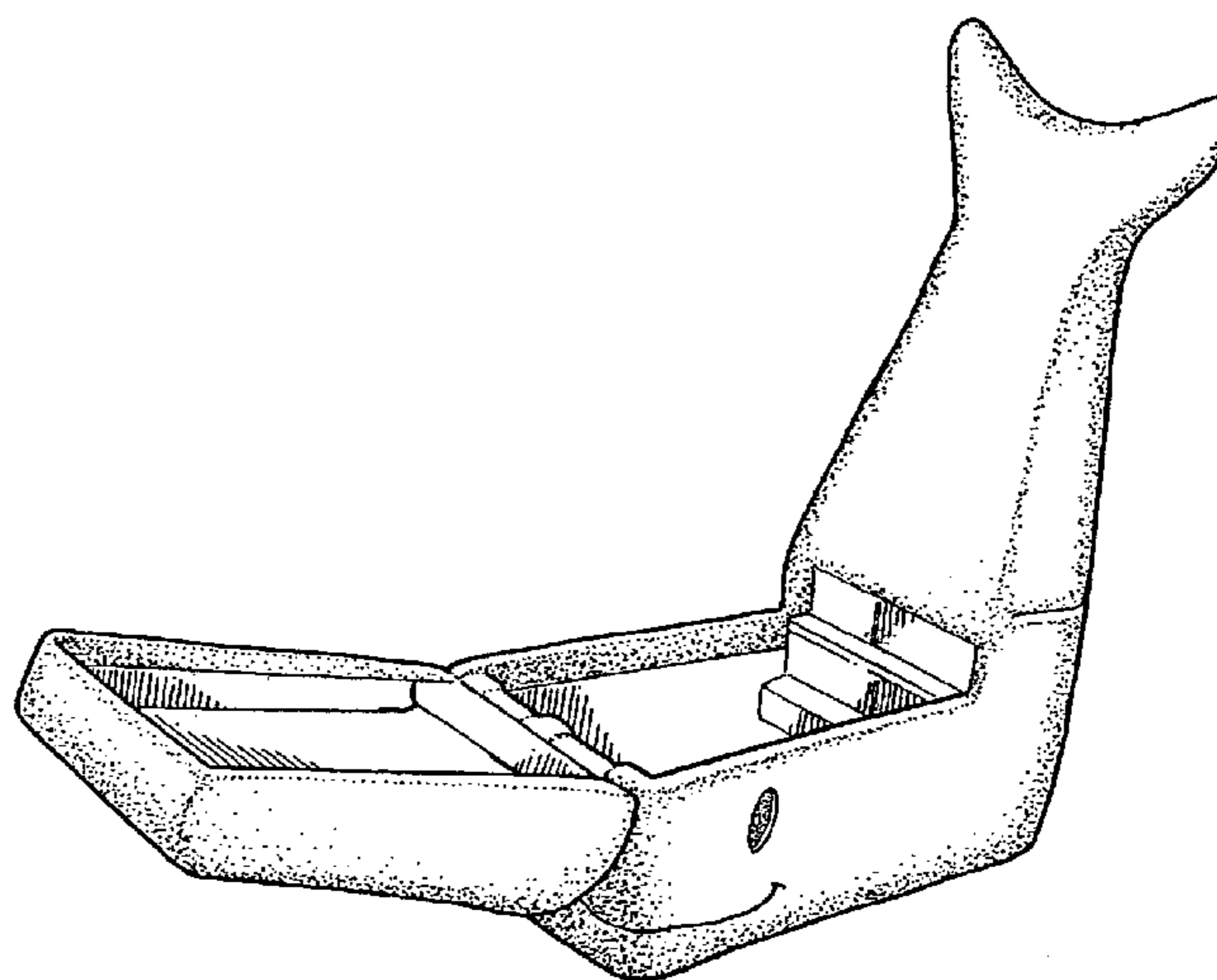
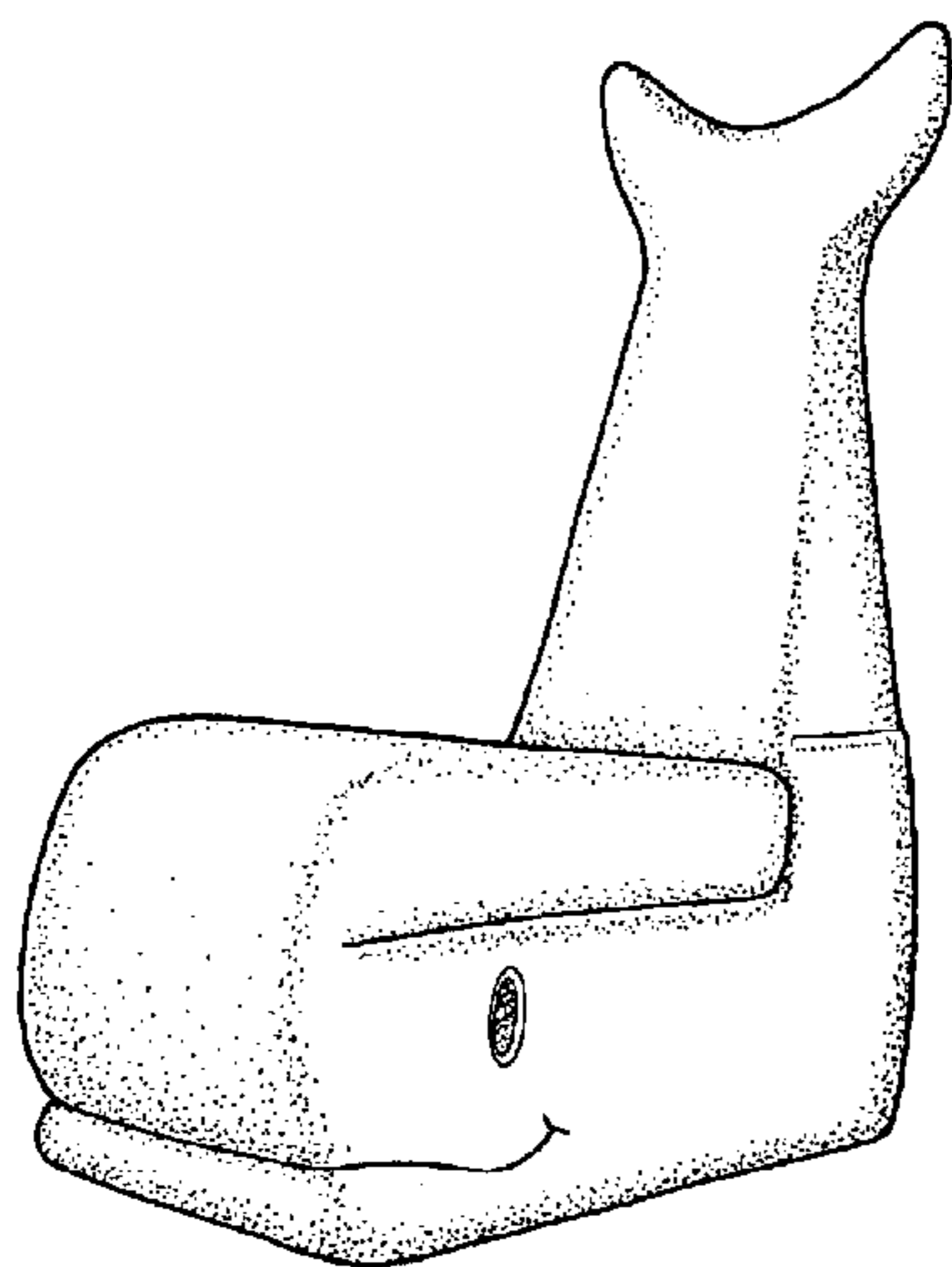
FIG. 4 is a side view, which is a mirror image of the opposite side view, of the furniture piece, as shown in FIG. 1;

FIG. 5 is a top view of the furniture piece, as shown in FIG. 1;

FIG. 6 is a front perspective view of the furniture piece, with a seat portion in an open position, as shown in FIG. 1; and,

FIG. 7 is a front perspective view of the furniture piece, with the seat portion in a closed position and a back portion in a folded-down position, as shown in FIG. 1.

1 Claim, 7 Drawing Sheets



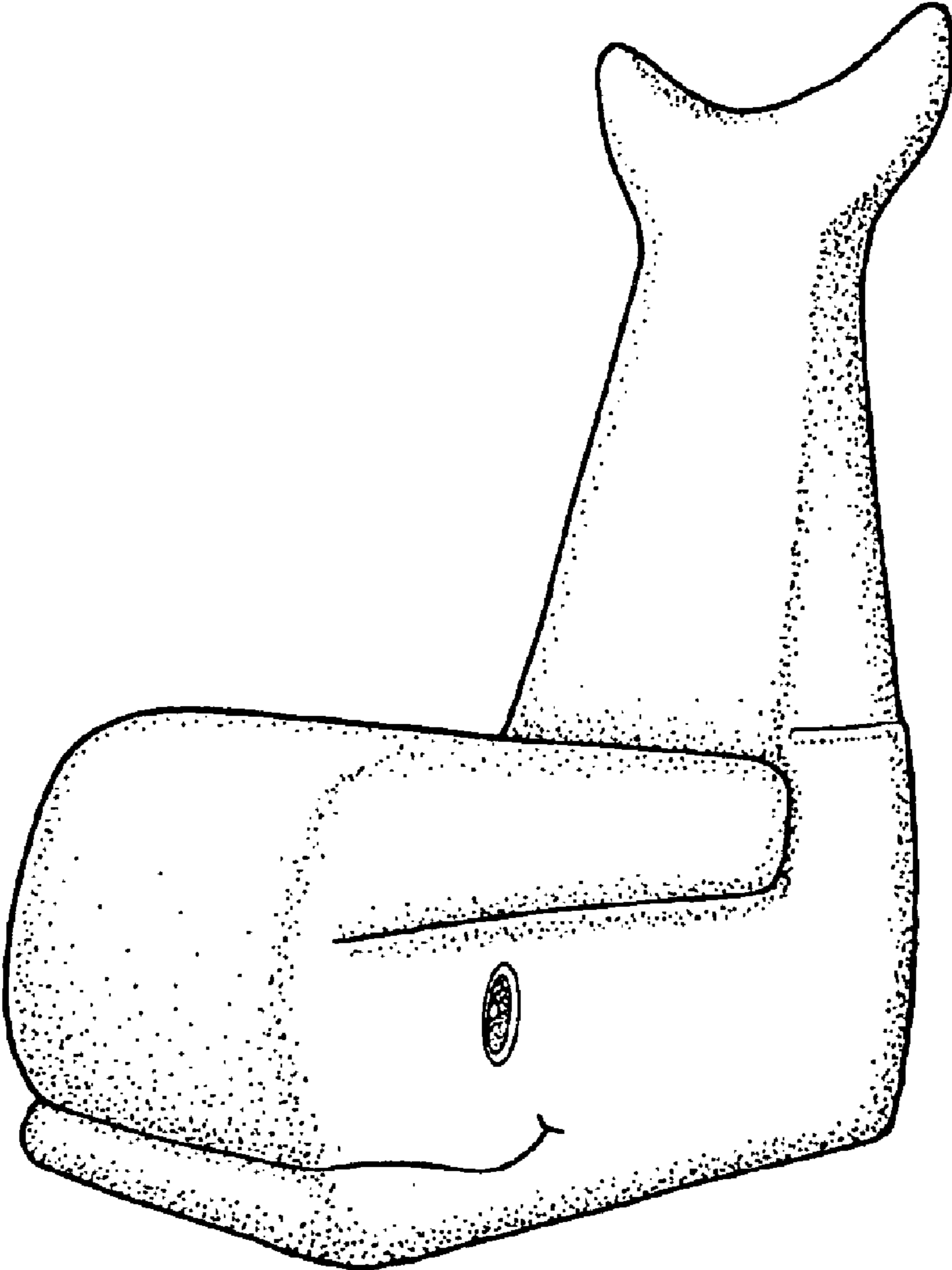


FIG. 1

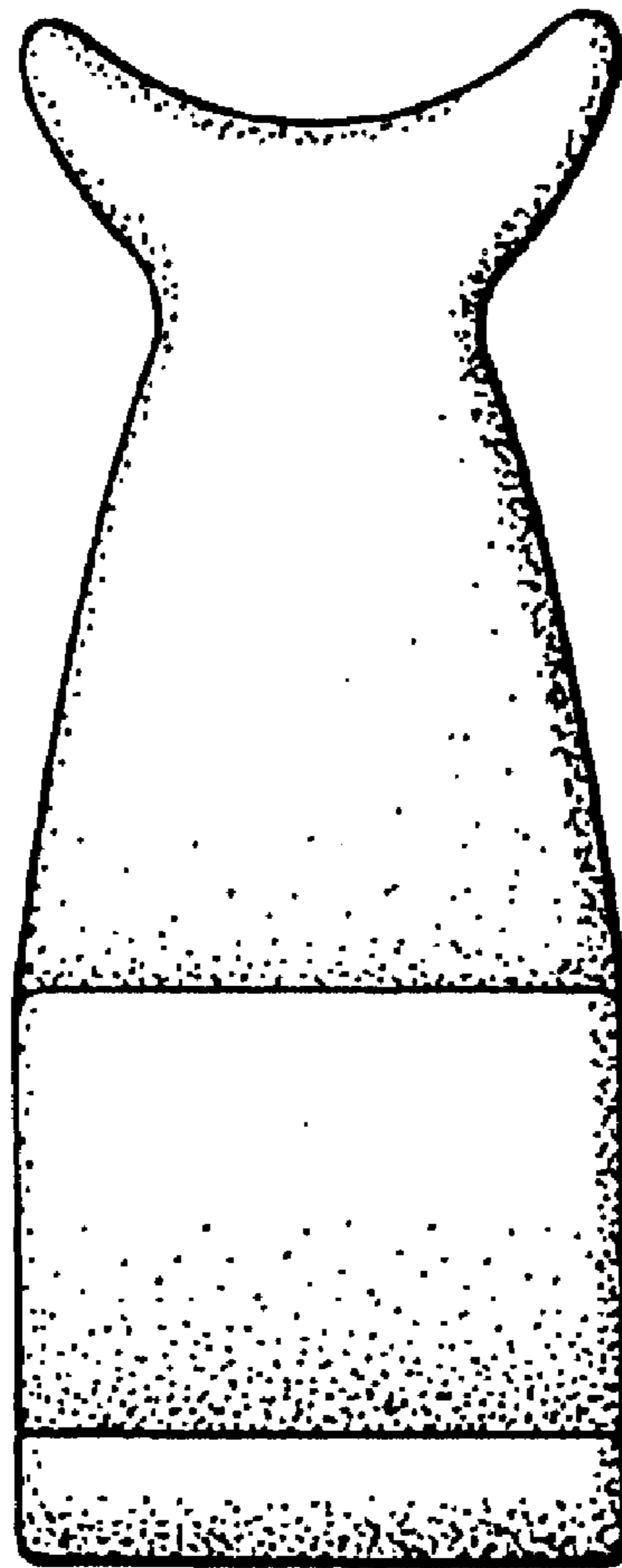


FIG. 2

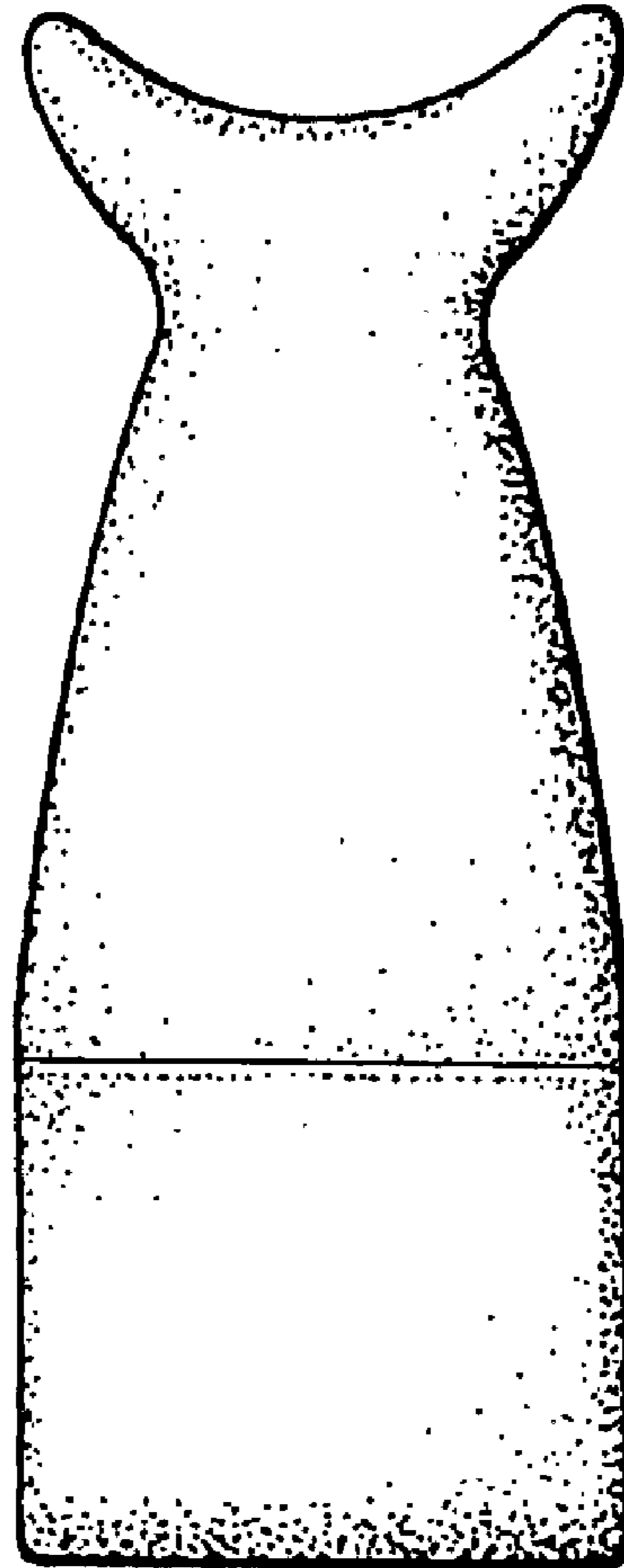


FIG. 3

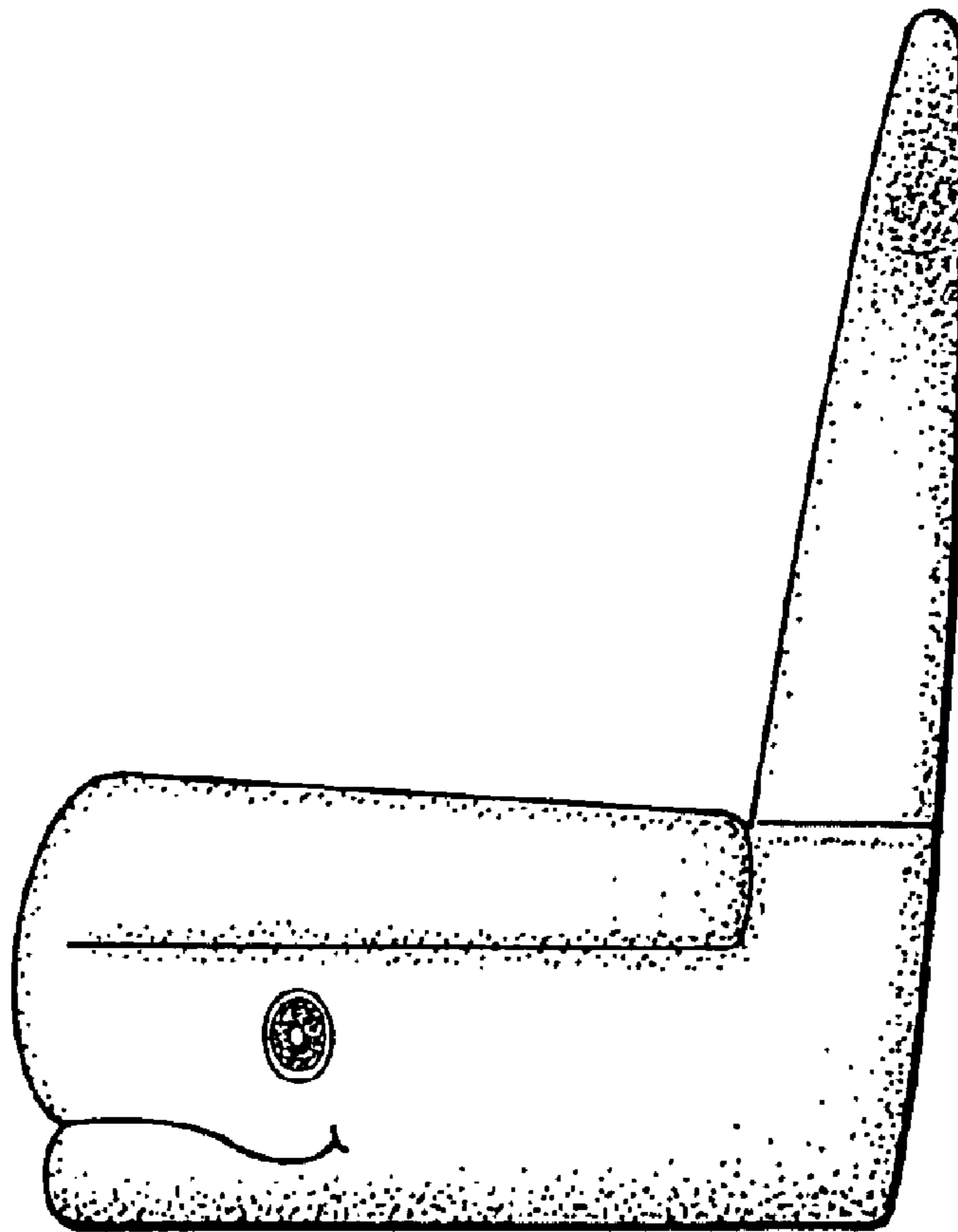


FIG. 4

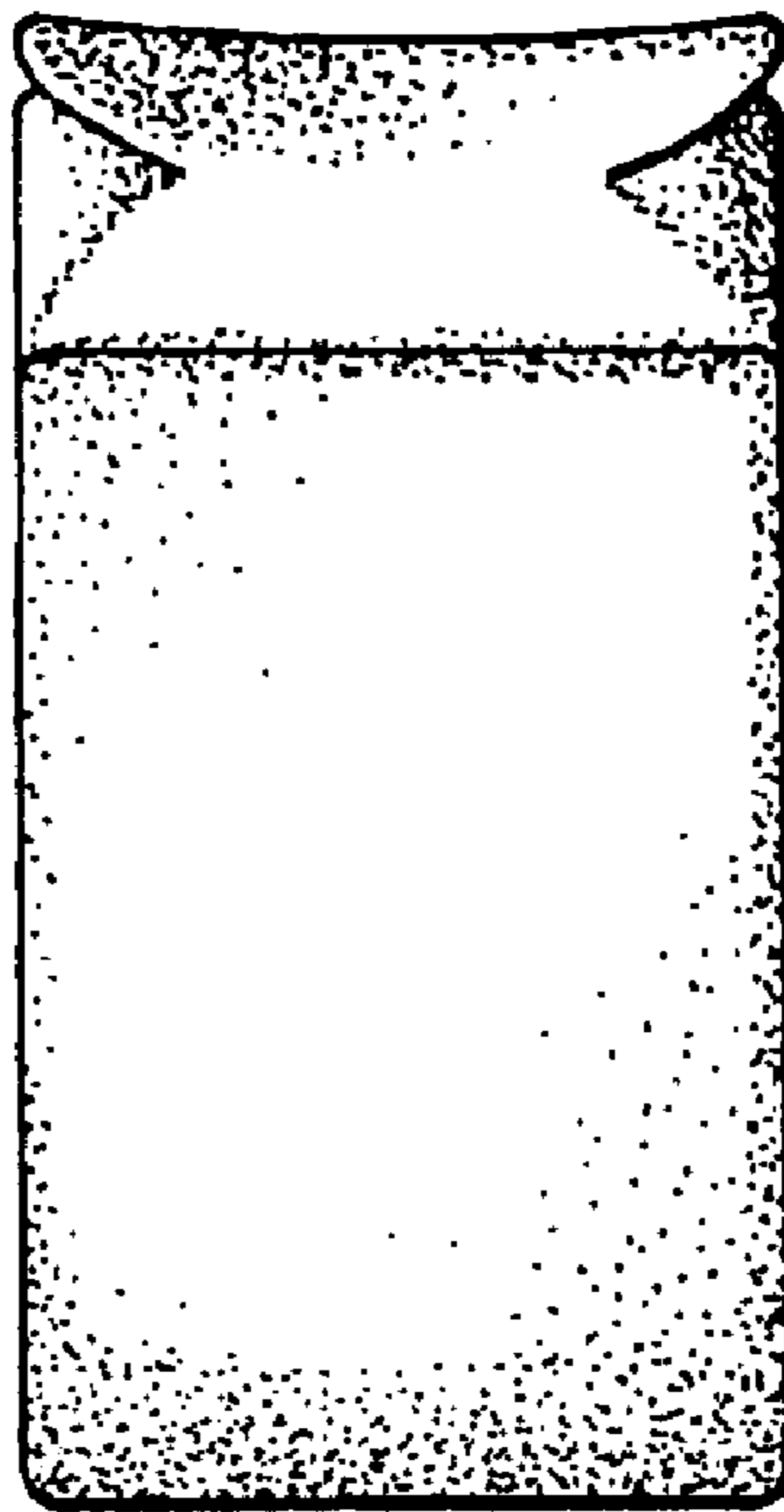


FIG. 5

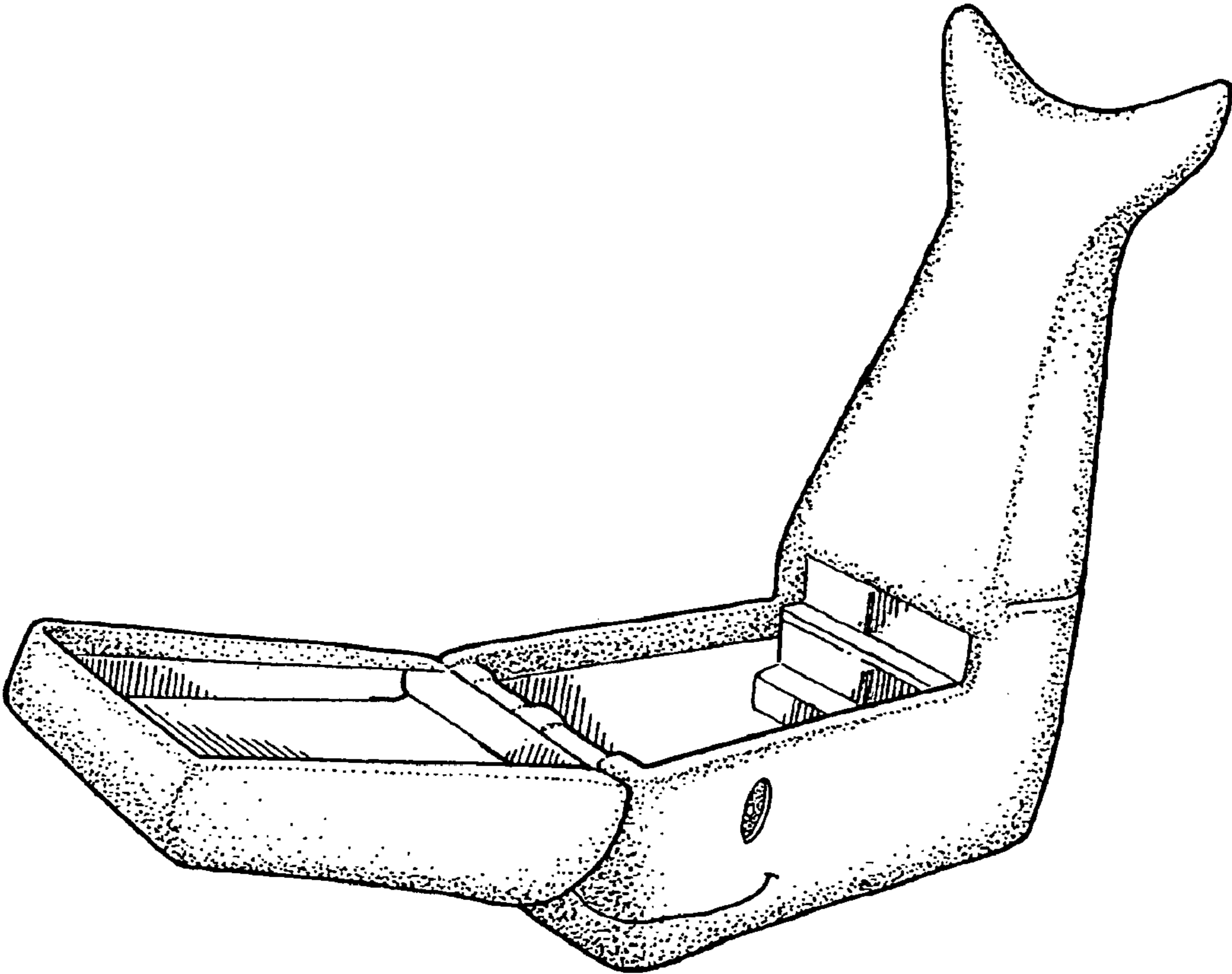


FIG.6

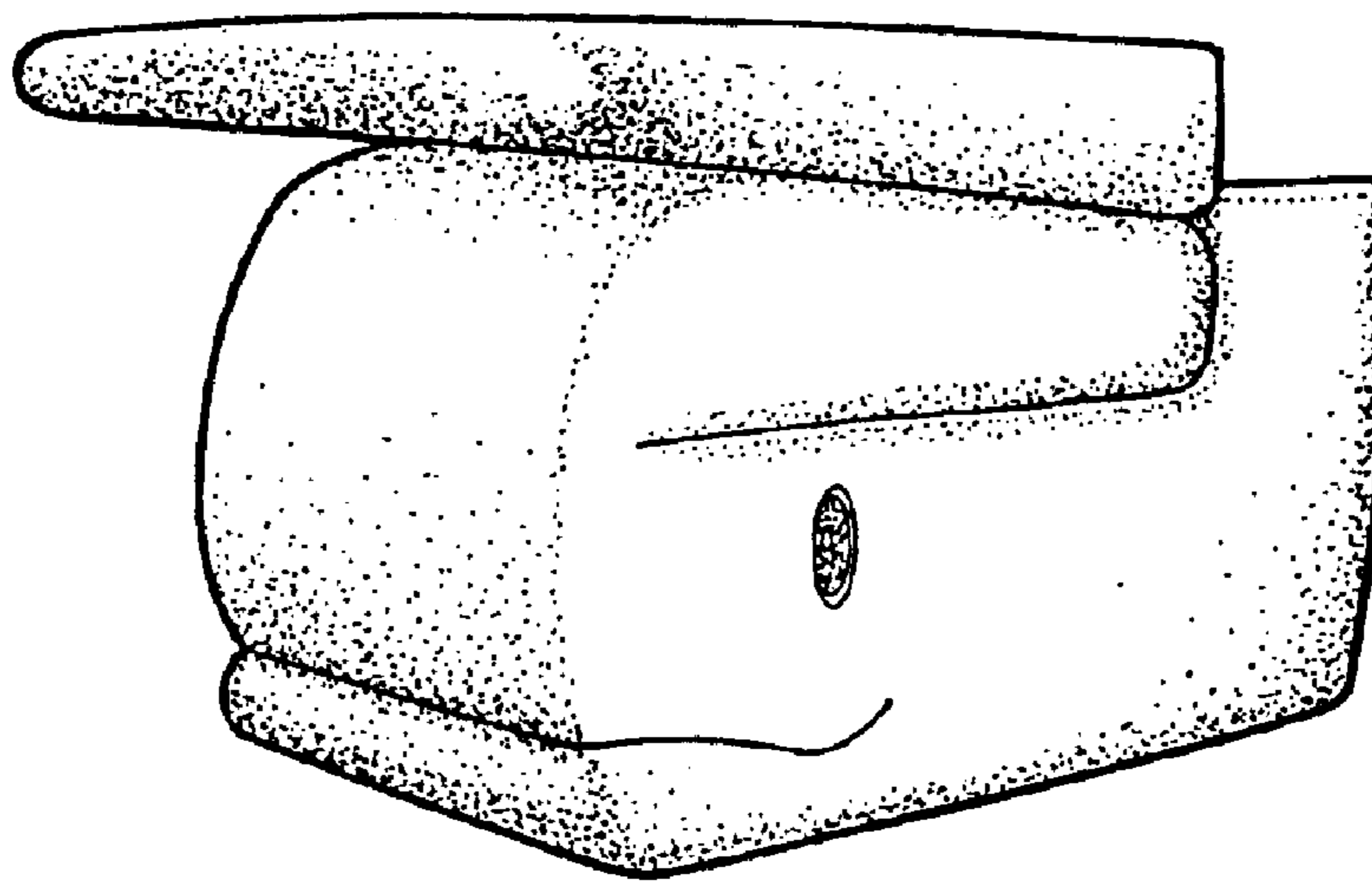


FIG. 7